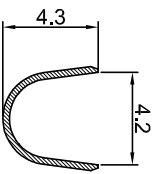


CONTACT ORIENTATION ON ROLL

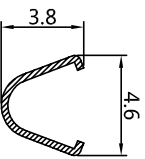
NOTES : (UNLESS OTHERWISE SPECIFIED)

1. MATERIAL :
 - 1.1. CONTACT BODY : COPPER ALLOY.
 - 1.2. OUTER SPRING : STAINLESS STEEL.
2. SPECIFICATIONS :
 - 2.1 CURRENT RATING : 23A MAX.
 - 2.2 TERMINATION TYPE : CRIMPING.
 - 2.3 WIRE RANGE : 14~12AWG.
 - 2.4 WIRE INSULATION DIA(MAX) : ϕ 4.3mm.
3. ROHS COMPLIANT.
4. ALL DIMENSIONS ARE FOR REFERENCE USE ONLY.

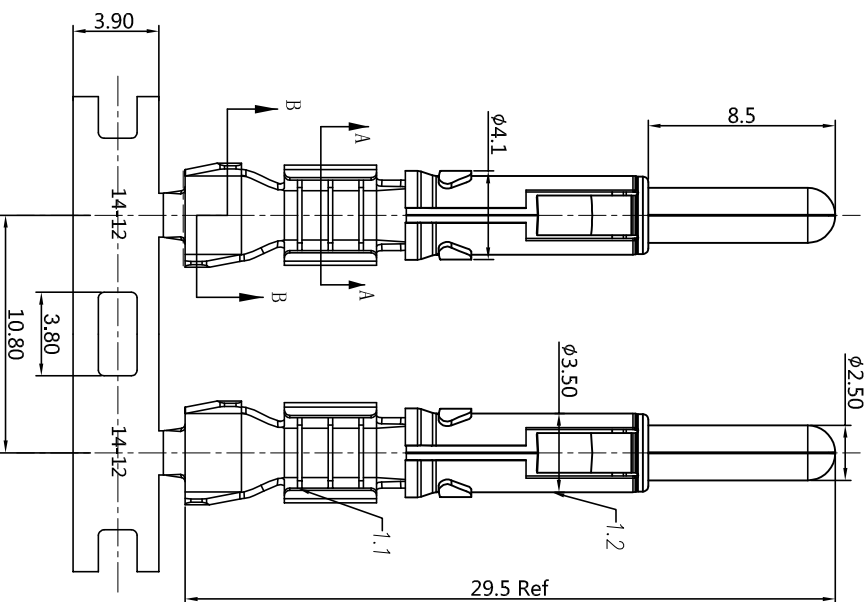
P/N	CONTACT PLATING(MATING AREA)
SP12A1T	TIN PLATING OVER NICKEL.
SP12A1F	GOLD FLASH PLATING OVER NICKEL.
SP12A1G10	10 μ "GOLD PLATING OVER NICKEL.
SP12A1G15	15 μ "GOLD PLATING OVER NICKEL.
SP12A1G30	30 μ "GOLD PLATING OVER NICKEL.



SECTION B-B



SECTION A-A



REVISIONS					
REV	ECO	DESCRIPTION	DATE	BY	APPR
B1	-	RELEASED DRAWING	JAN-18-2014	ARROW	TOMMY
B2	-	UPDATE DRAWING	NOV-09-2016	FLAN	TOMMY

QUANTITY	PART NUMBER	DESCRIPTION	ITEM
		MATERIALS LIST	
<p>UNLESS OTHERWISE SPECIFIED</p> <p>1) All dimensions are in millimeters. 2) Tolerances are as follows: 1 Pt. DEC 20.30 Fractions .1754 3 Pt. DEC 20.08</p> <p>3) Note reference = Δ</p>			
<p>SIGNATURES DATE</p> <p>DRAWN: FLN No-02/06</p> <p>CREATED: TDD No-02/06</p> <p>ENGINEER: TOMMY</p> <p>APPROVAL: TOMMY No-02/06</p> <p>CUSTOMER: ECO-MATE</p>		<p>THIS DRAWING IS SUBJECT TO THE SPECIFICATIONS AND PERFORMANCE DATA OF THE AMPHENOL CORPORATION. NO PARTS OF REPRODUCTION ARE PERMITTED. ALL MANUFACTURING VARIATIONS SHALL BE ACCEPTED.</p>	
<p>Next Ass'y:</p>		<p>SIZE TYPE: B C-</p> <p>DWG NO: SP12A1XX</p> <p>REVISION: B2</p>	
<p>STAMPED: 14-12AWG, 2.5mm CONTACT</p> <p>ECO-MATE PIN CONTACT.</p> <p>Site Systems - www.amphenol-sine.com 44724 Morley Drive Clinton Township, MI 48036</p>			