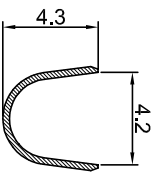


CONTACT ORIENTATION ON ROLL

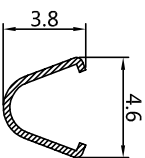
NOTES : (UNLESS OTHERWISE SPECIFIED)

1. MATERIAL :
 - 1.1. CONTACT BODY : COPPER ALLOY.
 - 1.2. OUTER SPRING : STAINLESS STEEL.
2. SPECIFICATIONS :
 - 2.1 CURRENT RATING : 23A MAX.
 - 2.2 TERMINATION TYPE : CRIMPING.
 - 2.3 WIRE RANGE : 14~12AWG.
 - 2.4 WIRE INSULATION DIA(MAX) : ϕ 4.3mm.
3. ROHS COMPLIANT.
4. ALL DIMENSIONS ARE FOR REFERENCE USE ONLY.

P/N	CONTACT PLATING(MATING AREA)
SP12A1T	TIN PLATING OVER NICKEL.
SP12A1F	GOLD FLASH PLATING OVER NICKEL.
SP12A1G10	10 μ "GOLD PLATING OVER NICKEL.
SP12A1G15	15 μ "GOLD PLATING OVER NICKEL.
SP12A1G30	30 μ "GOLD PLATING OVER NICKEL.

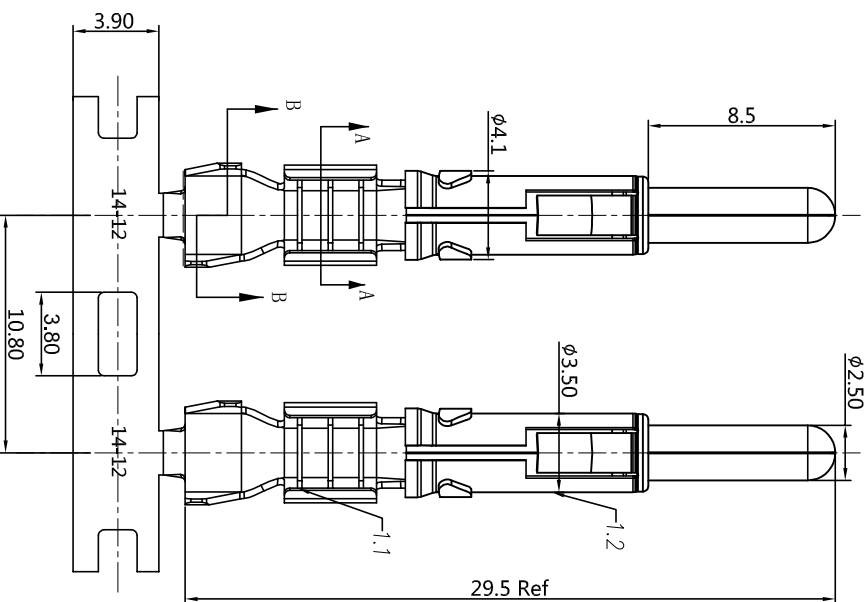


SECTION B-B



SECTION A-A

REVISIONS					
REV	ECO	DESCRIPTION	DATE	BY	APPR
B1	-	RELEASED DRAWING	JAN-18-2014	ARROW	TOMMY
B2	-	UPDATE DRAWING	NOV-09-2016	FLAN	TOMMY



QUANTITY	PART NUMBER	DESCRIPTION	ITEM
		MATERIALS LIST	

UNLESS OTHERWISE SPECIFIED TYPICAL DIMENSIONS ARE IN MILLIMETERS. 2) Tolerances are as follows: 1 PL, DEC 240.30 Fractions .1"=1/4 3 PL, DEC 240.08 Angles .1°		SIGNATURES	DATE
DRAWN: FLN		NOV-09-2016	
CHECKED: TDD		NOV-09-2016	
ENGINEER: TOMMY			
APPROVAL: TOMMY		NOV-09-2016	
MATERIAL SPECIFICATIONS:		CUSTOMER: TOMMY	
PROCESS SPECIFICATIONS:			
NEXT ASSY:			
TEST DRAWINGS SUPERSEDES PREVIOUS EDITIONS. SPECIFICATIONS AND PERFORMANCE DATA ARE THE PROPERTY OF AMPHENOL. REPRODUCTION OR MODIFICATION WITHOUT THE WRITTEN PERMISSION OF AMPHENOL IS PROHIBITED. ALL DIMENSIONS ARE IN MILLIMETERS UNLESS OTHERWISE SPECIFIED.		SIZE: B	TYPE: C-
SCALE: NONE		DWG NO: SP12A1XX	REVISION: B2
SHEET: 1 OF 1		Amphenol Site Systems - www.amphenol-site.com 44724 Morley Drive Clinton Township, MI 48036 ECO-MATE PIN CONTACT, STAMPED, 14-12AWG, 2.5mm CONTACT	

TTITLE:

ECO-MATE, PINS CONTACT, STAMPED, 14-12AWG, 2.5mm

DWG NO:

SP12A1XX

REV:

B2

SHEET:

1

OF:

1