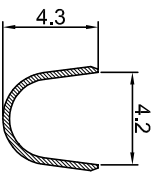


CONTACT ORIENTATION ON ROLL

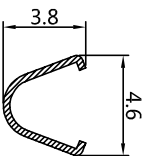
NOTES : (UNLESS OTHERWISE SPECIFIED)

1. MATERIAL :
  - 1.1. CONTACT BODY : COPPER ALLOY.
  - 1.2. OUTER SPRING : STAINLESS STEEL.
2. SPECIFICATIONS :
  - 2.1. CURRENT RATING : 23A MAX.
  - 2.2. TERMINATION TYPE : CRIMPING.
  - 2.3. WIRE RANGE : 14~12AWG.
  - 2.4. WIRE INSULATION DIA(MAX) :  $\phi$ 4.3mm.
3. ROHS COMPLIANT.
4. ALL DIMENSIONS ARE FOR REFERENCE USE ONLY.

P/N	CONTACT PLATING(MATING AREA)
SP12A1T	TIN PLATING OVER NICKEL.
SP12A1F	GOLD FLASH PLATING OVER NICKEL.
SP12A1G10	10 $\mu$ "GOLD PLATING OVER NICKEL.
SP12A1G15	15 $\mu$ "GOLD PLATING OVER NICKEL.
SP12A1G30	30 $\mu$ "GOLD PLATING OVER NICKEL.

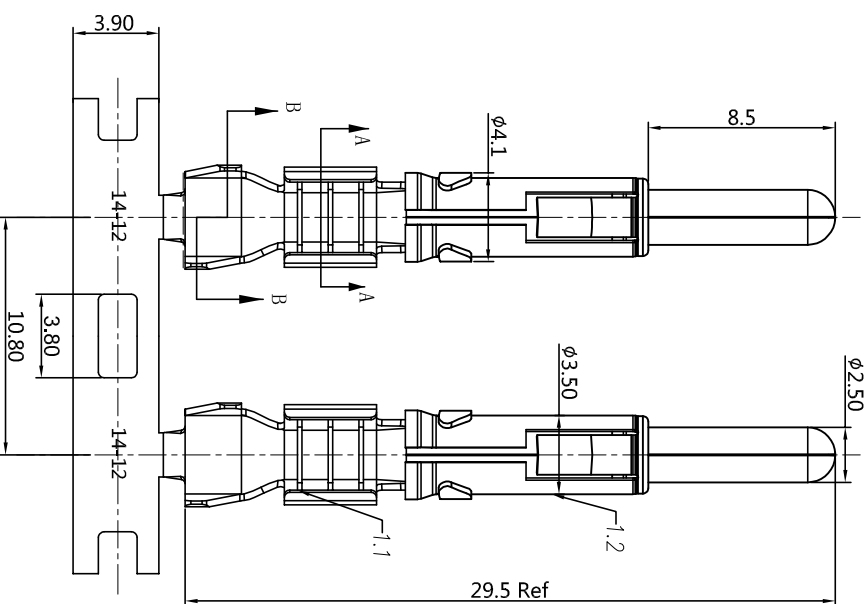


SECTION B-B



SECTION A-A

REVISIONS					
REV	ECO	DESCRIPTION	DATE	BY	APPR
B1	-	RELEASED DRAWING	JAN-18-2014	ARROW	TOMMY
B2	-	UPDATE DRAWING	NOV-09-2016	FLAN	TOMMY



QUANTITY	PART NUMBER	DESCRIPTION	ITEM
1	SP12A1XX	ECO-MATE PIN CONTACT, STAMPED, 14-12AWG, 2.5mm	1

UNLESS OTHERWISE SPECIFIED TYPICAL DIMENSIONS ARE IN MILLIMETERS. 2) Tolerances are as follows: 1 PL, DEC 20-30 Fractions .1"=1/4 3 PL, DEC 20-30 Angles .1" 3) Note reference = $\Delta$		SIGNATURES	DATE
DRAWN: FLN		NOV-09-2016	
CHECKED: TDD		NOV-09-2016	
ENGINEER: TOMMY			
APPROVAL: TOMMY		NOV-09-2016	
CUSTOMER: TOMMY			
MATERIAL SPECIFICATIONS:		THIS DRAWING IS SUBJECT TO THE SPECIFICATIONS AND PERFORMANCE DATA OF THE MATERIAL. REVISIONS TO THE MATERIAL SPECIFICATION NO. 10808 OF REPRODUCTION ARE LISTED. ALL MANUFACTURING VARIATIONS MUST BE ASST.	
PROCESS SPECIFICATIONS:		SIZE: B	
		TYPE: C-	
		DWG NO: SP12A1XX	
		REVISION: B2	
		SCALE: NONE	
		SHEET: 1 OF 1	

**Amphenol**  
Site Systems - www.amphenol-site.com  
44724 Morley Drive  
Clinton Township, MI 48036

ECO-MATE PIN CONTACT,  
STAMPED, 14-12AWG, 2.5mm CONTACT