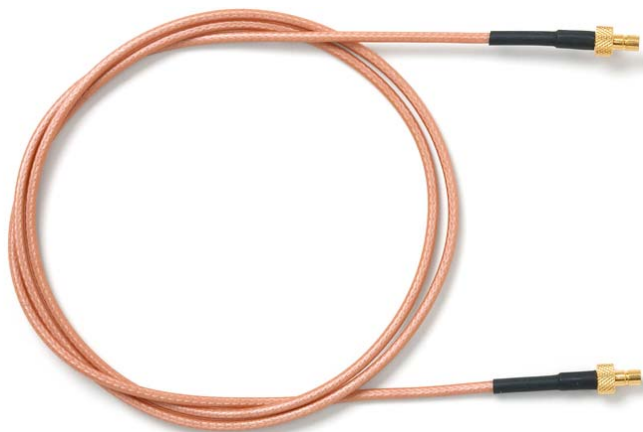


## Model 73072

SMB Jack to SMB Jack, RG316/U (50 Ohm), RG179B/U (75 Ohm)



*Model 73072-BB*  
SMB Jack to SMB Jack, RG316/U, 50 Ohm



*Model 73072-VV*  
SMB Jack to SMB Jack, RG179B/U, 75 Ohm

Snap-on coupling and small size for fast connect and disconnect

### Features

- Small size and durability for confident connections.
- Connectors are precision machined and gold-plated for low loss.
- Perfect for applications where space, weight, performance and ease of connections are required.

### Materials

SMB Male Connectors (50 Ohm):

Center Contact: Phosphor Bronze, Gold Plated  
Connector Body: Brass, Gold Plated  
Crimp Ferrule: Copper, Nickel Plated  
Insulators: PTFE

SMB Male Connectors (75 Ohm):

Center Contact: Brass, Gold Plated  
Connector Body: Brass, Gold Plated  
Crimp Ferrule: Copper, Nickel Plated  
Insulators: Silicone Rubber

### Specifications

Cable Type	RG316/U	RG179B/U
Impedance	50Ω	75Ω
Frequency Range	DC - 3GHz	DC - 2GHz
Capacitance per 1ft (0.305m)	29.0 pF	19.5 pF
Insulation Resistance	≥ 1000 MΩ	≥ 10,000 MΩ
Insulator Withstand	750V	750V
Temperature Range	-65° C to +165°C (-85°F to +329°F)	-65° C to +165°C (-85°F to +329°F)
Jacket	FEP	FEP
Cable O.D. (inches)	0.098" (2.5mm))	0.100" (2.54mm)
Center Conductor (mm)	7 x .18 silver coated copper covered steel	7 x .1 silver coated copper covered steel

USA: Sales: 800-490-2361  
Technical Support: [technicalsupport@pomonatest.com](mailto:technicalsupport@pomonatest.com)  
Fax: 425-446-5844

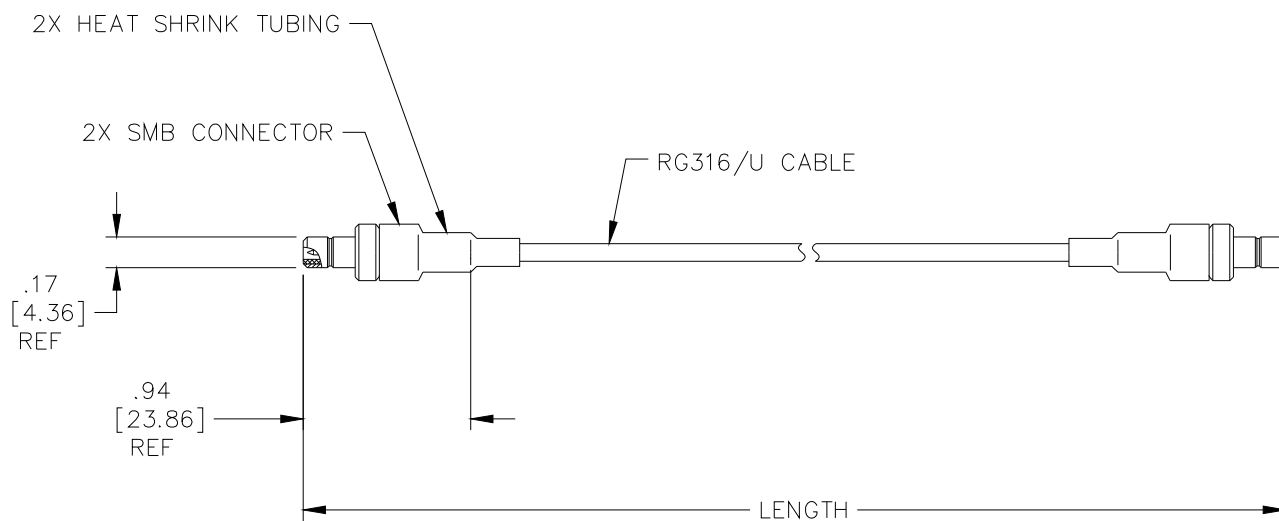
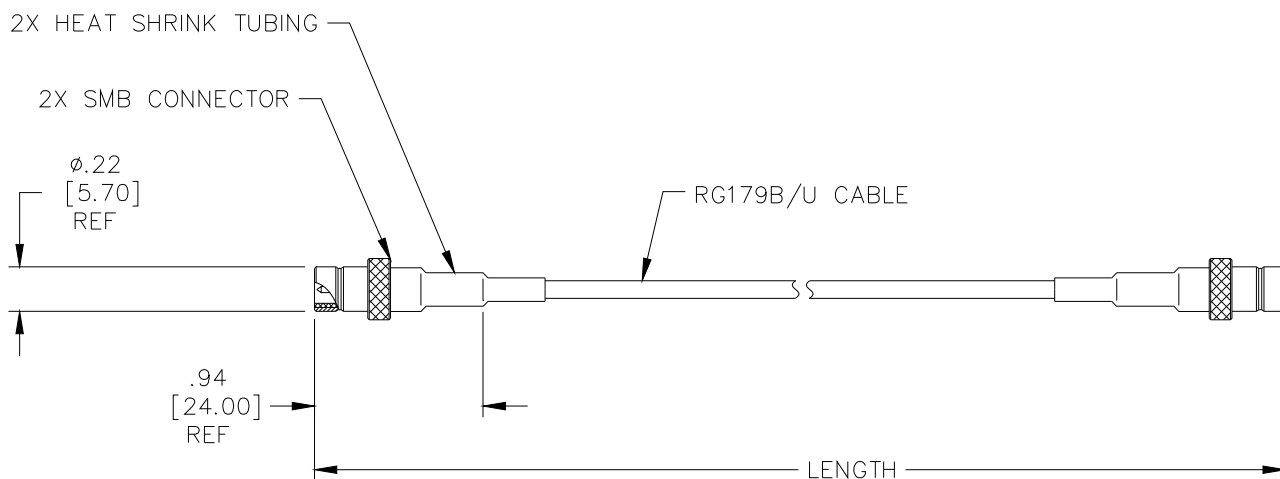
Europe: 31-(0) 40 2675 150 International: 425-446-5500

Where to Buy: [www.pomonaelectronics.com](http://www.pomonaelectronics.com)

All dimensions are in inches. Tolerances (except noted): .xx = ±.02" (.51 mm), .xxx = ± .005" (.127 mm). All specifications are to the latest revisions. Specifications are subject to change without notice. Registered trademarks are the property of their respective companies.

**Model 73072**

SMB Jack to SMB Jack, RG316/U (50 Ohm), RG179B/U (75 Ohm)



**Ordering Information**

Model: **73072**

Cable Designators: **BB** = RG316/U, **VV** = RG179B/U

Standard Lengths: **6", 12", 24", 36", 48", 60"**

- 6" ± .118" (152mm ± 3mm) (73072-BB only)
- 12" ± .157" (305mm ± 4mm)
- 24" ± .275" (610mm ± 7mm)
- 36" ± .394" (914mm ± 10mm)
- 48" ± .512" (1219mm ± 13mm)
- 60" ± .630" (1524mm ± 16mm) (73072-VV only)

Ordering Example: **73072-VV-48**, Cable is RG179B/U with length of 48" (1219mm)

**USA:** Sales: 800-490-2361  
 Technical Support: [technicalsupport@pomonatest.com](mailto:technicalsupport@pomonatest.com)  
 Fax: 425-446-5844

**Europe:** 31-(0) 40 2675 150 **International:** 425-446-5500

**Where to Buy:** [www.pomonaelectronics.com](http://www.pomonaelectronics.com)

All dimensions are in inches. Tolerances (except noted): .xx = ±.02" (.51 mm), .xxx = ± .005" (.127 mm). All specifications are to the latest revisions. Specifications are subject to change without notice. Registered trademarks are the property of their respective companies.