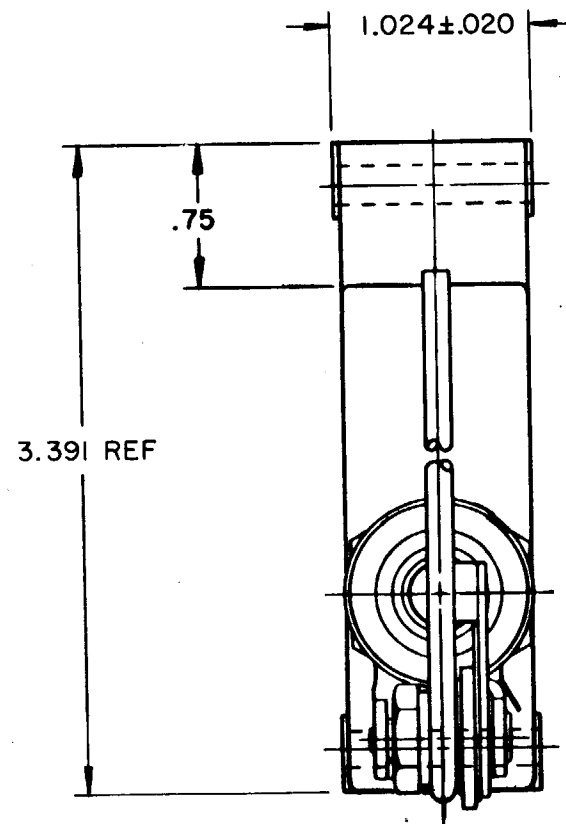


BZG1-2RN62
 DRAWING NUMBER
 ISSUE
 REVISIONS
 A PR-1341
 R E R
 17 JUL 70
 B CO28612
 M B S
 11 FEB 71
 C CO57675
 K P
 23 SEP 76
 D CO
 55989
 I WJM
 NOV 84
 E CO72977
 G J W
 8 AUG 92
 F CO-
 77179-C
 MAM
 12 MAR 94
 PO-80378-003
 DRAWN
 OMW 25 FEB 70 CHECK
 DAW SMAR 70 CHECK
 WHE SMAR 70 CHECK
 WHE SMAR 70 CHECK
 RELEASE NO. PR-1341
 REPLACES

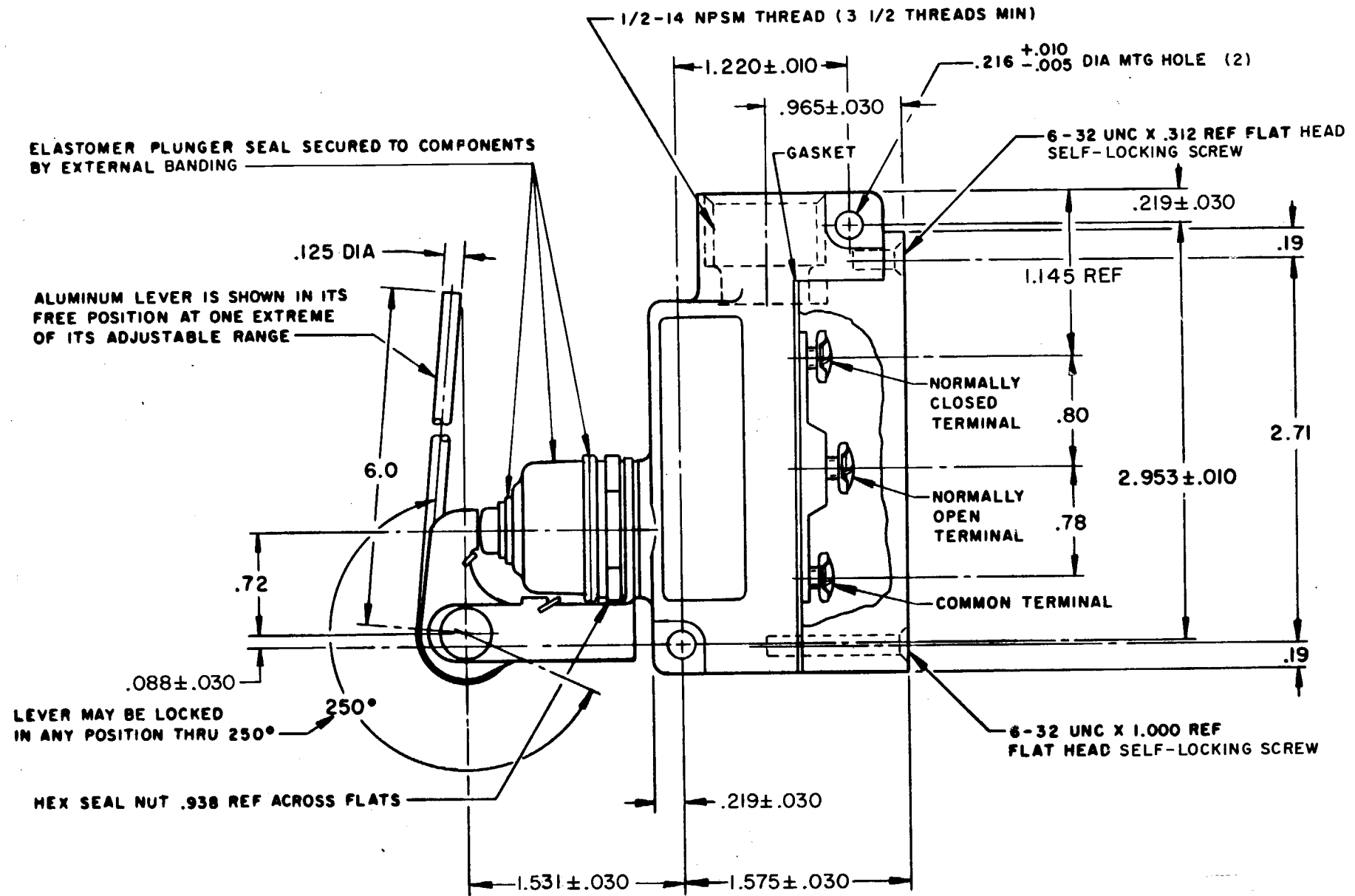


ELASTOMER PLUNGER SEAL SECURED TO COMPONENTS BY EXTERNAL BANDING

ALUMINUM LEVER IS SHOWN IN ITS FREE POSITION AT ONE EXTREME OF ITS ADJUSTABLE RANGE

LEVER MAY BE LOCKED IN ANY POSITION THRU 250°

HEX SEAL NUT .938 REF ACROSS FLATS



THIS DRAWING COVERS A PROPRIETARY ITEM AND IS THE PROPERTY OF MICRO SWITCH, A DIVISION OF MINNEAPOLIS-HONEYWELL REGULATOR CO. THIS DRAWING IS NOT TO BE COPIED OR USED WITHOUT THE APPROVAL OF MICRO SWITCH.

CHARACTERISTICS	ELECTRICAL DATA	SCALE FULL
OPERATING FORCE ----- 3-7 OZ	CONTACT ARRANGEMENT S P D T	DO NOT SCALE PRINT
RELEASE FORCE ----- 1 OZ MIN	15A-125, 250 OR 480 VAC, 2A-600 VAC 1/8HP-125 VAC; 1/4HP-250 VAC CODE L74 1/2A-125 VDC; 1/4A-250 VDC 	UNLESS OTHERWISE NOTED DIMENSIONS ARE IN INCHES
PRETRAVEL ----- .718 MAX		TOLERANCES ARE:
DIFFERENTIAL TRAVEL ----- .229 MAX		ONE PLACE (.0) ±.030
OVERTRAVEL ----- .838 MIN		TWO PLACE (.00) ±.015
SWITCH-BASIC REPLACEMENT --- BZ-2RN702		THREE PLACE (.000) ±.005
		ANGLES ±
		WEIGHT

NOTE -
 1 - 6-32 UNC X .219 REF BINDING HEAD TERMINAL SCREW AND CUPWASHER (3)
 2 - ROD LEVER BRACKET ASSEMBLY MAY BE SET AT ANY POSITION AROUND AXIS OF PLUNGER