

PLEASE CHECK WWW.MOLEX.COM FOR LATEST PART INFORMATION

Part Number: [0783210001](#)
Status: **Active**
Description: 1.00mm (.039") Pitch DDR3 DIMM Socket, LLCR, Vertical, Through Hole, with Beveled Metal Pins, Black Housing and Latches, 0.38µm (15µ") Gold (Au) Plating, 2.67mm (.105") Solder Tail Length, 1.57mm (.062") PCB Thickness, 240 Circuits, Lead free

Documents:

[Drawing \(PDF\)](#) [RoHS Certificate of Compliance \(PDF\)](#)
[Product Specification PS-78321-002 \(PDF\)](#)

Agency Certification

CSA LR19980
 UL E29179

General

Product Family Memory Module Sockets
 Series [78321](#)
 Component Type Socket
 JEDEC Outline MO-269
 Product Name DDR3 DIMM

Physical

Circuits (Loaded) 240
 Circuits (maximum) 240
 Color - Resin Black
 Durability (mating cycles max) 25
 Entry Angle Vertical
 Flammability 94V-0
 Function Key None
 Keying to Mating Part Yes
 Material - Metal Copper Alloy
 Material - Plating Mating Gold
 Material - Plating Termination Tin
 Material - Resin High Temperature Thermoplastic
 PC Tail Length (in) 0.105 In
 PC Tail Length (mm) 2.67 mm
 PCB Locator Yes
 PCB Retention Yes
 PCB Thickness Recommended (in) 0.062 In
 PCB Thickness Recommended (mm) 1.57 mm
 Packaging Type Tray
 Pitch - Mating Interface (in) 0.039 In
 Pitch - Mating Interface (mm) 1.00 mm
 Pitch - Term. Interface (in) 0.039 In
 Pitch - Term. Interface (mm) 1.00 mm
 Plating min: Mating (µin) 15
 Plating min: Mating (µm) 0.38
 Plating min: Termination (µin) 100
 Plating min: Termination (µm) 2.54
 Temperature Range - Operating -55°C to +85°C
 Termination Interface: Style Through Hole

Electrical

Current - Maximum per Contact 1A
 Voltage - Maximum 30V AC (RMS)/DC
 Voltage Key Center

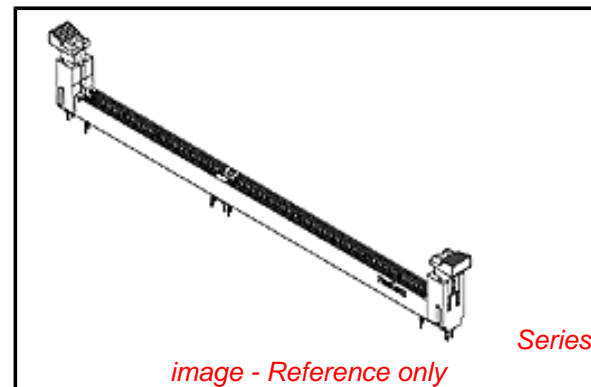


image - Reference only

EU RoHS

**ELV and RoHS
 Compliant
 REACH SVHC
 Not Reviewed
 Halogen-Free
 Status
 Not Reviewed**

China RoHS



**Need more information on product
 environmental compliance?**

Email productcompliance@molex.com
 For a multiple part number RoHS Certificate of Compliance, [click here](#)

Please visit the [Contact Us](#) section for any non-product compliance questions.

Search Parts in this Series

[78321Series](#)

Mates With

JEDEC standard 1.27mm modules

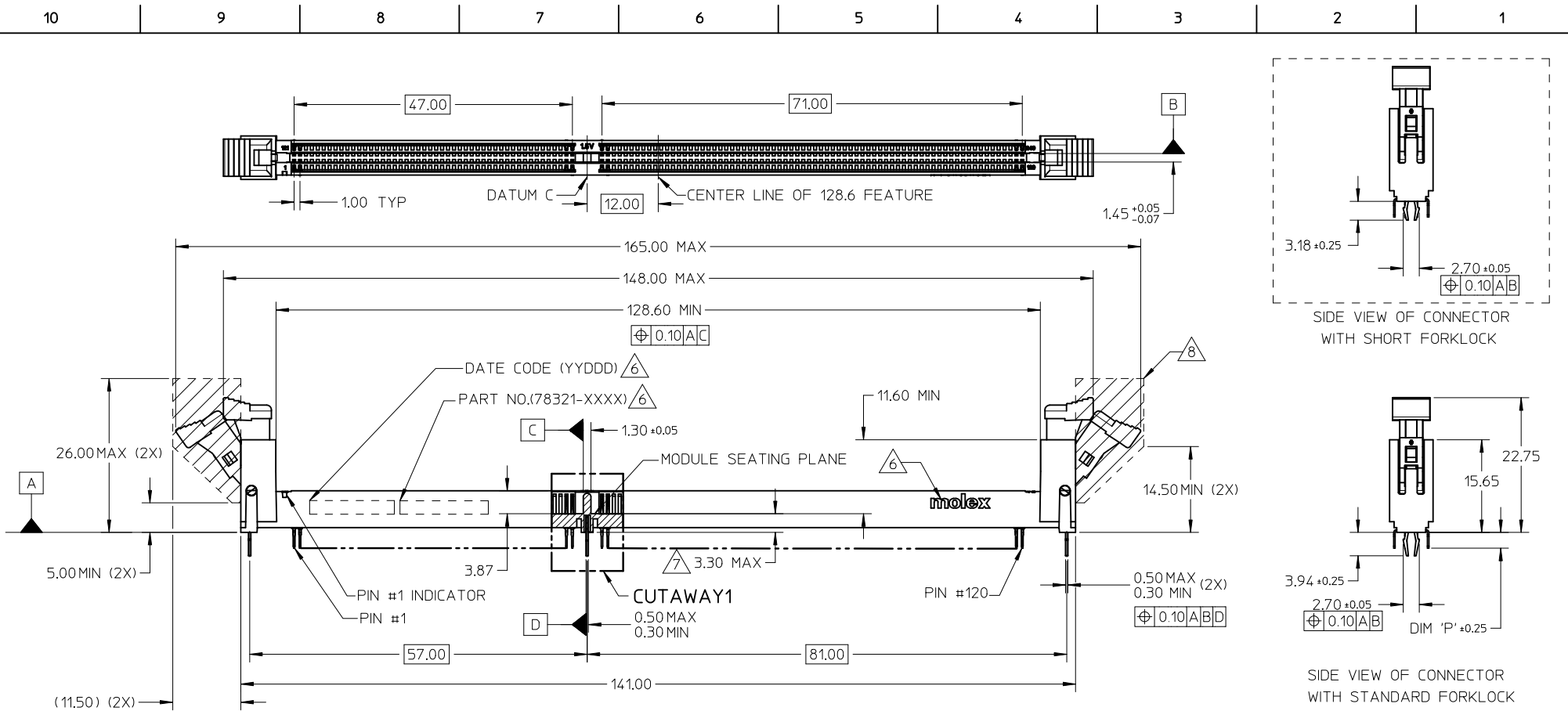
Material Info

Reference - Drawing Numbers

Packaging Specification	PK-78321-001
Product Specification	PS-78321-002
Sales Drawing	SD-78321-001

This document was generated on 06/08/2010

PLEASE CHECK WWW.MOLEX.COM FOR LATEST PART INFORMATION



NOTES:

- MATERIAL: HOUSING - HIGH TEMP NYLON, GLASS FILLED, UL 94V-0
 COLOR: SEE TABLE ON SHEET 6 & 7
 LATCH - HIGH TEMP NYLON, GLASS FILLED, UL 94V-0
 COLOR: SEE TABLE ON SHEET 6 & 7
 TERMINAL: COPPER ALLOY

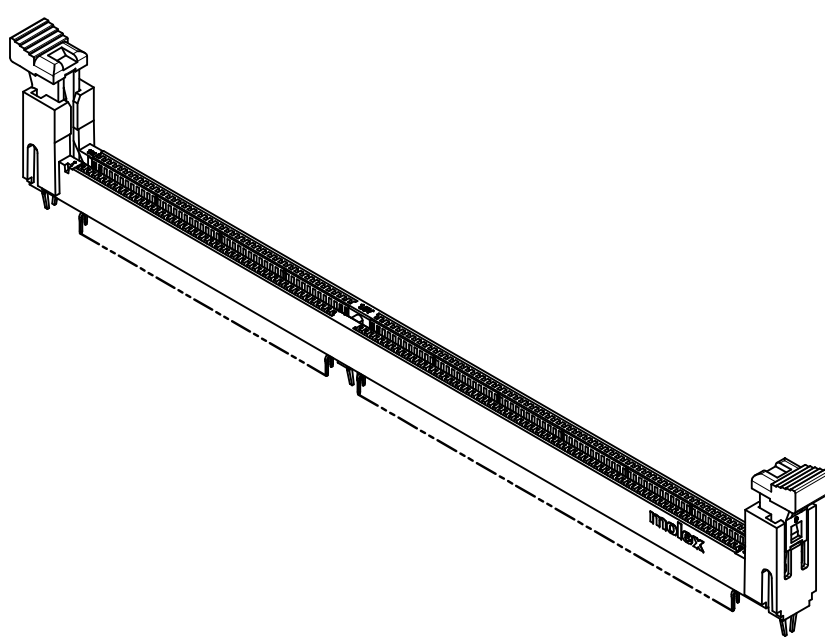
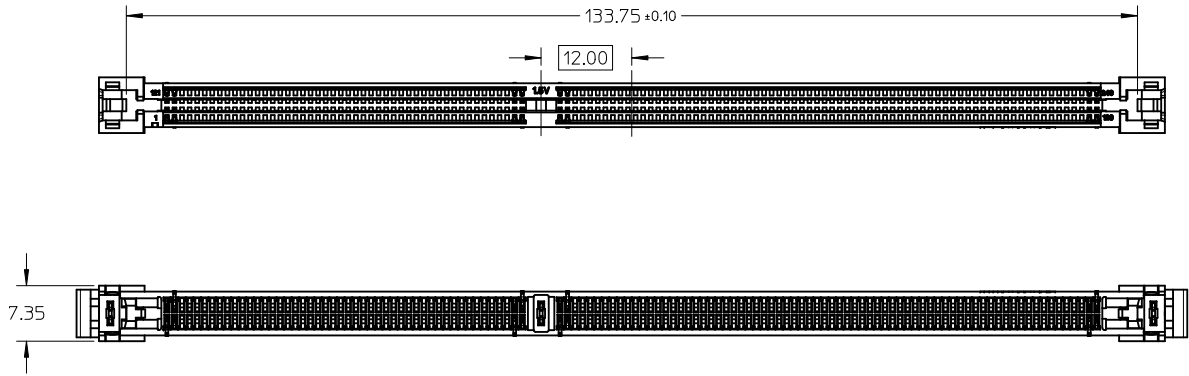
- FINISHES:
 TERMINAL PLATING OPTIONS - SEE TABLE ON SHEET 6 & 7
- PRODUCT SPECIFICATION: SEE TABLE ON SHEET 6 & 7
- PACKAGING INFORMATION: PRODUCT SHALL BE PACKED IN TRAY
- CARD SLOTS ACCEPTS 1.27±0.10MM MODULE THICKNESS (MEASURED FROM PC PADS)

- MOLEX LOGO, DATE CODE AND PART NO. INDICATED ON HOUSING
- MODULE SEATING PLANE FROM TOP OF PCB
- KEEP OUT ZONE RESERVED FOR LATCH

THIS DESIGN IS BASED ON DESIGN OBJECTIVES AND IS STRICTLY TENTATIVE. IT MAY CHANGE BASED ON RESULTS OF ADDITIONAL DESIGN REVIEWS & VERIFICATIONS.

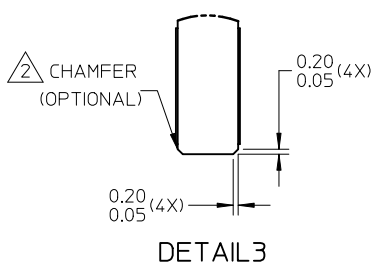
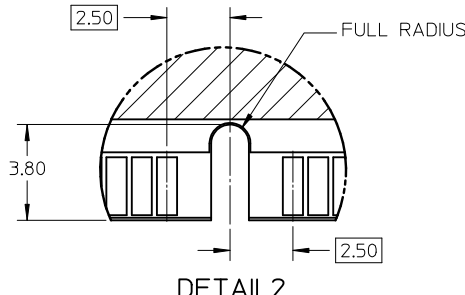
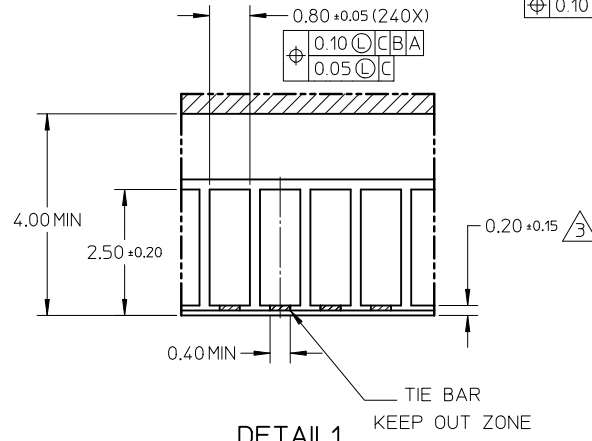
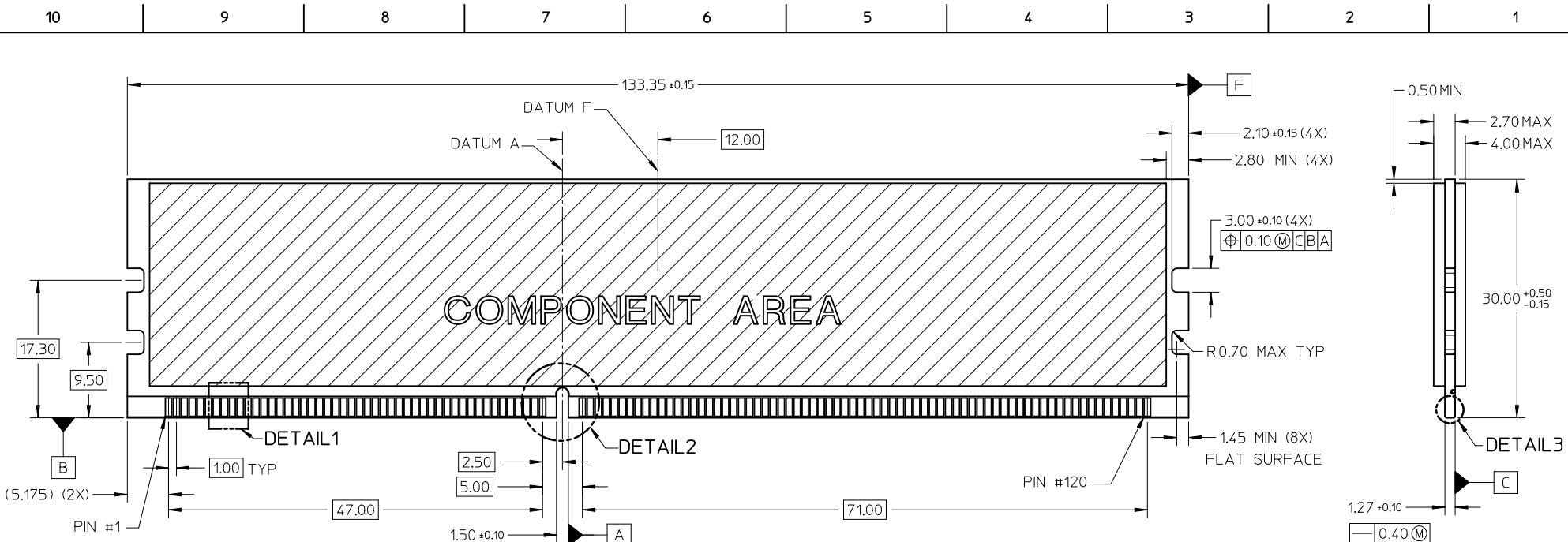
FORKLOCK UPDATED EC NO: S2010-0888 DRWN: JAKEEVEW 2010/04/23 CHKD: CCTEH 2010/06/10 APPR: SHLENI 2010/06/13	QUALITY SYMBOLS $F_A=0$ $F_C=0$ $F_B=0$	GENERAL TOLERANCES (UNLESS SPECIFIED)		DIMENSION STYLE MM ONLY		SCALE NTS	DESIGN UNITS METRIC	THIRD ANGLE PROJECTION			
			mm	INCH	DRAWN BY YTYANG01	DATE 2007/09/24	TITLE DDR3 DIMM, 100MM PITCH 240 CKTS, VERTICAL, T/H LOW LLLCR				
			4 PLACES	± ---	± ---	CHECKED BY CCTEH	DATE 2007/11/12	MOLEX INCORPORATED DOCUMENT NO. SD-78321-001 SHEET NO. 1 OF 7			
			3 PLACES	± ---	± ---	APPROVED BY SHLENI	DATE 2010/06/10				
	2 PLACES	± 0.2	± ---	MATERIAL NO.		SEE TABLE					
	1 PLACE	± ---	± ---	ANGULAR ± 1°		DRAFT WHERE APPLICABLE MUST REMAIN WITHIN DIMENSIONS					
10	REV	SIZE A3 THIS DRAWING CONTAINS INFORMATION THAT IS PROPRIETARY TO MOLEX INCORPORATED AND SHOULD NOT BE USED WITHOUT WRITTEN PERMISSION									

10 9 8 7 6 5 4 3 2 1



FORKLOCK UPDATED EC NO: S2010-0888 DRWN: JAKEEVEW 2010/04/23 CHKD: CCTEH 2010/06/10 APPR: SHLENI 2010/06/13	REV	DESCRIPTION	QUALITY SYMBOLS	GENERAL TOLERANCES (UNLESS SPECIFIED)		DIMENSION STYLE MM ONLY		SCALE NTS	DESIGN UNITS METRIC	THIRD ANGLE PROJECTION																											
	10		$\nabla_A = 0$ $\nabla_C = 0$ $\nabla_P = 0$	<table border="1"> <thead> <tr> <th></th> <th>mm</th> <th>INCH</th> </tr> </thead> <tbody> <tr> <td>4 PLACES</td> <td>± ---</td> <td>± ---</td> </tr> <tr> <td>3 PLACES</td> <td>± ---</td> <td>± ---</td> </tr> <tr> <td>2 PLACES</td> <td>± 0.2</td> <td>± ---</td> </tr> <tr> <td>1 PLACE</td> <td>± ---</td> <td>± ---</td> </tr> </tbody> </table>		mm	INCH	4 PLACES	± ---	± ---	3 PLACES	± ---	± ---	2 PLACES	± 0.2	± ---	1 PLACE	± ---	± ---	<table border="1"> <thead> <tr> <th>DRAWN BY</th> <th>DATE</th> </tr> </thead> <tbody> <tr> <td>YTYANG01</td> <td>2007/09/24</td> </tr> <tr> <th>CHECKED BY</th> <th>DATE</th> </tr> <tr> <td>CCTEH</td> <td>2007/11/12</td> </tr> <tr> <th>APPROVED BY</th> <th>DATE</th> </tr> <tr> <td>SHLENI</td> <td>2010/06/10</td> </tr> </tbody> </table>	DRAWN BY	DATE	YTYANG01	2007/09/24	CHECKED BY	DATE	CCTEH	2007/11/12	APPROVED BY	DATE	SHLENI	2010/06/10	TITLE DDR3 DIMM, 1.00MM PITCH 240 CKTS, VERTICAL, T/H LOW LLCR		DOCUMENT NO. SD-78321-001		SHEET NO. 2 OF 7
		mm	INCH																																		
	4 PLACES	± ---	± ---																																		
3 PLACES	± ---	± ---																																			
2 PLACES	± 0.2	± ---																																			
1 PLACE	± ---	± ---																																			
DRAWN BY	DATE																																				
YTYANG01	2007/09/24																																				
CHECKED BY	DATE																																				
CCTEH	2007/11/12																																				
APPROVED BY	DATE																																				
SHLENI	2010/06/10																																				
				DRAFT WHERE APPLICABLE MUST REMAIN WITHIN DIMENSIONS		MATERIAL NO. SEE TABLE		MOLEX INCORPORATED																													

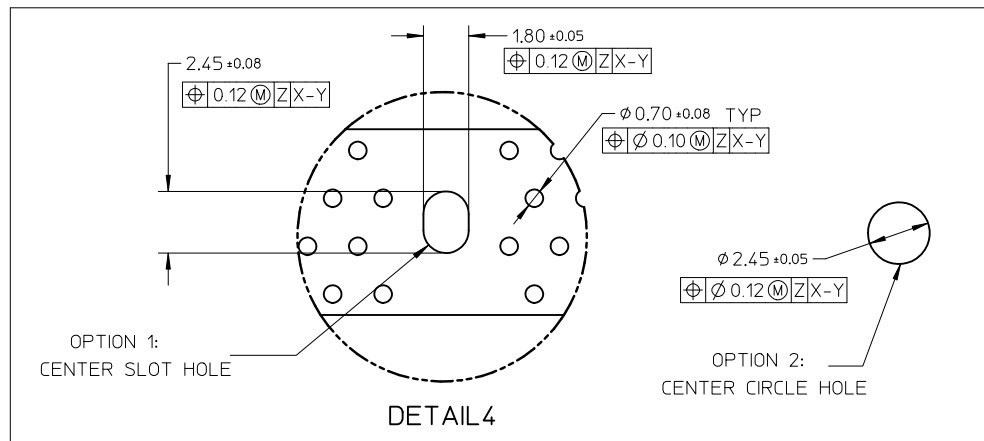
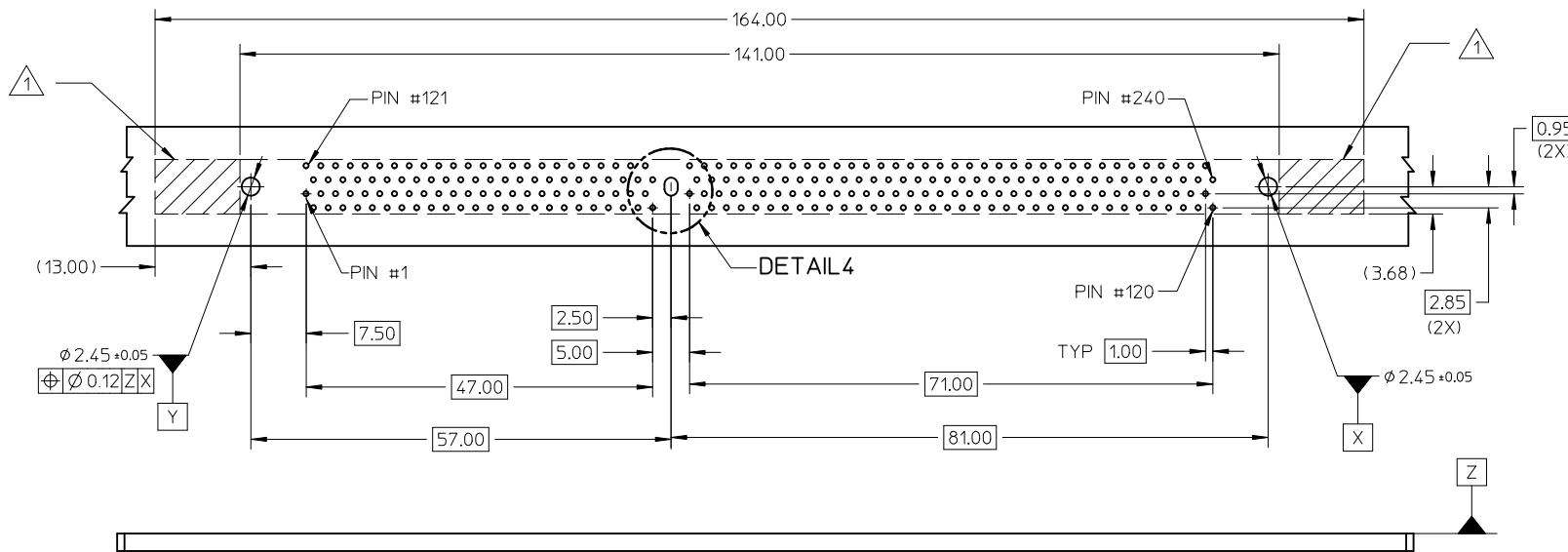
9 8 7 6 5 4 3 2 1



NOTES:
 1. RECOMMENDED PLATING FOR CONTACT PADS:
 PREFERRED: 0.76 MICROMETERS GOLD PLATING MIN OVER 2.00 MICROMETERS NICKEL
 ALTERNATIVE: 0.05-0.75 MICROMETERS GOLD PLATING OVER 2.00 MICROMETERS NICKEL MUST USE AN ELECTRONIC CONTACT GRADE CORROSIVE BARRIER LUBRICANT
 2. CHAMFER IS OPTIONAL AND IS NOT TO HIT THE GOLD PADS
 3. LEADING EDGE OF GOLD PADS SPECIFIED BY KEEP-OUT ZONE SHALL BE FREE OF BURRS AND EXTERNAL TIE BARS

FORKLOCK UPDATED EC NO: S2010-0888 DRWN: JAKEEWEW 2010/04/23 CHYKD: CCTEH 2010/06/10 APPR: SHLENI 2010/06/13	QUALITY SYMBOLS $F_A=0$ $F_C=0$ $F_B=0$	GENERAL TOLERANCES (UNLESS SPECIFIED)		DIMENSION STYLE MM ONLY		SCALE NTS	DESIGN UNITS METRIC	THIRD ANGLE PROJECTION		
			mm	INCH	DRAWN BY YTYANG01	DATE 2007/09/24	TITLE DDR3 DIMM, 100MM PITCH 240 CKTS, VERTICAL, T/H LOW LLLCR			
		4 PLACES	± ---	± ---	CHECKED BY CCTEH	DATE 2007/11/12	MOLEX INCORPORATED DOCUMENT NO. SD-78321-001 SHEET NO. 3 OF 7			
		3 PLACES	± ---	± ---	APPROVED BY SHLENI	DATE 2010/06/10				
2 PLACES	± 0.2	± ---	MATERIAL NO.		SEE TABLE					
1 PLACE	± ---	± ---	DRAFT WHERE APPLICABLE MUST REMAIN WITHIN DIMENSIONS		THIS DRAWING CONTAINS INFORMATION THAT IS PROPRIETARY TO MOLEX INCORPORATED AND SHOULD NOT BE USED WITHOUT WRITTEN PERMISSION					
ANGULAR ± 1 °										

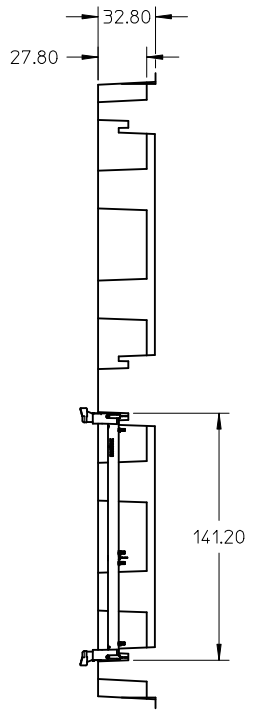
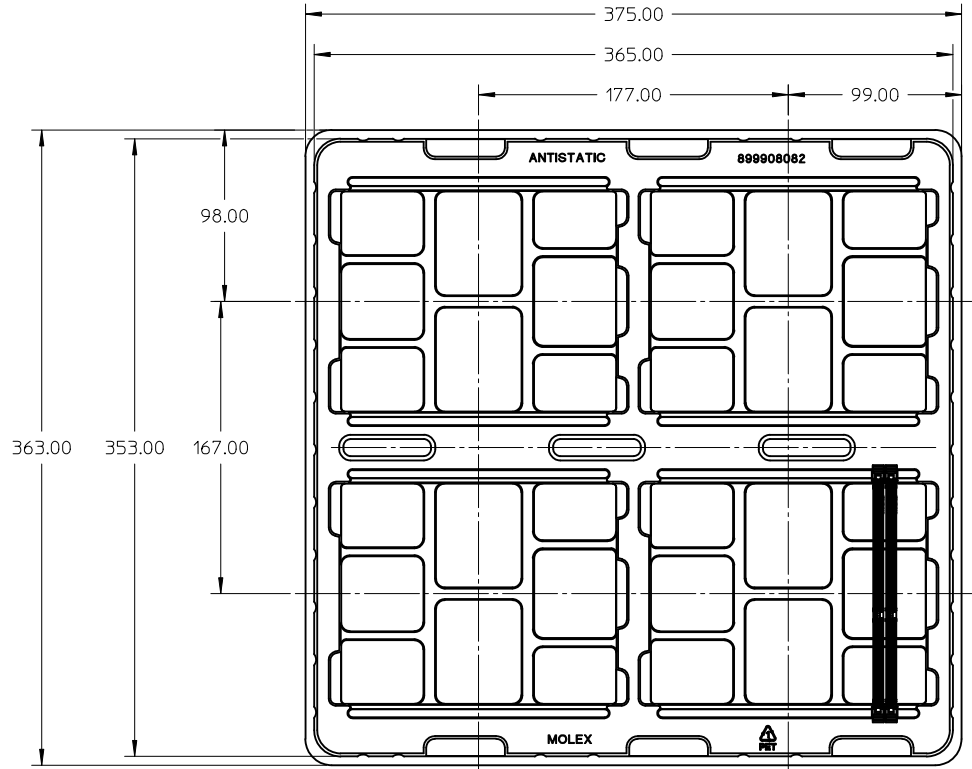
10 9 8 7 6 5 4 3 2 1



NOTE:
 1. KEEP-OUT AREA IS THE AREA WHERE THE CONNECTOR (INCLUDING LATCH) IS MOUNTED ON PCB

FORKLOCK UPDATED EC NO: S2010-0888 DRWN: JAKEEWEW 2010/04/23 CHKD: CCTEH 2010/06/10 APPR: SHLENI 2010/06/13	QUALITY SYMBOLS	GENERAL TOLERANCES (UNLESS SPECIFIED)		DIMENSION STYLE MM ONLY		SCALE NTS	DESIGN UNITS METRIC	THIRD ANGLE PROJECTION	
	$F_A=0$	mm	INCH	DRAWN BY YTYANG01	DATE 2007/09/24	TITLE DDR3 DIMM, 100MM PITCH 240 CKTS, VERTICAL, T/H LOW LLLCR			
	$F_C=0$	4 PLACES ± ---	± ---	CHECKED BY CCTEH	DATE 2007/11/12	MOLEX INCORPORATED DOCUMENT NO. SD-78321-001 SHEET NO. 4 OF 7			
	$F_P=0$	3 PLACES ± ---	± ---	APPROVED BY SHLENI	DATE 2010/06/10				
	2 PLACES ± 0.2	± ---	MATERIAL NO. SEE TABLE						
	1 PLACE ± ---	± ---	SIZE A3		THIS DRAWING CONTAINS INFORMATION THAT IS PROPRIETARY TO MOLEX INCORPORATED AND SHOULD NOT BE USED WITHOUT WRITTEN PERMISSION				
	ANGULAR ± 1 °		DRAFT WHERE APPLICABLE MUST REMAIN WITHIN DIMENSIONS						

9 8 7 6 5 4 3 2 1



NOTES:
1. QTY OF CAVITY : 20 X 4 = 80 PCS

FORKLOCK UPDATED EC NO: S2010-0888 DRWN: JAKEEWEW 2010/04/23 CHKD: CCTEH 2010/06/10 APPR: SHLENI 2010/06/13	QUALITY SYMBOLS $F_A=0$ $F_C=0$ $F_P=0$	GENERAL TOLERANCES (UNLESS SPECIFIED)		DIMENSION STYLE MM ONLY		SCALE NTS	DESIGN UNITS METRIC	THIRD ANGLE PROJECTION		
			mm	INCH	DRAWN BY YTYANG01	DATE 2007/09/24	TITLE DDR3 DIMM, 1.00MM PITCH 240 CKTS, VERTICAL, T/H LOW LLCR			
		4 PLACES	± ---	± ---	CHECKED BY CCTEH	DATE 2007/11/12	MOLEX INCORPORATED DOCUMENT NO. SD-78321-001			
		3 PLACES	± ---	± ---	APPROVED BY SHLENI	DATE 2010/06/10				
2 PLACES	± 0.2	± ---	DRAFT WHERE APPLICABLE MUST REMAIN WITHIN DIMENSIONS		SEE TABLE		THIS DRAWING CONTAINS INFORMATION THAT IS PROPRIETARY TO MOLEX INCORPORATED AND SHOULD NOT BE USED WITHOUT WRITTEN PERMISSION			
1 PLACE	± ---	± ---	ANGULAR ± 1 °							

ASSEMBLY PART NO.	VOLTAGE KEY	DIM 'P'	FORKLOCK LENGTH	RECOMMENDED PCB THICKNESS	PLATING OPTION	HOUSING COLOUR	LATCH COLOUR	PRODUCT SPECIFICATION
78321-0011	CENTRE (1.5V)	2.67	3.94	1.57	0.76 MICROMETER/ 30 MICROINCH MIN. GOLD ON CONTACT 2.54 MICROMETER/ 100 MICROINCH MIN. PURE TIN (MATTE) ON SOLDER TAILS 1.27 MICROMETER/ 50 MICROINCH MIN. NICKEL UNDERPLATE	BLACK	BLACK	PS-78321-001
78321-0016							NATURAL (OFF-WHITE)	
78321-0013		3.00		2.18			BLACK	
78321-0017							NATURAL (OFF-WHITE)	
78321-0012		3.18		2.36			BLACK	
78321-0018							NATURAL (OFF-WHITE)	
78321-0001		2.67		1.57	0.38 MICROMETER/ 15 MICROINCH MIN. GOLD ON CONTACT 2.54 MICROMETER/ 100 MICROINCH MIN. PURE TIN (MATTE) ON SOLDER TAILS 1.27 MICROMETER/ 50 MICROINCH MIN. NICKEL UNDERPLATE		BLACK	PS-78321-002
78321-0006							NATURAL (OFF-WHITE)	
78321-0003		3.00		2.18			BLACK	
78321-0007							NATURAL (OFF-WHITE)	
78321-0002		3.18		2.36			BLACK	
78321-0008							NATURAL (OFF-WHITE)	

FORKLOCK UPDATED EC NO: S2010-0888 DRWN: JAKEEW 2010/04/23 CHKD: CCTEH 2010/06/10 APPR: SHLENI 2010/06/13	QUALITY SYMBOLS	GENERAL TOLERANCES (UNLESS SPECIFIED)	DIMENSION STYLE	SCALE	DESIGN UNITS	THIRD ANGLE PROJECTION															
	$\nabla_A = 0$ $\nabla_C = 0$ $\nabla_P = 0$	<table border="1"> <thead> <tr> <th></th> <th>mm</th> <th>INCH</th> </tr> </thead> <tbody> <tr> <td>4 PLACES</td> <td>± ---</td> <td>± ---</td> </tr> <tr> <td>3 PLACES</td> <td>± ---</td> <td>± ---</td> </tr> <tr> <td>2 PLACES</td> <td>± 0.2</td> <td>± ---</td> </tr> <tr> <td>1 PLACE</td> <td>± ---</td> <td>± ---</td> </tr> </tbody> </table>		mm	INCH	4 PLACES	± ---	± ---	3 PLACES	± ---	± ---	2 PLACES	± 0.2	± ---	1 PLACE	± ---	± ---	MM ONLY	NTS	METRIC	
		mm	INCH																		
	4 PLACES	± ---	± ---																		
3 PLACES	± ---	± ---																			
2 PLACES	± 0.2	± ---																			
1 PLACE	± ---	± ---																			
DESCRIPTION	<table border="1"> <tr> <td>DRAWN BY</td> <td>DATE</td> <td>TITLE</td> </tr> <tr> <td>YTYANG01</td> <td>2007/09/24</td> <td rowspan="3">DDR3 DIMM, 1.00MM PITCH 240 CKTS, VERTICAL, T/H LOW LLCR</td> </tr> <tr> <td>CHECKED BY</td> <td>DATE</td> </tr> <tr> <td>CCTEH</td> <td>2007/11/12</td> </tr> <tr> <td>APPROVED BY</td> <td>DATE</td> <td rowspan="2">MOLEX INCORPORATED</td> </tr> <tr> <td>SHLENI</td> <td>2010/06/10</td> </tr> </table>	DRAWN BY	DATE	TITLE	YTYANG01	2007/09/24	DDR3 DIMM, 1.00MM PITCH 240 CKTS, VERTICAL, T/H LOW LLCR	CHECKED BY	DATE	CCTEH	2007/11/12	APPROVED BY	DATE	MOLEX INCORPORATED	SHLENI	2010/06/10	SEE TABLE	DOCUMENT NO.	SHEET NO.		
DRAWN BY	DATE	TITLE																			
YTYANG01	2007/09/24	DDR3 DIMM, 1.00MM PITCH 240 CKTS, VERTICAL, T/H LOW LLCR																			
CHECKED BY	DATE																				
CCTEH	2007/11/12																				
APPROVED BY	DATE	MOLEX INCORPORATED																			
SHLENI	2010/06/10																				
REV	DRAFT WHERE APPLICABLE MUST REMAIN WITHIN DIMENSIONS	SIZE	THIS DRAWING CONTAINS INFORMATION THAT IS PROPRIETARY TO MOLEX INCORPORATED AND SHOULD NOT BE USED WITHOUT WRITTEN PERMISSION																		
10		A3	SD-78321-001 6 OF 7																		

ASSEMBLY PART NO.	VOLTAGE KEY	DIM 'P'	FORKLOCK LENGTH	RECOMMENDED PCB THICKNESS	PLATING OPTION	HOUSING COLOUR	LATCH COLOUR	PRODUCT SPECIFICATION			
78321-0051	CENTRE (1.5V)	3.18	3.18	2.36	0.76 MICROMETER/ 30 MICROINCH MIN. GOLD ON CONTACT 2.54 MICROMETER/ 100 MICROINCH MIN. PURE TIN (MATTE) ON SOLDER TAILS 1.27 MICROMETER/ 50 MICROINCH MIN. NICKEL UNDERPLATE	BLACK	NATURAL (OFF-WHITE)	PS-78321-001			
78321-0052						NATURAL (OFF-WHITE)					
78321-0053						BLUE					
78321-0055						GREEN					
78321-0151						BLACK					
78321-0152						NATURAL (OFF-WHITE)					
78321-0153		BLUE									
78321-0155		GREEN									
78321-0061		2.67	3.18	3.18		0.38 MICROMETER/ 15 MICROINCH MIN. GOLD ON CONTACT 2.54 MICROMETER/ 100 MICROINCH MIN. PURE TIN (MATTE) ON SOLDER TAILS 1.27 MICROMETER/ 50 MICROINCH MIN. NICKEL UNDERPLATE			BLACK	BLACK	PS-78321-002
78321-0062									NATURAL (OFF-WHITE)		
78321-0063									BLUE		
78321-0065									GREEN		
78321-0161					BLACK						
78321-0162					NATURAL (OFF-WHITE)						
78321-0163		BLUE									
78321-0165		GREEN									
78321-0261		3.18	3.18	3.18	0.38 MICROMETER/ 15 MICROINCH MIN. GOLD ON CONTACT 2.54 MICROMETER/ 100 MICROINCH MIN. PURE TIN (MATTE) ON SOLDER TAILS 1.27 MICROMETER/ 50 MICROINCH MIN. NICKEL UNDERPLATE		BLACK	BLACK	PS-78321-002		
78321-0262							NATURAL (OFF-WHITE)				
78321-0263							BLUE				
78321-0265							GREEN				
78321-0361						BLACK					
78321-0362						NATURAL (OFF-WHITE)					
78321-0363		BLUE									
78321-0365		GREEN									
78321-0365	2.67	2.67	1.57	1.57		BLACK	BLACK			PS-78321-002	
78321-0362						NATURAL (OFF-WHITE)					
78321-0363						BLUE					
78321-0365						GREEN					

FORKLOCK UPDATED EC NO: S2010-0888 DRWN: JAKEEW 2010/04/23 CHKD: CCTEH 2010/06/10 APPR: SHLENI 2010/06/13	QUALITY SYMBOLS	GENERAL TOLERANCES (UNLESS SPECIFIED)	DIMENSION STYLE	SCALE	DESIGN UNITS	THIRD ANGLE PROJECTION	
	$F_A=0$ $F_G=0$ $F_P=0$	mm INCH 4 PLACES ± --- ± --- 3 PLACES ± --- ± --- 2 PLACES ± 0.2 ± --- 1 PLACE ± --- ± --- ANGULAR ± 1 °	MM ONLY	NTS	METRIC		
	DESCRIPTION		DRAWN BY	DATE	TITLE		
			YTYANG01	2007/09/24	DDR3 DIMM, 1.00MM PITCH 240 CKTS, VERTICAL, T/H LOW LLCR		
		CCTEH	2007/11/12	APPROVED BY			
		SHLENI	2010/06/10	DATE			
				MATERIAL NO.			
				DOCUMENT NO.			
				SHEET NO.			
				SD-78321-001			
				7 OF 7			
				SEE TABLE			
				THIS DRAWING CONTAINS INFORMATION THAT IS PROPRIETARY TO MOLEX INCORPORATED AND SHOULD NOT BE USED WITHOUT WRITTEN PERMISSION			