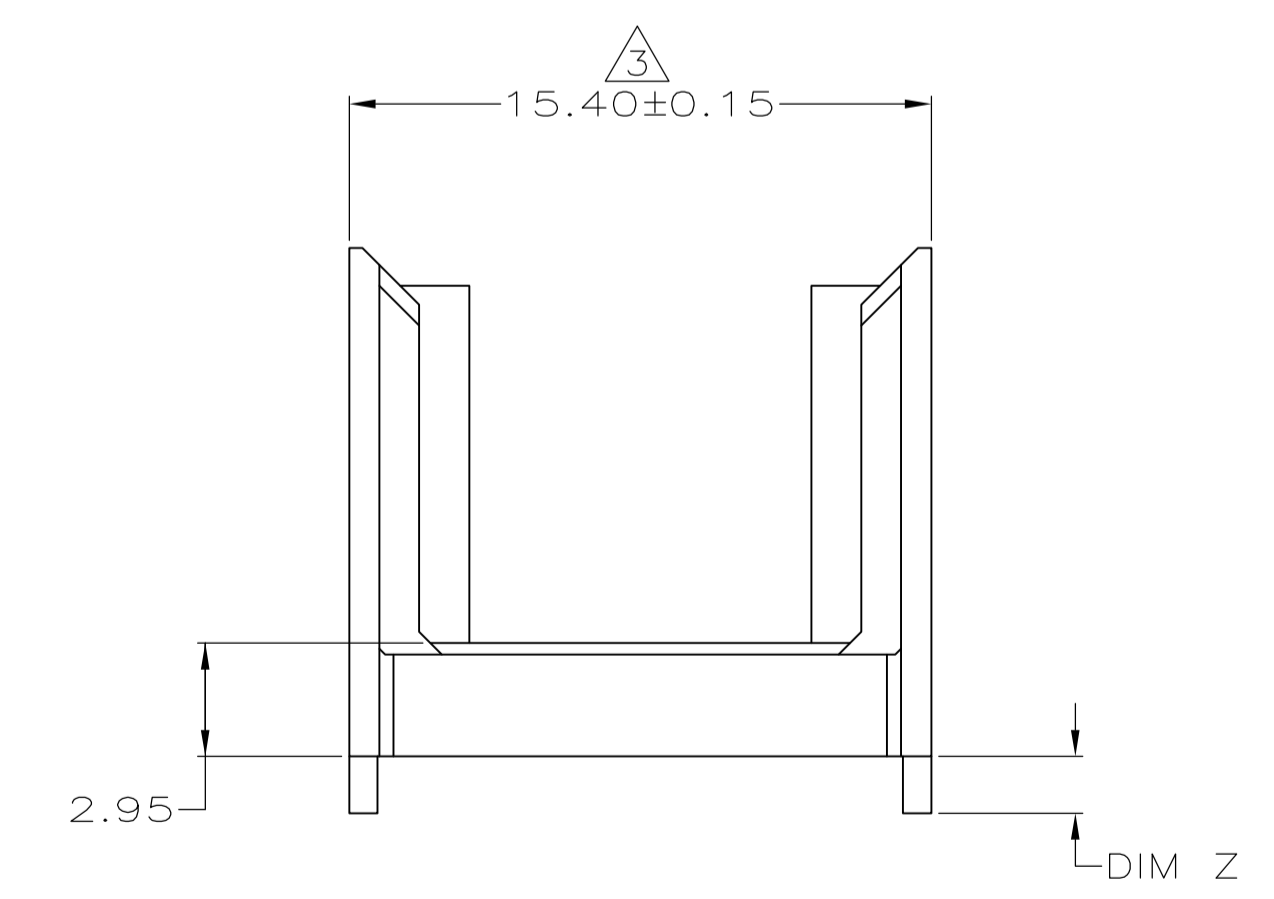
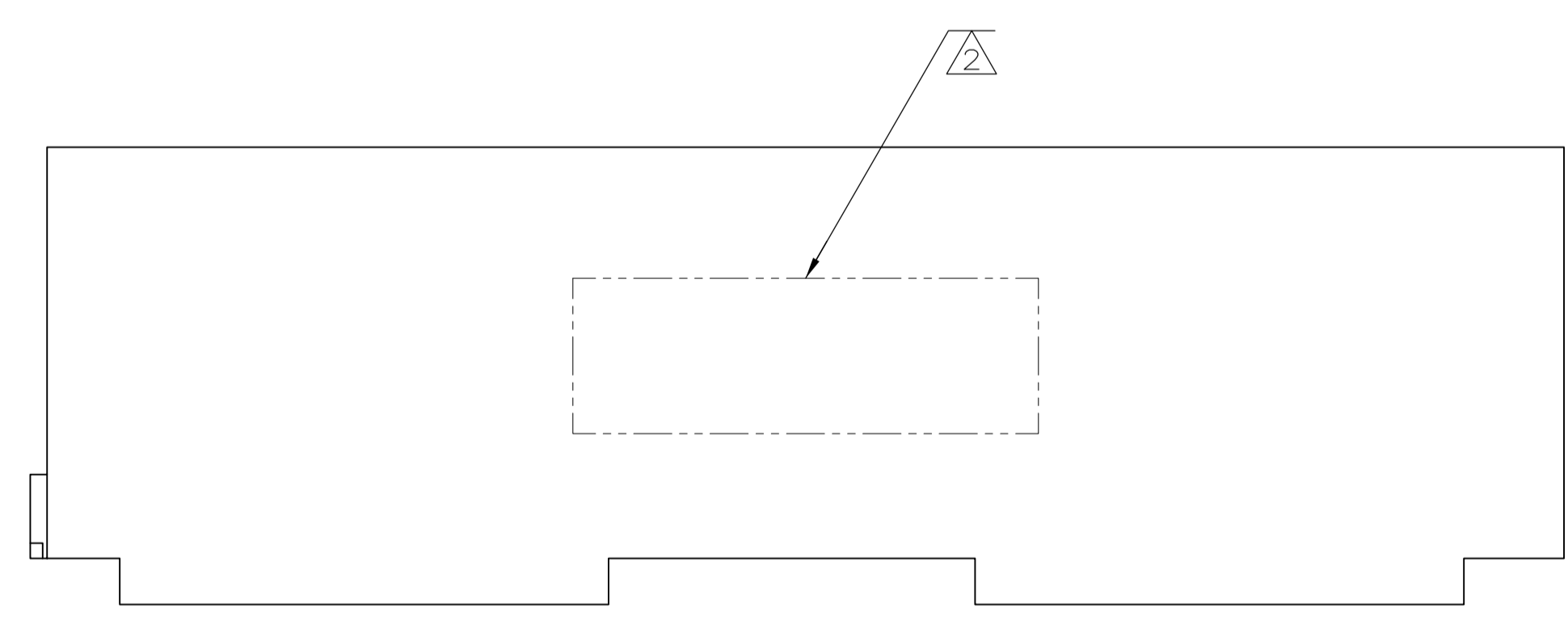
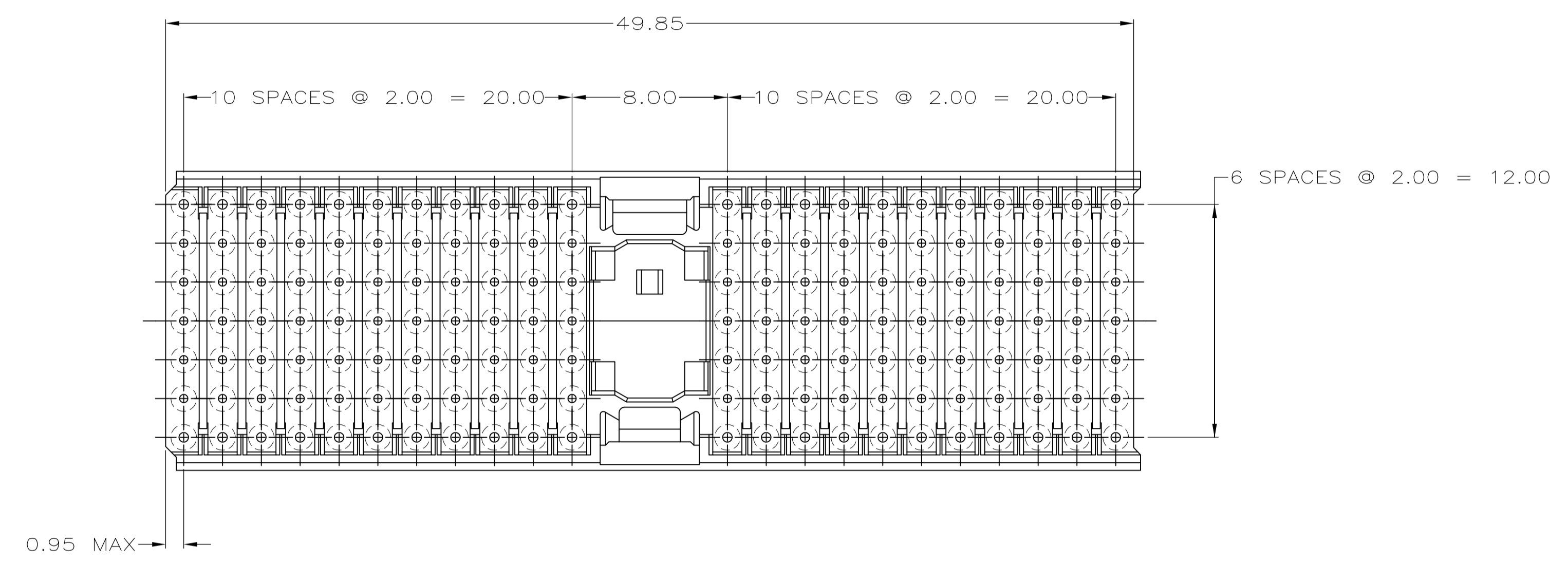
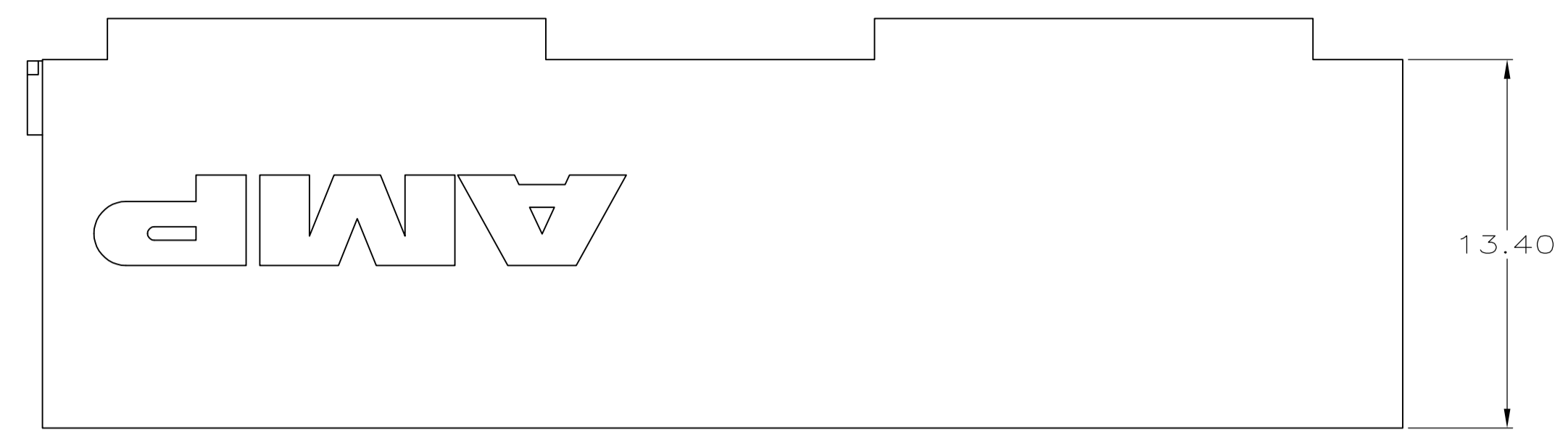


| REVISONS | | DATE | DWN | APVD |
|----------|---------------------------|-----------|-----|------|
| C | REV PER EC 0U1B-0192-01 | 27 JUN 01 | BC | RP |
| C1 | REVISED PER ECO-10-000443 | 15JAN10 | KK | AEG |
| D | ECR-10-019054 | 15SEP10 | DP | MQW |



| DIM Z | PART NUMBER |
|-------|-------------|
| 1.90 | 646478-7 |
| 1.70 | 646478-6 |
| 1.50 | 646478-5 |
| 1.30 | 646478-4 |
| 1.10 | 646478-3 |
| 0.90 | 646478-2 |
| — | 646478-1 |

OBSELETE

- 1 MATERIAL: GLASS FILLED POLYESTER.
- 2 PART NUMBER MARKED IN APPROXIMATE AREA SHOWN.
- 3 TO BE MEASURED AT BASE OF SHROUD.
- 4 OBSOLETE PARTS: OBSOLETE CIS STREAMLINING PER D.RENAUD/D.SINISI

THIS DRAWING IS A CONTROLLED DOCUMENT

| | | | |
|-------------|--|------------------|---------------------------------|
| DIMENSIONS: | TOLERANCES UNLESS OTHERWISE SPECIFIED: | DWN | 6-16-98 |
| mm | 0-PLG ± | I. SHUEY | |
| | 1-PLG ± | G. SKIPPER | 11-23-98 |
| | 2-PLG ±0.05 | APVD | |
| | 3-PLG ± | G. SKIPPER | 11-23-98 |
| | 4-PLG ± | NAME | |
| | ANGLES ± | G. SKIPPER | SHROUD, TYPE A,Z-PACK 2mm HM, |
| MATERIAL | FINISH | APPLICATION SPEC | 5 ROW, 154 POSITION, WITH GUIDE |
| 1 | | WEIGHT | |
| | | SIZE | A100779 |
| | | CAGE CODE | 646478 |
| | | DRAWING NO | |
| | | RESTRICTED TO | |
| | | SCALE | 5:1 |
| | | SHEET | 1 OF 1 |
| | | REV | D |

CUSTOMER DRAWING