

DETAILS

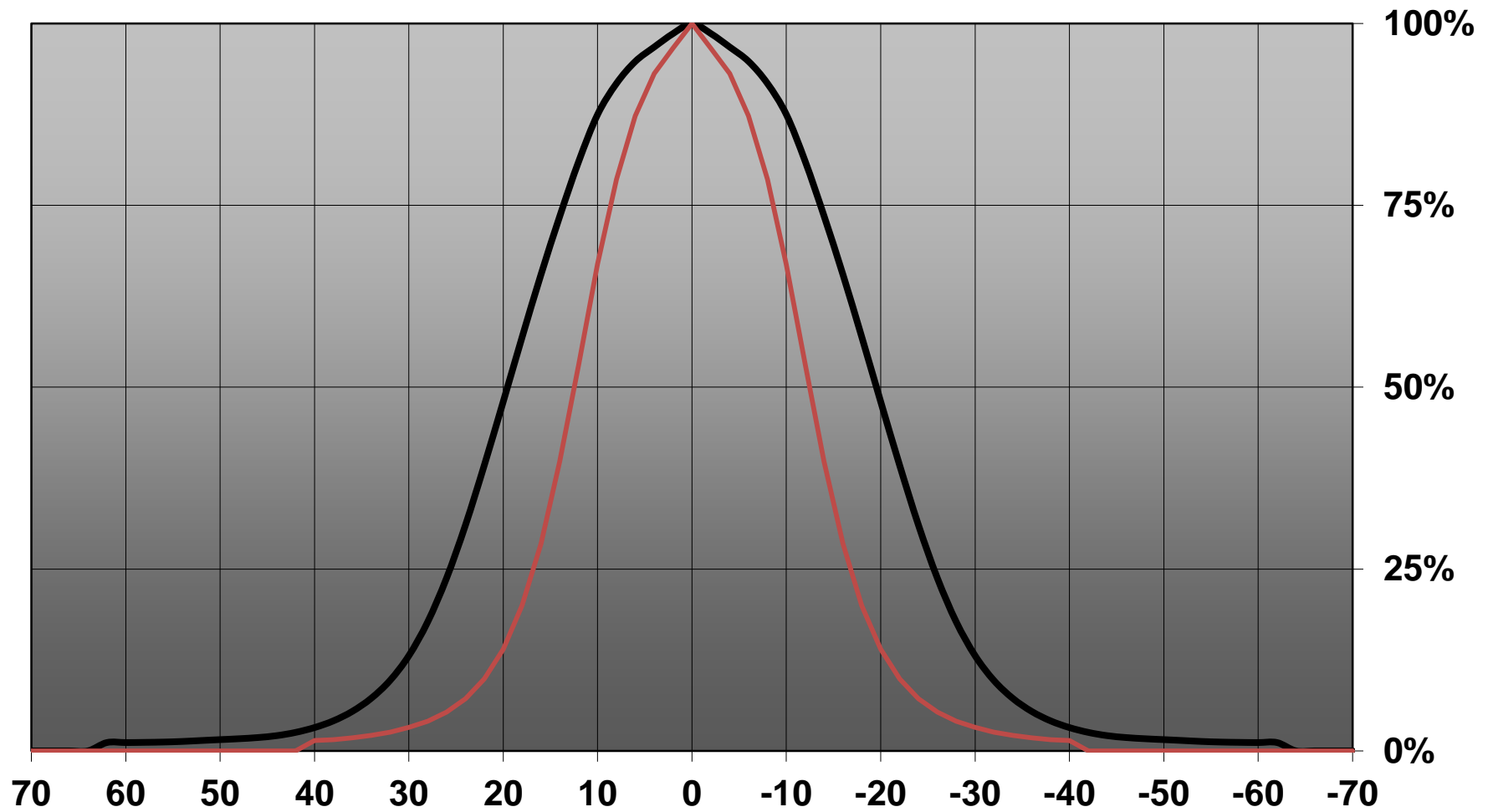
Product Number	FCA12795_IRIS-O
Family	Iris
Type	Assembly
Color	black
Diameter	38 mm
Height	28,6 mm
Style	round
Optic Material	PMMA
Holder Material	PC
Fastening	pin, tape
Status	ready
ROHS Comliant	Yes
Date Updated	8/10/2012

OPTICAL PROPERTIES

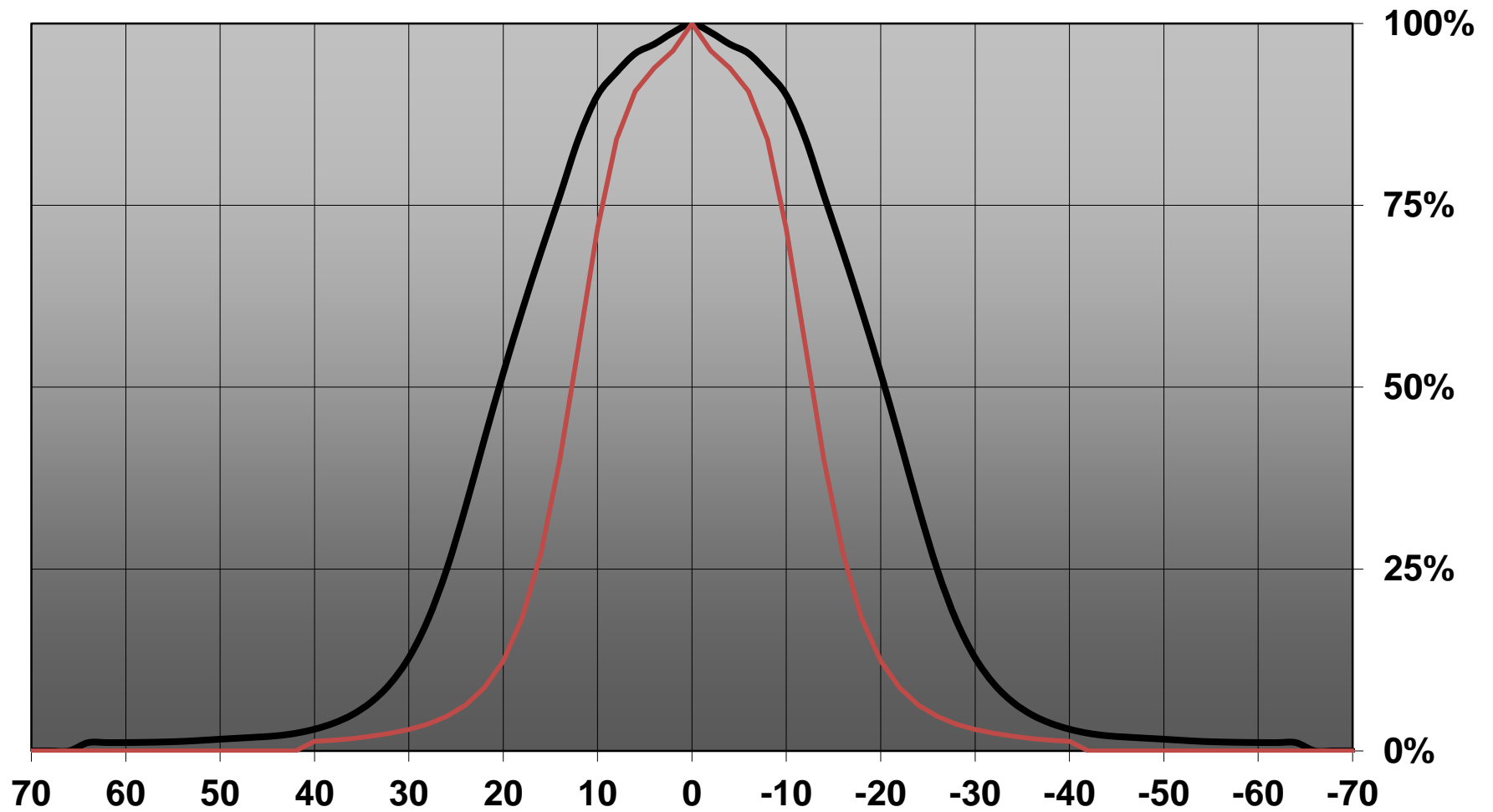
LED	Viewing Angle	Light Beam	Efficiency	cd/lm	Connector
XP-G	37+25 deg	Oval	84 %	1.400	-
XP-E	41+25 deg	Oval	86 %	1.700	-



Relative intensity of FCA12795_IRIS-O & FCN12791_IRIS-O-XPG

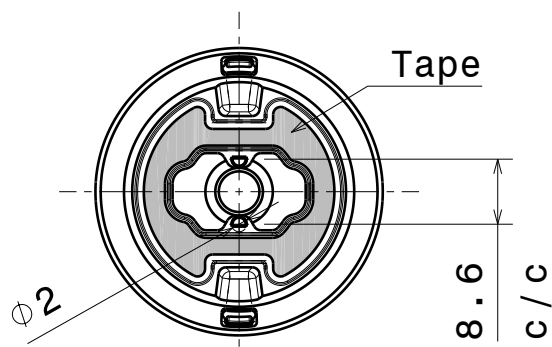


Relative intensity of FCA12795_IRIS-O & FCN12791_IRIS-O-XPE

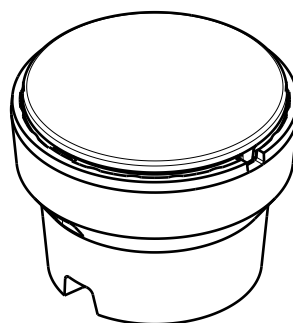


D C B A

4



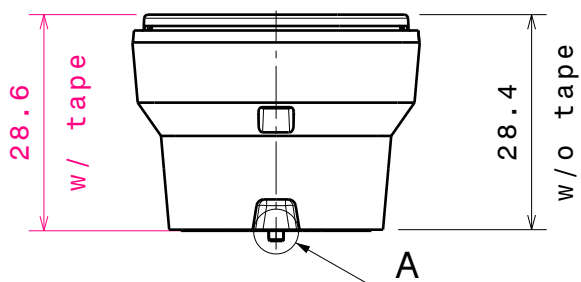
Bottom view



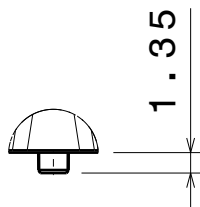
Isometric view

4

3



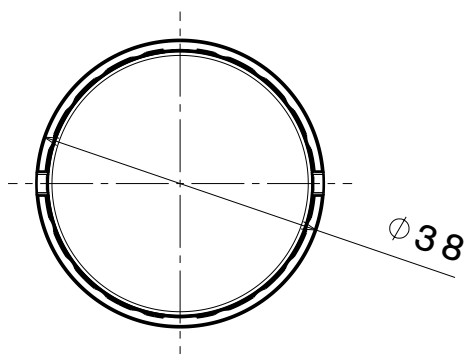
Front view



Detail A

3

2



Top view

2

Materials:

Lens: PMMA
 Sublens: PMMA
 Holder: PC
 Tape: PU Foam

This drawing is our property.
 It can't be reproduced
 or communicated without
 our written agreement.

LEDIL Ledil Oy
 Salorankatu 10
 FIN 24240 SALO
 Finland

DRAWING TITLE | Mechanical drawing
IRIS-XP

DRAWN BY as	DATE 17.8.2012
CHECKED BY sn	DATE -
DESIGNED BY -	DATE -

SIZE A4	PART NUMBER	REV 001
SCALE 1:1	WEIGHT -	SHEET 1/1

1

D

A

NOTE: The typical divergence will be changed by different color, chip size and chip position tolerance. The typical total divergence is the full angle measured where the luminous intensity is half of the peak value.