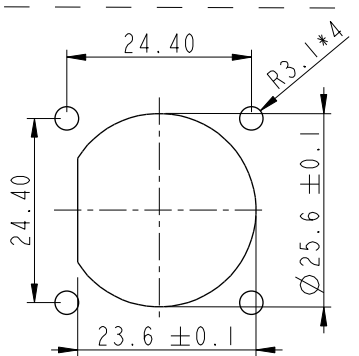
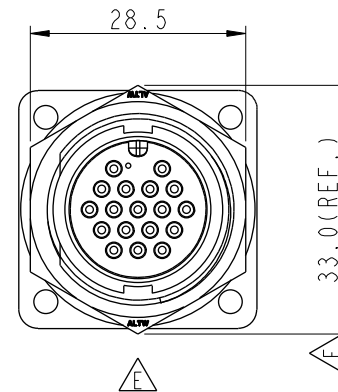
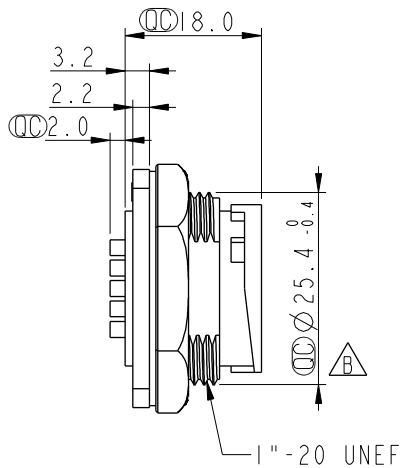
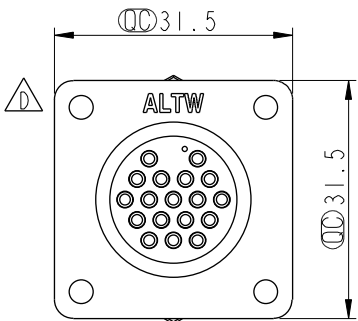
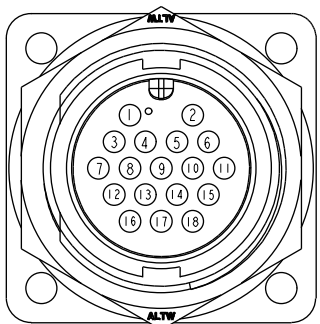


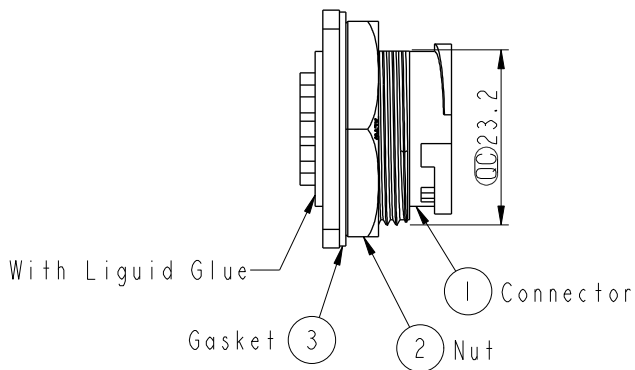
REV.	ECN NO.	DATE	SIGN	DESCRIPTION
D	LEN14C0591	2014/12/23	Sam	Update Logo
E	LEN1660023	2016/05/25	Vicky	Update Nut View & Dime
F	CI90314	2019/03/12	Ruru	Modify Note



Recommended Panel Cut-Out



Pin Assignments Front View



Note: \triangle

- * CC Important Dimension.
- * Waterproof Rate: IP67, Unmated
- * Housing: Thermoplastic, Black
- * Pin: Copper Alloy, Gold Plated
- * Nut: Thermoplastic, Black
- * Gasket: Rubber, Black
- \triangle * Use Waterproof Cap or Dust Cap Panel Thickness Max: 3.0mm
- \triangle * Use without Waterproof Cap or Dust Cap Panel Thickness Max: 4.0mm
- * Gasket and Nut are packed separately in PE bags.

UNIT:mm		TITLE Large Panel Lock 18Pin M Conn M Pin			ITEM NO DD-18PMMS-LS7001	DRAWN BY Ruru	DATE 2019-03-12			
		TOLERANCE .X ±0.25 .XX ±0.1 .XXX ±0.05 ANGLES ±1°			SCALE 1:1	SIZE A4	SHEET 1 OF 1	DWG NO DD-18PMMS-LS7001	CHECKED BY Rita	DATE 2019-03-12
		REV. F	WC-REV. A.2	CC : Inspection item	CUSTOMER ALTW		APPROVED BY Max	DATE 2019-03-12		

Amphenol LTW
安費諾亮泰企業股份有限公司

THIS DOCUMENT IS SUBJECT TO CHANGE WITHOUT NOTICE. IT IS CONFIDENTIAL AND A PROPERTY OF Amphenol LTW. DISCLOSURE TO THIRD PARTY HAS TO BE AUTHORIZED BY Amphenol LTW.