

PHOTO CONTROL BASE AND COVER

TE Connectivity (TE) introduces an ANSI 136.41 compliant 76 mm diameter photo control base assembly and dome cover providing a total TE power and signal interface between the photo control and dimming receptacle. This interface can be used in applications such as LED outdoor roadway, street and area lighting fixtures. The TE base assembly solution includes power twist lock terminals, spring leaf signal terminals and a separately packaged foam gasket. When coupled with the TE dome cover, the assemblies provides an IP66 rated photo control enclosure with a 5VA rated transparent cover.



Applications

- Parking lots
- Pathway and trails
- Parks
- Car dealerships

Electrical

- Positions: 7P (5P available upon request)

Mechanical

- Operating Temperature Range: -40°C to +105° C

Product Specifications

- Product Specification: 108-32125 ANSI C136.41-2013 Dimming Light Controller Base
- Application Specification: 114-32159 ANSI C136.41-2013 Dimming Light Controller Base Assembly and Cover

Materials

- Contact Plating: Tin plated power contacts and gold plated signal contacts
- Housing Color: Base (black) - Cover (clear and transparent)
- Housing Material: Base (94 V0) - Cover (Polycarbonate)

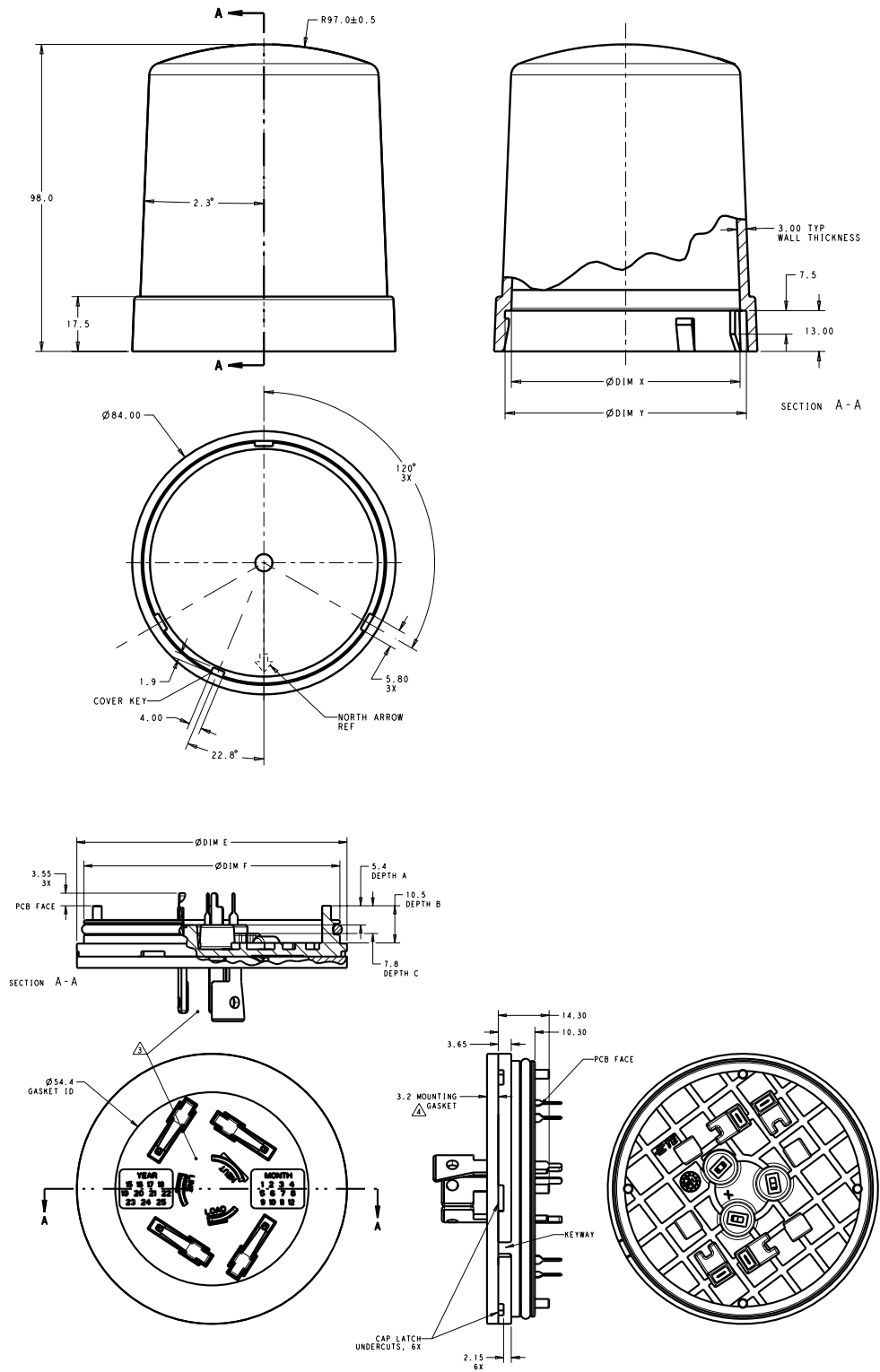
Key Benefits

- Achieve an integrated TE solution that integrates power and signal interface to the dimming receptacle to ensure long term reliability
- Transparent covers are configured to transmit daylight to the light sensing device
- Achieve protection against dust and heavy jet spray with an IP66 rated solution
- Meet the highest UL 94 flammability rating with a 5V A rated cover
- Maximize effectiveness of light sensing devices with the optional clear covers

Product Selection Information

Part Number	Description
2213730-1	Light Controller Base Assembly, 76mm diameter
2213748-1	Cover, Light Controller, for 76mm diameter, Translucent smoke

Dimensions



te.com

© 2016 TE Connectivity Ltd. Family of Companies. All Rights Reserved. TE, TE Connectivity, and the TE connectivity (logo) are trademarks of the TE Connectivity Ltd. family of companies. Other logos, product and Company names mentioned herein may be trademarks of their respective owners.
1-773879-1 JN 5/2016

USA: +1 (800) 522-6752
Canada: +1 (905) 475-6222
Mexico: +52 (0) 55-1106-0800
Latin/S. America: +54 (0) 11-4733-2200
Germany: +49 (0) 6251-133-1999

UK: +44 (0) 800-267666
France: +33 (0) 1-3420-8686
The Netherlands: +31 (0) 73-6246-999
China: +86 (0) 400-820-6015