

MICRO SWITCH

A DIVISION OF MINNEAPOLIS-HONEYWELL REGULATOR COMPANY
FREDERICK, MARYLAND

FED. MFR. CODE 91929

SWITCH - ENCLOSED

CATALOG LISTING

DTF2-2RN-RH

(M) DTF2-2RN
ISSUE 4

DTF2-2RN-RH

M

DRAWING
NUMBER

ISSUE 12
X8

REPLACES

RELEASE NO.

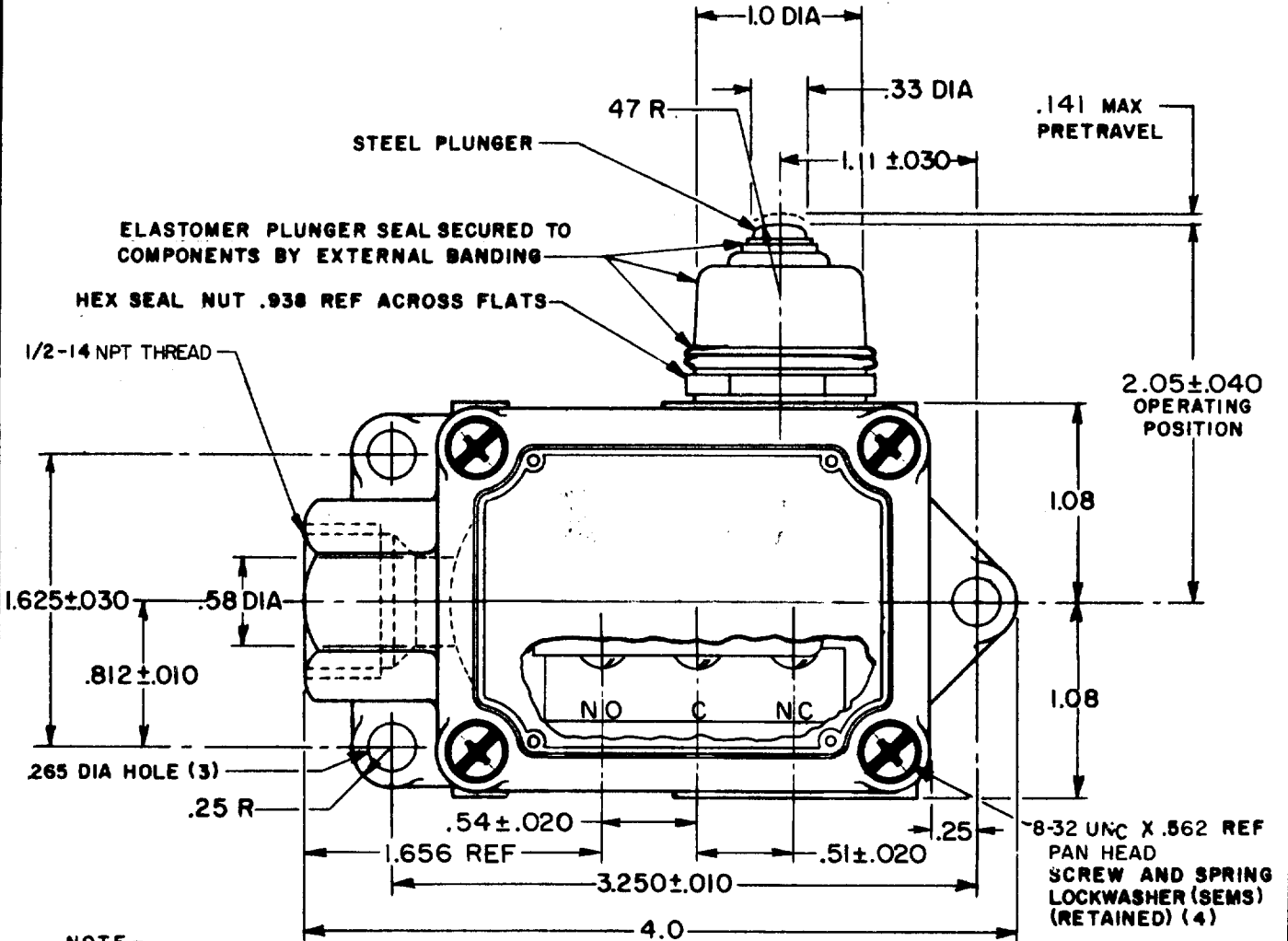
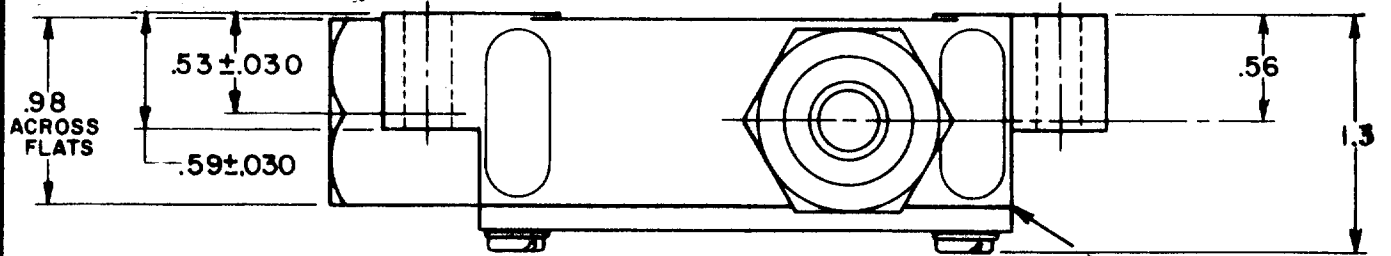
14FEB06

BP

CHECK

REVISIONS

A CO 9600
OMW 27 FEB 59
B CO 46992-C
CJH 9 OCT 80
C CO 51000-C
CJH 18 OCT 83
D CO 54997-W
DJS 22 FEB 86
E CO71134
TSM 27 SEP 91
F CO72788
GJW 12 SEP 92
G CO 77179-C
JJG 12 MAR 94
H 0018962
VKR 14FEB06



NOTE -

1 - 4 - 40 NC X .125 REF ROUND HEAD TERMINAL SCREW AND LOCKWASHER (6)

THIS DRAWING COVERS A PROPRIETARY ITEM AND IS THE PROPERTY OF MICRO SWITCH, A DIVISION OF MINNEAPOLIS-HONEYWELL REGULATOR CO. THIS DRAWING IS NOT TO BE COPIED OR USED WITHOUT THE APPROVAL OF MICRO SWITCH.

| CHARACTERISTICS | ELECTRICAL DATA | | SCALE - FULL |
|---------------------------------------|---|----------------------------|----------------------------|
| OPERATING FORCE----- 2 1/2 LB MAX | CONTACT ARRANGEMENT D P D T | BREAK DISTANCE .020 MIN | DO NOT SCALE PRINT |
| RELEASE FORCE----- 1/4 LB MIN | -L59- 10 A-125 OR 250 VAC 0.3 A-125 VDC ; 0.15 A-250 VDC | | UNLESS OTHERWISE SPECIFIED |
| DIFFERENTIAL TRAVEL ----- .060 MAX | | | DIMENSIONS ARE IN INCHES |
| OVERTRAVEL ----- .156 MIN | | | TOLERANCES ARE: |
| SWITCH-BASIC REPLACEMENT -- DT-2R3-A7 | | | ONE PLACE (.0) ±.030 |
| | | | TWO PLACE (.00) ±.015 |
| | | | THREE PLACE (.000) ±.008 |
| | | | ANGLES ± |
| | | | WEIGHT .500 LB |

FO-50376

DRAWN

CHECK

27 FEB 59

OMW

27 FEB 59