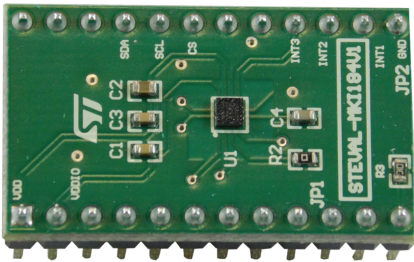


ISM303DAC adapter board for a standard DIL24 socket



Features

- Complete [ISM303DAC](#) pinout for a standard DIL24 socket
- Fully compatible with the [STEVAL-MKI109V3](#) motherboard
- RoHS compliant

Description

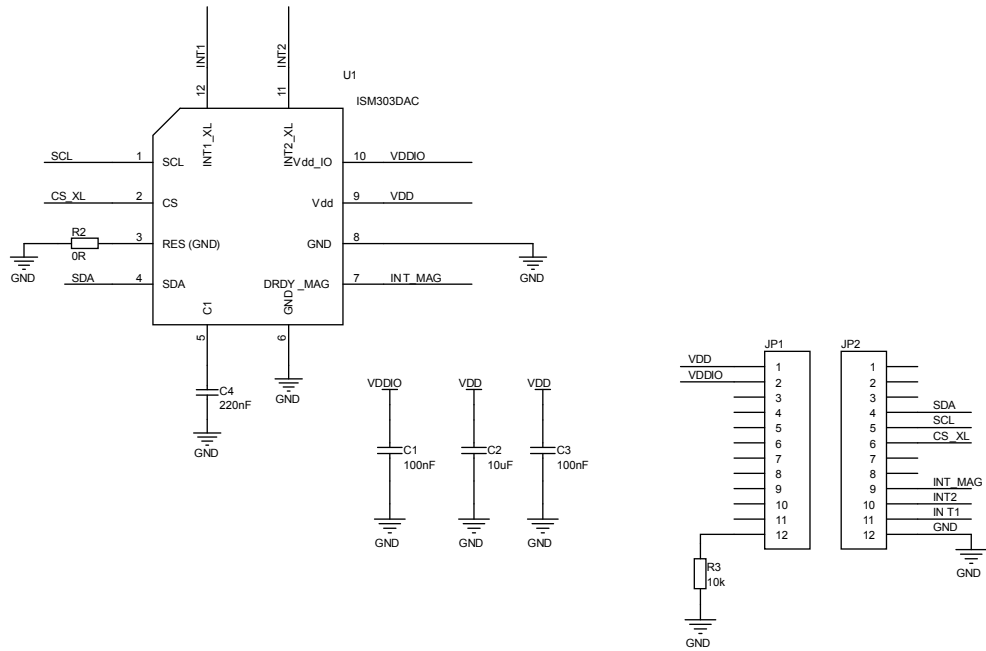
The [STEVAL-MKI184V1](#) adapter board is designed to facilitate the evaluation of MEMS devices in the [ISM303DAC](#) product family. The board offers an effective solution for fast system prototyping and device evaluation directly within the user's application.

The [STEVAL-MKI184V1](#) can be plugged into a standard DIL24 socket. The adapter provides the complete [ISM303DAC](#) pinout and comes ready-to-use with the required decoupling capacitors on the VDD power supply line.

This adapter is supported by the [STEVAL-MKI109V3](#) motherboard, which includes a high performance 32-bit microcontroller functioning as a bridge between the sensor and a PC, on which it is possible to use the downloadable graphical user interface (Unico GUI), or dedicated software routines for customized applications.

Summary table	
STEVAL-MKI184V1 adapter board	STEVAL-MKI184V1
ISM303DAC 3D Accelerometer and 3D Magnetometer module	ISM303DAC
Unico GUI	Windows Linux Mac OS X
STEVAL-MKI109V3 motherboard	STEVAL-MKI109V3

1 Schematic diagrams

Figure 1. STEVAL-MKI184V1 circuit schematic


Revision history

Table 1. Document revision history

Date	Version	Changes
21-Dec-2017	1	Initial release.
05-Jan-2018	2	Updated cover page Summary table Corrected GUI reference name (was Unicleo-GUI) Added eCompass logo

IMPORTANT NOTICE – PLEASE READ CAREFULLY

STMicroelectronics NV and its subsidiaries (“ST”) reserve the right to make changes, corrections, enhancements, modifications, and improvements to ST products and/or to this document at any time without notice. Purchasers should obtain the latest relevant information on ST products before placing orders. ST products are sold pursuant to ST’s terms and conditions of sale in place at the time of order acknowledgement.

Purchasers are solely responsible for the choice, selection, and use of ST products and ST assumes no liability for application assistance or the design of Purchasers’ products.

No license, express or implied, to any intellectual property right is granted by ST herein.

Resale of ST products with provisions different from the information set forth herein shall void any warranty granted by ST for such product.

ST and the ST logo are trademarks of ST. All other product or service names are the property of their respective owners.

Information in this document supersedes and replaces information previously supplied in any prior versions of this document.

© 2018 STMicroelectronics – All rights reserved