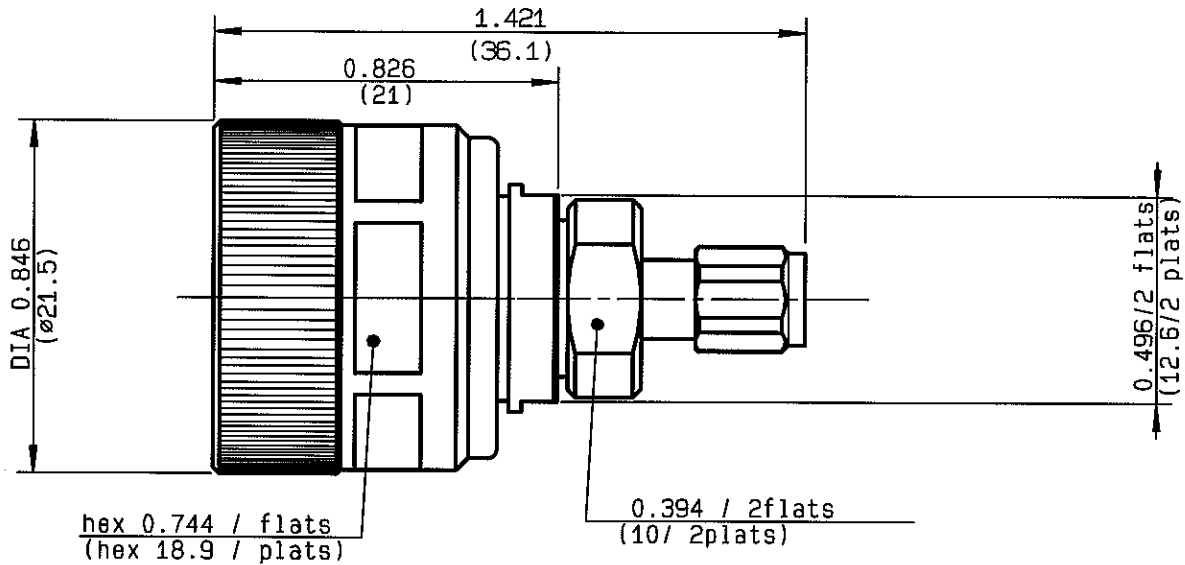


PC7 - SMC FEMALE STRAIGHT ADAPTER

R191.003.000
SERIES ADAPT



NOMINAL IMPEDANCE	50 Ω
FREQUENCY RANGE	0-4 GHz
TEMPERATURE RATING	+13/+33 °C
V.S.W.R	1.05 + .01 x F(GHz)Maxi
RF INSERTION LOSS	0.125 √F(GHz) dB Maxi
VOLTAGE RATING	500 Veff Maxi
DIELECTRIC WITHSTANDING VOLTAGE	1000 Veff Mini
INSULATION RESISTANCE	5000 MΩMini
HERMETIC SEAL	NA Atm.cm ³ /s
LEAKAGE (pressurized only)	NA
MECHANICAL DURABILITY	500 Cycles
WEIGHT	gr
SPECIFICATION	

CABLES :

OTHERS CHARACTERISTICS

CABLE RETENTION	TBD	N Mini
CENTER CONTACT RETENTION		
Axial force - mating end	27	N Mini
Axial force - opposite end	27	N Mini
Torque	3	cm.N Mini
RECOMMENDED TORQUES		
Mating	NA	cm.N
Panel nut	NA	cm.N
Clamp nut	NA	cm.N

CONNECTOR PARTS	MATERIALS	FINISH	(all values are given in micrometers)
BODY	STAINLESS STEEL	GOLD 1.3 OVER NICKEL 2	
OUTER CONTACT			
CENTER CONTACT	BERYLLIUM COPPER	GOLD 1.3 OVER NICKEL 2	
INSULATOR	PTFE,ULTEM	-	
GASKET		-	
OTHERS PIECES	BRASS	NICKEL 2	

TRIQUES

ISSUE	CREATION DATE	FILE PART-NUMBER
0243N00	13/12/1981	DM-9705-028



RADIALL®

The information given here is subject to change without notice. Design changes may be in order to improve the product.

Connect to the future