

PART NAME: KNOB

SCALE: 1:1

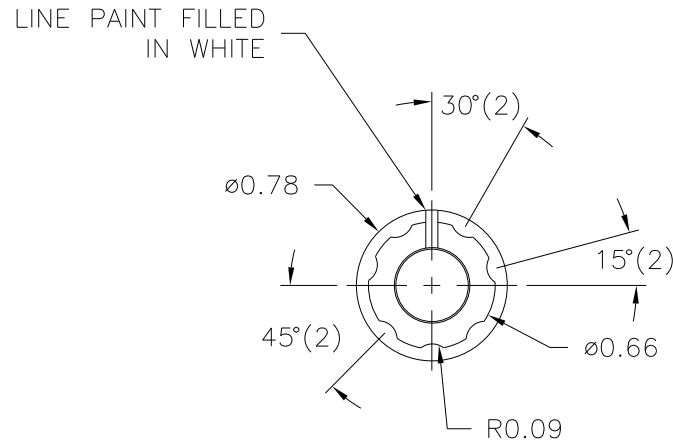
DATE: 4/8/92

DR. BY HD

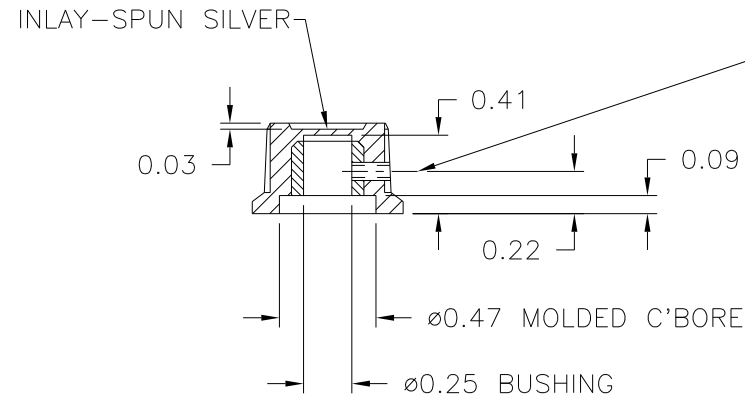
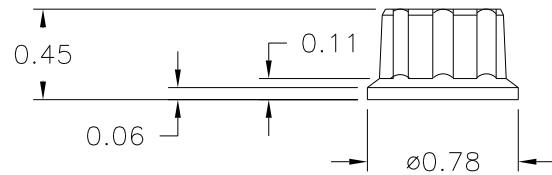
DAVIES MOLDING COMPANY
CAROL STREAM, ILLINOIS 60188

P/N 1100

THIS DRAWING IS THE PROPERTY OF DAVIES MOLDING COMPANY, IS SUBMITTED SOLELY AS A DESIGN OR ENGINEERING PROJECT.
WE ACCEPT NO RESPONSIBILITY WHATSOEVER FOR THE PRACTICAL APPLICATION OF THE PIECES MADE TO THIS DESIGN.



Ⓐ Ⓑ
 M3 X 0.5 TAPPED SET SCREW HOLE
 FULL TREAD REQUIRED IN BODY OF KNOB
 M3 X 0.5 X 4 LG. SLOTTED SET SCREW
 H.H. BRASS



Ⓐ Ⓑ

MATERIAL: PHENOLIC
 COLOR: BLACK

TOLERANCES: UNLESS OTHERWISE SPECIFIED	DO NOT SCALE DRAWING	-	REMOVED ALTERNATE SET SCREW	JAM	8/6/01
DECIMALS: X.XXX ± .005 X.XX ± .015	MM: X.XX ± 0.15MM X.X ± 0.4MM	B	ALTERNATE WAS METRIC	JAM	6/5/01
FRACTIONS ± 1/64	ANG. ± 1°	A	ADDED SET SCREW DETAIL	RF	7/7/98
CHANGES					