

1	Table of Contents
2	Notes
3	MCU
4	TWR-S08UNIV CONNECTOR
5	USB/OSBDM/TGT BDM
6	SENSOR

Revisions			
Rev	Description	Date	Approved
X1	Initial Release	29th Sept 11	PBH
X2	Include TWR-S08UNIV	30th Sept 11	PBH
X3	Remove J1, J2 & changed U5 supplier	10th Oct 11	PBH
X4	Add J9	28th Oct 11	PBH
X5	Remove J9 add R53 and R54	31st Oct 11	PBH
A	Release	1st Nov 11	PBH
A1	Change J5, R11, R12 to 2mm 1x2 headers	12th Dec 11	PBH
B	Release	19th Dec 11	PBH

		Microcontroller Solutions Group 6501 William Cannon Drive West Austin, TX 78735-8598	
<small>This document contains information proprietary to Freescale Semiconductor and shall not be used for engineering design, procurement or manufacture in whole or in part without the express written permission of Freescale Semiconductor.</small>			
Designer: -		Drawing Title: TWR-S08DC-PT60	
Drawn by: -		Page Title: Table of Contents/Revisions	
Approved: -		Size B	Document Number SCH-27325 PDF: SPF-27325
		Date: Monday, December 19, 2011	Sheet 1 of 6


CHANGE NOTES:

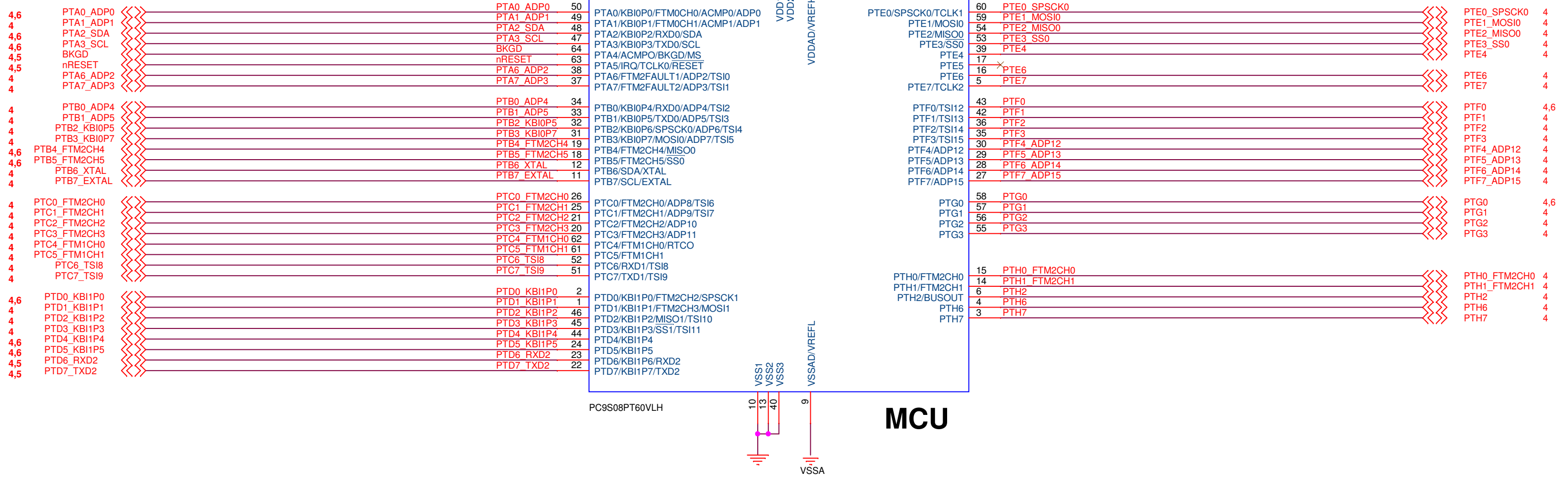
Rev. X2
Added TSI button
5V/3.3V selector via zero ohm resistor
Replaced original J1 & J2 connectors with TWR-S08UNIV connectors
Added sheet 4 to show TWR-S08UNIV connectors
Removed J1 & J2 and switched supplier of U5 to reduce cost

REV X4
Renamed VDD from J3 to VDD_U,
Removed VDDA from pin 8 of J3 and connected pin 8 to pin 6, 7;
Added one jumper J9 to connect VDD_U to VDD when VDD_U is 5V or connect VDD_U to P3V3 when it is 3.3V.
Removed VSSA from pin 9 of J3 and connected pin 9 to pins 10,11, since VSSA is insignificant herein.

REV X5
Removed J9, added R53 and R54

REV A1
Changed J5 from a 2.54mm 1x2 header to a 2mm 1x2 header
Changed R11, R12 from 0ohm resistors to 2mm 1x2 headers (J9, J10)

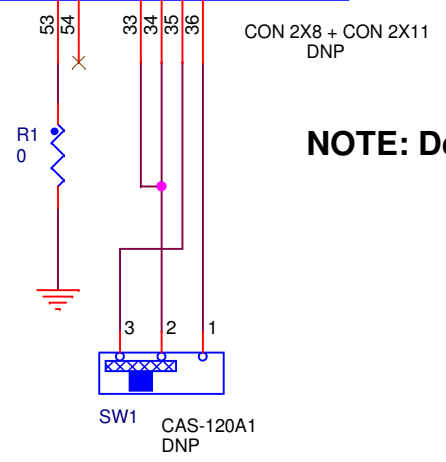
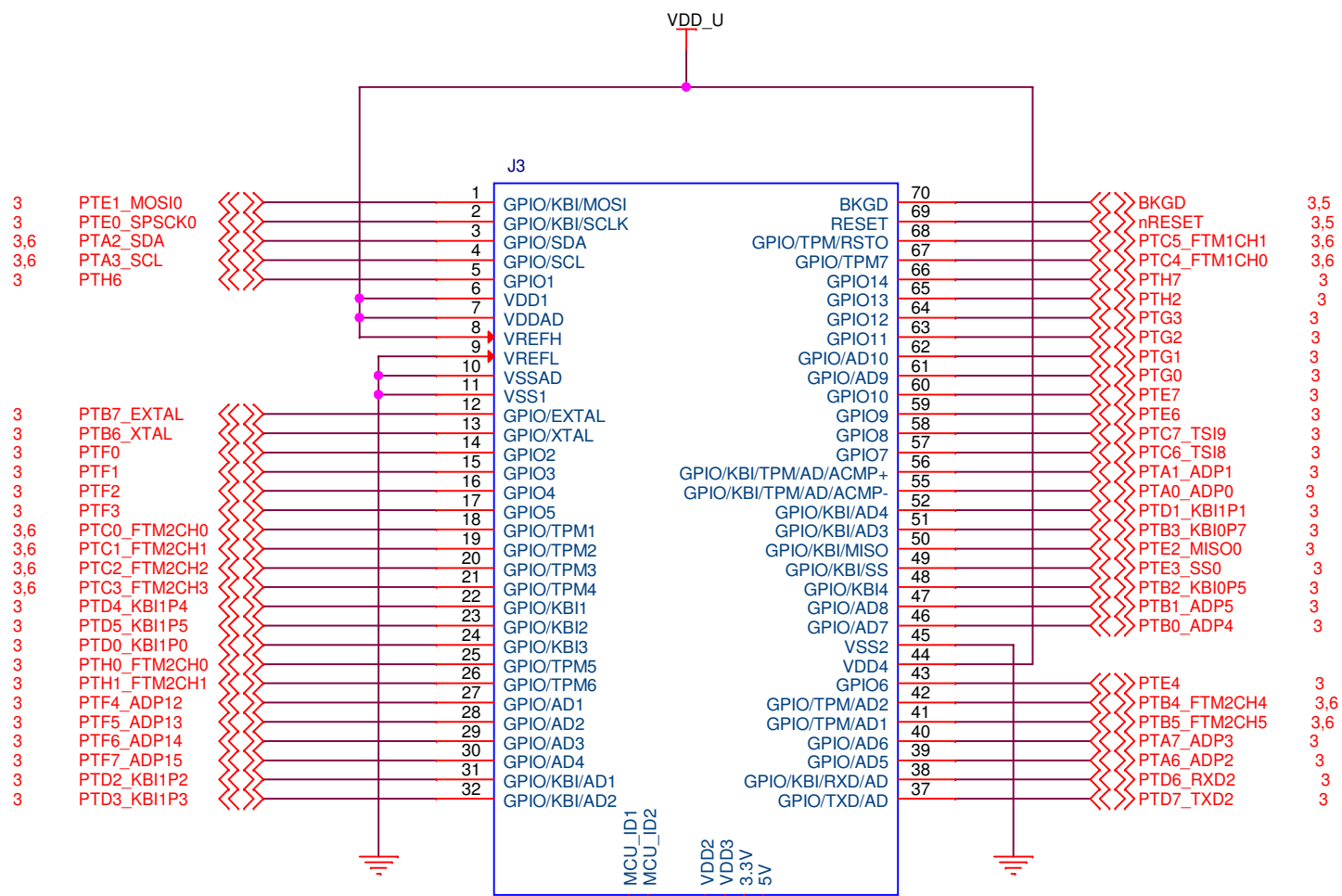
		
ICAP Classification: FCP: _____ FIUO: X PUBI: _____		
Drawing Title: TWR-S08DC-PT60		
Page Title: NOTES		
Size B	Document Number SCH-27325 PDF: SPF-27325	Rev B
Date: Tuesday, December 13, 2011	Sheet 2 of 6	1




ICAP Classification: FCP: _____ FIUO: X PUBLI: _____
 Drawing Title: **TWR-S08DC-PT60**
 Page Title: **MCU**

Size B	Document Number	Rev B
	SCH-27325 PDF: SPF-27325	

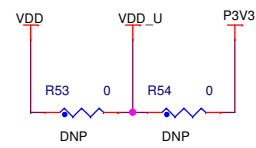
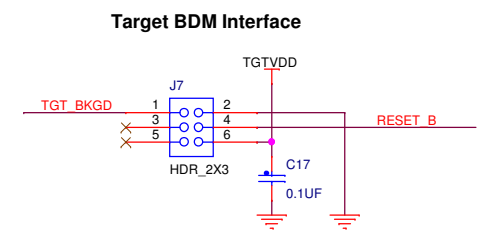
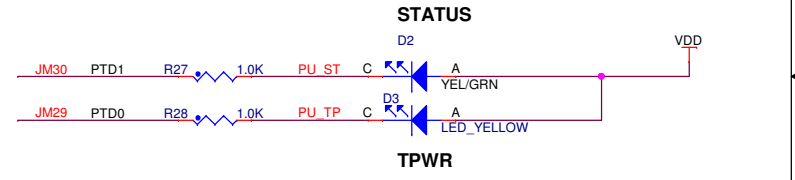
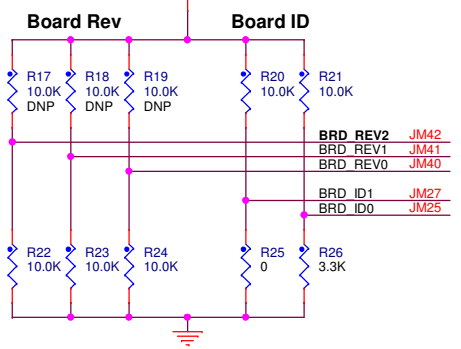
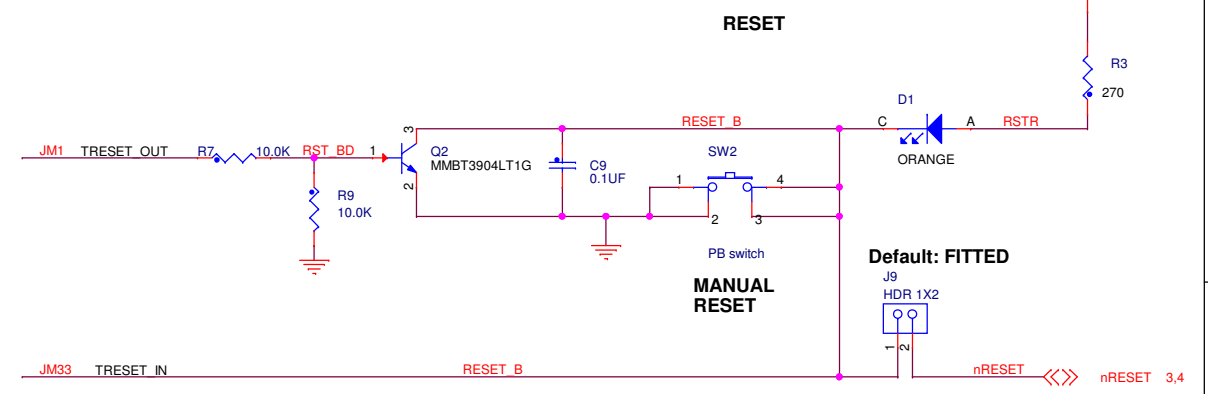
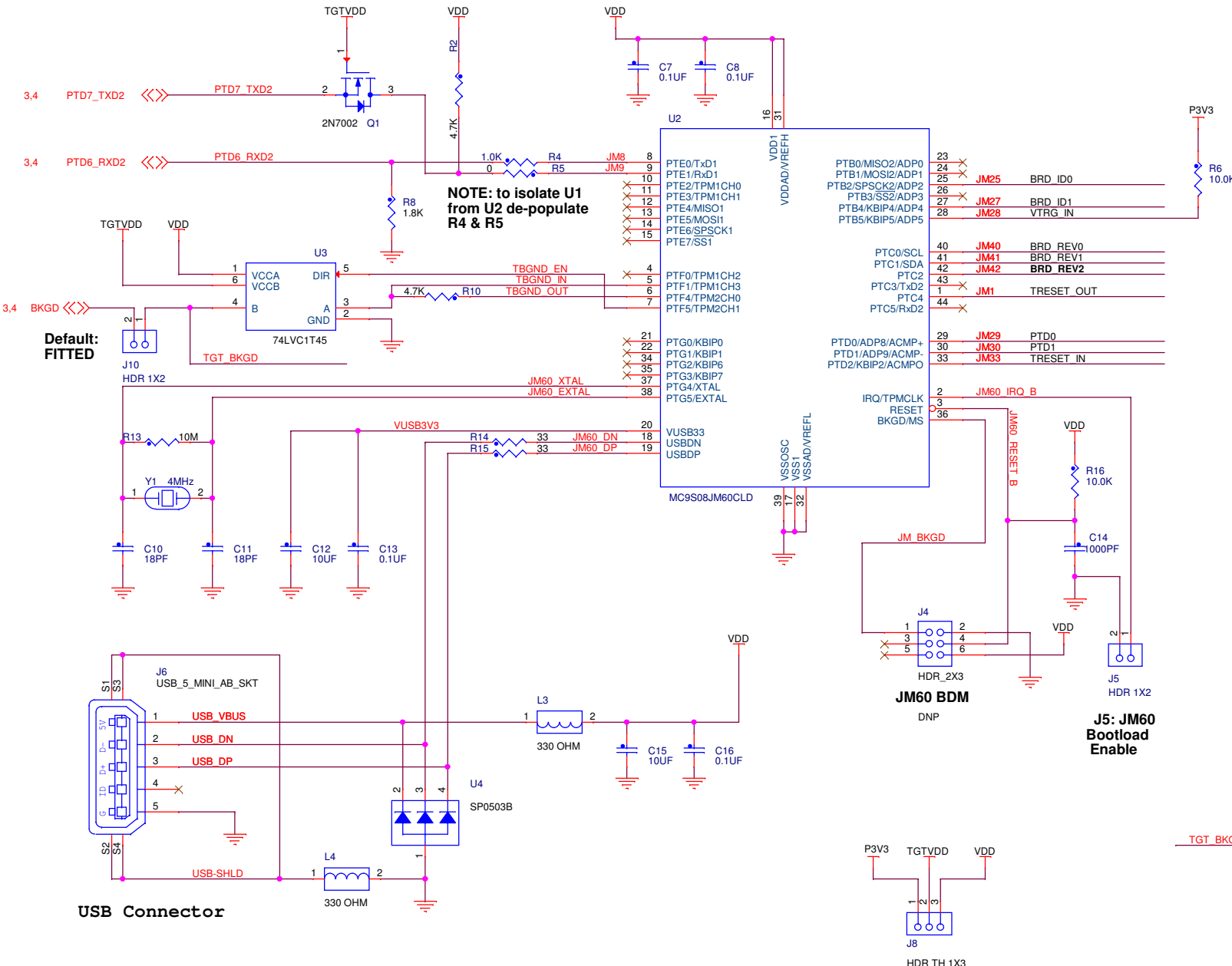
Date: Tuesday, December 13, 2011 | Sheet 3 of 6



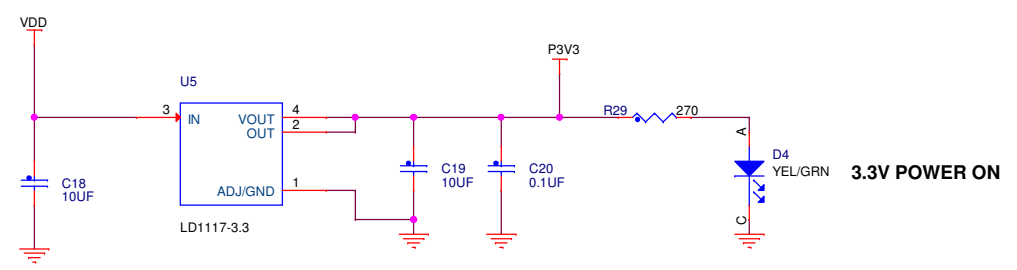
NOTE: Do not populate J3 & SW1 for standalone usage

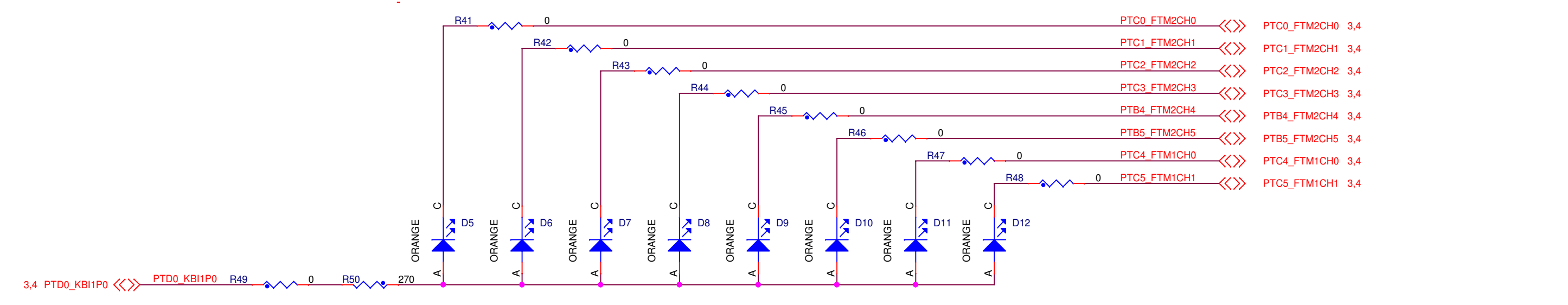
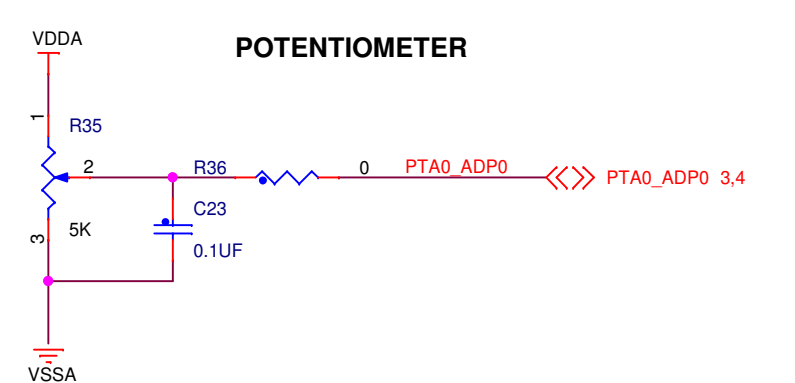
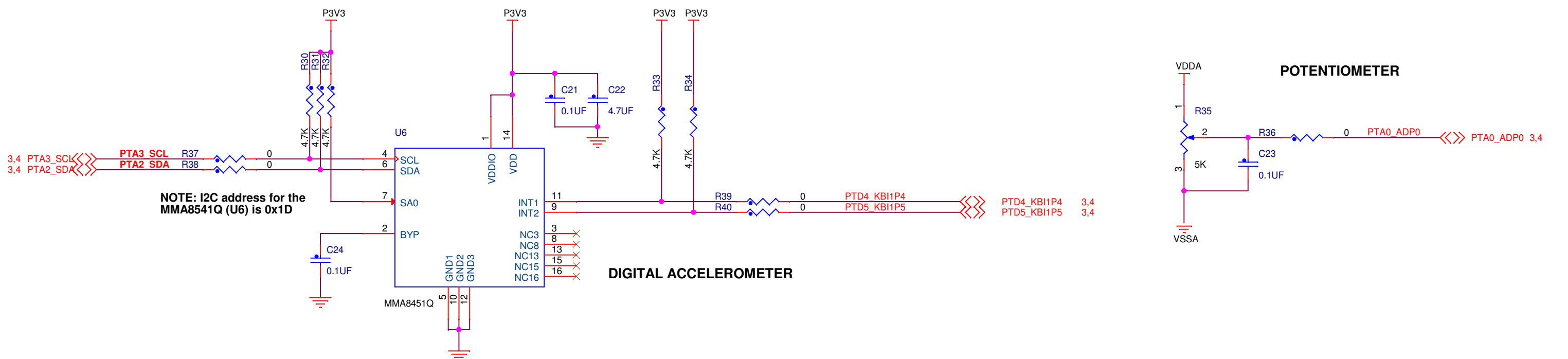
		
ICAP Classification: FCP: _____ FIUO: _____ PUBI: X		
Drawing Title: TWR-S08DC-PT60		
Page Title: DC INTERFACE		
Size B	Document Number SCH-27325 PDF: SPF-27325	Rev B
Date: Tuesday, December 13, 2011	Sheet 4 of 6	1

On Board OSBDM/Serial Bridge

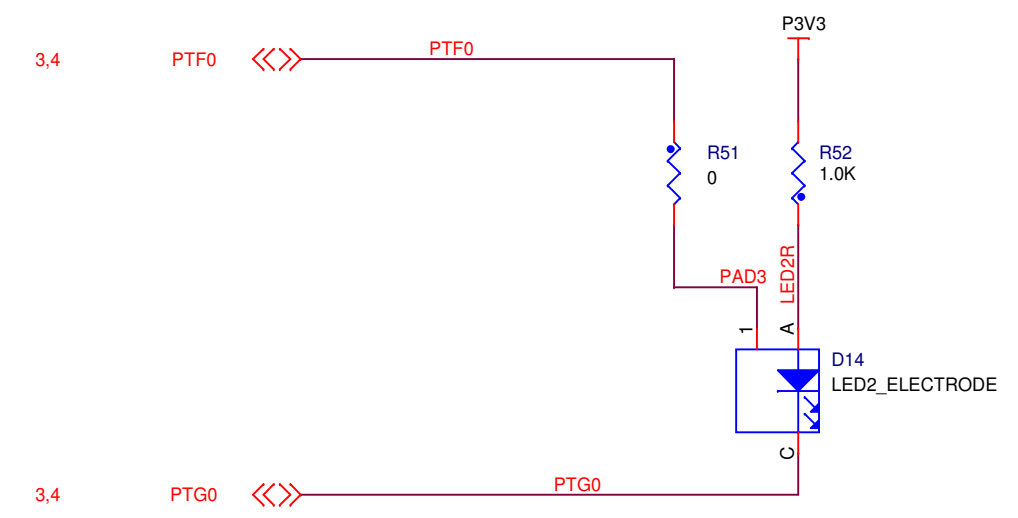


Note: populated when connected to TWR-S08UNIV (Populate R53: when VDD_U is 5V; Populate R54: when VDD_U is 3.3V) and de-populated when disconnected from TWR-S08UNIV





NOTE: please place D5 thru D12 in a 'circle' around U6



ICAP Classification: FCP: _____ FIUO: X PUBI: _____		
Drawing Title: TWR-S08DC-PT60		
Page Title: SENSORS		
Size B	Document Number SCH-27325 PDF: SPF-27325	Rev B
Date: Tuesday, December 13, 2011	Sheet 6 of 6	