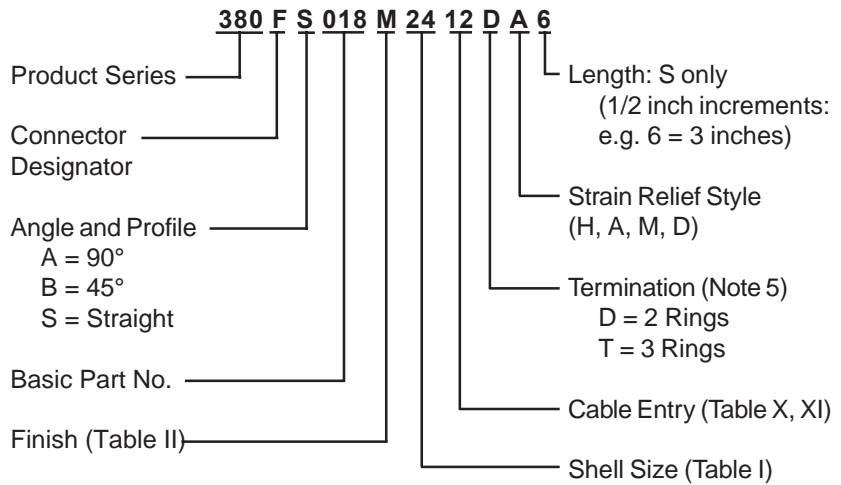


**380-018**  
**EMI/RFI Non-Environmental Backshell**  
**with Strain Relief**  
**Type E - Rotatable Coupling - Low Profile**

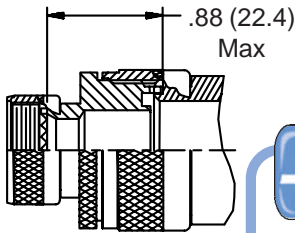
**CONNECTOR  
 DESIGNATORS  
 A-F-H-L-S**

**ROTATABLE  
 COUPLING**

**TYPE E INDIVIDUAL  
 AND/OR OVERALL  
 SHIELD TERMINATION**



**STYLE 2  
 (STRAIGHT  
 See Note 1)**



**STYLE 2  
 (45° & 90°  
 See Note 1)**



**-445** Now Available with the "NESTOR"  
 Glenair's Non-Detent, Spring-Loaded, Self-Locking Coupling. Add "-445" to Specify This AS85049 Style "N" Coupling Interface.

