

FEATURES

Frequency range (global ISM band)
 2400 MHz to 2483.5 MHz
IEEE 802.15.4-2006-compatible (250 kbps)
Low power consumption
 19 mA (typical) in receive mode
 21.5 mA (typical) in transmit mode ($P_o = 3$ dBm)
 1.7 μ A, 32 kHz crystal oscillator wake-up mode
High sensitivity
 -95 dBm at 250 kbps
Programmable output power
 -20 dBm to +4.8 dBm in 2 dB steps
Integrated voltage regulators
 1.8 V to 3.6 V input voltage range
Excellent receiver selectivity and blocking resilience
 Zero-IF architecture
 Complies with EN300 440 Class 2, EN300 328, FCC CFR47
 Part 15, ARIB STD-T66
Digital RSSI measurement
Fast automatic VCO calibration
Automatic RF synthesizer bandwidth optimization

On-chip low power processor performs
 Radio control
 Packet management
Packet management support
 Insertion/detection of preamble address/SFD/FCS
 IEEE 802.15.4-2006 frame filtering
 IEEE 802.15.4-2006 CSMA/CA unslotted modes
Flexible 256-byte transmit/receive data buffer
SPORT mode
Flexible multiple RF port interface
 External PA/LNA support hardware
 Switched antenna diversity support
Wake-up timer
Very few external components
 Integrated PLL loop filter, receive/transmit switch, battery
 monitor, temperature sensor, 32 kHz RC and crystal
 oscillators
Flexible SPI control interface with block read/write access
Small form factor 5 mm \times 5 mm 32-lead LFCSP package

APPLICATIONS

Wireless sensor networks
 Automatic meter reading/smart metering
 Industrial wireless control
 Healthcare
 Wireless audio/video
 Consumer electronics
 ZigBee

FUNCTIONAL BLOCK DIAGRAM

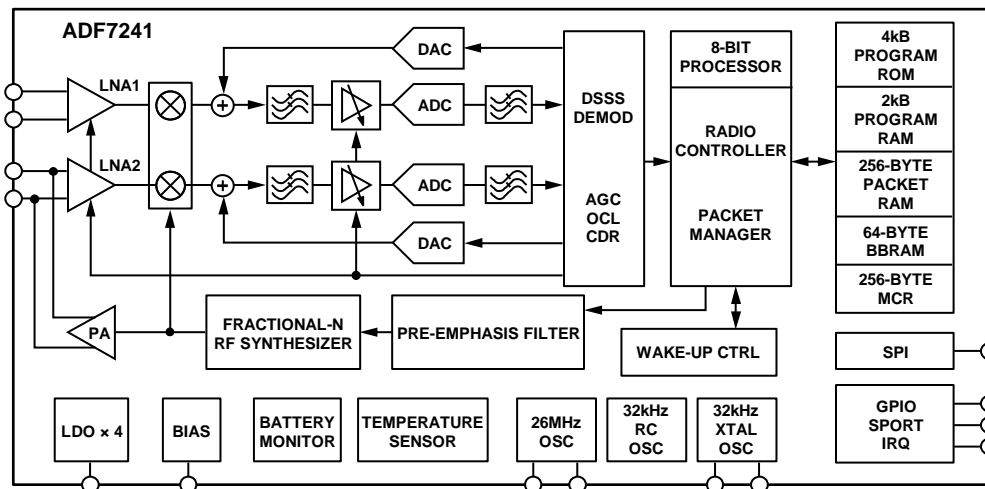


Figure 1.

09322-001

Rev. 0

Information furnished by Analog Devices is believed to be accurate and reliable. However, no responsibility is assumed by Analog Devices for its use, nor for any infringements of patents or other rights of third parties that may result from its use. Specifications subject to change without notice. No license is granted by implication or otherwise under any patent or patent rights of Analog Devices. Trademarks and registered trademarks are the property of their respective owners.

TABLE OF CONTENTS

| | | | |
|--|----|--|----|
| Features | 1 | Automatic TX-to-RX Turnaround Mode | 37 |
| Applications | 1 | IEEE 802.15.4 Frame Filtering, Automatic Acknowledge, and Automatic CSMA/CA | 37 |
| Functional Block Diagram | 1 | Receiver Radio Blocks | 39 |
| Revision History | 2 | SPORT Interface | 40 |
| General Description | 3 | SPORT Mode | 40 |
| Specifications | 5 | Device Configuration | 41 |
| General Specifications | 5 | Configuration Values | 41 |
| RF Frequency Synthesizer Specifications | 5 | RF Port Configurations/Antenna Diversity | 42 |
| Transmitter Specifications | 6 | Auxiliary Functions | 43 |
| Receiver Specifications | 6 | Temperature Sensor | 43 |
| Auxiliary Specifications | 8 | Battery Monitor | 43 |
| Current Consumption Specifications | 9 | Wake-Up Controller (WUC) | 43 |
| Timing and Digital Specifications | 9 | Transmit Test Modes | 44 |
| Timing Diagrams | 11 | Serial Peripheral interface (SPI) | 45 |
| Absolute Maximum Ratings | 15 | General Characteristics | 45 |
| ESD Caution | 15 | Command Access | 45 |
| Pin Configuration and Function Descriptions | 16 | Status Word | 45 |
| Typical Performance Characteristics | 18 | Memory Map | 47 |
| Terminology | 22 | BBRAM | 47 |
| Radio Controller | 23 | Modem Configuration RAM (MCR) | 47 |
| Sleep Modes | 25 | Program ROM | 47 |
| RF Frequency Synthesizer | 26 | Program RAM | 47 |
| RF Frequency Synthesizer Calibration | 26 | Packet RAM | 47 |
| RF Frequency Synthesizer Bandwidth | 27 | Memory Access | 49 |
| RF Channel Frequency Programming | 27 | Writing to the ADF7241 | 50 |
| Reference Crystal Oscillator | 27 | Reading from the ADF7241 | 50 |
| Transmitter | 28 | Downloadable Firmware Modules | 53 |
| Transmit Operating Modes | 28 | Interrupt Controller | 54 |
| IEEE 802.15.4 Automatic RX-To-TX Turnaround Mode | 30 | Configuration | 54 |
| Power Amplifier | 30 | Description of Interrupt Sources | 55 |
| Receiver | 33 | Applications Circuits | 56 |
| Receive Operation | 33 | Register Map | 60 |
| Receiver Calibration | 33 | Outline Dimensions | 71 |
| Receive Timing and Control | 35 | Ordering Guide | 71 |
| Clear Channel Assessment (CCA) | 36 | | |
| Link Quality Indication (LQI) | 36 | | |

REVISION HISTORY

1/11—Revision 0: Initial Version

GENERAL DESCRIPTION

The ADF7241 is a highly integrated, low power, and high performance transceiver for operation in the global 2.4 GHz ISM band. It is designed with emphasis on flexibility, robustness, ease of use, and low current consumption. The IC supports the IEEE 802.15.4-2006 2.4 GHz PHY requirements in both packet and data streaming modes. With a minimum number of external components, it achieves compliance with the FCC CFR47 Part 15, ETSI EN 300 440 (Equipment Class 2), ETSI EN 300 328 (FHSS, DR > 250 kbps), and ARIB STD T-66 standards.

The ADF7241 complies with the IEEE 802.15.4-2006 2.4 GHz PHY requirements with a fixed data rate of 250 kbps and DSSS-OQPSK modulation. The transmitter path of the ADF7241 is based on a direct closed-loop VCO modulation scheme using a low noise fractional-N RF frequency synthesizer. The automatically calibrated VCO operates at twice the fundamental frequency to reduce spurious emissions and avoid PA pulling effects. The bandwidth of the RF frequency synthesizer is automatically optimized for transmit and receive operations to achieve best phase noise, modulation quality, and synthesizer settling time performance. The transmitter output power is programmable from -20 dBm to +4 dBm with automatic PA ramping to meet transient spurious specifications. An integrated biasing and control circuit is available in the IC to significantly simplify the interface to external PAs.

The receive path is based on a zero-IF architecture enabling very high blocking resilience and selectivity performance, which are critical performance metrics in interference dominated environments such as the 2.4 GHz band. In addition, the architecture does not suffer from any degradation of blocker rejection in the image channel, which is typically found in low IF receivers. The IC can operate with a supply voltage between 1.8 V and 3.6 V with very low power consumption in receive and transmit modes while maintaining its excellent RF performance, making it especially suitable for battery-powered systems.

The ADF7241 features a flexible dual-port RF interface that can be used with an external LNA and/or PA in addition to supporting switched antenna diversity.

The ADF7241 incorporates a very low power custom 8-bit processor that supports a number of transceiver management functions. These functions are handled by the two main modules of the processor: the radio controller and the packet manager.

The radio controller manages the state of the IC in various operating modes and configurations. The host MCU can use single byte commands to interface to the radio controller. In transmit mode, the packet manager can be configured to add preamble and SFD to the payload data stored in the on-chip packet RAM. In receive mode, the packet manager can detect and generate an interrupt to the MCU upon receiving a valid SFD, and store the received data payload in the packet RAM. A total of 256 bytes of transmit and receive packet RAM space is provided to decouple the over-the-air data rate from the host MCU processing speed. Thus, the ADF7241 packet manager eases the processing burden on the host MCU and saves the overall system power consumption.

In addition, for applications that require data streaming, a synchronous bidirectional serial port (SPORT) provides bit-level input/output data, and has been designed to directly interface to a wide range of DSPs, such as ADSP-21xx, SHARC®, TigerSHARC®, and Blackfin®. The SPORT interface can optionally be used.

The processor also permits the download and execution of a set of firmware modules, which include IEEE 802.15.4 automatic modes, such as node address filtering, as well as unslotted CSMA/CA. Execution code for these firmware modules is available from Analog Devices, Inc.

To further optimize the system power consumption, the ADF7241 features an integrated low power 32 kHz RC wake-up oscillator, which is calibrated from the 26 MHz crystal oscillator while the transceiver is active. Alternatively, an integrated 32 kHz crystal oscillator can be used as a wake-up timer for applications requiring very accurate wake-up timing. A battery backed-up RAM (BBRAM) is available on the IC where IEEE 802.15.4-2006 network node addresses can be retained when the IC is in the sleep state.

The ADF7241 also features a very flexible interrupt controller, which provides MAC-level and PHY-level interrupts to the host MCU. The IC is equipped with a SPI interface, which allows burst mode data transfer for high data throughput efficiency. The IC also integrates a temperature sensor with digital read-back and a battery monitor.

ADF7241

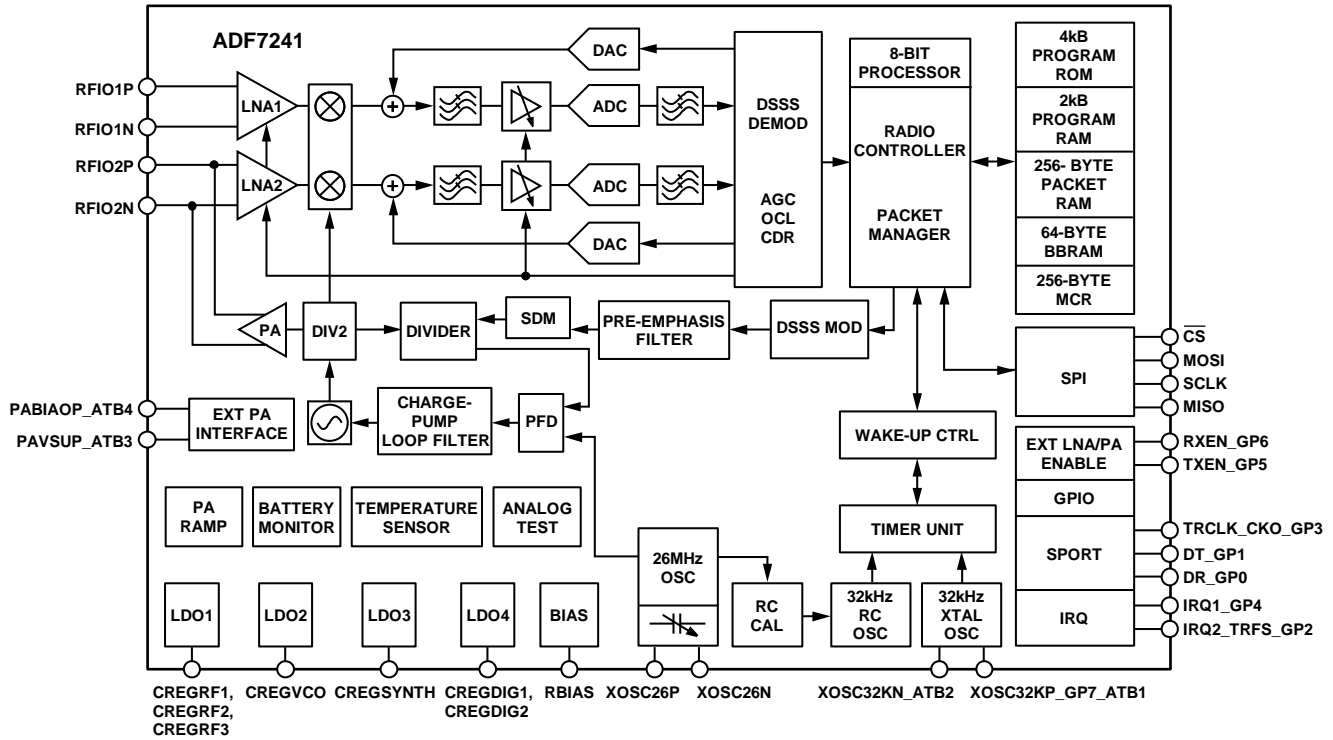


Figure 2. Detailed Functional Block Diagram

09322-011

SPECIFICATIONS

VDD_BAT = 1.8 V to 3.6 V, GND = 0 V, T_A = T_{MIN} to T_{MAX}, unless otherwise noted. Typical specifications are at VDD_BAT = 3.6 V, T_A = 25°C, f_{CHANNEL} = 2450 MHz. All measurements are performed using the ADF7241 reference design, RFIO2 port, unless otherwise noted.

GENERAL SPECIFICATIONS

Table 1.

| Parameter | Min | Typ | Max | Unit | Test Conditions |
|-----------------------------|------|-----|--------|------|-----------------|
| GENERAL PARAMETERS | | | | | |
| Voltage Supply Range | | | | | |
| VDD_BAT Input | 1.8 | | 3.6 | V | |
| Frequency Range | 2400 | | 2483.5 | MHz | |
| Operating Temperature Range | -40 | | +85 | °C | |
| Data Rate | | 250 | | kbps | |

RF FREQUENCY SYNTHESIZER SPECIFICATIONS

Table 2.

| Parameter | Min | Typ | Max | Unit | Test Conditions |
|--------------------------------------|-----|-------|-----|---------|---|
| CHANNEL FREQUENCY RESOLUTION | | 10 | | kHz | |
| PHASE ERROR | | 3 | | Degrees | Receive mode; integration bandwidth from 10 kHz to 400 kHz |
| | | 1.5 | | Degrees | Transmit mode; integration bandwidth from 10 kHz to 1800 kHz |
| VCO CALIBRATION TIME | | 52 | | μs | Applies to all modes |
| SYNTHESIZER SETTling TIME | | 53 | | μs | Frequency synthesizer settled to <±5 ppm of the target frequency within this time following a VCO calibration |
| | | 80 | | μs | Receive mode Transmit mode |
| PHASE NOISE | | -135 | | dBc/Hz | Receive mode 10 MHz frequency offset |
| | | -145 | | dBc/Hz | ≥50 MHz frequency offset |
| REFERENCE AND CLOCK-RELATED SPURIOUS | | 70 | | dBc | Receive mode; f _{CHANNEL} = 2405 MHz, 2450 MHz, and 2480 MHz |
| INTEGER BOUNDARY SPURS | | 60 | | dBc | Receive mode; measured at 400 kHz offset from f _{CHANNEL} = 2405 MHz, 2418 MHz, 2431 MHz, 2444 MHz, 2457 MHz, 2470 MHz |
| CRYSTAL OSCILLATOR | | | | | |
| Crystal Frequency | | 26 | | MHz | Parallel load resonant crystal |
| Maximum Parallel Load Capacitance | | 18 | | pF | |
| Minimum Parallel Load Capacitance | | 7 | | pF | |
| Maximum Crystal ESR | | 365.3 | | Ω | Guarantees maximum crystal frequency error of 0.2 ppm; 33 pF on XOSC26P and XOSC26N |
| Sleep-to-Idle Wake-Up Time | | 300 | | μs | |

ADF7241

TRANSMITTER SPECIFICATIONS

Table 3.

| Parameter | Min | Typ | Max | Unit | Test Conditions |
|---|-----|--------------|-----|----------|---|
| TRANSMITTER SPECIFICATIONS | | | | | |
| Maximum Transmit Power | | 3 | | dBm | |
| Minimum Transmit Power | | -25 | | dBm | |
| Maximum Transmit Power (High Power Mode) | | 4.8 | | dBm | Refer to Power Amplifier section for details on how to enable this mode |
| Minimum Transmit Power (High Power Mode) | | -22 | | dBm | |
| Transmit Power Variation | | 2 | | dB | Transmit power = 3 dBm, $f_{\text{CHANNEL}} = 2400 \text{ MHz to } 2483.5 \text{ MHz}$, $T_A = -40^\circ\text{C to } +85^\circ\text{C}$, $V_{\text{DD_BAT}} = 1.8 \text{ V to } 3.6 \text{ V}$ |
| Transmit Power Control Resolution | | 2 | | dB | Transmit power = 3 dBm |
| Optimum PA Matching Impedance | | 43.7 + 35.2j | | Ω | For maximum transmit power = 3 dBm |
| Harmonics and Spurious Emissions | | | | | |
| Compliance with ETSI EN 300 440 | | | | | |
| 25 MHz to 30 MHz | | | -36 | dBm | Unmodulated carrier, 10 kHz RBW ¹ |
| 30 MHz to 1 GHz | | | -36 | dBm | Unmodulated carrier, 100 kHz RBW ¹ |
| 47 MHz to 74 MHz, 87.5 MHz to 118 MHz, 174 MHz to 230 MHz, 470 MHz to 862 MHz | | | -54 | dBm | Unmodulated carrier, 100 kHz RBW ¹ |
| Otherwise Above 1 GHz | | | -30 | dBm | Unmodulated carrier, 1 MHz RBW ¹ |
| Compliance with ETSI EN 300 328 | | | | | |
| 1800 MHz to 1900 MHz | | | -47 | dBm | Unmodulated carrier |
| 5150 MHz to 5300 MHz | | | -97 | dBm/Hz | |
| Compliance with FCC CFR47, Part 15 | | | | | |
| 4.5 GHz to 5.15 GHz | | | -41 | dBm | 1 MHz RBW ¹ |
| 7.25 GHz to 7.75 GHz | | | -41 | dBm | 1 MHz RBW ¹ |
| Transmit EVM | | 2 | | % | Measured using Rohde & Schwarz FSU vector analyzer with Zigbee™ option |
| Transmit EVM Variation | | 1 | | % | $f_{\text{CHANNEL}} = 2405 \text{ MHz to } 2480 \text{ MHz}$, $T_A = -40^\circ\text{C to } +85^\circ\text{C}$, $V_{\text{DD_BAT}} = 1.8 \text{ V to } 3.6 \text{ V}$ |
| Transmit PSD Mask | | -56 | | dBm | RBW = 100 kHz; $ f - f_{\text{CHANNEL}} > 3.5 \text{ MHz}$ |
| Transmit 20 dB Bandwidth | | 2252 | | MHz | |

¹ RBW = resolution bandwidth.

RECEIVER SPECIFICATIONS

Table 4.

| Parameter | Min | Typ | Max | Unit | Test Conditions |
|--|-----|-------|-----|------|---|
| GENERAL RECEIVER SPECIFICATIONS | | | | | |
| RF Front-End LNA and Mixer IIP3 | | | | | |
| | | -13.6 | | dBm | At maximum gain, $f_{\text{BLOCKER1}} = 5 \text{ MHz}$, $f_{\text{BLOCKER2}} = 10.1 \text{ MHz}$, $P_{\text{RF,IN}} = -35 \text{ dBm}$ |
| | | -12.6 | | dBm | At maximum gain, $f_{\text{BLOCKER1}} = 20 \text{ MHz}$, $f_{\text{BLOCKER2}} = 40.1 \text{ MHz}$, $P_{\text{RF,IN}} = -35 \text{ dBm}$ |
| | | -10.5 | | dBm | At maximum gain, $f_{\text{BLOCKER1}} = 40 \text{ MHz}$, $f_{\text{BLOCKER2}} = 80.1 \text{ MHz}$, $P_{\text{RF,IN}} = -35 \text{ dBm}$ |

| Parameter | Min | Typ | Max | Unit | Test Conditions |
|---|-----|--------------|-----|---------------|---|
| RF Front-End LNA and Mixer IIP2 | | 24.7 | | dBm | At maximum gain, $f_{\text{BLOCKER1}} = 5 \text{ MHz}$, $f_{\text{BLOCKER2}} = 5.5 \text{ MHz}$, $P_{\text{RF,IN}} = -50 \text{ dBm}$ |
| RF Front-End LNA and Mixer 1 dB Compression Point | | -20.5 | | dBm | At maximum gain |
| Receiver LO Level at RFIO2 Port | | -100 | | dBm | IEEE 802.15.4 packet mode |
| LNA Input Impedance at RFIO1x Port | | 50.2 – 52.2j | | Ω | Measured in RX state |
| LNA Input Impedance at RFIO2x Port | | 74.3 – 10.7j | | Ω | Measured in RX state |
| Receive Spurious Emissions Compliant with EN 300 440 | | | | | |
| 30 MHz to 1000 MHz | | | -57 | dBm | |
| 1 GHz to 12.75 GHz | | | -47 | dBm | |
| RECEIVE PATH IEEE 802.15.4-2006 MODE | | | | | |
| Sensitivity ($P_{\text{rf,in,min}}$, IEEE 802.15.4) | | -95 | | dBm | 1% PER with PSDU length of 20 bytes according to the IEEE 802.15.4-2006 standard |
| Saturation Level | | -15 | | dBm | 1% PER with PSDU length of 20 bytes |
| CW Blocker Rejection | | | | | $P_{\text{RF,IN}} = P_{\text{RF,IN,MIN}}$, IEEE 802.15.4 + 3 dB |
| ±5 MHz | | 55 | | dB | |
| ±10 MHz | | 60 | | dB | |
| ±20 MHz | | 63 | | dB | |
| ±30 MHz | | 64 | | dB | |
| Modulated Blocker Rejection | | | | | $P_{\text{RF,IN}} = P_{\text{RF,IN,MIN}}$, IEEE 802.15.4 + 3 dB |
| ±5 MHz | | 48 | | dB | |
| ±10 MHz | | 61 | | dB | |
| ±15 MHz | | 62.5 | | dB | |
| ±20 MHz | | 65 | | dB | |
| ±30 MHz | | 65 | | dB | |
| Co-Channel Rejection | | -6 | | dB | $P_{\text{RF,IN}} = P_{\text{RF,IN,MIN}} + 10 \text{ dB}$ modulated blocker |
| Out-of Band Blocker Rejection | | | | | $P_{\text{RF,IN}} = P_{\text{RF,IN,MIN}}$, IEEE 802.15.4 + 3 dB, measured at $f_{\text{CHANNEL}} = 2405 \text{ MHz}$ |
| -5 MHz | | -34.2 | | dBm | |
| -10 MHz | | -30.7 | | dBm | |
| -20 MHz | | -29.7 | | dBm | |
| -30 MHz | | -25.7 | | dBm | |
| -60 MHz | | -24.2 | | dBm | |
| +5 MHz | | -33.4 | | dBm | $P_{\text{RF,IN}} = P_{\text{RF,IN,MIN}}$, IEEE 802.15.4 + 3 dB, measured at $f_{\text{CHANNEL}} = 2480 \text{ MHz}$ |
| +10 MHz | | -29.9 | | dBm | |
| +20 MHz | | -28.2 | | dBm | |
| +30 MHz | | -23.7 | | dBm | |
| +60 MHz | | -29.9 | | dBm | |
| Receiver Channel Bandwidth | | 2252 | | kHz | Two-sided bandwidth; cascaded analog and digital channel filtering |
| Frequency Error Tolerance RSSI | -80 | | +80 | ppm | $P_{\text{RF,IN}} = P_{\text{RF,IN,MIN}} + 3 \text{ dB}$ Measured using IEEE 802.15.4-2006 packet mode |
| Dynamic range | | 85 | | dB | |
| Accuracy | | ±3 | | dB | |
| Averaging Time | | 128 | | μs | |
| Minimum Sensitivity | | -95 | | dBm | |

ADF7241

AUXILIARY SPECIFICATIONS

Table 5.

| Parameter | Min | Typ | Max | Unit | Test Conditions |
|--|---------------------|--------|--------------------|------|---|
| 32 kHz RC OSCILLATOR | | | | | |
| Frequency | | 32.768 | | kHz | After calibration |
| Frequency Accuracy | | 1 | | % | After calibration at 25°C |
| Frequency Drift | | | | | |
| Temperature Coefficient | | 0.14 | | %/°C | |
| Voltage Coefficient | | 4 | | %/V | |
| Calibration Time | | 1 | | ms | |
| 32 kHz CRYSTAL OSCILLATOR | | | | | |
| Frequency | | 32.768 | | kHz | 10 pF on XOSC32KP and XOSC32KN 12.5 pF load capacitors on XOSC32KP and XOSC32KN |
| Maximum ESR | | 319.8 | | kΩ | |
| Start-Up Time | | 2000 | | ms | |
| WAKE-UP TIMER | | | | | |
| Prescaler Tick Period | 0.0305 | | 20,000 | ms | |
| Wake-Up Period | 61×10^{-6} | | 1.31×10^5 | sec | |
| TEMPERATURE SENSOR | | | | | |
| Range | -40 | | +85 | °C | Average of 1000 ADC readbacks, after using linear fitting, with correction at known temperature |
| Resolution | | 4.7 | | °C | |
| Accuracy | | ±6.4 | | °C | |
| BATTERY MONITOR | | | | | |
| Trigger Voltage | 1.7 | | 3.6 | V | |
| Trigger Voltage Step Size | | 62 | | mV | |
| Start-Up Time | | 5 | | μs | |
| Current Consumption | | 30 | | μA | |
| EXTERNAL PA INTERFACE | | | | | |
| R _{ON} , PAVSUP_ATB3 to VDD_BAT | | 5 | | Ω | extpa_bias_mode = 0, 1, 2, 5, 6 |
| R _{OFF} , PAVSUP_ATB3 to GND | | 10 | | MΩ | extpa_bias_mode = 3, 4, power-down |
| R _{OFF} , PABIASOP_ATB4 to GND | | 10 | | MΩ | extpa_bias_mode = 0, power-down |
| PABIASOP_ATB4 Source Current, Maximum | | 80 | | μA | extpa_bias_mode = 1, 3 |
| PABIASOP_ATB4 Sink Current, Minimum | | -80 | | μA | extpa_bias_mode = 2, 4 |
| PABIASOP_ATB4 Current Control Resolution | | 6 | | Bits | extpa_bias_mode = 1, 2, 3, 4, 5 |
| PABIASOP_ATB4 Compliance Voltage | | 150 | | mV | extpa_bias_mode = 2, 4 |
| PABIASOP_ATB4 Compliance Voltage | | 3.45 | | V | extpa_bias_mode = 1, 3 |
| Servo Loop Bias Current | | 22 | | mA | extpa_bias_mode = 5, 6 |
| Servo Loop Bias Current Control Step | | 0.349 | | mA | extpa_bias_mode = 5, 6 |

CURRENT CONSUMPTION SPECIFICATIONS

Table 6.

| Parameter | Min | Typ | Max | Unit | Test Conditions |
|-----------------------------|-----|------|-----|------|---|
| CURRENT CONSUMPTION | | | | | |
| TX Mode Current Consumption | | | | | |
| –20 dBm | | 16.5 | | mA | IEEE 802.15.4-2006 continuous packet transmission mode |
| –10 dBm | | 17.4 | | mA | IEEE 802.15.4-2006 continuous packet transmission mode |
| 0 dBm | | 19.6 | | mA | IEEE 802.15.4-2006 continuous packet transmission mode |
| +3 dBm | | 21.5 | | mA | IEEE 802.15.4-2006 continuous packet transmission mode |
| +4 dBm | | 25 | | mA | IEEE 802.15.4-2006 continuous packet transmission mode |
| Idle Mode | | 1.8 | | mA | XTO26M + digital active |
| PHY_RDY Mode | | 10 | | mA | |
| RX Mode Current Consumption | | 19 | | mA | IEEE 802.15.4-2006 packet mode |
| MEAS State | | 3 | | mA | |
| SLEEP_BBRAM | | 0.3 | | μA | BBRAM contents retained |
| SLEEP_BBRAM_RCO | | 1 | | μA | 32 kHz RC oscillator running, some BBRAM contents retained, wake-up time enabled |
| SLEEP_BBRAM_XTO | | 1.7 | | μA | 32 kHz crystal oscillator running, some BBRAM contents retained, wake-up time enabled |

TIMING AND DIGITAL SPECIFICATIONS

Table 7. Logic Levels

| Parameter | Min | Typ | Max | Unit | Test Conditions |
|----------------------------------|-----------------------|-----|-----|------|----------------------|
| LOGIC INPUTS | | | | | |
| Input High Voltage, V_{INH} | $0.7 \times VDD_BAT$ | | | V | |
| Input Low Voltage, V_{INL} | | | | V | |
| Input Current, I_{INH}/I_{INL} | ± 1 | | | μA | |
| Input Capacitance, C_{IN} | 10 | | | pF | |
| LOGIC OUTPUTS | | | | | |
| Output High Voltage, V_{OH} | $VDD_BAT - 0.4$ | | | V | $I_{OH} = 500 \mu A$ |
| Output Low Voltage, V_{OL} | | | | V | $I_{OL} = 500 \mu A$ |
| Output Rise/Fall | 5 | | | ns | |
| Output Load | 7 | | | pF | |

Table 8. GPIOs

| Parameter | Min | Typ | Max | Unit | Test Conditions |
|--------------------|-----|-----|-----|------|-------------------------------|
| GPIO OUTPUTS | | | | | |
| Output Drive Level | | 5 | | mA | All GPIOs in logic high state |
| Output Drive Level | | 5 | | mA | All GPIOs in logic low state |

Table 9. SPI Interface Timing

| Parameter | Min | Typ | Max | Unit | Description |
|-----------|-----|-----|-----|------|--|
| t_1 | | | 15 | ns | \overline{CS} falling edge to MISO setup time (TRX active) |
| t_2 | 40 | | | ns | \overline{CS} to SCLK setup time |
| t_3 | 40 | | | ns | SCLK high time |
| t_4 | 40 | | | ns | SCLK low time |
| t_5 | 80 | | | ns | SCLK period |
| t_6 | | 10 | | ns | SCLK falling edge to MISO delay |
| t_7 | 5 | | | ns | MOSI to SCLK rising edge setup time |
| t_8 | 5 | | | ns | MOSI to SCLK rising edge hold time |

ADF7241

| Parameter | Min | Typ | Max | Unit | Description |
|-----------------------------------|-----|-----|-----|------|---|
| t ₉ | 40 | | | ns | SCLK to \overline{CS} hold time |
| t ₁₀ | 10 | | | ns | \overline{CS} high to SCLK wait time |
| t ₁₁ | 270 | | | ns | \overline{CS} high time |
| t ₁₂ | | 300 | 400 | μs | \overline{CS} low to MISO high wake-up time, 26 MHz crystal with 10 pF load capacitance, T _A = 25°C |
| t ₁₃ | | | 20 | ns | SCLK rise time |
| t ₁₄ | | | 20 | ns | SCLK fall time |
| t ₁₅ , t ₁₆ | 2 | | | ms | \overline{CS} high time on wake-up after RC_RESET or RC_SLEEP command (see Figure 5 and Figure 31) 26 MHz crystal with 10 pF load |

Table 10. IEEE 802.15.4 State Transition Timing

| Parameter | Min | Typ | Max | Unit | Test Conditions |
|---|-----|------|-----|------|---------------------------|
| Idle to PHY_RDY State | | 142 | | μs | |
| PHY_RDY to Idle State | | 13.5 | | μs | |
| PHY_RDY or TX to RX State (Different Channel) | | 192 | | μs | VCO calibration performed |
| PHY_RDY or RX to TX State (Different Channel) | | 192 | | μs | VCO calibration performed |
| PHY_RDY or TX to RX State (Same Channel) | | 140 | | μs | VCO calibration skipped |
| RX or PHY_RDY to TX State (Same Channel) | | 140 | | μs | VCO calibration skipped |
| RX Channel Change | | 192 | | μs | VCO calibration performed |
| TX Channel Change | | 192 | | μs | VCO calibration performed |
| TX to PHY_RDY State | | 23 | | μs | |
| PHY_RDY to CCA State | | 192 | | μs | |
| CCA to PHY_RDY State | | 14.5 | | μs | |
| RX to Idle State | | 5.5 | | μs | |
| TX to Idle State | | 30.5 | | μs | |
| Idle to MEAS State | | 19 | | μs | |
| MEAS to Idle State | | 6 | | μs | |
| CCA to Idle State | | 14.5 | | μs | |
| RX to CCA State | | 18 | | μs | |
| CCA to RX State | | 205 | | μs | |

Table 11. Timing IEEE 802.15.4-2006 SPORT Mode

| Parameter | Min | Typ | Max | Unit | Test Conditions/Comments |
|-----------------|------|-----|-----|------|--|
| t ₂₁ | 18 | | | μs | SFD detect to TRCLK_CKO_GP3 (data bit clock) active delay |
| t ₂₂ | | 2 | | μs | TRCLK_CKO_GP3 bit period |
| t ₂₃ | 0.51 | | | μs | DR_GP0 to TRCLK_CKO_GP3 falling edge setup time |
| t ₂₄ | | 16 | | μs | TRCLK_CKO_GP3 symbol burst period |
| t ₃₅ | 1.3 | | 6.2 | μs | PA nominal power to TRCLK_CKO_GP3 activity/entry into TX state |
| t ₃₆ | | 14 | | μs | RC_PHY_RDY to TRCLK_CKO_GP3 off |
| t ₃₇ | | 10 | | μs | RC_PHY_RDY to PA power shutdown |

Table 12. MAC Timing

| Parameter | Min | Typ | Max | Unit | Test Conditions/Comments |
|---------------------------|-----|-----|-----|------|--|
| t ₂₆ | | 38 | | μs | Time from frame received to rx_pkt_rcvd interrupt generation |
| t ₂₇ | | | 150 | μs | Time allowed, from issuing a RC_TX command, to update Register delaycfg2, Bit mac_delay_ext (0x10B[7:0]) |
| t ₂₈ | | | 150 | μs | Time allowed, from issuing a RC_TX command, to cancel the RC_TX command |
| t _{RX_MAC_DELAY} | | 192 | | μs | IEEE 802.15.4 mode as defined by the standard |

TIMING DIAGRAMS

SPI Interface Timing Diagram

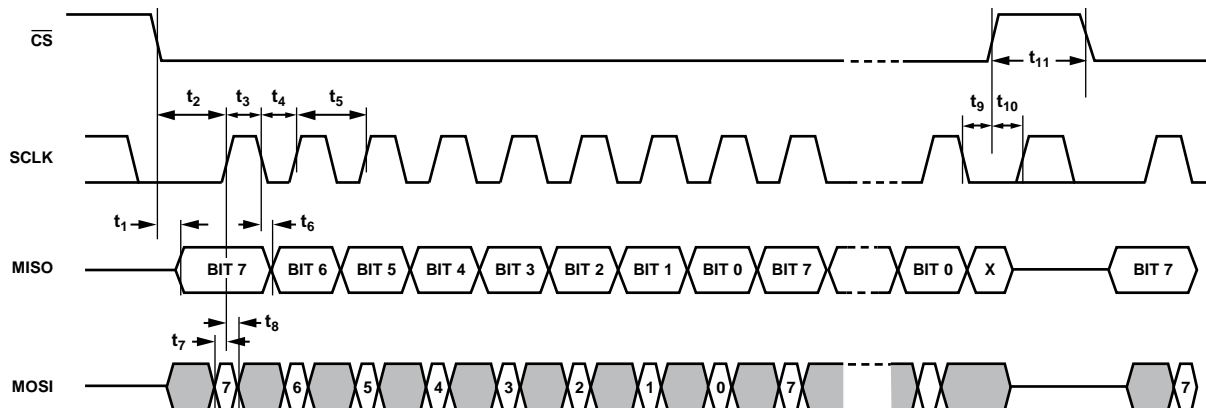


Figure 3. SPI Interface Timing

08322-002

Additional description and timing diagrams are available in the Serial Peripheral interface section.

Sleep-to-Idle SPI Timing Diagrams

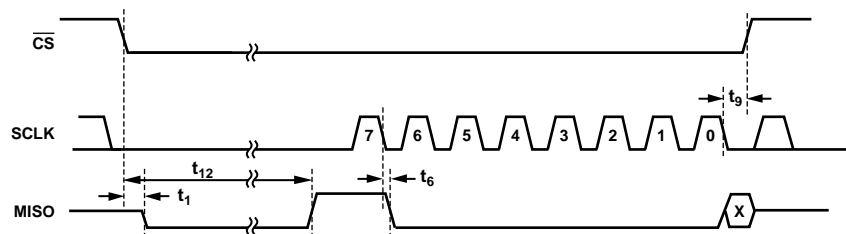


Figure 4. Sleep-to-Idle State Timing

08322-003

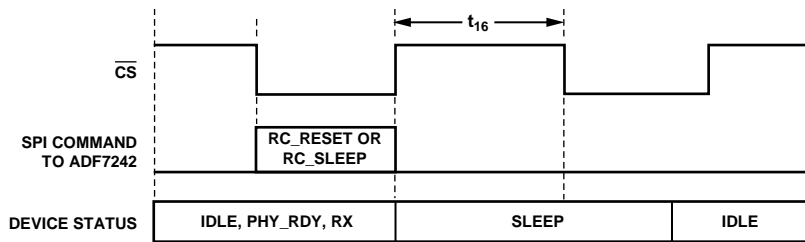
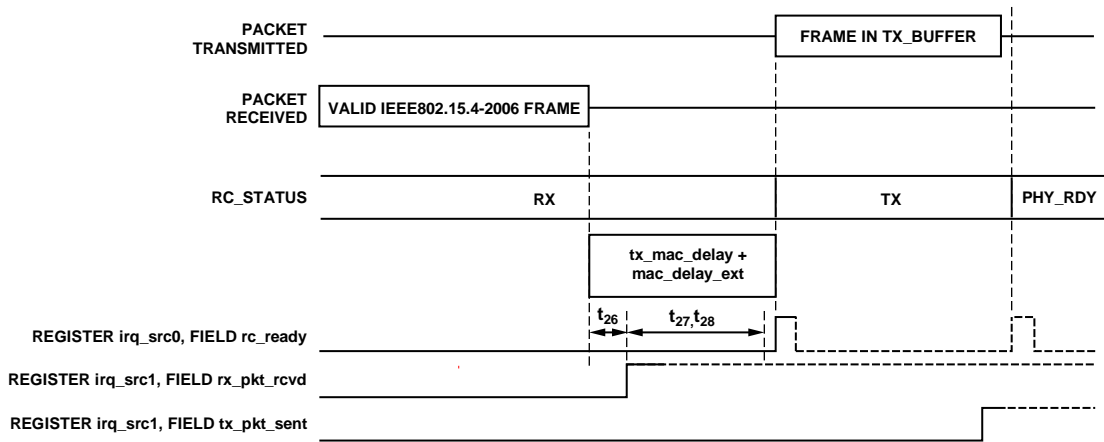


Figure 5. Wake-Up After an RC_RESET or RC_SLEEP Command

08322-064

MAC Delay Timing Diagram



09322-016

Figure 6. IEEE 802.15.4 MAC Timing

IEEE 802.15.4 RX SPORT Mode Timing Diagrams

Table 13. IEEE 802.15.4 RX SPORT Modes Configurations

| Register rc_cfg, Field rc_mode (0x13E[7:0]) | Register gp_cfg, Field gpio_config (0x32C[7:0]) | Functionality |
|---|---|--|
| 2 | 1 | Bit clock and data available (see Figure 7) |
| 0 | 7 | Symbol clock and data available (see Figure 8) |

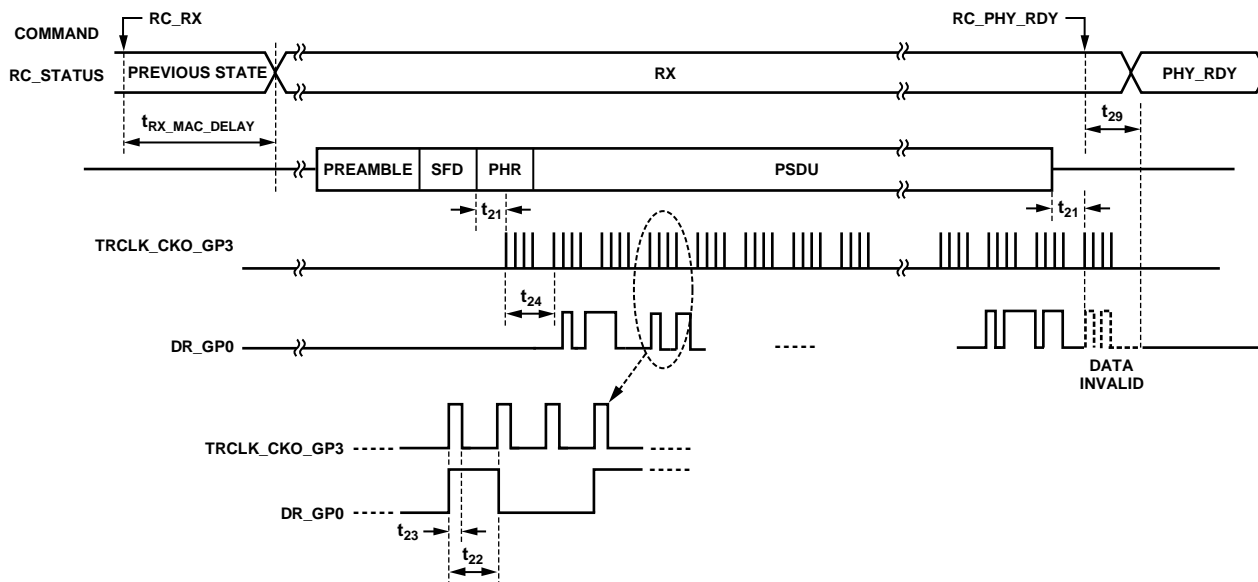
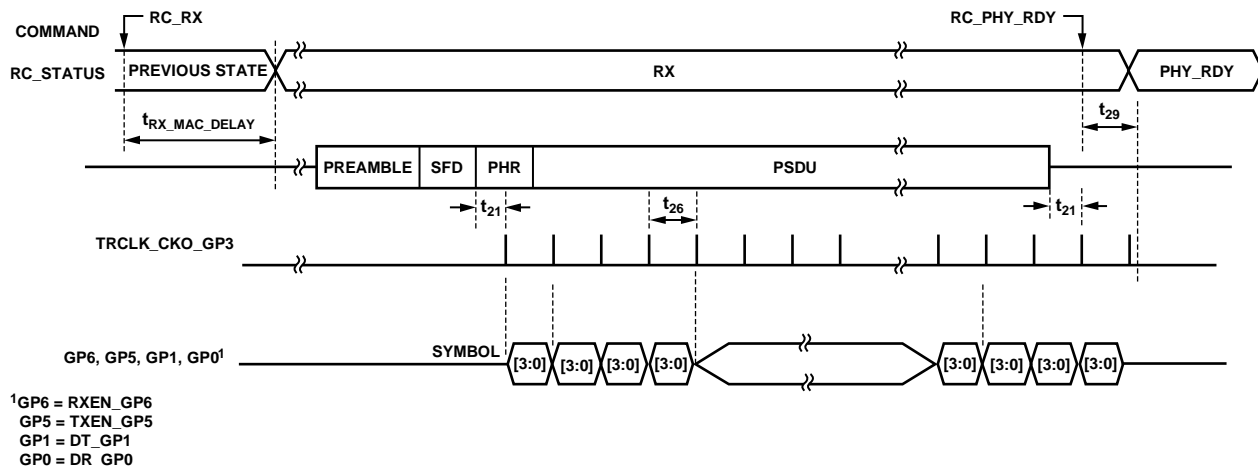


Figure 7. IEEE 802.15.4 RX SPORT Mode: Bit Clock and Data Available



¹GP6 = RXEN_GP6
 GP5 = TXEN_GP5
 GP1 = DT_GP1
 GP0 = DR_GP0

Figure 8. IEEE 802.15.4 RX SPORT Mode: Symbol Clock Output

ADF7241

IEEE 802.15.4 TX SPORT Mode Timing Diagram

Table 14. IEEE 802.15.4 TX SPORT Mode Configurations

| Register rc_cfg, Field rc_mode (0x13E[7:0]) | Register gp_cfg, Field gpio_config (0x32C[7:0]) | Functionality |
|---|---|--|
| 3 | 1 or 4 | Transmission starts after PA ramp up (see Figure 9) gpio_config = 1: data clocked in on rising edge of clock gpio_config = 4: data clocked in on falling edge of clock |

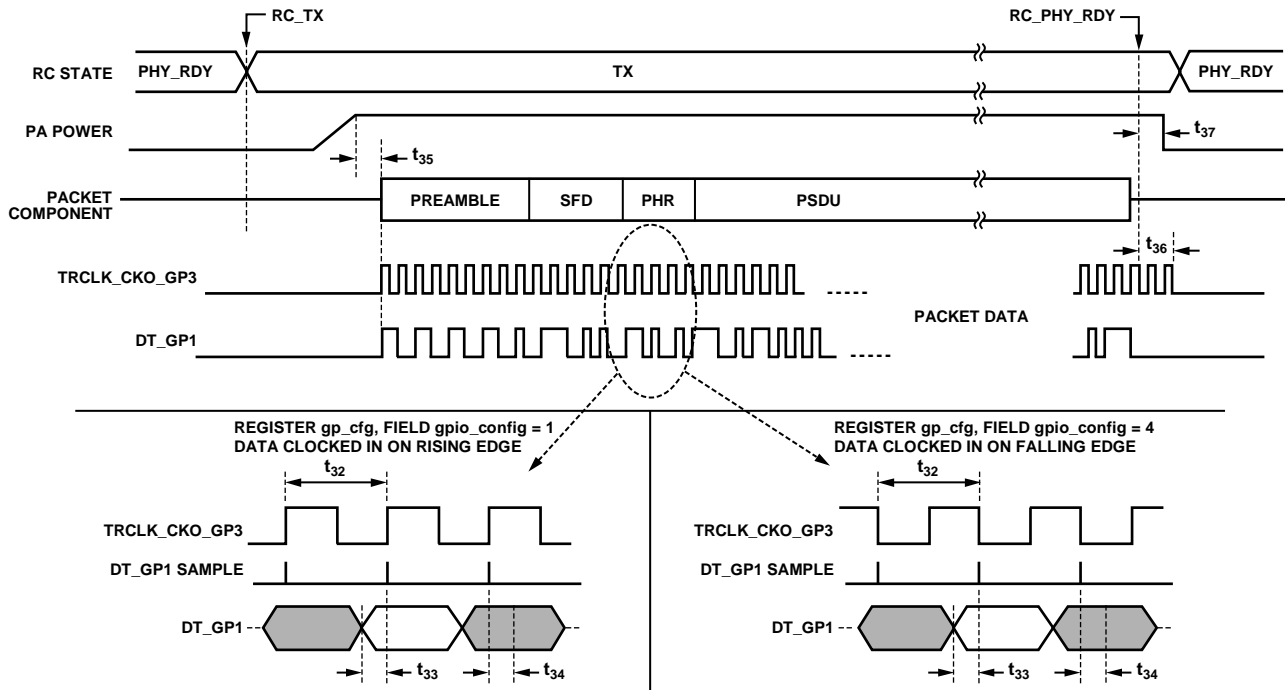


Figure 9. IEEE 802.15.4-2006 TX SPORT Mode

08922-122

Refer to the SPORT Interface section for further details.

ABSOLUTE MAXIMUM RATINGS

$T_A = 25^\circ\text{C}$, unless otherwise noted.

Table 15.

| Parameter | Rating |
|---------------------------------------|------------------|
| VDD_BAT to GND | -0.3 V to +3.9 V |
| Operating Temperature Range | |
| Industrial | -40°C to +85°C |
| Storage Temperature Range | -65°C to +125°C |
| Maximum Junction Temperature | 150°C |
| LFCSP θ_{JA} Thermal Impedance | 26°C/W |
| Reflow Soldering | |
| Peak Temperature | 260°C |
| Time at Peak Temperature | 40 sec |

Stresses above those listed under Absolute Maximum Ratings may cause permanent damage to the device. This is a stress rating only; functional operation of the device at these or any other conditions above those indicated in the operational section of this specification is not implied. Exposure to absolute maximum rating conditions for extended periods may affect device reliability.

The exposed paddle of the LFCSP package should be connected to ground.

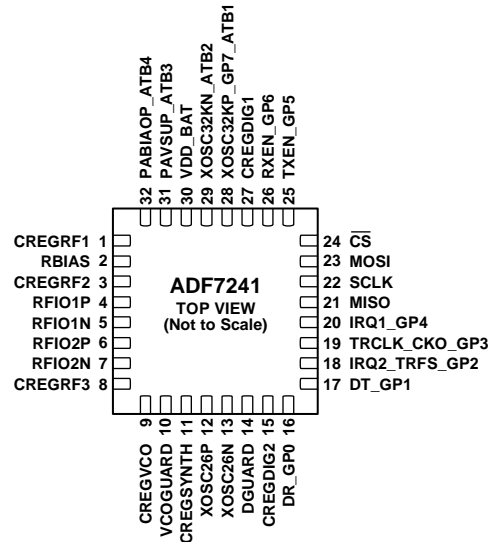
This device is a high performance RF integrated circuit with an ESD rating of <2 kV, and it is ESD sensitive. Proper precautions should be taken for handling and assembly.

ESD CAUTION



ESD (electrostatic discharge) sensitive device. Charged devices and circuit boards can discharge without detection. Although this product features patented or proprietary protection circuitry, damage may occur on devices subjected to high energy ESD. Therefore, proper ESD precautions should be taken to avoid performance degradation or loss of functionality.

PIN CONFIGURATION AND FUNCTION DESCRIPTIONS



NOTES
1. THE EXPOSED PADDLE MUST BE CONNECTED TO GROUND.

09322-010

Figure 10. Pin Configuration

Table 16. Pin Function Descriptions

| Pin No. | Mnemonic | Description |
|---------|-------------------|--|
| 1 | CREGRF1 | Regulated Supply Terminal for RF Section. Connect a 220 nF decoupling capacitor from this pin to GND. |
| 2 | RBIAS | Bias Resistor 27 kΩ to Ground. |
| 3 | CREGRF2 | Regulated Supply for RF Section. Connect a 100 pF decoupling capacitor to ground. |
| 4 | RFIO1P | Differential RF Input Port 1 (Positive Terminal). A 10 nF coupling capacitor is required. |
| 5 | RFIO1N | Differential RF Input Port 1 (Negative Terminal). A 10 nF coupling capacitor is required. |
| 6 | RFIO2P | Differential RF Input/Output Port 2 (Positive Terminal). A 10 nF coupling capacitor required. |
| 7 | RFIO2N | Differential RF Input/Output Port 2 (Negative Terminal). A 10 nF coupling capacitor required. |
| 8 | CREGRF3 | Regulated Supply for RF Section. Connect a 100 pF decoupling capacitor from this pin to GND. |
| 9 | CREGVCO | Regulated Supply for VCO Section. Connect a 220 nF decoupling capacitor from this pin to GND. |
| 10 | VCOGUARD | Guard Trench for VCO Section. Connect to Pin 9 (CREGVCO). |
| 11 | CREGSYNTH | Regulated Supply for PLL Section. Connect a 220 nF decoupling capacitor from this pin to GND. |
| 12 | XOSC26P | Terminal 1 of External Crystal and Loading Capacitor. This pin is no connect (NC) when an external oscillator is used. |
| 13 | XOSC26N | Terminal 2 of External Crystal and Loading Capacitor. Input for external oscillator. |
| 14 | DGUARD | Guard Trench for Digital Section. Connect to Pin 15 (CREGDIG2). |
| 15 | CREGDIG2 | Regulated Supply for Digital Section. Connect a 220 nF decoupling capacitor to ground. |
| 16 | DR_GP0 | SPORT Receive Data Output/General-Purpose IO Port. |
| 17 | DT_GP1 | SPORT Transmit Data Input/General-Purpose IO Port. |
| 18 | IRQ2_TRFS_GP2 | Interrupt Request Output 2/IEEE 802.15.4-2006 Symbol Clock/General-Purpose IO Port. |
| 19 | TRCLK_CKO_GP3 | SPORT Clock Output/General-Purpose IO Port. |
| 20 | IRQ1_GP4 | Interrupt Request Output 1/General-Purpose IO Port. |
| 21 | MISO | SPI Interface Serial Data Output. |
| 22 | SCLK | SPI Interface Data Clock Input. |
| 23 | MOSI | SPI Interface Serial Data Input. |
| 24 | CS | SPI Interface Chip Select Input (and Wake-Up Signal). |
| 25 | TXEN_GP5 | External PA Enable Signal/General-Purpose IO Port. |
| 26 | RXEN_GP6 | External LNA Enable Signal/General-Purpose IO Port. |
| 27 | CREGDIG1 | Regulated Supply for Digital Section. Connect a 1 nF decoupling capacitor from this pin to ground. |
| 28 | XOSC32KP_GP7_ATB1 | Terminal 1 of 32 kHz Crystal Oscillator/General-Purpose IO Port/Analog Test Bus 1. |
| 29 | XOSC32KN_ATB2 | Terminal 2 of 32 kHz Crystal Oscillator/Analog Test Bus 2. |

| Pin No. | Mnemonic | Description |
|----------------|-----------------|---|
| 30 | VDD_BAT | Unregulated Supply Input from Battery. |
| 31 | PAVSUP_ATB3 | External PA Supply Terminal/Analog Test Bus 3. |
| 32 | PABIAOP_ATB4 | External PA Bias Voltage Output/Analog Test Bus 4. |
| 33 (EPAD) | GND | Common Ground Terminal. The exposed paddle must be connected to ground. |

TYPICAL PERFORMANCE CHARACTERISTICS

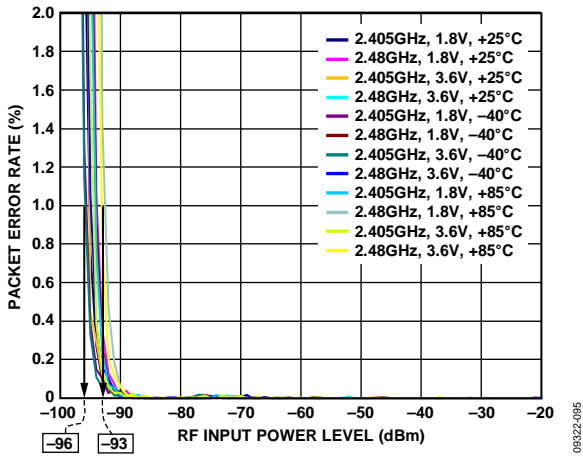


Figure 11. IEEE 802.15.4-2006 Packet Mode Sensitivity vs. Temperature and VDD_BAT, $f_{\text{CHANNEL}} = 2.405 \text{ GHz}, 2.45 \text{ GHz}, 2.48 \text{ GHz}, \text{RFIO2x}$

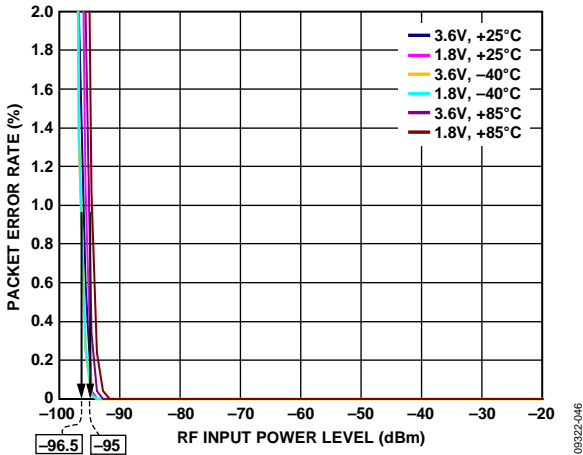


Figure 12. IEEE 802.15.4-2006 Packet Mode PER vs. RF Input Power Level vs. Temperature and VDD_BAT, $f_{\text{CHANNEL}} = 2.45 \text{ GHz}, \text{RFIO2x}$

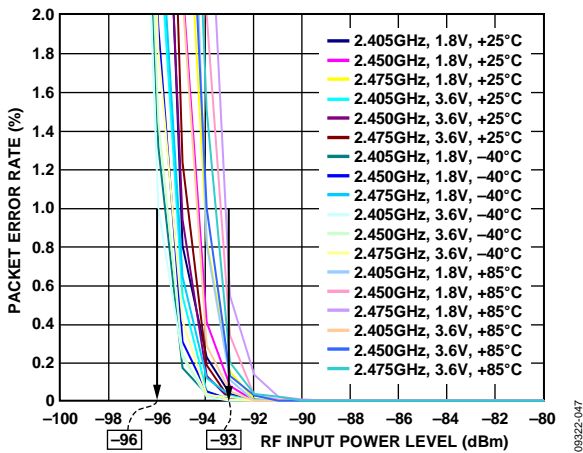


Figure 13. IEEE 802.15.4 Packet Mode Sensitivity vs. Temperature and VDD_BAT, $f_{\text{CHANNEL}} = 2.405 \text{ GHz}, 2.45 \text{ GHz}, 2.475 \text{ GHz}, \text{RFIO1x}$

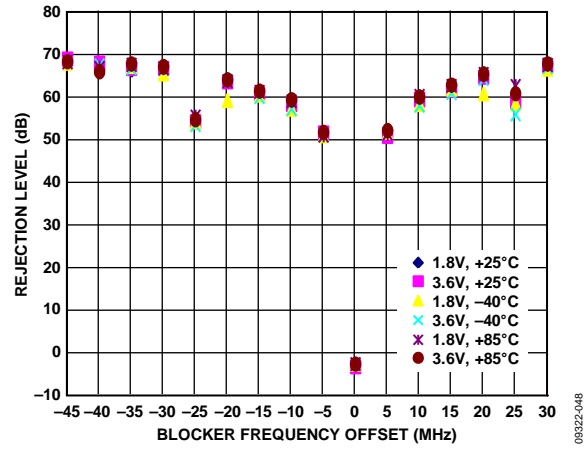


Figure 14. IEEE 802.15.4-2006 Packet Mode Blocker Rejection vs. Temperature and VDD_BAT, Modulated Blocker, $P_{\text{WANTED}} = -85 \text{ dBm} + 3 \text{ dB}, f_{\text{CHANNEL}} = 2.45 \text{ GHz}, \text{RFIO2x}$

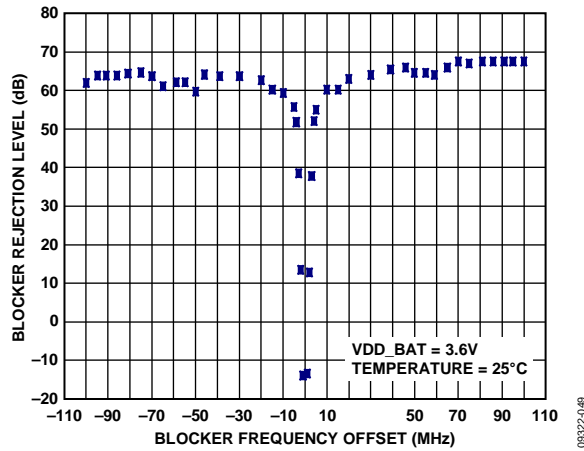


Figure 15. IEEE 802.15.4-2006 Packet Mode Wide-Band Blocker Rejection, CW Blocker, $P_{\text{WANTED}} = -95 \text{ dBm} + 3 \text{ dB}, f_{\text{CHANNEL}} = 2.45 \text{ GHz}, \text{RFIO2x}$

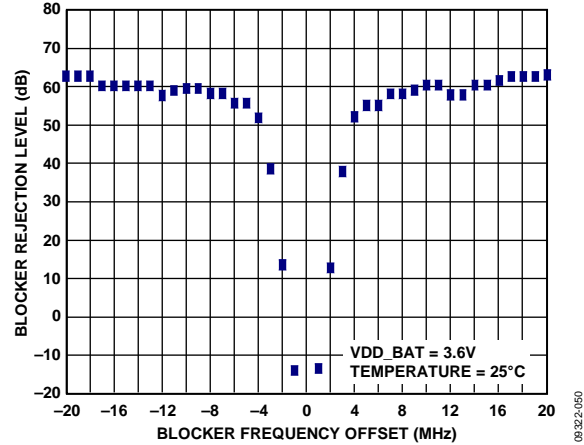


Figure 16. IEEE 802.15.4 Packet Mode Narrow-Band Blocker Rejection, CW Blocker, $P_{\text{WANTED}} = -95 \text{ dBm} + 3 \text{ dB}, f_{\text{CHANNEL}} = 2.45 \text{ GHz}, \text{RFIO2x}$

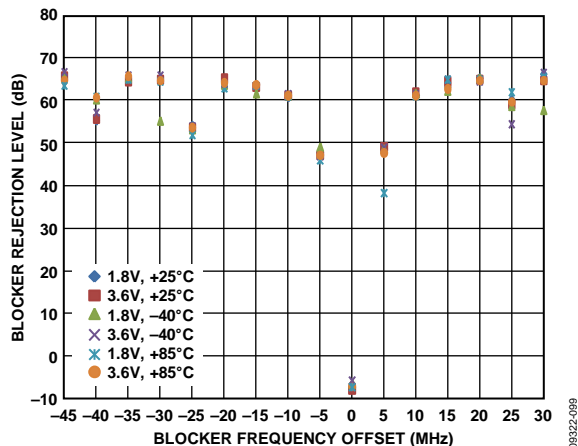


Figure 17. IEEE 802.15.4 Packet Mode Wide-Band Blocker Rejection vs. Temperature and VDD_BAT, Modulated Blocker, $P_{WANTED} = -95 \text{ dBm} + 3 \text{ dB}$, $f_{CHANNEL} = 2.45 \text{ GHz}$, RFIO2X

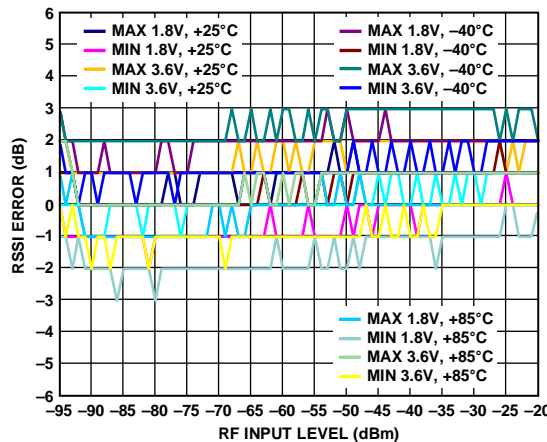


Figure 20. IEEE 802.15.4 Packet Mode RSSI Error vs. RF Input Power Level vs. Temperature and VDD_BAT, $f_{CHANNEL} = 2.45 \text{ GHz}$, RFIO2X

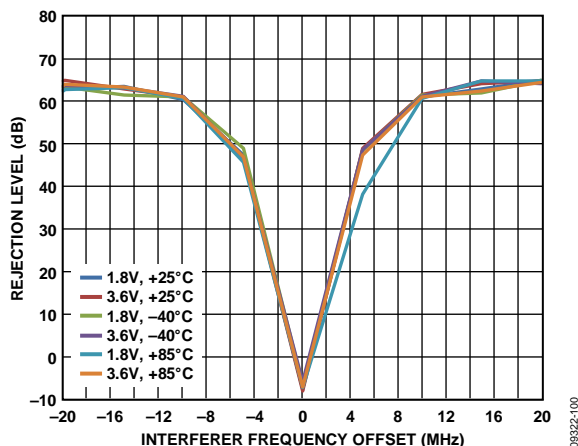


Figure 18. IEEE 802.15.4 Packet Mode Narrow-Band Blocker Rejection vs. Temperature and VDD_BAT, Modulated Blocker, $P_{WANTED} = -95 \text{ dBm} + 3 \text{ dB}$, $f_{CHANNEL} = 2.45 \text{ GHz}$, RFIO2X

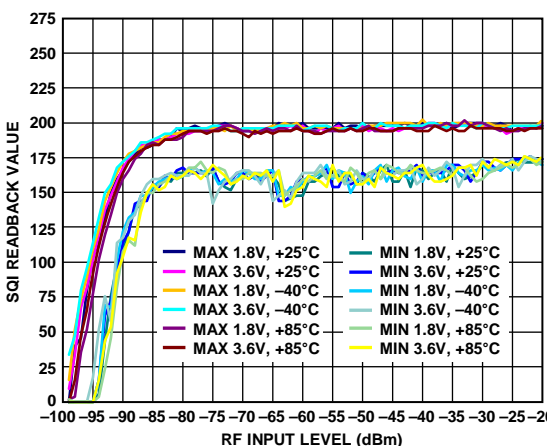


Figure 21. IEEE 802.15.4 Packet Mode SQI vs. RF Input Power Level vs. Temperature and VDD_BAT, $f_{CHANNEL} = 2.45 \text{ GHz}$, RFIO2X

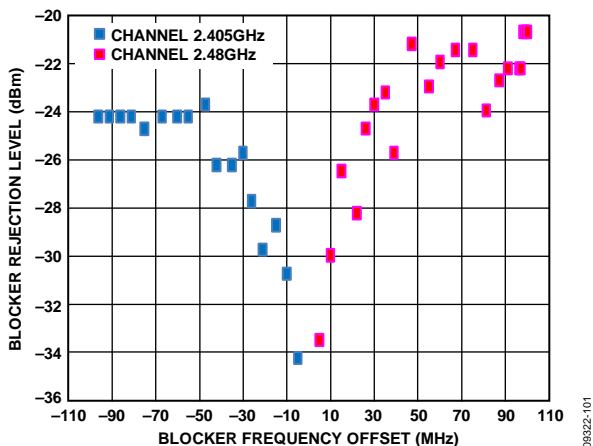


Figure 19. IEEE 802.15.4 Packet Mode Out-of-Band Blocker Rejection, CW Blocker, $P_{WANTED} = -95 \text{ dBm} + 3 \text{ dB}$, $f_{CHANNEL} = 2.405 \text{ GHz}$ and 2.48 GHz , RFIO2x, VDD_BAT = 3.6 V, Temperature = 25°C

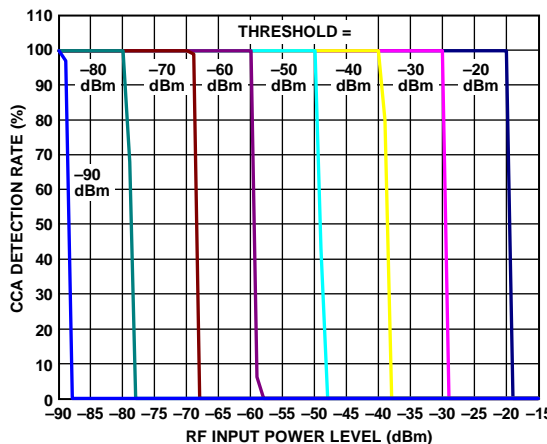


Figure 22. IEEE 802.15.4-2006 CCA Operation vs. RSSI Threshold, $f_{CHANNEL} = 2.45 \text{ GHz}$, VDD_BAT = 3.6 V, Temperature = 25°C, RFIO2x

ADF7241

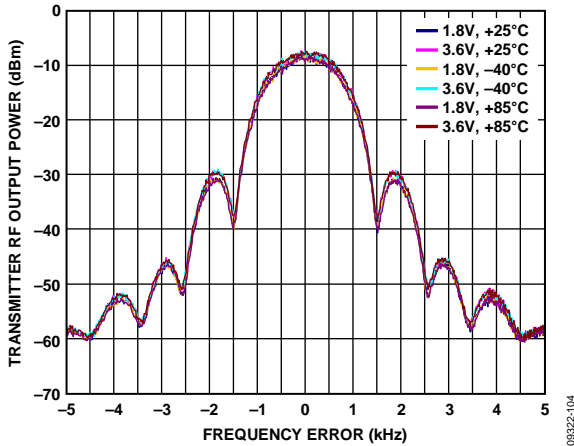


Figure 23. IEEE 802.15.4-2006 Transmitter Spectrum vs. Temperature and VDD_BAT, $f_{\text{CHANNEL}} = 2.45 \text{ GHz}$, Output Power = 3 dBm

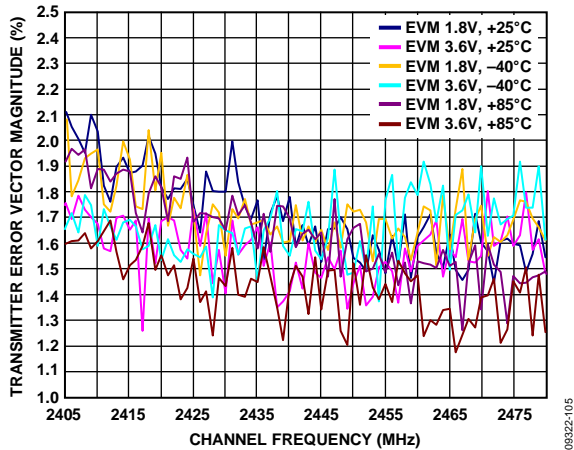


Figure 24. IEEE 802.15.4-2006 Transmitter EVM vs. Temperature and VDD_BAT at All Channels, Output Power = 3 dBm

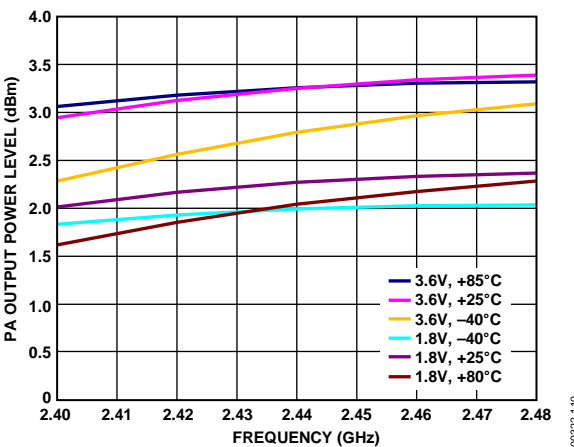


Figure 25. PA Output Power vs. RF Carrier Frequency, Temperature, and VDD_BAT (A discrete matching network and a harmonic filter are used as per the ADF7241 reference design.)

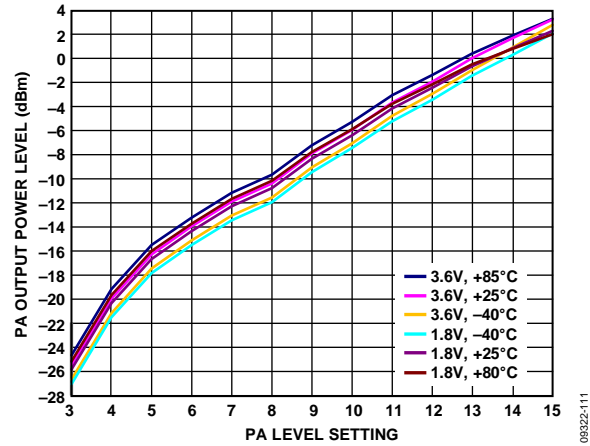


Figure 26. PA Output Power vs. Control Word, Temperature, and VDD_BAT, $f_{\text{CHANNEL}} = 2.44 \text{ GHz}$ (A discrete matching network and a harmonic filter are used as per the ADF7241 reference design.)

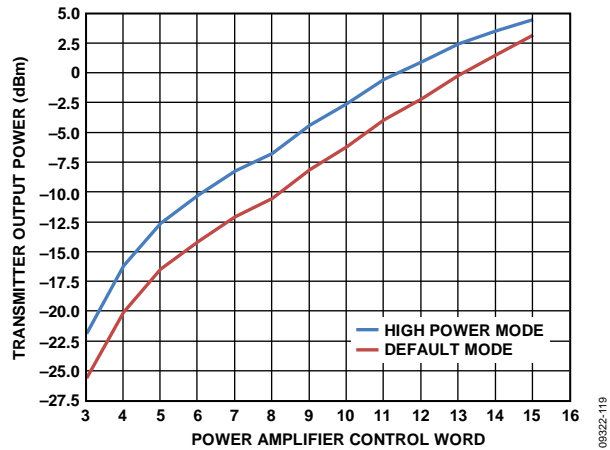


Figure 27. Transmitter Output Power vs. Control Word for Default and High Power Modes, $f_{\text{CHANNEL}} = 2.45 \text{ GHz}$, VDD_BAT = 3.6 V, Temperature = 25°C, RF Carrier Frequency, Temperature, and VDD_BAT (A discrete matching network and a harmonic filter are used as per the ADF7241 reference design.)

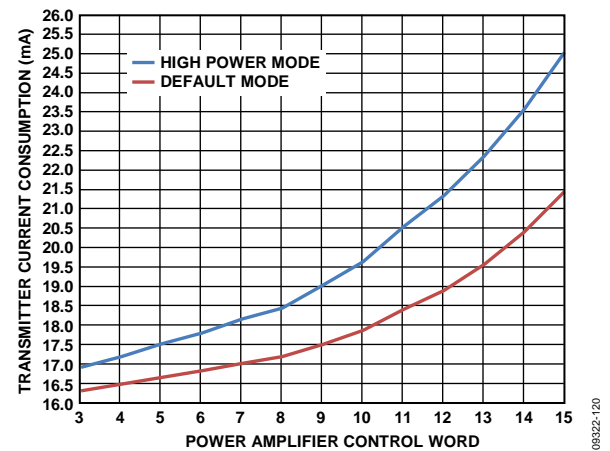


Figure 28. Transmitter Current Consumption vs. Control Word, for Default and High Power Modes, $f_{\text{CHANNEL}} = 2.45 \text{ GHz}$, VDD_BAT = 3.6 V, Temperature = 25°C

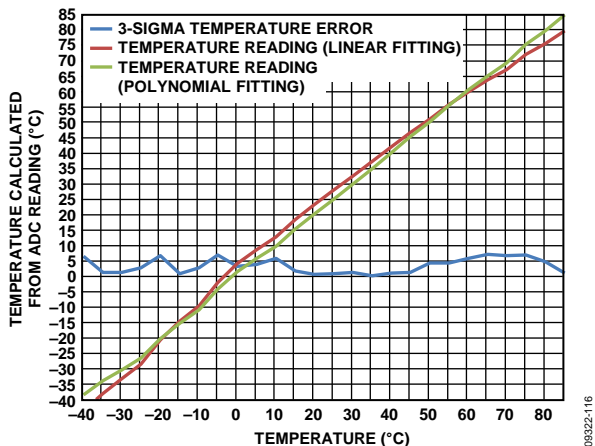


Figure 29. Temperature Sensor Performance (Average of 1000 ADC Readbacks) and $3\text{-}\sigma$ Error vs. Temperature, $VDD_BAT = 3.6\text{ V}$

08322-116

TERMINOLOGY**ACK**

IEEE 802.15.4-2006 acknowledgment frame

ADC

Analog-to-digital converter

AGC

Automatic gain control

Battmon

Battery monitor

CCA

Clear channel assessment

BBRAM

Backup battery random access memory

CSMA/CA

Carrier-sense-multiple-access with collision avoidance

DR

Data rate

DSSS

Direct sequence spread spectrum

FCS

Frame check sequence

FHSS

Frequency hopping spread spectrum

FCF

Frame control field

LQI

Link quality indicator

MCR

Modem configuration register

MCU

Microcontroller unit

NC

Not connected

OCL

Offset correction loop

OQPSK

Offset-quadrature phase shift keying

PA

Power amplifier

PHR

PHY header

PHY

Physical layer

POR

Power-on reset

PSDU

PHY service data unit

RC

Radio controller

RCO32K

32 kHz RC oscillator

RSSI

Receive signal strength indicator

RTC

Real-time clock

SFD

Start-of-frame delimiter

SQI

Signal quality indicator

VCO

Voltage-controlled oscillator

WUC

Wake-up controller

XTO26M

26 MHz crystal oscillator

XTO32K

32 kHz crystal oscillator

RADIO CONTROLLER

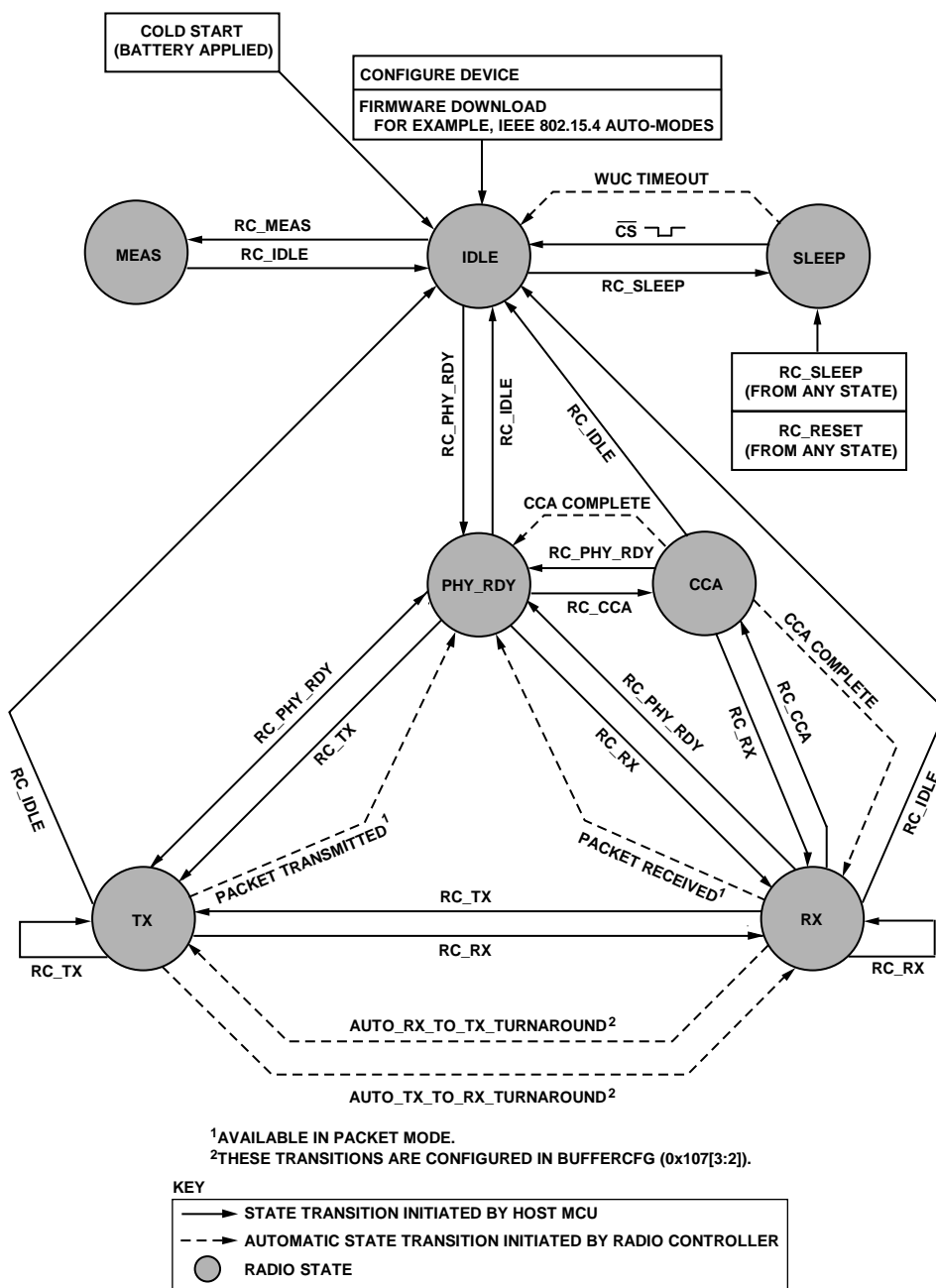


Figure 30. State Diagram

09322-024

ADF7241

The ADF7241 incorporates a radio controller that manages the state of the IC in various operating modes and configurations. The host MCU can use single-byte commands to interface to the radio controller. The function of the radio controller includes the control of the sequence of powering up and powering down various blocks as well as system calibrations in different states of the device. Figure 30 shows the state diagram of the ADF7241 with possible transitions that are initiated by the host MCU and automatically by the radio controller.

Device Initialization

When the battery voltage is first applied to the ADF7241, a cold start-up sequence should be followed, as shown in Figure 31. The start-up sequence is as follows:

- Apply the battery voltage, VDD_BAT, to the device with the desired voltage ramp rate. After a time, t_{RAMP} , VDD_BAT reaches its final voltage value.
- After t_{RAMP} , execute the SPI command, RC_RESET. This command resets and shuts down the device.
- After the specified time, t_{15} , the host MCU can set the \overline{CS} port of the SPI low.
- Wait until the MISO output of the SPI (SPI_READY flag) goes high, at which time the device is in the idle state and ready to accept commands.

A power-on reset takes place when the host MCU sets the \overline{CS} port of the SPI low. All device LDOs are enabled together with the 26 MHz crystal oscillator and the digital core. After the radio controller initializes the configuration registers to their default values, the device enters the idle state.

The cold start-up sequence is needed only when the battery voltage is first applied to the device. Afterwards, a warm start-up sequence can be used where the host MCU can wake up the device from a sleep state by setting the \overline{CS} port of the SPI low.

Idle State

In this state, the receive and transmit blocks are powered down. The digital section is enabled and all configuration registers, as well as the packet RAM, are accessible. The host MCU must set any configuration parameters, such as modulation scheme, channel frequency, and WUC configuration, in this state.

Bringing the \overline{CS} input low in the sleep state causes a transition into the idle state. The transition from the sleep state to the idle state timing is shown in Figure 4. The idle state can also be entered by issuing an RC_IDLE command in any state other than the sleep state.

PHY_RDY State

Upon entering the PHY_RDY state from the idle state, the RF frequency synthesizer is enabled and a system calibration is carried out. The receive and transmit blocks are not enabled in this state. The system calibration is omitted when the PHY_RDY state is entered from the RX, TX, or CCA state.

The PHY_RDY state can be entered from the idle, RX, TX, or CCA state by issuing an RC_PHY_RDY command.

RX State

The RF frequency synthesizer is automatically calibrated to the programmed channel frequency upon entering the RX state from the PHY_RDY or TX state. The frequency synthesizer calibration can be omitted for single-channel communication systems if short turnaround times are required. Following a programmable MAC delay period, the ADF7241 starts searching for a preamble and a synchronization word if enabled by the user.

The RX state can be entered from the PHY_RDY, CCA, and TX states by issuing an RC_RX command. Depending on whether the device is configured to operate in packet or SPORT mode by setting Register buffercfg, Field rx_buffer_mode, the device can revert automatically to the PHY_RDY state when a packet is received, or remain in the RX state until a command to enter a different state is issued. Refer to the Receiver section for further details.

CCA State

Upon entering the CCA state, a clear channel assessment is performed. The CCA state can be entered from the PHY_RDY or RX state by issuing an RC_CCA command. By default, upon completion of the clear channel assessment, the ADF7241 automatically reverts to the state from which the RC_CCA command originated.

TX State

Upon entering the TX state, the RF frequency synthesizer is automatically calibrated to the programmed channel frequency. The frequency synthesizer calibration can be omitted for communication systems operating on a single channel if short turnaround times are required. Following a programmable delay period, the PA is ramped up and transmission is initiated.

The TX state can be entered from the PHY_RDY or RX state by issuing the RC_TX command. Depending on whether the device is configured to operate in packet or SPORT mode by setting Register buffercfg, Field rx_buffer_mode, the device can revert automatically to the PHY_RDY state when a packet is transmitted, or remain in the TX state until a command to enter a different state is issued. Refer to the Transmitter section for further details.

MEAS State

The MEAS state is used to measure the chip temperature. The transmitter and receiver blocks are not enabled in this state. The chip temperature is measured using the ADC, which can be read from Register adc_rbk, Field adc_out, and is continuously updated with the chip temperature reading.

This state is enabled by issuing the RC_MEAS command from the idle state and can be exited using the RC_IDLE command.

Sleep States

The sleep state is entered with the RC_SLEEP command. The sleep state can be configured to operate in three different modes, which are listed in Table 17.

Table 17. ADF7241 Sleep Modes

| Sleep Mode | Active Circuits | Functionality |
|-----------------|-------------------------------------|---|
| SLEEP_BBRAM | BBRAM | Packet RAM and modem configuration register (MCR) contents are not maintained. BBRAM retains the IEEE 802.15.4-2006 node addresses ¹ . |
| SLEEP_BBRAM_XTO | BBRAM and 32 kHz crystal oscillator | 32 kHz crystal oscillator is enabled, with data retention in the BBRAM. |
| SLEEP_BBRAM_RCO | BBRAM and 32 kHz RC Oscillator | 32 kHz RC oscillator is enabled, with data retention in the BBRAM. |

¹ Refer to the Receiver Configuration in Packet Mode section for further details.

SLEEP MODES

The sleep modes are configurable with the wake-up configuration registers, tmr_cfg0 and tmr_cfg1. The contents of Register tmr_cfg0 and Register tmr_cfg1 are reset in the sleep state.

SLEEP_BBRAM

This mode is suitable for applications where the MCU is equipped with its own wake-up timer. SLEEP_BBRAM mode is enabled by setting Register tmr_cfg1, Field sleep_config = 1.

SLEEP_BBRAM_XTO

This mode enables the 32 kHz crystal oscillator and retains certain configuration registers in the BBRAM during the sleep state. To enable SLEEP_BBRAM_XTO mode, set Register tmr_cfg1, Field sleep_config = 5. A wake-up interrupt can be set using, for example, Register irq1_en0, Field wakeup = 1. Refer to the Wake-Up Controller (WUC) section for details on how to configure the ADF7241 WUC.

SLEEP_BBRAM_RCO

This mode enables the 32 kHz RC oscillator and retains certain configuration registers in the BBRAM during the sleep state. This mode can be used when lower timer accuracy is acceptable by the communication system. It is enabled by setting Register tmr_cfg1, Field sleep_config = 11. A wake-up interrupt can be set using, for example, Register irq1_en0, Field wakeup = 1. Refer to the Wake-Up Controller (WUC) section for details on how to configure the ADF7241 WUC.

Wake-Up from the Sleep State

The host MCU can bring \overline{CS} low at any time to wake the ADF7241 from the sleep state. After bringing \overline{CS} low, it must wait until the MISO output (SPI_READY flag) goes high prior to accessing the SPI port. This delay reflects the start-up time of the ADF7241. When the MISO output is high, the voltage regulator of the digital section and the crystal oscillator have stabilized. Unless the chip is in the sleep state, the MISO pin always goes high immediately after bringing \overline{CS} low. The sleep state can also be exited by a timeout event with the WUC configured. Refer to the Wake-Up Controller (WUC) section for details on how to configure the ADF7241 WUC.

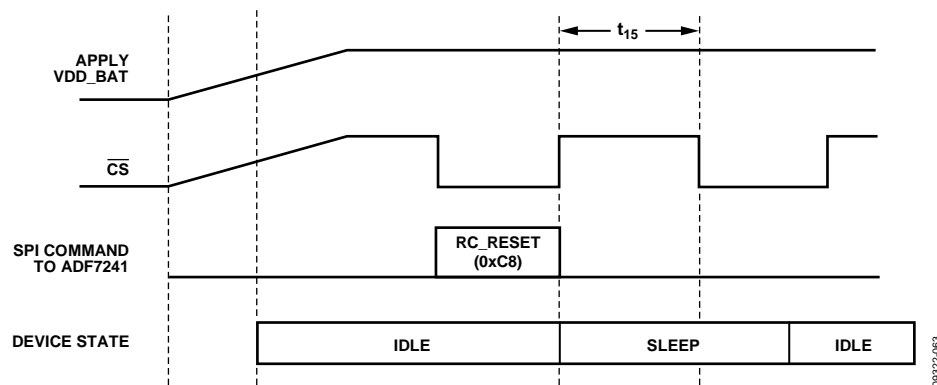


Figure 31. Cold Start Sequence from Application of the Battery

RF FREQUENCY SYNTHESIZER

A fully integrated RF frequency synthesizer is used to generate both the transmit signal and the receive LO signal. The architecture of the frequency synthesizer is shown in Figure 32. The receiver uses the frequency synthesizer circuit to generate the local oscillator (LO) for downconverting an RF signal to the baseband. The transmitter is based on a direct closed-loop VCO modulation scheme using a low noise fractional-N RF frequency synthesizer, where a high resolution Σ - Δ modulator is used to generate the required frequency deviations at the RF in response to the data being transmitted.

The VCO and the frequency synthesizer loop filter of the ADF7241 are fully integrated. To reduce the effect of VCO pulling by the power-up of the power amplifier, as well as to minimize spurious emissions, the VCO operates at twice the RF frequency. The VCO signal is then divided by 2 giving the required frequency for the transmitter and the required LO frequency for the receiver. The frequency synthesizer also features automatic VCO calibration and bandwidth selection.

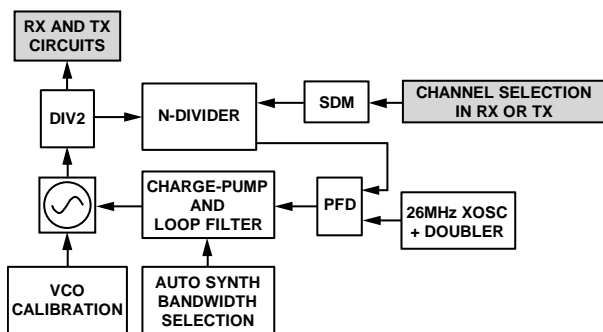


Figure 32. Synthesizer Architecture

RF FREQUENCY SYNTHESIZER CALIBRATION

The ADF7241 requires a system calibration prior to being used in the RX, CCA, or TX state. Because the calibration information is reset when the ADF7241 enters a sleep state, a full system calibration is automatically performed on the transition between the idle and PHY_RDY states. The system calibration is omitted when the PHY_RDY state is entered from the TX, RX, or CCA state.

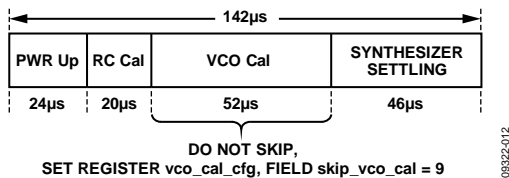


Figure 33. System Calibration Following RC_PHY_RDY

Figure 33 shows a breakdown of the total system calibration time. It comprises a power-up delay, calibration of the receiver baseband filter (RC Cal), and a VCO calibration (VCO Cal). Once the VCO is calibrated, the frequency synthesizer is allowed to settle to within ± 5 ppm of the target frequency. A fully automatic fast VCO frequency and amplitude calibration scheme is

used to mitigate the effect of temperature, supply voltage, and process variations on the VCO performance.

The VCO calibration phase must not be skipped during the system calibration in the PHY_RDY state. Therefore, it is important to ensure that Register `vco_cal_cfg`, Field `skip_vco_cal` = 9 prior to entering the PHY_RDY state from the idle state. This is the default setting and, therefore, only requires programming if skipping of the calibration was previously selected.

The VCO calibration can be skipped on the transition from the PHY_RDY state to the RX, TX, and CCA states on the condition that the calibration has been performed in the PHY_RDY state on the same channel frequency to be used in the RX, TX, and CCA states. The following sequence should be used if skipping the VCO calibration is required in any state following the PHY_RDY state:

1. After the system calibration is performed in the PHY_RDY state, the VCO frequency band in Register `vco_band_rb`, Field `vco_band_val_rb` and the VCO bias DAC code in Register `vco_idac_rb`, Field `vco_idac_val_rb` should be read back.
2. Before transitioning to any other state and assuming operation on the same channel frequency, the VCO frequency band and amplitude DAC should be overwritten as follows:
 - a) Set Register `vco_cal_cfg`, Field `skip_vco_cal` = 15 to skip the VCO calibration.
 - b) Enable the VCO frequency over-write mode by setting Register `vco_ovrw_cfg`, Field `vco_band_ovrw_en` = 1.
 - c) Write the VCO frequency band read back after the system calibration in the PHY_RDY state to Register `vco_band_ovrw`, Field `vco_band_ovrw_val`.
 - d) Enable the VCO bias DAC over-write mode by setting Register `vco_ovrw_cfg`, Field `vco_idac_ovrw_en` = 1
 - e) Write the VCO bias DAC read back after the system calibration in the PHY_RDY state to Register `vco_idac_ovrw`, Field `vco_idac_ovrw_val`.

Following the preceding procedure, the device can transition to other states, which use the same channel frequency without performing a VCO calibration. If it is required to change the channel frequency before entering the RX, TX, or CCA state at any point after the preceding procedure has been used, Register `vco_cal_cfg`, Field `skip_vco_cal` must be set to 9 before transitioning to the respective state. Then the VCO calibration is automatically performed.

RF FREQUENCY SYNTHESIZER BANDWIDTH

The ADF7241 radio controller optimizes the RF frequency synthesizer bandwidth based on whether the device is in the RX or the TX state. If the device is in the RX state, the frequency synthesizer bandwidth is set by the radio controller to ensure optimum blocker rejection. If the device is in the TX state, the radio controller sets the frequency synthesizer bandwidth based on the required data rate to ensure optimum modulation quality.

RF CHANNEL FREQUENCY PROGRAMMING

The frequency of the synthesizer is programmed with the frequency control word, `ch_freq[23:0]`, which extends over Register `ch_freq0`, Register `ch_freq1`, and Register `ch_freq2`. The frequency control word, `ch_freq[23:0]`, contains a binary representation of the absolute frequency of the desired channel divided by 10 kHz.

Writing a new channel frequency value to the frequency control word, `ch_freq[23:0]`, takes effect after the next frequency synthesizer calibration phase. The frequency synthesizer is calibrated by default during the transition into the `PHY_RDY` from the idle state as well as in the TX, RX and CCA states. Refer to the RF Frequency Synthesizer Calibration, Transmitter, and Receiver sections for further details. To facilitate fast channel frequency changes, a new frequency control word can be written in the RX state before a packet has been received. The next `RC_RX` or `RC_TX` command initiates the required frequency synthesizer calibration and settling cycle. Similarly, a new frequency control word can be written after a packet has been transmitted while in the TX state and the next `RC_RX` or `RC_TX` command initiates the frequency synthesizer calibration and settling cycle.

REFERENCE CRYSTAL OSCILLATOR

The on-chip crystal oscillator generates the reference frequency for the frequency synthesizer and system timing. The oscillator operates at a frequency of 26 MHz. The crystal oscillator is amplitude controlled to ensure a fast start-up time and stable operation under different operating conditions. The crystal and associated external components should be chosen with care because the accuracy of the crystal oscillator can have a significant impact on the performance of the communication system. Apart from the accuracy and drift specification, it is important to consider the nominal loading capacitance of the crystal. Crystals with a high loading capacitance are less sensitive to frequency pulling due to tolerances of external capacitors and the printed circuit board parasitic capacitances. When selecting a crystal, these advantages should be balanced against the higher current consumption, longer start-up time, and lower trimming range resulting from a larger loading capacitance.

The total loading capacitance must be equal to the specified load capacitance of the crystal and comprises the external parallel loading capacitors, the parasitic capacitances of the `XOSC26P` and `XOSC26N` pins, as well as the parasitic capacitance of tracks on the printed circuit board.

The ADF7241 has an integrated crystal oscillator tuning capacitor that facilitates the compensation of systematic production tolerance and temperature drift. The tuning capacitor is controlled with Register `xto26_trim_cal`, Field `xto26_trim` (0x371). The tuning range provided by the tuning capacitor depends on the loading capacitance of a specific crystal. The total tuning range is typically 25 ppm.

TRANSMITTER

TRANSMIT OPERATING MODES

The two primary transmitter operating modes are:

- IEEE 802.15.4-2006 packet mode
- IEEE 802.15.4-2006 SPORT mode

The desired mode of operation is selected via Register `rc_cfg`, Field `rc_mode`.

The modulator preemphasis filter must be enabled with Register `tx_m`, Field `preemp_filt` = 1. This is enabled by default if using packet mode only, but must be programmed if using SPORT mode.

IEEE 802.15.4-2006-compatible mode with packet manager support is selected with Register `rc_cfg`, Field `rc_mode` = 0 (0x13E). In this mode, the ADF7241 packet manager automatically generates the IEEE 802.15.4-2006-compatible preamble and SFD. There is also an option to use a nonstandard SFD by programming Register `sfd_15_4` with the desired alternative SFD. Refer to the Programmable SFD subsection of the Receiver section for further details. There are 256 bytes of dedicated RAM (packet RAM), which constitute `TX_BUFFER` and `RX_BUFFER`, available to store transmit and receive packets. The packet header must be the first byte written to `TX_BUFFER`. The address of the first byte of `TX_BUFFER` is stored in Register `txpb`, Field `tx_pkt_base`.

If the automatic FCS field generation has been disabled (Register `pkt_cfg`, Field `auto_fcs_off` = 1), the full frame including FCS must be written to `TX_BUFFER`. In this case, the number of bytes written to `TX_BUFFER` must be equal to the length specified in the PHR field.

If automatic FCS field generation has been enabled (Register `pkt_cfg`, Field `auto_fcs_off` = 0), the FCS is automatically

appended to the frame in `TX_BUFFER`. In this case, the number of bytes written to `TX_BUFFER` must be equal to the length specified in the PHR field minus two.

The format of the frame in `TX_BUFFER`, both with automatic FCS field generation enabled and with it disabled, is shown in Figure 34.

Details of how to configure IEEE 802.15.4-2006 TX SPORT mode are given in the SPORT Interface section.

IEEE 802.15.4-2006 Transmitter Timing and Control

This section applies when IEEE 802.15.4-2006 packet mode is enabled. Accurate control over the transmission slot timing is maintained by two delay timers (Register `delaycfg1`, Field `tx_mac_delay` and Register `delaycfg2`, Field `mac_delay_ext`), which introduce a controlled delay between the rising edge of the `CS` signal following the `RC_TX` command and the start of the transmit operation. Figure 35 illustrates the timing of the transmit operation assuming that the ADF7241 was operating in `PHY_RDY`, `RX`, or `TX` state prior to the execution of an `RC_TX` command.

If enabled, the external PA interface, as described in the Power Amplifier section, is powered up prior to the synthesizer calibration to allow sufficient time for the bias servo loop to settle. Ramp-up of the PA is completed shortly before the overall MAC delay has elapsed. If enabled, an `rc_ready` interrupt (see the Interrupt Controller section) is generated at the transition into the `TX` state. Following the completion of the PA ramp-up phase, the transceiver enters the `TX` state. The minimum and maximum times for the PA ramp-up to complete prior to the transceiver entering the `TX` state are given by Parameter t_{35} in Table 11.

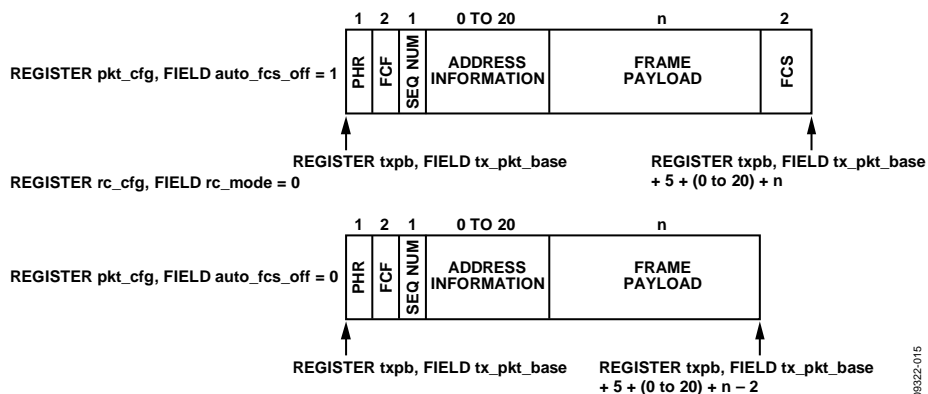


Figure 34. Field Format of `TX_BUFFER`

09322-015

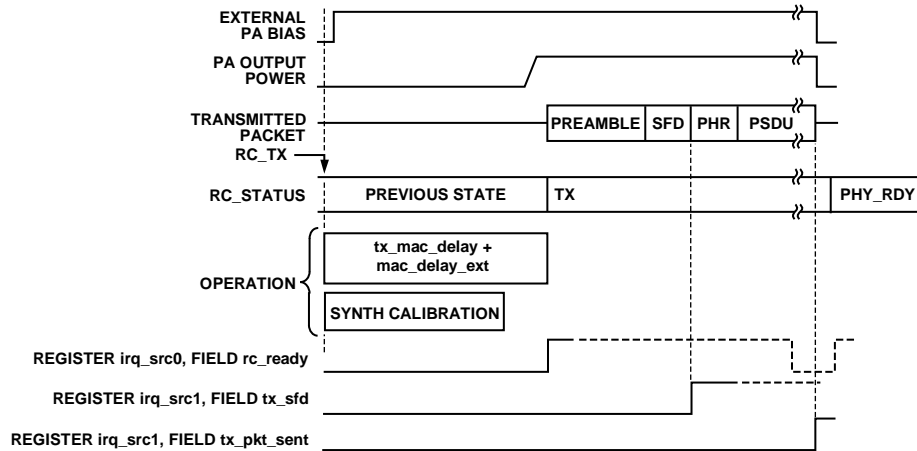


Figure 35. Transmit Timing and Control

09322-013

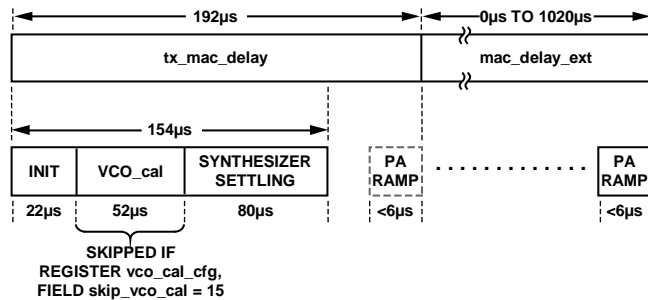


Figure 36. Synthesizer Calibration Following RC_TX

09322-014

The radio controller first transmits the automatically generated preamble and SFD. If it has been enabled, an SFD interrupt is asserted after the SFD is transmitted. The packet manager then reads TX_BUFFER, starting with the PHR byte and transmits its contents. Following the transmission of the entire frame, the radio controller turns the PA off and asserts a tx_pkt_sent interrupt. The ADF7241 then automatically returns to the PHY_RDY state unless automatic operating modes have been configured.

By default, the synthesizer is recalibrated each time an RC_TX command is issued. Figure 36 shows the synthesizer calibration sequence that is performed each time the transceiver enters the TX state. The total TX MAC delay is defined by the combined delay configured with Register delaycfg1, Field tx_mac_delay and Register delaycfg2, Field mac_delay_ext. Register delaycfg1, Field tx_mac_delay is programmable in steps of 1 µs, whereas Register delaycfg2, Field mac_delay_ext is programmable in steps of 4 µs. The default value of Register delaycfg1, Field tx_mac_delay is the length of 12 IEEE 802.15.4-2006-2.4 GHz symbols or 192 µs.

The default value of Register delaycfg2, Field mac_delay_ext is 0 µs. Following the issue of the RC_TX command, while the delay defined by Register delaycfg1, Field tx_mac_delay is elapsing, Register delaycfg2, Field mac_delay_ext can be

updated up until the time, t_{27} , specified in Table 12. This allows a dynamic adjustment of the transmission timing for acknowledge (ACK) frames for networks using slotted CSMA/CA. To ensure correct settling of the synthesizer prior to PA ramp-up, the total TX MAC delay should not be programmed to a value shorter than specified by the PHY_RDY or RX to TX timing specified in Table 10. The RC_TX command can be aborted up to the time specified by Parameter t_{28} in Table 12 by means of issuing an RC_PHY_RDY, RC_RX, or RC_IDLE command.

The VCO calibration (VCO_cal) can be skipped if shorter turnaround times are required. Skipping the VCO calibration is possible if the channel frequency control word ch_freq[23:0] has remained unchanged since the last RC_PHY_RDY, RC_RX, RC_CCA, or RC_TX command was issued with VCO_cal enabled. The initialization, synthesizer settling, and PA ramping phases are mandatory however because the synthesizer bandwidth is changed between receive and transmit operation. Skipping the VCO calibration is an option for single-channel communication systems, or systems where an ACK frame is transmitted on the same channel upon reception of a packet.

VCO_cal is skipped by setting Register vco_cal_cfg, Field skip_vco_cal = 15. In this case, tx_mac_delay can be reduced to 140 µs. The VCO calibration is executed if Register vco_cal_cfg, Field skip_vco_cal = 9.

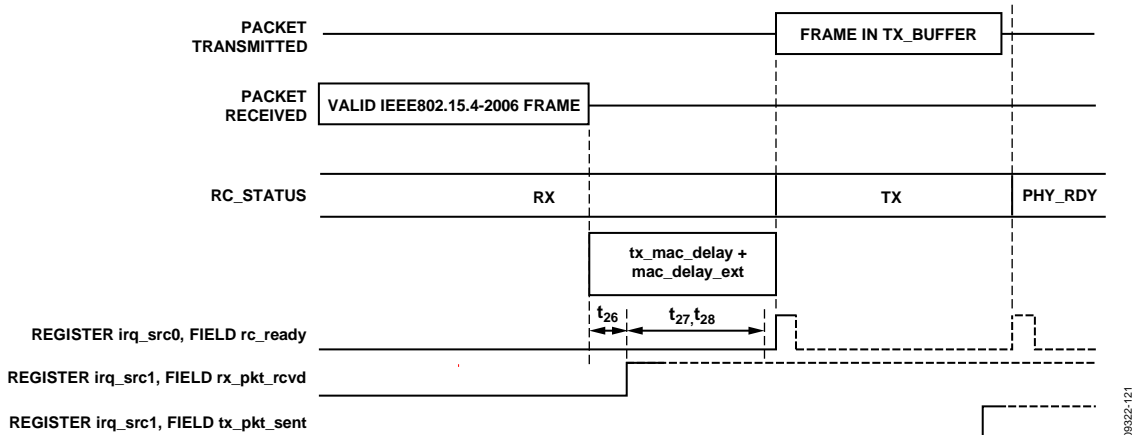


Figure 37. IEEE 802.15.4 Auto RX-to-TX Turnaround Mode

IEEE 802.15.4 AUTOMATIC RX-TO-TX TURNAROUND MODE

The ADF7241 features an automatic RX-to-TX turnaround mode when it is operating in IEEE 802.15.4-2006 packet mode (Register `rc_cfg`, Field `rc_mode` = 0). The automatic RX-to-TX turnaround mode facilitates the timely transmission of acknowledgment frames.

Figure 37 illustrates the timing of the automatic RX-to-TX turnaround mode. When enabled by setting Register `buffercfg`, Field `auto_rx_to_tx_turnaround`, the ADF7241 automatically enters the TX state following the reception of a valid IEEE 802.15.4-2006 frame. After the combined transmit MAC delay (`tx_mac_delay` + `mac_delay_ext`), the ADF7241 enters the TX state and transmits the frame stored in `TX_BUFFER`. After the transmission is complete, the ADF7241 enters the `PHY_RDY` state. There is a 38 μ s delay between the reception of the last symbol and the generation of the `rx_pkt_rcvd` interrupt. The transmit MAC delay timeout period begins immediately after the reception of the last symbol. Therefore, the host MCU has up to `t28` μ s (see Table 12) after a frame has been received to cancel the transmit operation by means of issuing an `RC_IDLE`, `RC_PHY_RDY`, or `RC_RX` command.

POWER AMPLIFIER

The integrated power amplifier (PA) is connected to the `RFIO2P` and `RFIO2N` RF ports. It is equipped with a built-in harmonic filter to simplify the design of the external harmonic filter. The output power of the PA is set with Register `extpa_msc`, Field `pa_pwr` with an average step size of 2 dB. The step size increases at the lower end of the control range. Refer to Figure 26 for the typical variation of output power step size with the control word value. The PA also features a high power mode, which can be enabled by setting Register `pa_bias`, Field `pa_bias_ctrl` = 63 and Register `pa_cfg`, Field `pa_bridge_dbias` = 21.

PA Ramping Controller

The PA ramping controller of the ADF7241 minimizes spectral splatter generated by the transmitter. Upon entering the TX state, the ramping controller automatically ramps the output power of the PA from the minimum output power to the specified nominal value. In packet mode, transmission of the packet commences after the ramping phase. When the transmission of the packet is complete or the TX state is exited, the PA is turned off immediately. It is also possible to allow the PA to ramp down its output power using the same ramp rate for the ramp-up phase, by setting Register `ext_ctrl`, Field `pa_shutdown_mode` to 1.

Figure 38 illustrates the shape of the PA ramping profile and its timing. It follows a linear-in-dB shape. The ramp time depends on the output power setting in Register `extpa_msc`, Field `pa_pwr` and is specified with Register `pa_rr`, Field `pa_ramp_rate` according to the following equation:

$$t_{ramp} = 2^{pa_rr.pa_ramp_rate} \times 2.4 \text{ ns} \times extpa_msc.pa_pwr$$

External PA Interface

The ADF7241 has an integrated biasing block for external PA circuits as shown in Figure 39. It is suitable for external PA circuits based on a single GaAs MOSFET and a wide range of integrated PA modules. The key components are shown in Figure 40. A switch between Pin `VDD_BAT` and Pin `PAVSUP_ATB3` controls the supply current to the external FET. `PABIOP_ATB4` can be used to set a bias point for the external FET. The bias point is controlled by a 5-bit DAC and/or a bias servo loop.

To have the external PA interface under direct control of the host MCU, set Register `ext_ctrl`, Field `extpa_auto_en` = 0. The host MCU can then use Register `pd_aux`, Field `extpa_bias_en` to enable or disable the external PA. If Register `ext_ctrl`, Field `extpa_auto_en` = 1, the external PA automatically turns on when entering, and turns off when exiting the TX state. If this setting is used, the host MCU should not alter the configuration of Register `pd_aux`, Field `extpa_bias_en`.

The function of the two pins, PAVSUP_ATB3 and PABIAOP_ATB4, depends on the mode selected with Register `extpa_msc`, Field `extpa_bias_mode`, as shown in Table 18.

The reference current source for the DAC is controlled with Register `extpa_msc`, Field `extpa_bias_src` (`0x3AA[3]`). If Register `extpa_msc`, Field `extpa_bias_src` = 0, the current is

derived from the external bias resistor. If Register `extpa_msc`, Field `extpa_bias_src` = 1, the current is derived from the internal reference generator. The first option is more accurate and is recommended whenever possible.

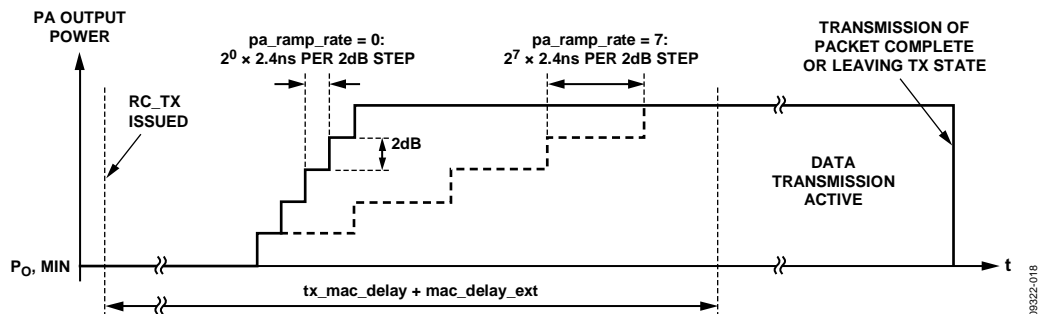


Figure 38. PA Ramping Profile

00322-018

External PA Interface Modes

- Mode 0 allows supply to an external circuit to be switched on or off. This is useful for circuits that have no dedicated power-down pin and/or have a high power-down current.
- Mode 1 allows the supply to an external circuit to be switched on or off. In addition, the PABIAOP_ATB4 pin acts as a programmable current source. A programmable voltage can be generated if a suitable resistor is connected between PABIAOP_ATB4 and GND.
- Mode 2 allows the supply to an external PA circuit to be switched on or off. In addition, the PABIAOP_ATB4 pin acts as a programmable current sink. A programmable voltage can be generated if a suitable resistor is connected between PABIAOP_ATB4 and VDD_BAT.
- Mode 3 is the same as Mode 1, except that the switch between PAVSUP_ATB3 and VDD_BAT is open.
- Mode 4 is the same as Mode 2, except that the switch between PAVSUP_ATB3 and VDD_BAT is open.
- Mode 5 is intended for a PA circuit based on a single external FET. The supply voltage to this FET is controlled through the PAVSUP_ATB3 pin to ensure a low leakage current in the power-down state. The bias servo loop controls the gate bias voltage of the external FET such that the current through the supply switch is equal to a

reference current. The reference current for the bias servo loop is generated by the 5-bit reference DAC. In this mode, the bias servo loop expects the current in the FET to increase with increasing voltage at the PABIAOP_ATB4 output.

- Mode 6 is the same as Mode 5, except that the bias servo loop expects the current in the FET to increase with decreasing voltage at the PABIAOP_ATB4 output.

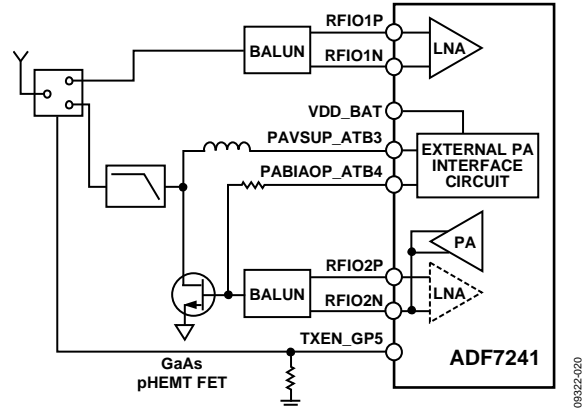


Figure 39. Typical External PA Applications Circuit

Table 18. PA Interface

| Register extpa_msc, Field extpa_bias_mode | Register pd_aux, Field extpa_bias_en ¹ | VDD_BAT to PAVSUP_ATB3 Switch | Function of Pin PABIAOP_ATB4 |
|---|---|-------------------------------|--|
| X ² | 0 | Open | Not used |
| 0 | 1 | Closed | Not used |
| 1 | 1 | Closed | Current source |
| 2 | 1 | Closed | Current sink |
| 3 | 1 | Open | Current source |
| 4 | 1 | Open | Current sink |
| 5 | 1 | Closed | Bias current servo output, positive polarity |
| 6 | 1 | Closed | Bias current servo output, negative polarity |
| 7 | 1 | Reserved | Reserved |

¹ Autoenabled when Register ext_ctrl, Field extpa_auto_en = 1.

² X = don't care.

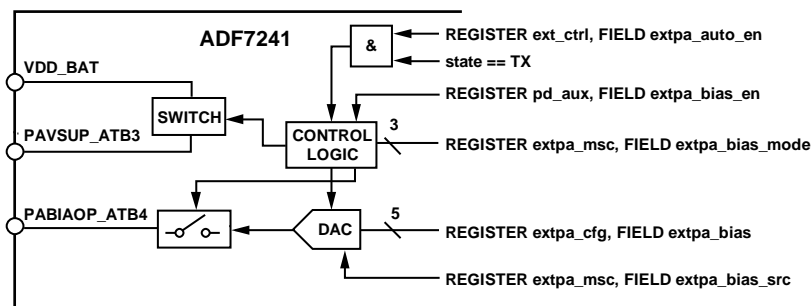


Figure 40. Details of External PA Interface circuit

RECEIVER

RECEIVE OPERATION

The two primary receiver operating modes are

- IEEE 802.15.4-2006 packet manager mode
- IEEE 802.15.4-2006 SPORT mode

The desired operating mode is selected with Register `rc_cfg`, Field `rc_mode`. The SPORT modes are explained in more detail in the SPORT Interface section.

The output of the post demodulator filter is fed into a bank of correlators, which compare the incoming data sequences to the expected IEEE 802.15.4-2006 sequences. The receiver block operates in three primary states.

- Preamble qualification
- Symbol timing recovery
- Data symbol reception

During preamble qualification, the correlators check for the presence of preamble. When preamble is qualified, the device enters symbol timing recovery mode. The device symbol timing is achieved once a valid SFD is detected. The ADF7241 supports programmable SFDs. Refer to the Programmable SFD section for further details.

The received symbols are then passed to the packet manager in packet mode or the SPORT interface in SPORT mode. In SPORT mode, four serial clocks are output on Pin `TRCLK_CKO_GP3`, and four data bits are shifted out on Pin `DR_GP0` for each received symbol. Refer to the SPORT Interface section for further details.

If in packet mode, when the packet manager determines the end of a packet, the ADF7241 automatically transitions to `PHY_RDY` or `TX` or remains in `RX`, depending on the setting in Register `buffercfg`, Field `rx_buffer_mode` (see Receiver Configuration in Packet Mode section). If in SPORT mode, the part remains in `RX` until the user issues a command to change to another state.

Programmable SFD

An alternative to the standard IEEE 802.15.4-2006 SFD byte can optionally be selected by the user. The default setting of Register `sfd_15_4`, Field `sfd_symbol_1` and Field `sfd_symbol_2` (0x3F4[7:0]) is the standard IEEE 802.15.4-2006 SFD. If the user programs this register with an alternative value, this is used as the SFD in receive and transmit. The requirements are as follows:

- The value must not be a repeated symbol (for example, not 0x11 or 0x22).
- The value must not be similar to the preamble symbol (that is, not Symbol 0x0 or Symbol 0x8).

Receiver Configuration in Packet Mode

Packet management support is selected when Register `rc_cfg`, Field `rc_mode` = 0 (0x13E[7:0]). `RX_BUFFER` is overwritten when the ADF7241 enters the `RX` state following an `RC_RX` command and an SFD is detected. The SFD is stripped off the

incoming frame, and all data following and including the frame length (PHR) is written to `RX_BUFFER`.

If Register `pkt_cfg`, Field `auto_fcs_off` = 1, the FCS of the incoming frame is stored in `RX_BUFFER`. When the entire frame has been received, an `rx_pkt_rcvd` interrupt is asserted irrespective of the correctness of the FCS. If `auto_fcs_off` = 0, the radio controller calculates the FCS of the incoming frame according to the FCS polynomial defined in the IEEE 802.15.4-2006 standard (see Equation 1), and compares the result against the FCS of the incoming frame. An `rx_pkt_rcvd` interrupt is asserted only if both FCS fields match. The FCS is not written to `RX_BUFFER` but is replaced with the measured RSSI and signal quality indicator (SQI) values of the received frame (see Figure 41).

$$G_{16}(x) = x^{16} + x^{12} + x^5 + 1 \quad (1)$$

The behavior of the radio controller following the reception of a frame can be configured with Register `buffercfg`, Field `rx_buffer_mode` (0x107[1:0]). With the default setting `rx_buffer_mode` = 0, the part reverts automatically to `PHY_RDY` when an `rx_pkt_rcvd` interrupt condition occurs. This mode prevents `RX_BUFFER` from being overwritten by the next frame before the host MCU can read it from the ADF7241. This is because a new frame is always written to `RX_BUFFER` starting from the address stored in Register `rxpb`, Field `rx_pkt_base` (0x315[7:0]). Note that reception of the next frame is inhibited until the MAC delay following an `RC_RX` command has elapsed.

If Register `buffercfg`, Field `rx_buffer_mode` = 1 (0x107[1:0]), the part remains in the `RX` state, and the reception of the next packet is enabled one MAC delay period after the frame has been written to `RX_BUFFER`. Depending on the network setup, this mode can cause an unnoticed violation of `RX_BUFFER` integrity if a frame arrives prior to the MCU having read the frame from `RX_BUFFER`.

If Register `buffercfg`, Field `rx_buffer_mode` = 2 (0x107[1:0]), the reception of frames is disabled. This mode is useful for RSSI measurements and CCA, if the contents of `RX_BUFFER` are to be preserved.

RECEIVER CALIBRATION

The receive path is calibrated each time an `RC_RX` command is issued. Figure 42 outlines the synthesizer and receive path calibration sequence and timing. The calibration step `VCO_cal` is omitted by setting Register `vco_cal_cfg`, Field `skip_vco_cal` = 15 (0x36F[3:0]), which is an option if the value of `ch_freq`[23:0] remains unchanged during transitions between the `PHY_RDY`, `RX`, and `TX` states. The synthesizer settling phase is always required because the PLL bandwidth is optimized differently for `RX` and `TX` operation. The static offset correction phase (`OCL_stat`) and dynamic offset correction phase (`OCL_dyn`) are also mandatory.

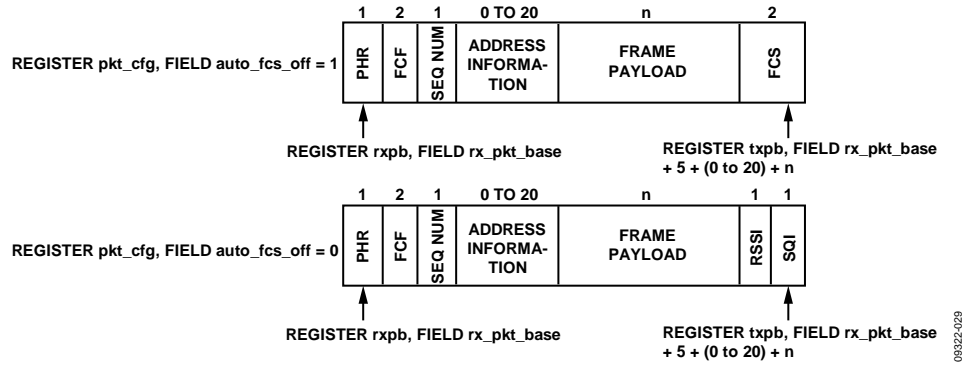


Figure 41. IEEE 802.15.4-2006 Packet Fields Stored by the Packet Manager in RX_BUFFER

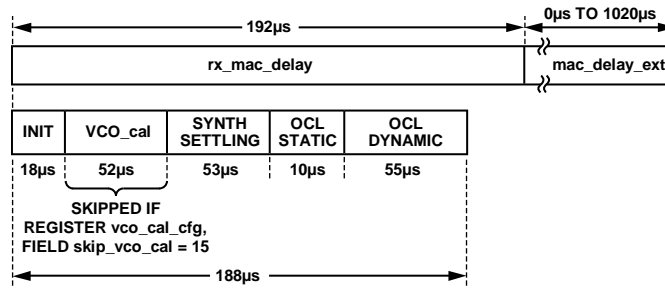


Figure 42. RX Path Calibration

RECEIVE TIMING AND CONTROL

Register rc_cfg, Field rc_mode = 0 (0x13E[7:0]) for packet mode, and Register rc_cfg, Field rc_mode = 2 for RX SPORT mode. See the SPORT Interface section for details on the operation of the SPORT interface. By default, ADF7241 performs a synthesizer and a receiver path calibration immediately after it receives an RC_RX command. The transition into the RX state occurs after the receiver MAC delay has elapsed. The total receiver MAC delay is determined by the sum of the delay times configured in Register delaycfg0, Field rx_mac_delay (0x109[7:0]) and Register delaycfg2, Field mac_delay_ext (0x10B[7:0]). Register delaycfg0, Field rx_mac_delay (0x109[7:0]) is programmable in steps of 1 μ s, whereas Register delaycfg2, Field mac_delay_ext (0x10B[7:0]) is programmable in steps of 4 μ s. Register delaycfg2, Field mac_delay_ext is typically set to 0. It can, however, be dynamically used to accurately align the RX slot timing.

Figure 43 shows the timing sequence for packet mode. If SPORT mode is enabled, the timing sequence is the same except that no rx_pkt_rcvd interrupt is generated and no automatic transition into the PHY_RDY state occurs.

When entering the RX state, if Register cca2, Field rx_auto_cca = 1 (0x106[1]), a CCA measurement is started. The radio controller asserts a cca_complete interrupt when the CCA result is available in the status word. Upon detection of the SFD, the radio controller asserts an rx_sfd interrupt, which can be used by the host MCU for synchronization purposes. By default, the ADF7241 transitions into the PHY_RDY state when a valid frame has been received into RX_BUFFER and, if enabled, an rx_pkt_rcvd interrupt is asserted. This mechanism protects the integrity of RX_BUFFER. The RX state can be exited at any time by means of an appropriate radio controller command.

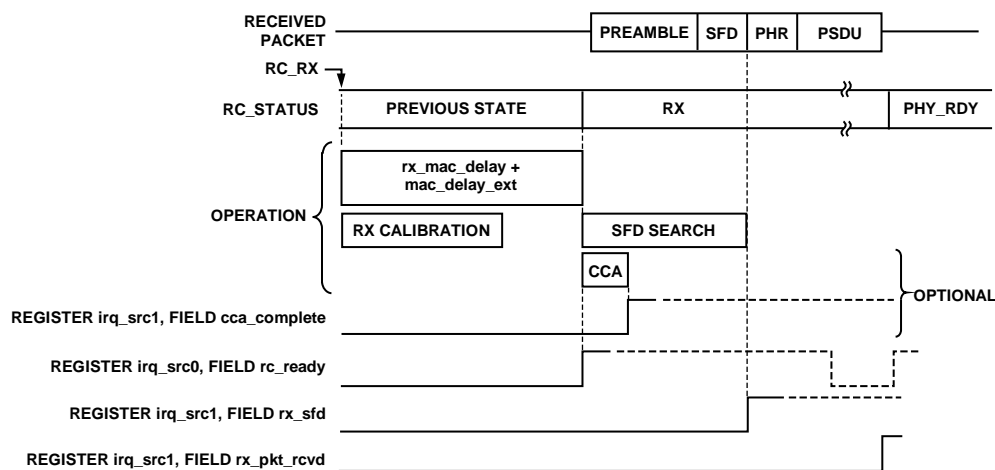


Figure 43. RX Timing and Control

06322-022

CLEAR CHANNEL ASSESSMENT (CCA)

The CCA function of the ADF7241 complies with CCA Mode 1 as per IEEE 802.15.4-2006. A CCA can be specifically requested by means of an RC_CCA command or automatically obtained when the transceiver enters the RX state. In both cases, the start of the CCA averaging window is defined by when the RC_CCA or RC_RX command is issued and when the delay is configured in Register delaycfg0, Field rx_mac_delay (0x109[7:0]) and Register delaycfg2, Field mac_delay_ext (0x10B[7:0]). The CCA result is determined by comparing Register cca1, Field cca_thres (0x105[7:0]) against the average RSSI value measured throughout the CCA averaging window. If the measured RSSI value is less than the threshold value configured in Register cca1, Field cca_thres (0x105[7:0]), CCA_RESULT in the status word is set; otherwise, it is reset. The cca_complete interrupt is asserted when CCA_RESULT in the status word is valid.

Figure 44 shows the timing sequence after issuing the RC_CCA command when Register cca2, Field continuous_cca = 0 (0x106[2]). Following the RC_CCA command, the transceiver starts the CCA observation window after the delay specified by the sum of Register delaycfg0, Field rx_mac_delay (0x109[7:0]) and Register delaycfg2, field mac_delay_ext (0x10b[7:0]) has elapsed. A cca_complete interrupt is asserted at the end of the CCA averaging window, and the transceiver enters the PHY_RDY state.

When Register cca2, Field continuous_cca = 1 (0x106[2]), the transceiver remains in CCA state and continues to calculate CCA results repeatedly until a RC_PHY_RDY command is issued. This case is illustrated in Figure 45. The first cca_complete interrupt occurs when the first CCA averaging window after the RX MAC delay has elapsed. The transceiver then repeatedly restarts the CCA averaging window each time a cca_complete interrupt is asserted.

This configuration is useful for longer channel scans. CCA_RESULT in the status word can be used to identify if the configured CCA RSSI threshold value has been exceeded during a CCA averaging period. Alternatively, the RSSI value in Register rrb, Field rssi_readback can be read by the host MCU after each cca_complete interrupt. As indicated in Figure 45, the RSSI readback value holds the results of the previous RSSI measurement cycle throughout the CCA averaging window and is updated only shortly before the cca_complete interrupt is asserted.

LINK QUALITY INDICATION (LQI)

The link quality indication (LQI) is defined in the IEEE 802.15.4-2006 standard as a measure of the signal strength and signal quality of a received IEEE 802.15.4-2006 frame. The ADF7241 makes several measurements available from which an IEEE 802.15.4-2006-compliant LQI value can be calculated in the MCU. The first parameter is the RSSI value (see the Automatic Gain Control (AGC) and Receive Signal Strength Indicator (RSSI) subsection of the Receiver Radio Blocks section).

The second parameter required for the LQI calculation can be read from Register lrb, Field sqi_readback (0x30D[7:0]), which contains an 8-bit value representing the quality of a received IEEE 802.15.4-2006 frame. It increases monotonically with the signal quality and must be scaled to comply with the IEEE 802.15.4-2006 standard.

If the ADF7241 is operating in packet mode (Register rc_cfg, Field rc_mode = 0 (0x13E[7:0])), and Register pkt_cfg, Bit auto_fcs_off = 0 (0x108[0]), the SQI of a received frame is measured and stored together with the frame in RX_BUFFER. The SQI is measured over the entire packet and stored in place of the second byte of the FCS of the received frame in RX_BUFFER.

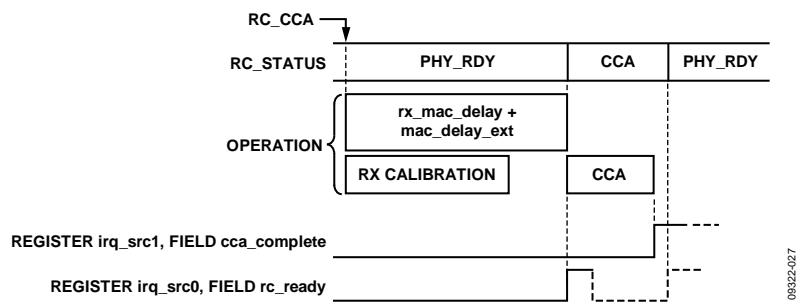


Figure 44. CCA Timing Sequence, Register cca2, Field continuous_cca = 0 (0x106[2])

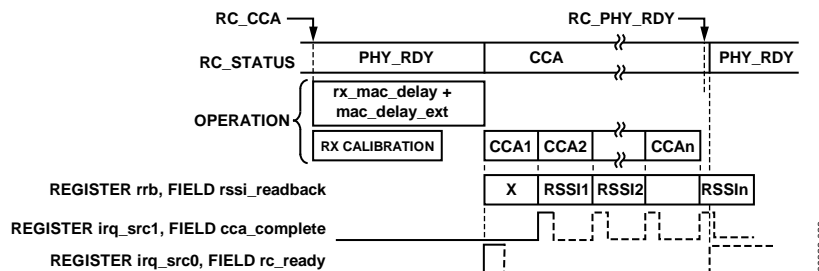


Figure 45. CCA Timing Sequence, Register cca2, Field continuous_cca = 1 (0x106[2])

AUTOMATIC TX-TO-RX TURNAROUND MODE

The ADF7241 features an automatic TX-to-RX turnaround mode when operating in IEEE 802.15.4-2006 packet mode. The automatic TX-to-RX turnaround mode facilitates the timely reception of acknowledgment frames.

Figure 46 illustrates the timing of the automatic TX-to-RX turnaround mode. When enabled by setting Register `buffercfg`, Field `auto_tx_to_rx_turnaround` (0x107[3]), the ADF7241 automatically enters the RX state following the transmission of an IEEE 802.15.4-2006 frame. After the combined receiver MAC delay (Register `delaycfg0`, Field `rx_mac_delay` + Register `delaycfg2`, Field `mac_delay_ext`), the ADF7241 enters the RX state and is ready to receive a frame into `RX_BUFFER`. Subsequently, when a valid IEEE 802.15.4-2006 frame is received, the ADF7241 enters the `PHY_RDY` state.

IEEE 802.15.4 FRAME FILTERING, AUTOMATIC ACKNOWLEDGE, AND AUTOMATIC CSMA/CA

The following IEEE 802.15.4-2006 functions are enabled by the firmware module, `RCCM_IEEEX`:

- Automatic IEEE 802.15.4 frame filtering
- Automatic acknowledgment of received valid IEEE 802.15.4 frames
- Automatic frame transmission using unslotted CSMA/CA with automatic retries

See the Downloadable Firmware Modules and Writing to the ADF7241 sections for details on how to download a firmware module to the ADF7241.

Frame Filtering

Frame filtering is available when the ADF7241 operates in IEEE 802.15.4 packet mode. The frame filtering function rejects received frames not intended for the wireless node. The filtering procedure is a superset of the procedure described in Section 7.5.6.2 (third filtering level) of the IEEE 802.15.4-2006 standard. Field `addon_en` in Register `pkt_cfg` controls whether frame filtering is enabled

Automatic Acknowledgment

The ADF7241 has a feature that enables the automatic transmission of acknowledgment frames after successfully receiving a frame. The automatic acknowledgment feature of the receiver can only be used in conjunction with the IEEE 802.15.4 frame filtering feature. When enabled, an acknowledgment frame is automatically transmitted when the following conditions are met:

- The received frame is accepted by the frame filtering procedure.
- The received frame is not a beacon or acknowledgment frame.
- The acknowledgment request bit is set in the FCF of the received frame.

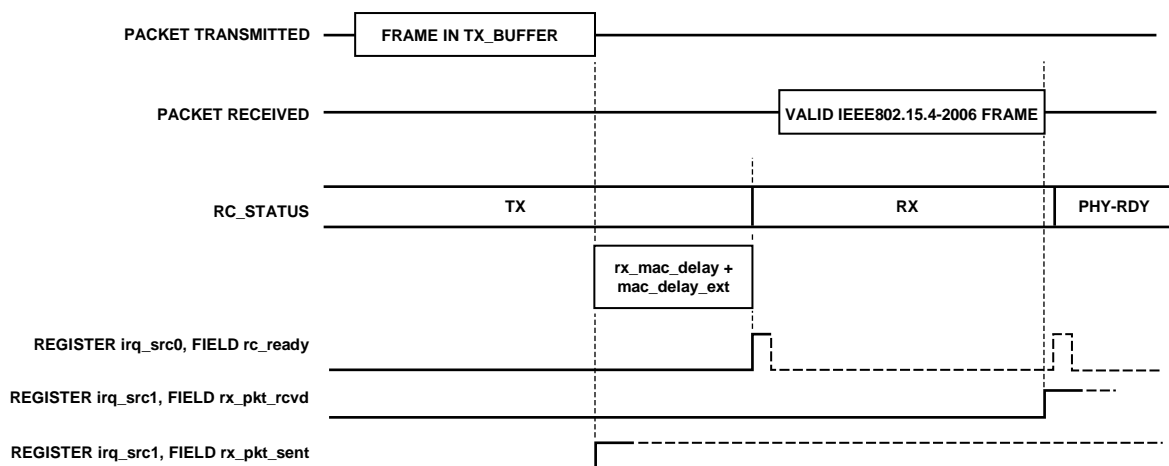


Figure 46. IEEE 802.15.4-2006 Auto TX-to-RX Turnaround Mode

09322-030

Figure 47 shows the format of the acknowledgment frame assembled by the ADF7241. The sequence number (Seq. Num.) is copied from the frame stored in RX_BUFFER. The automatic acknowledgment feature of the receiver uses TX_BUFFER to store the constructed acknowledgment frame prior to its transmission. Any data present in TX_BUFFER is overwritten by the acknowledgment frame prior to its transmission.



Figure 47. ACK Frame Format

The transmission of the ACK frame starts after the combined delay given by the sum of the delays specified in Register delaycfg1, Field tx_mac_delay and Register delay_cfg2, Field mac_delay_ext has elapsed. The default settings of Register delaycfg1, Field tx_mac_delay = 192 and Register delay_cfg2, Field mac_delay_ext = 0 result in a delay of 192 μs, which suits networks using unslotted CSMA/CA. Optionally, Register delay_cfg2, Field mac_delay_ext can be updated dynamically while the delay specified in Register delaycfg1, Field tx_mac_delay elapses. This option enables accurate alignment of the acknowledgment frame with the back-off slot boundaries in networks using slotted CSMA/CA.

When the receiver automatic acknowledgment mode is enabled, the ADF7241 remains in the RX state until a valid frame has been received. When enabled, an rx_pkt_rcvd interrupt is generated. The ADF7241 then automatically enters the TX state until the transmission of the acknowledgment frame is complete. When enabled, a tx_pkt_sent interrupt is generated to signal the end of the transmission phase. Subsequently, the ADF7241 returns to the PHY_RDY state.

Automatic Unslotted CSMA/CA Transmit Operation

The automatic CSMA/CA transmit operation automatically performs all necessary steps to transmit frames in accordance with the IEEE 802.15.4-2006 standard for unslotted CSMA/CA network operation. It includes automatic CCA retries with random backoff, frame transmission, reception of the acknowledgment frame, and automatic retries in the case of transmission failure. Partial support is provided for slotted CSMA/CA operation.

The number of CSMA/CA CCA retries can be specified between 0 and 5 in accordance with the IEEE 802.15.4 standard. The CSMA/CA can also be disabled, causing the transmission of the frame to commence immediately after the MAC delay has expired. This configuration facilitates the implementation of the transmit procedure in networks using slotted CSMA/CA. In this case, the timing of the CCA operation must be controlled by the host MCU, and the number of retries must be set to 1.

Prior to the transmission of the frame stored in TX_BUFFER, the radio controller checks if the acknowledge request bit in the FCF of that frame is set. If it is set, then an acknowledgment frame is expected following the transmission. Otherwise, the transaction is complete after the frame has been transmitted. The acknowledgment request bit is Bit 5 of the byte located at the address contained in Register txpb, Field tx_packet_base + 1.

Figure 48 depicts the automatic CSMA/CA operation. The firmware module download enables an additional command, RC_CSMACA, to initiate this CSMA/CA operation. It also enables an additional interrupt, csma_ca_complete, to be set to indicate when the CSMA/CA procedure is completed. As per the IEEE 802.15.4-2006 standard for unslotted CSMA/CA, the first CCA is delayed by a random number of backoff periods, where a unit backoff period is 320 μs. The CCA is carried out for a period of 128 μs as specified in the IEEE 802.15.4-2006 standard.

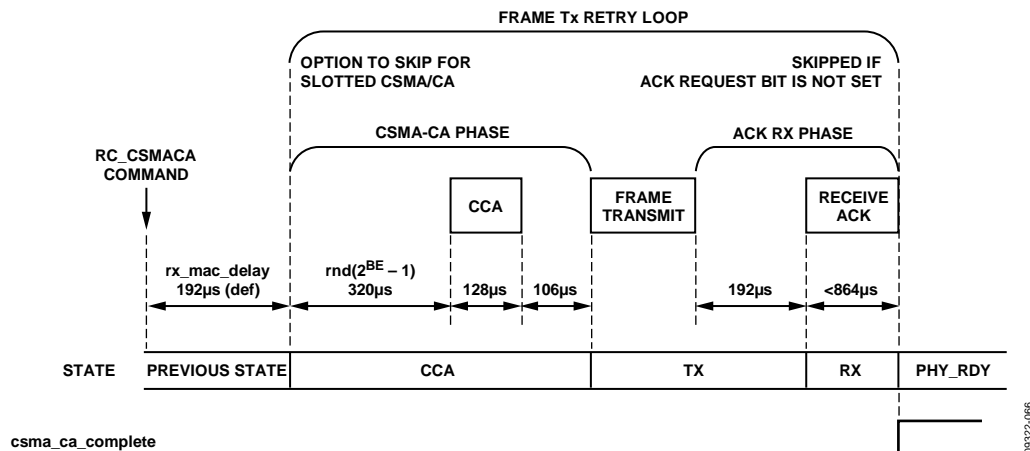


Figure 48. Automatic CSMA/CA Transmit Operation (with CCA)

If a busy channel is detected during the CCA phase, the radio controller performs the next delay/CCA cycle until the maximum number of CCA retries specified has been reached. If the maximum number of allowed CCA retries has been reached, the operation is aborted, and the device transitions to the PHY_RDY state.

If the CCA is successful, the radio controller changes the device state from the CCA state to the TX state and transmits the frame stored in TX_BUFFER. The minimum turnaround time from RX to TX is 106 μ s. If neither the acknowledge request bit in the transmitted frame nor the csma_ca_turnaround bit are set, the device returns to the PHY_RDY state immediately upon completion of the frame transmission. Otherwise, it enters the RX state and waits for up to 864 μ s for an acknowledgment. If an acknowledgment is not received within this time and the maximum number of frame retries has not been reached, the ADF7241 remains inside the frame transmit retry loop and starts the next CSMA/CA cycle. Otherwise, it exits to the PHY_RDY state. The procedure exits with a csma_ca_complete interrupt.

RECEIVER RADIO BLOCKS

Baseband Filter

Baseband filtering on the ADF7241 is accomplished by a cascade of analog and digital filters. These are configured for optimum performance assuming a crystal frequency tolerance of ± 40 ppm.

Offset Correction Loop (OCL)

The ADF7241 is equipped with a fast and autonomous offset correction loop (OCL), which cancels both static and dynamic time-varying offset voltages present in the zero-IF receiver path. The OCL operates continuously and is not constrained by the formatting, timing, or synchronization of the data being received. The scheme is suitable for frequency hopping spread-spectrum (FHSS) communication systems.

Automatic Gain Control (AGC) and Receive Signal Strength Indicator (RSSI)

The ADF7241 AGC circuit features fast overload recovery using dynamic bandwidth adjustments for fast preamble acquisition and optimum utilization of the dynamic range of the receiver path. The radio controller automatically enables the AGC after an offset correction phase, which is carried out when the transceiver enters the RX state.

The RSSI readback value is continuously updated while the ADF7241 is in the RX state. The result is provided in Register rrb, Field rssi_readback (0x30C[7:0]) in decibels relative to 1 mW (dBm) using signed twos complement notation. The RSSI averaging window is synchronized with the start of the active RX phase at the end of the MAC delay following an RC_RX command.

The RSSI averaging period is 128 μ s, or eight symbol periods, in compliance with the IEEE 802.15.4-2006 standard. If the ADF7241 is operating in the IEEE 802.15.4-2006 packet mode, the RSSI of received frames is measured and stored together with the frame in RX_BUFFER. The RSSI is measured in a window with a length of eight symbols immediately following the detected SFD. The result is then stored in place of the first byte of the FCS of the received frame in RX_BUFFER. It is also possible to compensate for systematic errors of the measured RSSI value and/or production tolerances by adjusting the RSSI readback value by an offset value that can be programmed in Register agc_cfg5, Field rssi_offs (0x3B9[4:2]). The adjustment resolution is in 1 dB steps.

SPORT INTERFACE

The SPORT interface is a high speed synchronous serial interface suitable for interfacing to a wide variety of MCUs and DSPs, without the use of glue logic. These include, among others, the ADSP-21xx, SHARC, TigerSHARC and Blackfin DSPs. Figure 66 and Figure 67 show typical application diagrams using one of the available SPORT modes. The interface uses four signals, a clock output (TRCLK_CKO_GP3), a receive data output (DR_GP0), a transmit data input (DT_GP1), and a framing signal output (IRQ2_TRFS_GP2). The IRQ2 output functionality is not available while the SPORT interface is enabled. The SPORT interface supports receive and transmit operations. Table 19 lists the SPORT interface options. Refer to Device Configuration section for further details on register programming requirements. To use the SPORT interface for transmitting IEEE 802.15.4 the symbol chipping operation must be performed externally.

SPORT MODE

SPORT Mode Receive Operation

The ADF7241 provides an operating mode in which the SPORT interface is active and the packet manager is bypassed. It allows the reception of packets of arbitrary length. The mode is enabled by setting Register rc_cfg, Field rc_mode = 2 (0x13E[7:0]) and Register gp_cfg, Field gpio_config = 1 (0x32C[7:0]). When the SFD is detected, data and clock signals appear on the SPORT outputs, DR_GP0 and TRCLK_CKO_GP3, respectively. The

SPORT interface remains active until an RC_RX command is reissued or the RX state is exited by another command. The rx_pkt_rvcd interrupt is not available in this mode. Figure 7 illustrates the timing for this configuration. Refer to Table 19 for details of pins relevant to the SPORT interface mode.

Receive Symbol Clock in SPORT Mode

The ADF7241 offers a symbol clock output option during IEEE 802.15.4 packet reception. This option is useful when a tight timing synchronization between incoming packets and the network is required, and the SFD interrupt (rx_sfd) cannot be used to achieve this. When in IEEE 802.15.4-2006 packet mode (Register rc_cfg, Field rc_mode = 0), set Register gp_cfg, Field gpio_config = 7 (0x32C[7:0]) to enable the symbol clock output.

SPORT Mode Transmit Operation

TX SPORT mode is enabled by setting Register rc_cfg, Field rc_mode = 3. It is necessary for the host MCU to perform the IEEE 802.15.4 chipping sequence in this mode. The data, sent through the SPORT interface on Pin DT_GP1, should be synchronized with the clock signal that appears on Pin TRCLK_CKO_GP3. Figure 9 shows the timing for this configuration. The polarity of this clock signal can be set by Register gp_cfg, Field gpio_config. The tx_pkt_sent interrupt is not available in this mode. See Table 19 for details of pins relevant to this SPORT mode.

Table 19. SPORT Interface Configuration

| Register gp_cfg, Field gpio_config | Register rc_cfg, Field rc_mode | IRQ2_TRFS_GP2 | DR_GP0 | DT_GP1 | RXEN_GP5 | RXEN_GP6 | TRCLK_CKO_GP3 |
|------------------------------------|--------------------------------|---------------|---|---|--------------|--------------|------------------|
| 1 | 2 | RX: ignore | RX: data output, changes at rising edge of data clock | RX: ignore | RX: ignore | RX: ignore | RX: data clock |
| 7 | 2 | RX: ignore | RX: Symbol 0 | RX: Symbol 1 | RX: Symbol 2 | RX: Symbol 3 | RX: symbol clock |
| 1 | 3 | TX: ignore | TX: ignore | TX: data input, sampled at rising edge of data clock | TX: ignore | TX: ignore | TX: data clock |
| 4 | 3 | TX: ignore | TX: ignore | TX: data input, sampled at falling edge of data clock | TX: ignore | TX: ignore | TX: data clock |

DEVICE CONFIGURATION

After a cold start, or wake-up from sleep, it is necessary to configure the ADF7241. The device can be configured in two ways: an IEEE 802.15.4-2006 packet mode and an IEEE 802.15.4-2006 SPORT mode. Registers applicable to the setup each of the two primary modes are detailed in Table 22.

Table 20 and Table 21 detail the values that should be written to the register locations given in Table 22 to configure the ADF7241 in the desired mode of operation.

CONFIGURATION VALUES

If it is desired to use RF Port 1 rather than RF Port 2 (see the RF Port Configurations/Antenna Diversity section), the value specific to the desired operating mode given in Table 20 should be written to the relevant register field.

Table 20. Settings Required to Select Between LNA Port 1 and LNA Port 2

| Address | Register Field | Value |
|----------|-------------------|------------------------|
| 0x39B[4] | rxfe_cfg, lna_sel | 0x0: LNA1 0x1: LNA2 |

Configuration Values for IEEE 802.15.4-2006 Packet and SPORT Modes

No register writes are required to configure IEEE 802.15.4 packet mode unless it is desired to select RF Port 1 rather than RF Port 2. For SPORT mode, the values detailed in Table 21 should be written to the ADF7241.

Table 21. IEEE 802.15.4 Configuration Settings

| Address | Register Name | Packet Mode | SPORT Mode |
|---------|---------------|-------------|--------------|
| 0x13E | rc_cfg | N/A | See Table 19 |
| 0x306 | tx_m | N/A | 0x01 |
| 0x32C | gp_cfg | N/A | See Table 19 |

Note that, if it is desired to use a nonstandard SFD, an additional register write is required. Refer to the Programmable SFD section for details.

Table 22. Register Writes Required to Configure the ADF7241

| Register Group Description | Register | IEEE 802.15.4 Packet Mode | IEEE 802.15.4 SPORT Mode |
|-----------------------------|--------------------|---------------------------|--------------------------|
| RFIO Port | 0x39B | Yes | Yes |
| Packet/SPORT Mode Selection | 0x13E | No | Yes |
| SPORT Mode Configuration | 0x32C | No | Yes |
| Sync Word | 0x3F4 ¹ | Yes ¹ | Yes ¹ |
| Transmit Filters | 0x306 | No | Yes |

¹ This applies only when the user wishes to program a nonstandard SFD.

RF PORT CONFIGURATIONS/ANTENNA DIVERSITY

ADF7241 is equipped with two fully differential RF ports. Port 1 is capable of receiving, whereas Port 2 is capable of receiving or transmitting. RF Port 1 comprises Pin RFIO1P and Pin RFIO1N, and RF Port 2 comprises Pin RFIO2P and Pin RFIO2N. Only one of the two RF ports can be active at any one time.

The availability of two RF ports facilitates the use of switched antenna diversity and results in a simplified application circuit if the ADF7241 is connected to an external LNA and/or PA. Port selection for receive operation is configured through Register `rxfe_cfg`, Field `lna_sel` (0x39B[4]).

Configuration A

Configuration A of Figure 49 is the default connection where a single antenna is connected to RF Port 2. This selection is made by setting Register `rxfe_cfg`, Field `lna_sel` = 1 (default setting).

Configuration B

Configuration B shows a dual-antenna configuration that is suitable for switched antenna diversity. In this case, the link margin can be maximized by comparing the RSSI level of the signal received on each antenna and thus selecting the optimum antenna. In addition, the SQI value in Register `lrb`, Field `sqi_readback` can be used in the antenna selection decision.

Suitable algorithms for the selection of the optimum antenna depend on the particulars of the underlying communication system. Switching between two antennas is likely to cause a short interruption of the received data stream. Therefore, it is advisable to synchronize the antenna selection phase with the

preamble component of the packet. In a static communication system, it is often sufficient to select the optimum antenna once.

Configuration C

Configuration C shows that connecting an external PA and/or LNA is possible with a single external receive/transmit switch. The PA transmits on RF Port 2. RF Port 1 is configured as the receive input (Register `rxfe_cfg`, Field `lna_sel` = 0).

ADF7241 provides two signals, `RXEN_GP6` and `TXEN_GP5`, to automatically enable an external LNA and/or a PA. If Register `ext_ctrl`, Field `txen_en` = 1, the ADF7241 outputs a logic high level at the `TXEN_GP5` pin while in TX state, and a logic low level while in any other state. If Register `ext_ctrl`, Field `rxen_en` = 1, the ADF7241 outputs a logic high level at the `RXEN_GP6` pin while in RX state and a logic low level while in any other state.

The `RXEN_GP6` and `TXEN_GP5` outputs have high impedance in the sleep state. Therefore, appropriate pull-down resistors must be provided to define the correct state of these signals during power-down. See the PA Ramping Controller section for further details on the use of an external PA, including details of the integrated biasing block, which simplifies connection to PA circuits based upon a single FET.

Configuration D

Configuration D is similar to Configuration A, except that a dipole antenna is used. In this case, a balun is not required.

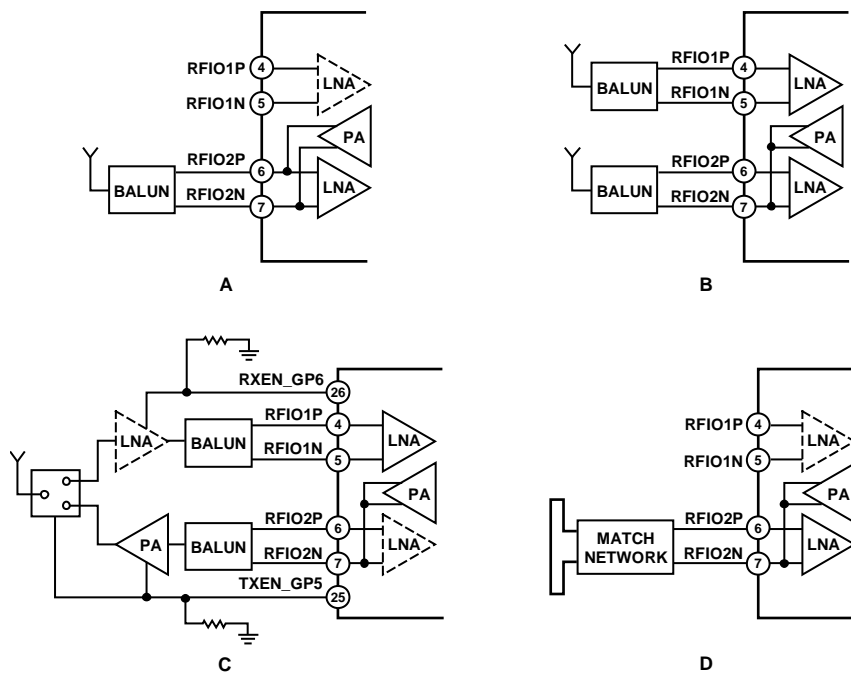


Figure 49. RF Interface Configuration Options (A: Single Antenna; B: Antenna Diversity; C: External LNA/PA; D: Dipole Antenna)

AUXILLARY FUNCTIONS

TEMPERTURE SENSOR

To perform a temperature measurement, the MEAS state is invoked using the RC_MEAS command. The result can be read back from Register `adc_rbk`, Field `adc_out` (0x3AE[5:0]). Averaging multiple readings improves the accuracy of the result. The temperature sensor has an operating range from -40°C to $+85^{\circ}\text{C}$.

The die (ambient) temperature is calculated as follows:

$$t_{die} = (4.72^{\circ}\text{C} \times \text{Register } adc_rbk, \text{Field } adc_out) + 65.58^{\circ}\text{C} + \text{correction value.}$$

where *correction value* can be determined by performing a readback at a single known temperature. Note also that averaging a number of ADC readbacks can improve the accuracy of the temperature measurement.

BATTERY MONITOR

The battery monitor features very low power consumption and can be used in any state other than the sleep state. The battery monitor generates a `batt_alert` interrupt for the host MCU when the battery voltage drops below the programmed threshold voltage. The default threshold voltage is 1.7 V, and can be increased in 62 mV steps to 3.6 V with Register `bm_cfg`, Field `battmon_voltage` (0x3E6[4:0]).

WAKE-UP CONTROLLER (WUC)

Circuit Description

The ADF7241 features a 16-bit wake-up timer with a programmable prescaler. The 32.768 kHz RC oscillator or the 32.768 kHz external crystal provides the clock source for the timer. This tick rate clocks a 3-bit programmable prescaler whose output clocks a preloadable 16-bit down counter. An overview of the timer circuit is shown in Figure 50 lists the possible division rates for the prescaler. This combination of programmable prescaler and 16-bit down counter gives a total WUC range of 30.52 μs to 36.4 hours.

Table 23. Prescaler Division Factors

| timer_prescal (0x316[2:0]) | 32.768 kHz Divider | Tick Period |
|----------------------------|--------------------|---------------------|
| 000 | 1 | 30.52 μs |
| 001 | 4 | 122.1 μs |
| 010 | 8 | 244.1 μs |
| 011 | 16 | 488.3 μs |
| 100 | 128 | 3.91 ms |
| 101 | 1024 | 31.25 ms |
| 110 | 8,192 | 250 ms |
| 111 | 65,536 | 2000 ms |

An interrupt generated when the wake-up timer has timed out can be enabled in Register `irq1_en0` or Register `irq2_en0`.

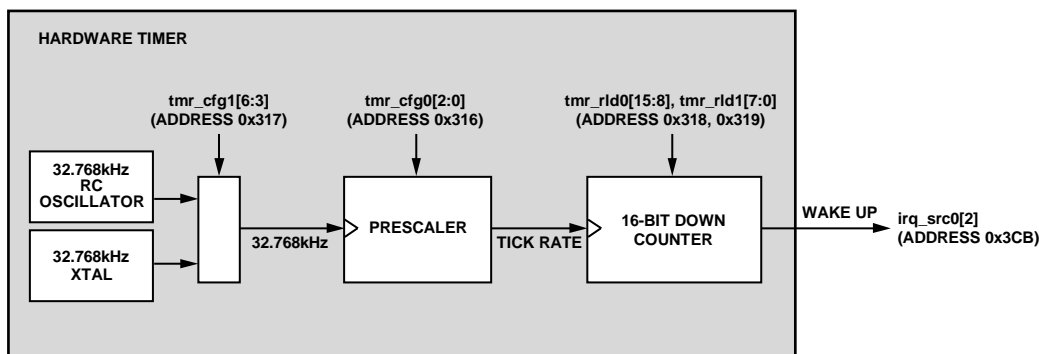


Figure 50. Hardware Wake-Up Timer Diagram

09322-942

ADF7241

WUC Configuration and Operation

The wake-up timer can be configured as follows:

- The clock signal for the timer is taken from the external 32.768 kHz crystal or the internal RC oscillator. This is selectable via Register `tmr_cfg1`, Field `sleep_config` (0x317[6:3]).
- A 3-bit prescaler, which is programmable via Register `tmr_cfg0`, Field `timer_prescal` (0x316[2:0]) determines the tick period.

This is followed by a preloadable 16-bit down counter. After the clock is selected, the reload value for the down counter (`tmr_rld0` and `tmr_rld1`) and the prescaler values (Register `tmr_cfg0`, Field `timer_prescal`) can be programmed. When the clock has been enabled, the counter starts to count down at the tick rate starting from the reload value. If wake-up interrupts are enabled, the timer unit generates an interrupt when the timer value reaches 0x0000. When armed, the wake-up interrupt triggers a wake-up from sleep.

The reliable generation of wake-up interrupts requires the WUC timeout flag to be reset immediately after the reload value has been programmed. To do this, first write 1 and then write 0 to Register `tmr_ctrl`, Field `wake_timer_flag_reset`. To enable automatic wake-up from the sleep state, arm the timer unit for wake-up operation by writing 1 to Register `tmr_cfg1`, Field `wake_on_timeout`. After writing this sequence to the ADF7241, a sleep command can be issued.

Calibrating the RC oscillator

The RC oscillator is not automatically calibrated. If it is desired to use the RC oscillator as the clock source for the WUC, the host MCU should initiate a calibration. This can be performed at any time in advance of entering the sleep state. To perform a calibration, the host MCU should

- Set Register `tmr_ctrl`, Field `wuc_rc_osc_cal` = 0
- Set Register `tmr_ctrl`, Field `wuc_rc_osc_cal` = 1

The calibration time is typically 1 ms. When the calibration is complete Register `wuc_32khzosc_status`, Field `rc_osc_cal_ready` is high. Following calibration, the host MCU can transition to the `SLEEP_BBRAM_RCO` sleep state, by following the full procedure given in the WUC Configuration and Operation section.

TRANSMIT TEST MODES

The ADF7241 has various transmit test modes that can be used in SPORT mode. These test modes can be enabled by writing to Register `tx_test` (Location 0x3F0), as described in Table 24. A continuous packet transmission mode is also available in packet mode. This mode can be enabled using the following procedure:

1. An IEEE 80.215.4-2006 packet with random payload should be written to `TX_BUFFER` as described in the Transmitter section. It is recommended to use a packet with the maximum length of 127 bytes.
2. Set Register `buffercfg`, Field `trx_mac_delay` = 1.
3. Set Register `buffercfg`, Field `tx_buffer_mode` = 3.
4. Set Register `pkt_cfg`, Field `skip_synth_settle` = 1.
5. Issue Command `RC_TX`. The transmitter continuously transmits the packet stored in `TX_BUFFER`.
6. If Command `RC_PHY_RDY` is issued at any point after this step, all the preceding configuration registers must be rewritten to the device before reissuing Command `RC_TX`.

Note that the transmitter momentarily transmits an RF carrier between packets due to a finite delay from when the packet handler finishes transmitting a packet in `TX_BUFFER` and going back to transmit the start of `TX_BUFFER` again.

Table 24. 0x3F0: `tx_test`

| Bit | Name | R/W | Reset Value | Description |
|-------|---------------------------|-----|-------------|---|
| [7:2] | Reserved | R/W | 2 | Reserved, set to default. |
| 1 | <code>carrier_only</code> | R/W | 0 | Transmits unmodulated tone at the programmed frequency f_{CH} . |
| 0 | Reserved | R/W | 0 | Reserved, set to default. |

SERIAL PERIPHERAL INTERFACE (SPI)

GENERAL CHARACTERISTICS

The ADF7241 is equipped with a 4-wire SPI interface, using the SCLK, MISO, MOSI, and \overline{CS} pins. The ADF7241 always acts as a slave to the host MCU. Figure 51 shows an example connection diagram between the host MCU and the ADF7241. The diagram also shows the direction of the signal flow for each pin. The SPI interface is active and the MISO output enabled only while the \overline{CS} input is low. The interface uses a word length of eight bits, which is compatible with the SPI hardware of most microprocessors. The data transfer through the SPI interface occurs with the most significant bit of address and data first. Refer to Figure 3 for the SPI interface timing diagram. The MOSI input is sampled at the rising edge of SCLK. As commands or data are shifted in from the MOSI input at the SCLK rising edge, the status word or data is shifted out at the MISO pin synchronous with the SCLK clock falling edge. If \overline{CS} is brought low, the most significant bit of the status word appears on the MISO output without the need for a rising clock edge on the SCLK input.

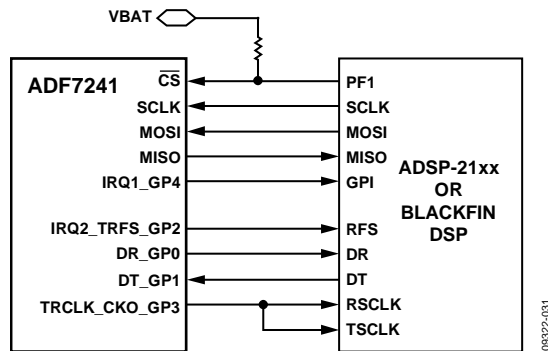


Figure 51. SPI Interface Connection

COMMAND ACCESS

The ADF7241 is controlled through commands. Command words are single-byte instructions that control the state transitions of the radio controller and access to the registers and packet RAM. The complete list of valid commands is given in Table 25. Commands with the RC prefix are handled by the radio controller, whereas memory access commands, which have the SPI prefix are handled by an independent controller. Thus, SPI commands can be issued independent of the state of the radio controller.

A command is initiated by bringing \overline{CS} low and shifting in the command word over the SPI as shown in Figure 52.

All commands are executed after \overline{CS} goes high again or at the next positive edge of the SCLK input. The latter condition occurs in the case of a memory access command. In this case, the command is executed on the positive SCLK clock edge corresponding to the most significant bit of the first parameter word. The \overline{CS} input must be brought high again after a command has been shifted into the ADF7241 to enable the recognition of successive command words. This is because a single command can be issued only during a \overline{CS} low period (with the exception of a double NOP command).

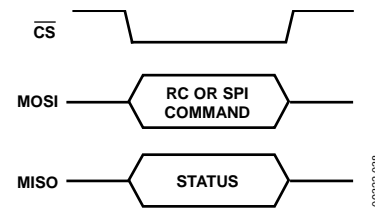


Figure 52. Command Write

The execution of certain commands by the radio controller may take several instruction cycles, during which the radio controller unit is busy. Prior to issuing a radio controller command, it is, therefore, necessary to read the status word to determine if the ADF7241 is ready to accept a new radio controller command. This is best accomplished by shifting in SPI_NOP commands, which cause status words to be shifted out. The RC_READY variable is used to indicate when the radio controller is ready to accept a new RC command, whereas the SPI_READY variable indicates when the memory can be accessed. To take the burden of repeatedly polling the status word off the host MCU for complex commands such as RC_RX, RX_TX, and RC_PHY_RDY, the IRQ handler can be configured to generate an RC_READY interrupt. See the Interrupt Controller section for details. Otherwise, the user can program timeout periods according to the command execution times provided under the state transition timing given in Table 10.

STATUS WORD

The status word of the ADF7241 is automatically returned over the MISO each time a byte is transferred over the MOSI. The meaning of the various status word bit fields is illustrated in Table 26. The RC_STATUS field reflects the current state of the radio controller. By definition, RC_STATUS reflects the state of a completed state transition. During the state transition, RC_STATUS maintains the value of the state from which the state transition was invoked.

ADF7241

Table 25. Command List

| Command | Code | Description |
|-------------|-----------------------------|---|
| SPI_NOP | 0xFF | No operation. Use for dummy writes. |
| SPI_PKT_WR | 0x10 | Write data to the packet RAM starting from the transmit packet base address pointer, Register txpb, Field tx_pkt_base (0x314[7:0]). |
| SPI_PKT_RD | 0x30 | Read data from the packet RAM starting from the receive packet base address pointer, Register rxpb, Field rx_pkt_base (0x315[7:0]). |
| SPI_MEM_WR | 0x18 + memory address[10:8] | Write data to MCR or packet RAM sequentially. |
| SPI_MEM_RD | 0x38 + memory address[10:8] | Read data from MCR or packet RAM sequentially. |
| SPI_MEMR_WR | 0x08 + memory address[10:8] | Write data to MCR or packet RAM as a random block. |
| SPI_MEMR_RD | 0x28 + memory address[10:8] | Read data from MCR or packet RAM as a random block. |
| SPI_PRAM_WR | 0x1E | Write data to the program RAM. |
| RC_SLEEP | 0xB1 | Invoke transition of the radio controller into the sleep state |
| RC_IDLE | 0xB2 | Invoke transition of the radio controller into the idle state |
| RC_PHY_RDY | 0xB3 | Invoke transition of the radio controller into the PHY_RDY state |
| RC_RX | 0xB4 | Invoke transition of the radio controller into the RX state |
| RC_TX | 0xB5 | Invoke transition of the radio controller into the TX state |
| RC_MEAS | 0xB6 | Invoke transition of the radio controller into the MEAS state |
| RC_CCA | 0xB7 | Invoke clear channel assessment |
| RC_PC_RESET | 0xC7 | Program counter reset. This should only be used after a firmware download to the program RAM |
| RC_RESET | 0xC8 | Resets the ADF7241 and puts it in the sleep state |

Table 26. SPI Status Word

| Bit | Name | Description |
|-------|------------|--|
| 7 | SPI_READY | 0: SPI is not ready for access. 1: SPI is ready for access. |
| 6 | IRQ_STATUS | 0: no pending interrupt condition. 1: pending interrupt condition. (IRQ_STATUS = 1 when either the IRQ1_GP4 or IRQ2_TRFS_GP2 pin is high) |
| 5 | RC_READY | 0: radio controller is not ready to accept RC_xx command strobe. 1: radio controller is ready to accept new RC_xx command strobe. |
| 4 | CCA_RESULT | 0: channel busy. 1: channel idle. Valid when Register irq_src1, Bit cca_complete (0x3CC[0]) is asserted. |
| [3:0] | RC_STATUS | Radio controller status: 0: reserved. 1: idle. 2: MEAS. 3: PHY_RDY. 4: RX. 5: TX. 6 to 15: reserved. |

MEMORY MAP

The various memory locations used by the ADF7241 are shown in Figure 53. The radio control and packet management of the part are realized through the use of an 8-bit, custom processor, and an embedded ROM. The processor executes instructions stored in the embedded program ROM. There is also a local RAM, subdivided into three sections, that is used as a data packet buffer, both for transmitted and received data (packet RAM), and for storing the radio and packet management configuration (BBRAM and MCR). The RAM addresses of these variables are 11 bits in length.

BBRAM

The 64-byte battery back-up, or BBRAM, is used to maintain settings needed at wake-up from sleep state by the wake-up controller.

MODEM CONFIGURATION RAM (MCR)

The 256-byte modem configuration RAM, or MCR, contains the various registers used for direct control or observation of the physical layer radio blocks of the ADF7241. Contents of the MCR are not retained in the sleep state.

PROGRAM ROM

The program ROM consists of 4 kB of nonvolatile memory. It contains the firmware code for radio control, packet management, and smart wake mode.

PROGRAM RAM

The program RAM consists of 2 kB of volatile memory. This memory space is used for various software modules, such as address filtering and CSMA/CA, which are available from Analog Devices. The software modules are downloaded to the program RAM memory space over the SPI by the host microprocessor. See the Program RAM Write subsection of the Memory Access section for details on how to write to the program RAM.

PACKET RAM

The packet RAM consists of 256 bytes of memory space from Address 0x000 to Address 0x0FF, as shown in Figure 53. This memory is allocated for storage of data from valid received packets and packet data to be transmitted. The packet manager stores received payload data at the memory location indicated by the value of Register rxpb, Field rx_pkt_base, the receive address pointer. The value of Register txpb, Field tx_pkt_base, the transmit address pointer, determines the start address of data to be transmitted by the packet manager. This memory can be arbitrarily assigned to store single or multiple transmit or receive packets, both with and without overlap as shown in Figure 54. The rx_pkt_base value should be chosen to ensure that there is enough allocated packet RAM space for the maximum receiver payload length.

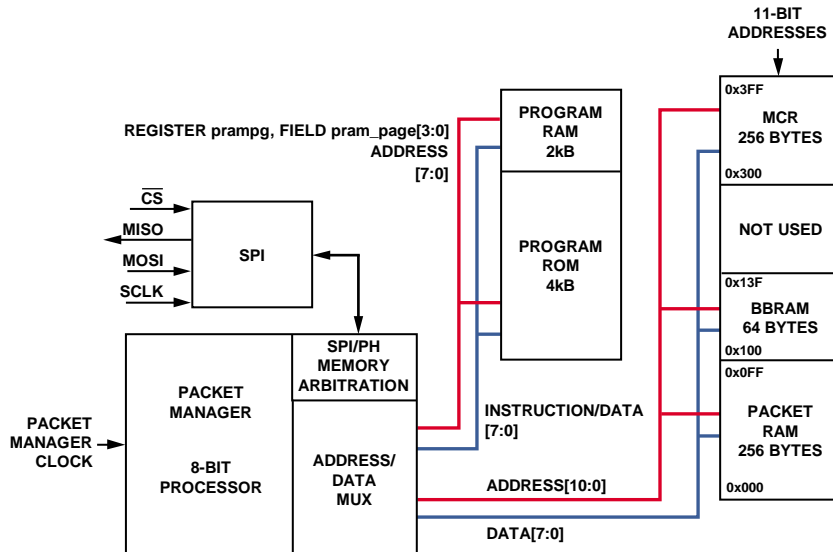


Figure 53. ADF7241 Memory Map

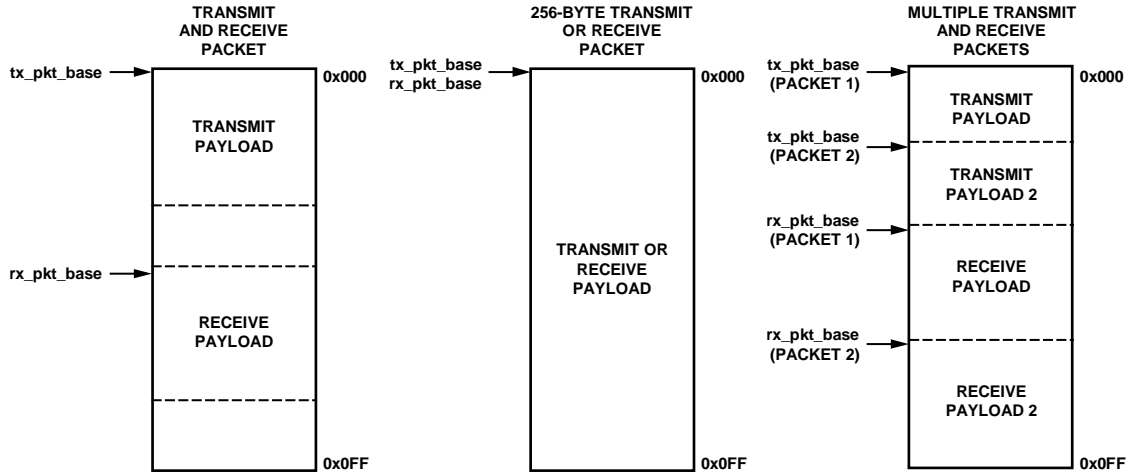


Figure 54. Example Packet RAM Configurations Using the Transmit Packet and Receive Packet Address Pointers

09322-071

MEMORY ACCESS

Memory locations are accessed by invoking the relevant SPI command. An 11-bit address is used to identify registers or locations in the memory space. The most significant three bits of the address are incorporated into the command by appending them as the LSBs of the command word. Figure 55 illustrates the command, address, and data partitioning. The various SPI memory access commands are different depending on the memory location being accessed. This is described in Table 27.

An SPI command should be issued only if the SPI_READY bit of the status word is high.

In addition, an SPI command should not be issued while the radio controller is initializing. SPI commands can be issued in any radio controller state including during state transition.

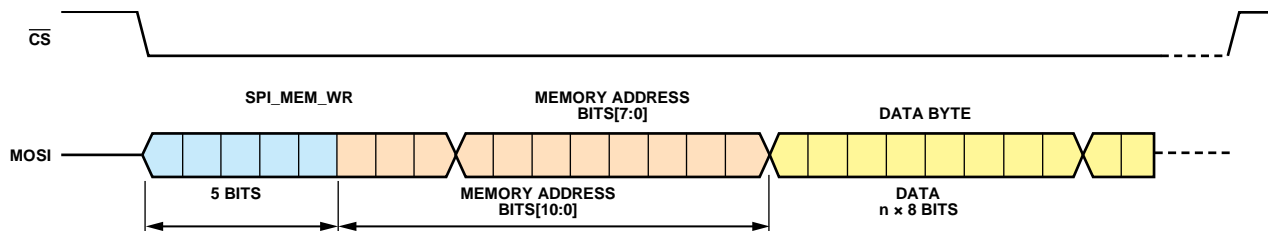


Figure 55. SPI Memory Access Command/Address Format

Table 27. Summary of SPI Memory Access Commands

| SPI Command | Command Value | Description |
|-------------|---|---|
| SPI_PKT_WR | = 0x10 | Write telegram to the packet RAM starting from the transmit packet base address pointer, Register txpb, Field tx_pkt_base (0x314[7:0]). |
| SPI_PKT_RD | = 0x30 | Read telegram from the packet RAM starting from receive packet base address pointer, Register rxpb, Field rx_pkt_base (0x315[7:0]). |
| SPI_MEM_WR | = 0x18 (packet RAM) = 0x19 (BBRAM) = 0x1B (MCR) | Write data to BBRAM, MCR, or packet RAM sequentially. An 11-bit address is used to identify memory locations. The most significant three bits of the address are incorporated into the command (xxx). This command is followed by the remaining eight bits of the address. |
| SPI_MEM_RD | = 0x38 (packet RAM) = 0x39 (BBRAM) = 0x3B (MCR) | Read data from BBRAM, MCR, or packet RAM sequentially. An 11-bit address is used to identify memory locations. The most significant three bits of the address are incorporated into the command (xxx). This command is followed by the remaining eight bits of the address, which is subsequently followed by the appropriate number of SPI_NOP commands. |
| SPI_MEMR_WR | = 0x08 (packet RAM) = 0x09 (BBRAM) = 0x0B (MCR) | Write data to BBRAM/MCR or packet RAM at random. |
| SPI_MEMR_RD | = 0x28 (packet RAM) = 0x29 (BBRAM) = 0x2B (MCR) | Read data from BBRAM/MCR or packet RAM at random. |
| SPI_PRAM_WR | = 0x1E (program RAM) | Write data to program RAM. |
| SPI_PRAM_RD | = 0x3E (program RAM) | Read data from program RAM |
| SPI_NOP | = 0xFF | No operation. Use for dummy writes when polling the status word and used as dummy data on the MOSI line when performing a memory read. |

WRITING TO THE ADF7241

Block Write

Packet RAM memory locations can be written to in block format using the SPI_PKT_WR. The SPI_PKT_WR command is 0x10. This command provides pointer-based write access to the packet RAM. The address of the location written to is calculated from the base address in Register txpb, Field tx_pkt_base (0x314[7:0]), plus an index. The index is zero for the first data word following the command word and is auto-incremented for each consecutive data word written. The first data word following an SPI_PKT_WR command is, thus, stored in the location with Address txpb, Field tx_pkt_base (0x314[7:0]), the second in packet RAM location with Address txpb, Field tx_pkt_base + 1, and so on. This feature makes this command efficient for bulk writes of data that recurrently begin at the same address. Figure 56 shows the access sequence for Command SPI_PKT_WR.

The MCR, BBRAM, and packet RAM memory locations can be written to in block format using the SPI_MEM_WR command. The SPI_MEM_WR command code is 00011xxx, where xxx represent Bits[10:8] of the first 11-bit address. If more than one data byte is written, the write address is automatically incremented for every byte sent until \overline{CS} is set high, which terminates the memory access command. See Figure 57 for more details. The maximum block write for the MCR, packet RAM, and BBRAM memories are 256 bytes, 256 bytes, and 64 bytes, respectively. These maximum block-write lengths should not be exceeded.

Example

Write 0x00 to the rc_cfg register (Location 0x13E).

- The first five bits of the SPI_MEM_WR command are 00011.
- The 11-bit address of rc_cfg is 00100111110.
- The first byte sent is 00011001 or 0x19.
- The second byte sent is 00111110 or 0x3E.
- The third byte sent is 0x00.

Thus, 0x193F00 is written to the part.

Random Address Write

MCR, BBRAM, and packet RAM memory locations can be written to in random address format using the SPI_MEMR_WR command. The SPI_MEMR_WR command code is 00001xxx, where xxx represent Bits[10:8] of the 11-bit address. The lower eight bits of the address should follow this command and then the data byte to be written to the address. The lower eight bits of the next address are entered followed by the data for that address until all required addresses within that block are written, as shown in Figure 58. Note that the SPI_MEMR_WR command facilitates the modification of individual elements of a packet in RX_BUFFER and TX_BUFFER without the need to download and upload an entire packet.

The address location of a particular byte in RX_BUFFER and TX_BUFFER in the packet RAM is determined by adding the

relative location of a byte to Address Pointer rx_pkt_base (Register rxpb; 0x315[7:0]) or Address Pointer tx_pkt_base (Register txpb; 0x314[7:0]), respectively.

Program RAM Write

The program RAM can only be written to using the memory block write, as illustrated in Figure 59. The SPI_PRAM_WR command is 0x1E. The program RAM is organized in eight pages with a length of 256 bytes each. The code module must be stored in the program RAM starting from Address 0x0000, or Address 0x00 in Page 0. The current program RAM page is selected with Register prampg, Field pram_page (0x313[3:0]). Prior to uploading the program RAM, the radio controller code module must be divided into blocks of 256 bytes commensurate with the size of the program RAM pages. Each 256-byte block is uploaded into the currently selected program RAM page using the SPI_PRAM_WR command. Figure 59 illustrates the sequence required for uploading a code block of 256 bytes to a PRAM page. The SPI_PRAM_WR command code is followed by Address Byte 0x00 to align the code block with the base address of the program RAM page. Figure 60 shows the overall upload sequence. With the exception of the last page written to the program RAM, all pages must be filled with 256 bytes of module code.

READING FROM THE ADF7241

Block Read

Command SPI_PKT_RD provides pointer-based read access from the packet RAM. The SPI_PKT_RD command is 0x30. The address of the location to be read is calculated from the base address in Register rxpb, Field rx_pkt_base, plus an index. The index is zero for the first readback word. It is auto-incremented for each consecutive SPI_NOP command. The first data byte following a SPI_PKT_RD command is invalid and should be ignored. Figure 61 shows the access sequence for Command SPI_PKT_RD.

The SPI_MEM_RD command can be used to perform a block read of MCR, BBRAM, and packet RAM memory locations. The SPI_MEM_RD command code is 00111xxx, where xxx represent Bits[10:8] of the first 11-bit address. This command is followed by the remaining eight bits of the address to be read and then two SPI_NOP commands (dummy byte). The first byte available after writing the address should be ignored, with the second byte constituting valid data. If more than one data byte is to be read, the read address is automatically incremented for subsequent SPI_NOP commands sent. See Figure 62 for more details.

Random Address Read

MCR, BBRAM, and Packet RAM memory locations can be read from in a nonsequential manner using the SPI_MEMR_RD command. The SPI_MEMR_RD command code is 00101xxx, where xxx represent Bits[10:8] of the 11-bit address. This command is followed by the remaining eight bits of the address to be written and then two SPI_NOP commands (dummy byte).

The data byte from memory is available on the second SPI_NOP command. For each subsequent read, an 8-bit address should be followed by two SPI_NOP commands as shown in Figure 63.

Example

Read the value stored in the rc_cfg register.

- The first five bits of the SPI_MEM_RD command are 00111.
- The 11-bit address of rc_cfg register is 00100111111.
- The first byte sent is 00111001, or 0x39.
- The second byte sent is 00111110, or 0x3E.
- The third byte sent is 0xFF (SPI_NOP).
- The fourth byte sent is 0xFF.

Thus, 0x393EFFFF is written to the part.

The value shifted out on the MISO line while the fourth byte is sent is the value stored in the rc_cfg register.

This allows individual elements of a packet in RX_BUFFER and TX_BUFFER to be read without the need to download the entire packet.

Program RAM Read

The SPI_PRAM_RD command is used to read from the program RAM. This may be performed to verify that a firmware module has been correctly written to the program RAM. Like the SPI_PRAM_WR command, the host MCU must select the program RAM page to read via Register prampg, Field pram_page. Following this, the host MCU may use the SPI_PRAM_RD command to block read the selected program RAM page. The structure of this command is identical to the SPI_MEM_RD command.

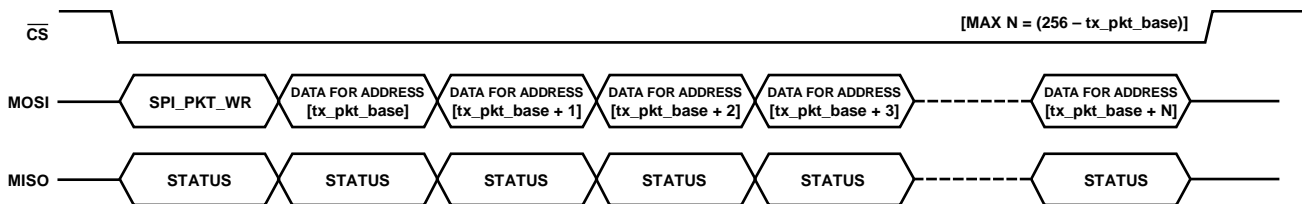


Figure 56. Packet RAM Write
(tx_pkt_base is the address base pointer value for TX, which is programmed in Register txbp, Bit tx_pkt_base.)

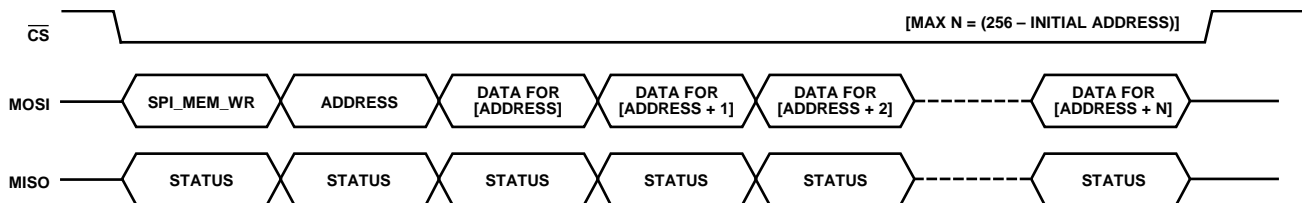


Figure 57. Memory (Register or Packet RAM) Block Write

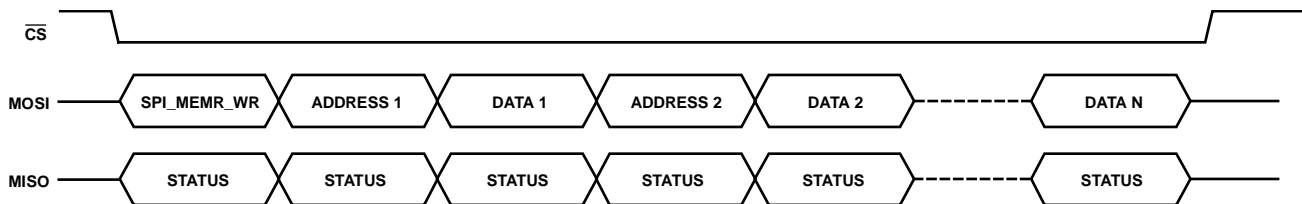


Figure 58. Memory (Register or Packet RAM) Random Address Write

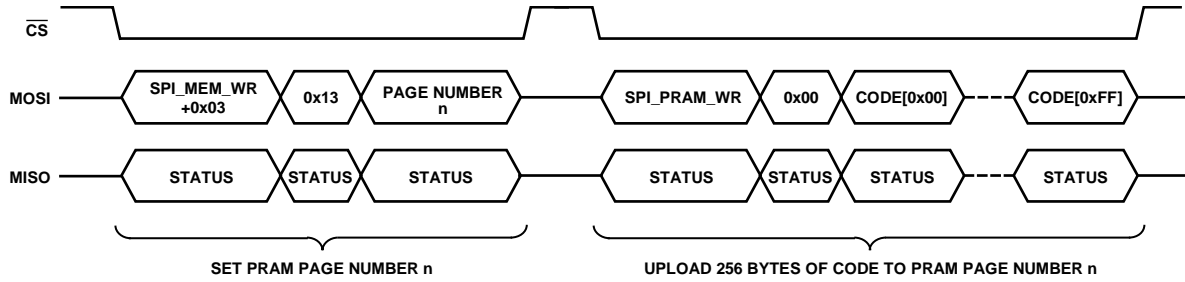


Figure 59. Upload Sequence for a Program RAM Page

09322-073



Figure 60. Download Sequence for Code Module

09322-074

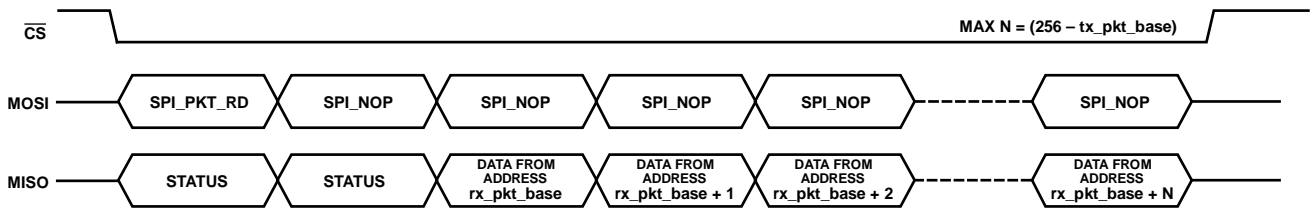


Figure 61. Packet RAM Read
(*rx_pkt_base* is the address base pointer value for RX, which is programmed in Register *rxbp*, Bit *rx_pkt_base*.)

09322-035

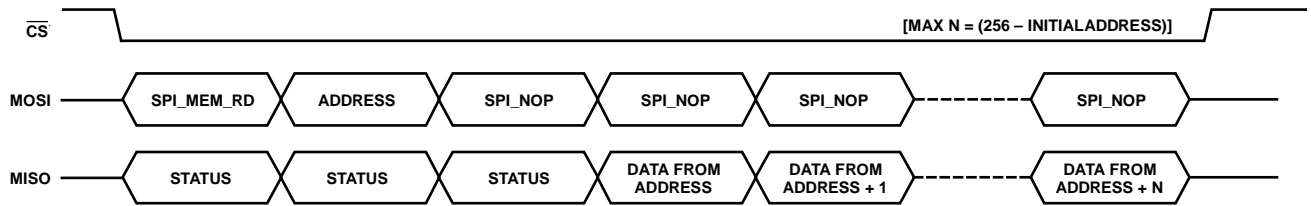


Figure 62. Memory (Register or Packet RAM) Block Read

09322-034

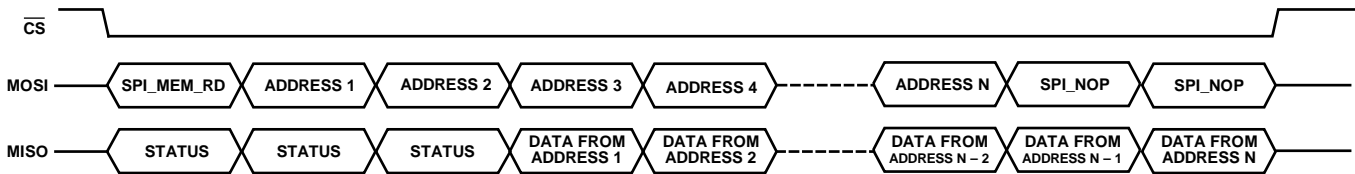


Figure 63. Memory (Register or Packet RAM) Random Address Read

09322-037

DOWNLOADABLE FIRMWARE MODULES

The program RAM of the ADF7241 can be used to store firmware modules for the on-chip processor that provide extra functionality. The executable code for these firmware modules

and details on their functionality are available from Analog Devices. See the Writing to the ADF7241 section for details on how to download these firmware modules to program RAM.

INTERRUPT CONTROLLER

CONFIGURATION

The ADF7241 is equipped with an interrupt controller that is capable of handling up to 16 independent interrupt events. The interrupt events can be triggered either by hardware circuits or the packet manager and are captured in Register `irq_src0` (0x3CB) and Register `irq_src1` (0x3CC).

The interrupt signals are available on two interrupt pins: `IRQ1_GP4` and `IRQ2_TRFS_GP2`. Each of the 16 interrupt sources can be individually enabled or disabled. The `irq1_en0` (0x3C7) and `irq1_en1` (0x3C8) registers control the functionality of the `IRQ1_GP4` interrupt pin. The `irq2_en0` (0x3C9) and `irq2_en1` (0x3CA) registers control the functionality of the `IRQ2_TRFS_GP2` interrupt pin. Refer to Table 28 and Table 29 for details on which bits in the relevant interrupt source and interrupt enable registers correspond to the different interrupts.

The `IRQ_STATUS` bit of the SPI status word, is asserted if an interrupt is present on either `IRQ1` or `IRQ2`. This is useful for host MCUs that may not have interrupt pins available.

The `irq_src1` and `irq_src0` registers can be read back to establish the source of an interrupt. An interrupt is cleared by writing 1 to the corresponding bit location in the appropriate interrupt source register (`irq_src1` or `irq_src0`). If 0 is written to a bit location in the interrupt source registers, its state remains unchanged. This scheme allows interrupts to be cleared individually and facilitates hierarchical interrupt processing.

The availability of two interrupt outputs permits a flexible allocation of interrupt source to two different MCU hardware

resources. For instance, an `rx_sfd` interrupt can be associated with a timer-capture unit of the MCU, while all other interrupts are handled by a normal interrupt handling routine. When operating in `SPORT` mode, Pin `IRQ2_TRFS_GP2` acts as a frame synchronization signal and is disconnected from the interrupt controller.

When in the sleep state, the `IRQ1_GP4` and `IRQ2_TRFS_GP2` pins have high impedance.

When not in the sleep state, Pin `IRQ1_GP4` and Pin `IRQ2_TRFS_GP2` are configured as push-pull outputs, using positive logic polarity.

Following a power-on reset or wake-up from sleep, Register `irq1_en0`, Field `powerup` and Register `irq2_en0`, Field `powerup` are set, while all other bits in the `irq1_en0`, `irq1_en1`, `irq2_en0`, and `irq2_en1` registers are reset. Therefore, a power-up interrupt signal is asserted on the `IRQ1_GP4` and `IRQ2_TRFS_GP2` pins after a power-on-reset event or wake-up from the sleep state. Provided the wake-up from sleep event is caused by the wake-up timer, the power-up interrupt signal can be used to power up the host MCU.

After the ADF7241 is powered up, the `rc_ready`, wake-up, and power-on reset interrupts are also asserted in the `irq_src0` register. However, these interrupts are not propagated to the `IRQ1_GP4` and `IRQ2_TRFS_GP2` pins because the corresponding mask bits are reset. The `irq_src0` and `irq_src1` registers should be cleared during the initialization phase.

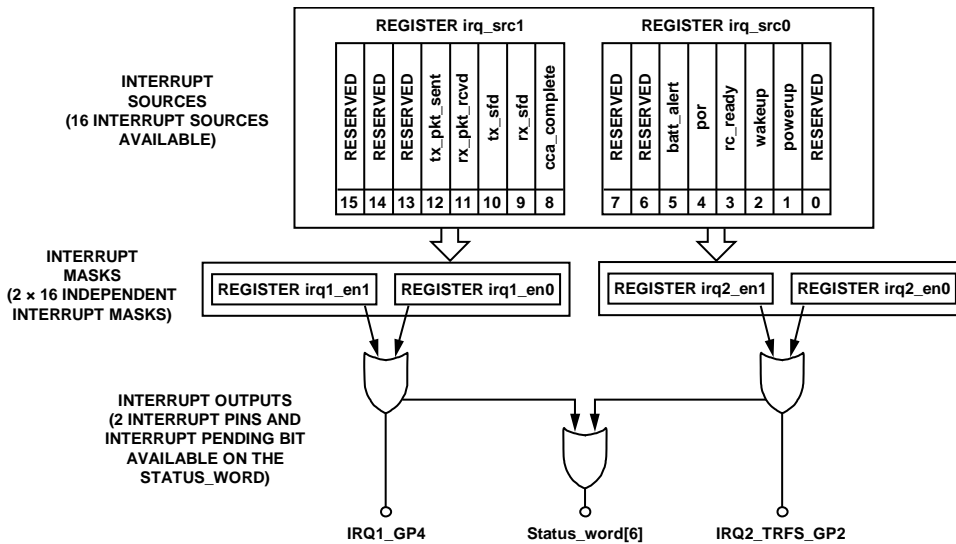


Figure 64. Interrupt Controller

09322-094

Table 28. Bit Locations in the Interrupt Source Register irq_src1, with Corresponding Interrupt Enables in irq1_en1, irq2_en1

| Bit | Name | Notes |
|-----|--------------|-------------------------------------|
| 7 | Reserved | Don't care; set mask to 0. |
| 6 | Reserved | Don't care; set mask to 0. |
| 5 | Reserved | Don't care; set mask to 0. |
| 4 | tx_pkt_sent | TX packet transmission complete. |
| 3 | rx_pkt_rcvd | Packet received in RX_BUFFER. |
| 2 | tx_sfd | SFD has been transmitted. |
| 1 | rx_sfd | SFD has been detected. |
| 0 | cca_complete | CCA_RESULT in status word is valid. |

Table 29. Bit Locations in the Interrupt Source Register irq_src0, with Corresponding Interrupt Enables in irq1_en0, irq2_en0

| Bit | Name | Notes |
|-----|------------|---|
| 7 | Reserved | Don't care; set mask to 0. |
| 6 | Reserved | Don't care; set mask to 0. |
| 5 | batt_alert | Battery voltage has dropped below programmed threshold value. |
| 4 | por | Power-on reset event. |
| 3 | rc_ready | Radio controller ready to accept new command. |
| 2 | wakeup | Timer has timed out. |
| 1 | powerup | Chip is ready for access. |
| 0 | Reserved | Don't care; set mask to 0. |

DESCRIPTION OF INTERRUPT SOURCES

tx_pkt_sent

This interrupt is asserted when in IEEE 802.15.4-2006 packet mode and the transmission of a packet in TX_BUFFER is complete.

rx_pkt_rcvd

This interrupt is asserted when in IEEE 802.15.4-2006 packet mode and a packet with a valid FCS has been received and is available in RX_BUFFER.

tx_sfd

This interrupt is asserted if the SFD is transmitted when in IEEE 802.15.4-2006 packet mode.

rx_sfd

This interrupt is asserted if a SFD is detected while in the RX state in either IEEE 802.15.4 mode.

cca_complete

The interrupt is asserted at the end of a CCA measurement following a RC_RX or RC_CCA command. The interrupt indicates that the CCA_RESULT flag in the status word is valid.

batt_alert

The interrupt is asserted if the battery monitor signals a battery alarm. This occurs when the battery voltage drops below the programmed threshold value. The battery monitor must be enabled and configured. See the Battery Monitor section for further details.

rc_ready

The interrupt is asserted if the radio controller is ready to accept a new command. This condition is equivalent to the rising edge of the RC_READY flag in the status word.

wakeup

The interrupt is asserted if the WUC timer has decremented to zero. Prior to enabling this interrupt, the WUC timer unit must be configured with the tmr_cfg0, tmr_cfg1, tmr_rld0, and tmr_rld1 registers. A wake-up interrupt can be asserted while the ADF7241 is active or has woken up from the sleep state through a timeout event. See the Wake-Up Controller (WUC) section or further details.

powerup

The interrupt is asserted if the ADF7241 is ready for SPI access following a wake-up from the sleep state. This condition reflects a rising edge of the flag SPI_READY in the status word. If the ADF7241 has been woken up from the sleep state using the CS input, this interrupt is useful to detect that the ADF7241 has powered up without the need to poll the MISO output. Register irq1_mask, Field powerup and Register irq2_mask, Field powerup are automatically set on exit from the sleep state. Therefore, this interrupt is generated when a transition from sleep is triggered by CS being pulled low or by a timeout event.

APPLICATIONS CIRCUITS

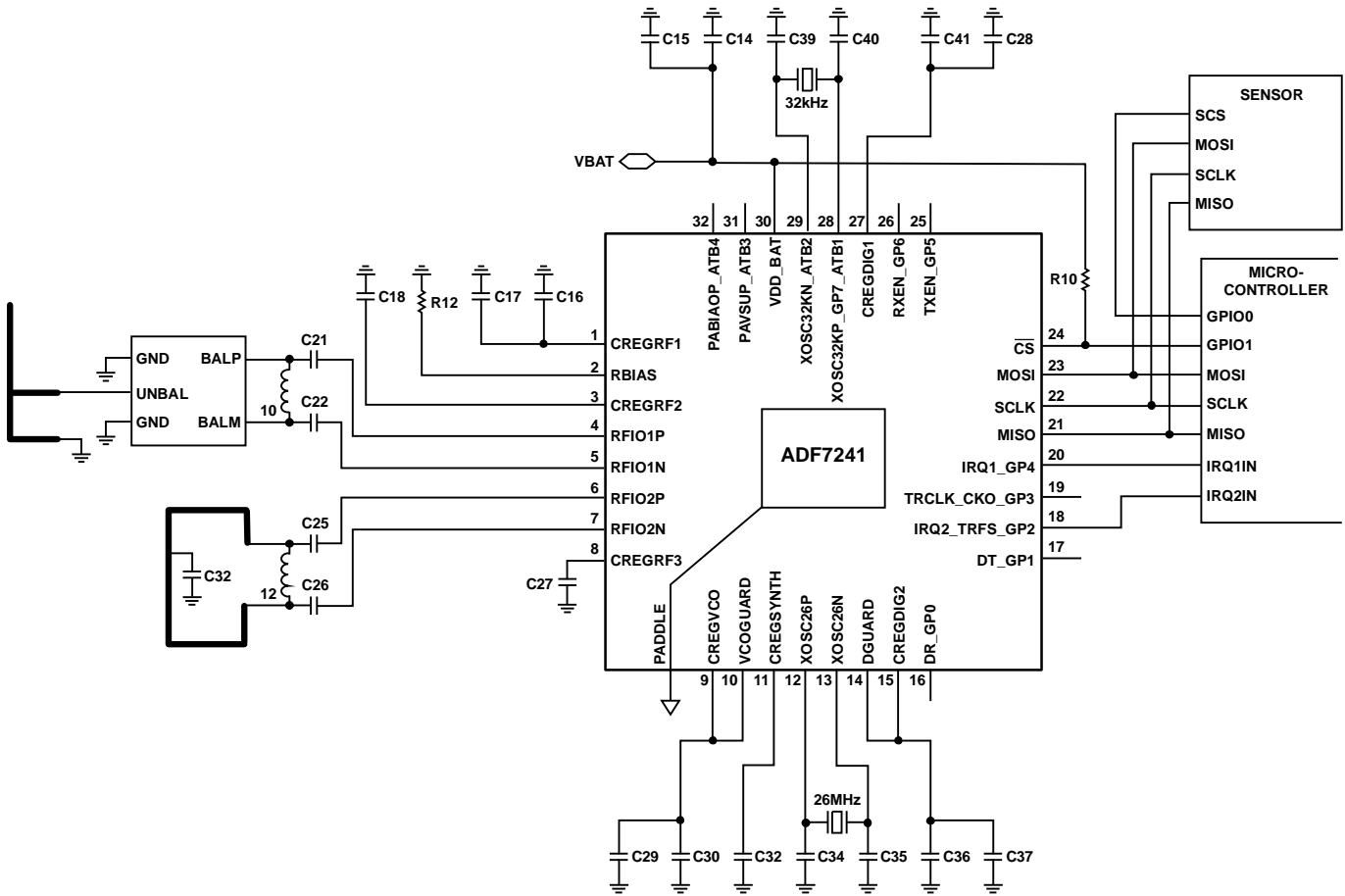


Figure 65. Typical ADF7241 Application Circuit Using Antenna Diversity

08322-044

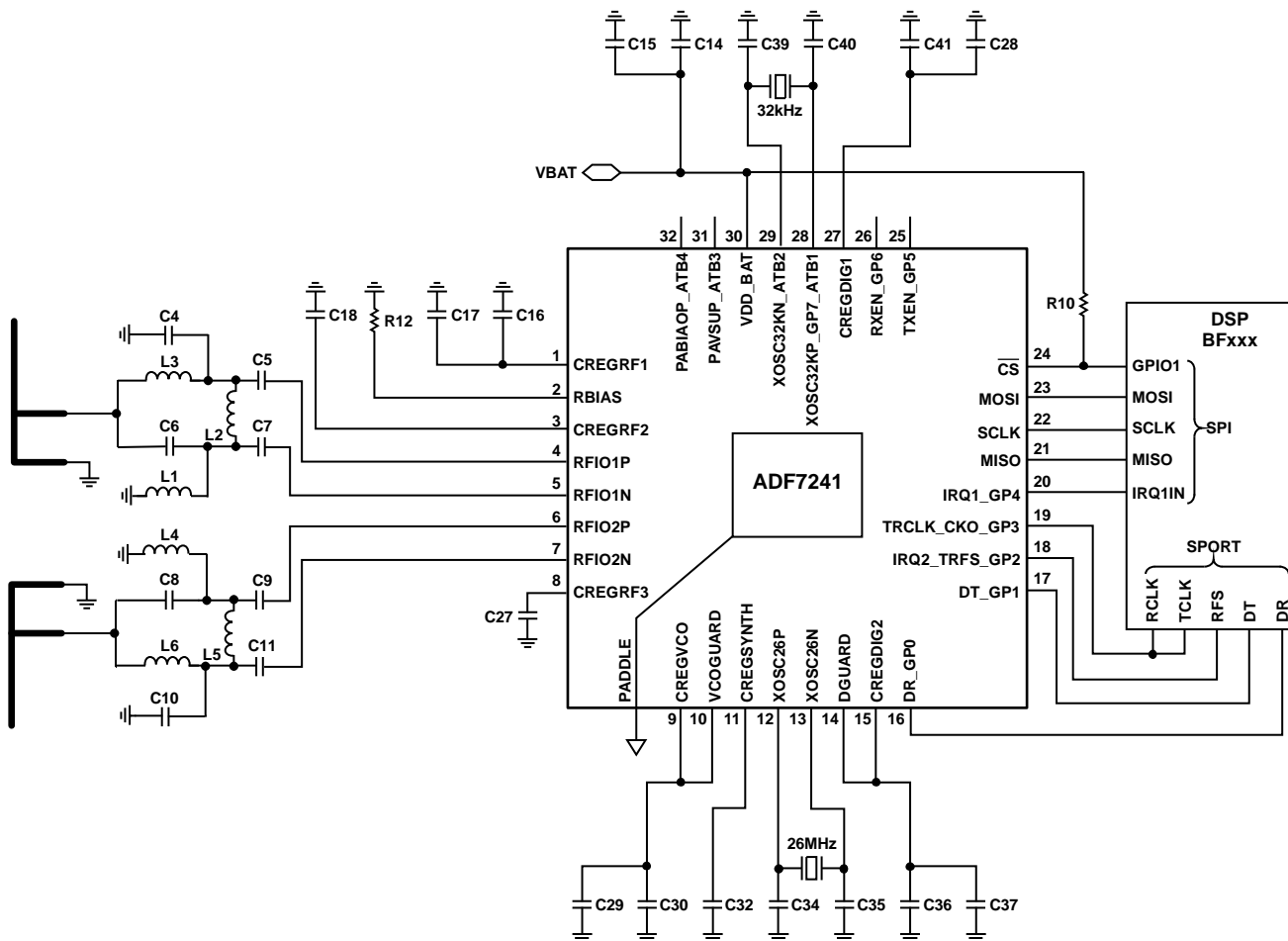


Figure 66. Typical ADF7241 Application Circuit with DSP Using Antenna Diversity

09322-045

ADF7241

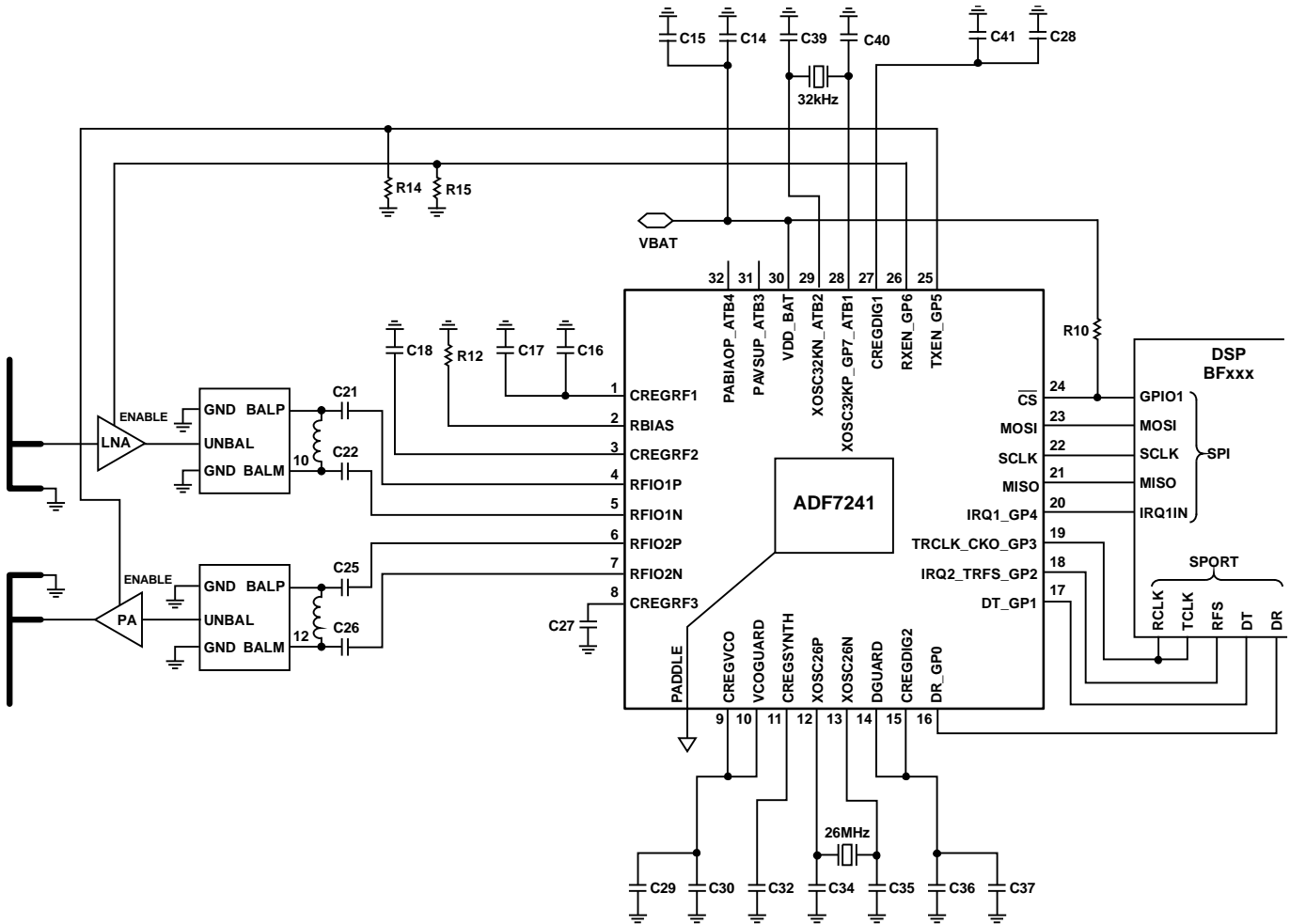


Figure 67. Typical ADF7241 Application Circuit with External LNA and External PA

08322-075

09322-076

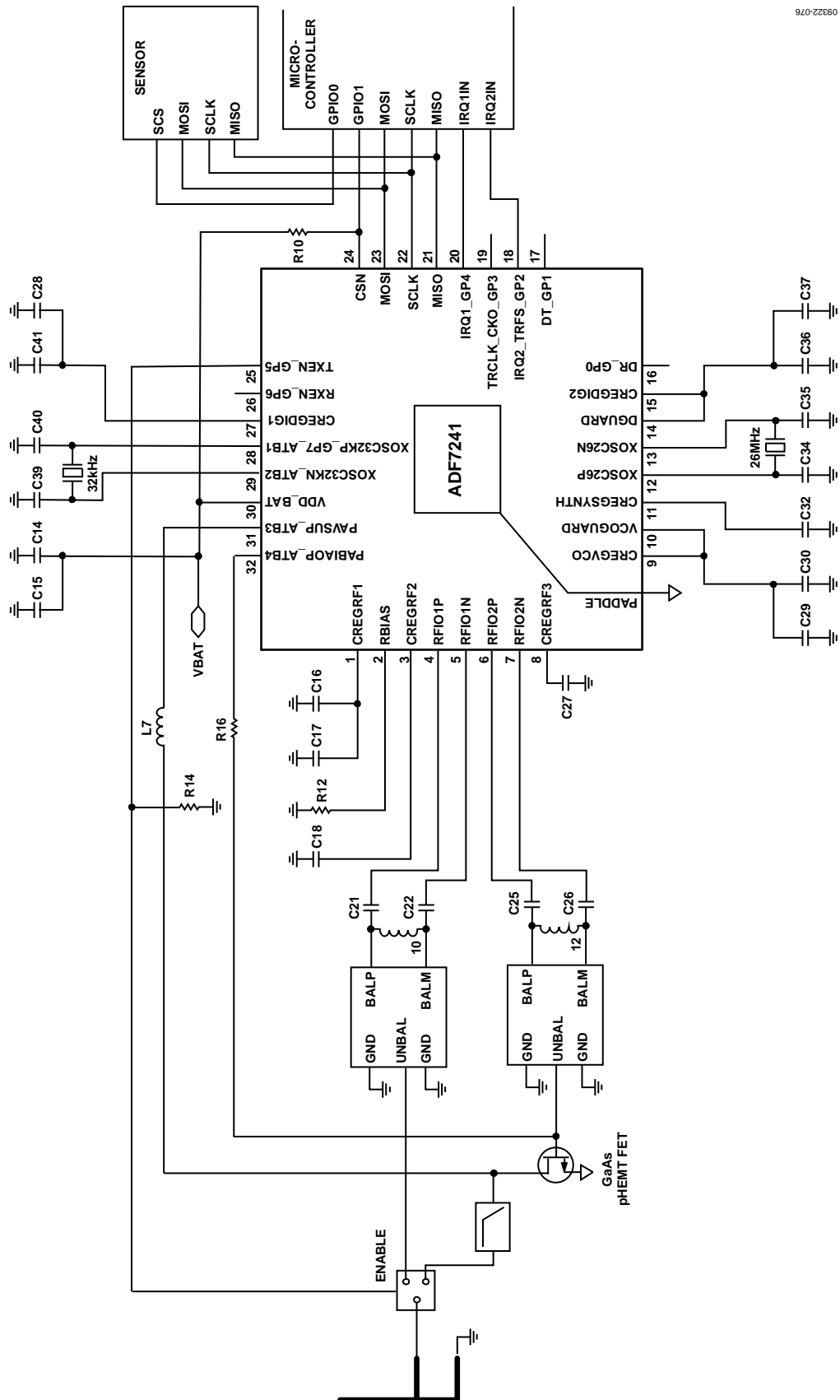


Figure 68. Typical ADF7241 Application Circuit with Discrete External PA

REGISTER MAP

It is recommended that configuration registers be programmed in the idle state. Note that all registers that include fields that are denoted as RC_CONTROLLED must be programmed in the idle state only.

Reset values are shown in decimal notation.

Table 30. Register Map Overview

| Address | Register Name | Access Mode | Description |
|---------|---------------------|-------------|--|
| 0x100 | ext_ctrl | R/W | External LNA/PA and internal PA control configuration bits |
| 0x105 | cca1 | R/W | RSSI threshold for CCA |
| 0x106 | cca2 | R/W | CCA mode configuration |
| 0x107 | buffercfg | R/W | RX and TX buffer configuration |
| 0x108 | pkt_cfg | R/W | Firmware download module enable and FCS control |
| 0x109 | delaycfg0 | R/W | RC_RX command to SFD search delay |
| 0x10A | delaycfg1 | R/W | RC_TX command to TX state delay |
| 0x10B | delaycfg2 | R/W | MAC delay extension |
| 0x13E | rc_cfg | R/W | Packet/SPORT mode configuration |
| 0x300 | ch_freq0 | R/W | Channel frequency settings—low byte |
| 0x301 | ch_freq1 | R/W | Channel frequency settings—middle byte |
| 0x302 | ch_freq2 | R/W | Channel frequency settings—two MSBs |
| 0x306 | tx_m | R/W | Preemphasis filter configuration |
| 0x30C | rrb | R | RSSI readback register |
| 0x30D | lrb | R | Signal quality indicator quality readback register |
| 0x313 | prampg | R/W | PRAM page |
| 0x314 | txpb | R/W | Transmit packet storage base address |
| 0x315 | rxpb | R/W | Receive packet storage base address |
| 0x316 | tmr_cfg0 | R/W | Wake-up timer configuration register—high byte |
| 0x317 | tmr_cfg1 | R/W | Wake-up timer configuration register—low byte |
| 0x318 | tmr_rld0 | R/W | Wake-up timer value register—high byte |
| 0x319 | tmr_rld1 | R/W | Wake-up timer value register—low byte |
| 0x31A | tmr_ctrl | R/W | Wake-up timer timeout flag configuration register |
| 0x31B | wuc_32khzosc_status | R | 32 kHz oscillator/WUC status |
| 0x31E | pd_aux | R/W | Battery monitor and external PA bias enable |
| 0x32C | gp_cfg | R/W | GPIO configuration |
| 0x32D | gp_out | R/W | GPIO configuration |
| 0x33D | rc_cal_cfg | R/W | RC calibration setting |
| 0x353 | vco_band_ovrw | R/W | Overwrite value for the VCO frequency band |
| 0x354 | vco_idac_ovrw | R/W | Overwrite value for the VCO bias current DAC |
| 0x355 | vco_ovwr_cfg | R/W | VCO calibration settings overwrite enable |
| 0x36E | pa_bias | R/W | PA bias control |
| 0x36F | vco_cal_cfg | R/W | VCO calibration parameters |
| 0x371 | xto26_trim_cal | R/W | 26 MHz crystal oscillator configuration |
| 0x380 | vco_band_rb | R | Readback VCO band after calibration |
| 0x381 | vco_idac_rb | R | Readback of the VCO bias current DAC after calibration |
| 0x395 | rxcal0 | R/W | Receiver baseband filter calibration word, LSB |
| 0x396 | rxcal1 | R/W | Receiver baseband filter calibration word, MSB |
| 0x39B | rxfe_cfg | R/W | Receive baseband filter bandwidth and LNA selection |
| 0x3A7 | pa_rr | R/W | PA ramp rate |
| 0x3A8 | pa_cfg | R/W | PA output stage current control |
| 0x3A9 | extpa_cfg | R/W | External PA bias DAC configuration |
| 0x3AA | extpa_msc | R/W | External PA interface circuit configuration |
| 0x3AE | adc_rbk | R | ADC readback |
| 0x3B9 | agc_cfg5 | R/W | AGC configuration parameters |
| 0x3C7 | irq1_en0 | R/W | Interrupt Mask Set Bits[7:0] of Bits[15:0] for IRQ1 |

| Address | Register Name | Access Mode | Description |
|---------|---------------|-------------|--|
| 0x3C8 | irq1_en1 | R/W | Interrupt Mask Set Bits[15:8] of [15:0] for IRQ1 |
| 0x3C9 | irq2_en0 | R/W | Interrupt Mask Set Bits[7:0] of [15:0] for IRQ2 |
| 0x3CA | irq2_en1 | R/W | Interrupt Mask Set Bits[15:8] of [15:0] for IRQ2 |
| 0x3CB | irq_src0 | R/W | Interrupt Source Bits[7:0] of [15:0] for IRQ |
| 0x3CC | irq_src1 | R/W | Interrupt Source Bits[15:8] of [15:0] for IRQ |
| 0x3E3 | gp_drv | R/W | GPIO and SPI I/O pads drive strength configuration |
| 0x3E6 | bm_cfg | R/W | Battery monitor threshold voltage setting |
| 0x3F0 | tx_test | R/W | TX test mode configuration |
| 0x3F4 | sfd_15_4 | R/W | Option to set nonstandard SFD |

Table 31. 0x100: ext_ctrl

| Bit | Field Name | R/W | Reset Value | Description |
|-------|------------------|-----|-------------|--|
| [7] | pa_shutdown_mode | R/W | 0 | PA shutdown mode. 0: fast ramp-down. 1: user defined ramp-down. |
| [6:5] | Reserved | R/W | 0 | Reserved, set to default. |
| 4 | rxen_en | R/W | 0 | 1: RXEN_GP6 is set high while in the RX state; otherwise, it is low. 0: RXEN_GP6 is under user control (refer to Register gp_out); refer to Register gp_cfg for restrictions |
| 3 | txen_en | R/W | 0 | 1: TXEN_GP5 is set high while in the TX state; otherwise, it is low. 0: TXEN_GP5 is under user control (refer to Register gp_out); refer to Register gp_cfg for restrictions. |
| 2 | extpa_auto_en | R/W | 0 | 1: RC enables external PA controller while in the TX state. 0: Register pd_aux, Bit extpa_bias_en (0x31E[4]) is under user control. |
| [1:0] | Reserved | R/W | 0 | Reserved, set to default. |

Table 32. 0x105: cca1

| Bit | Field Name | R/W | Reset Value | Description |
|-------|------------|-----|-------------|--|
| [7:0] | cca_thres | R/W | 171 | RSSI threshold for CCA. Signed twos complement notation (in dBm). When CCA is completed: Status Word CCA_RESULT = 1 if Register rrb, Bit rssi_readback (0x30C[7:0]) < cca_thres Status Word CCA_RESULT = 0 if Register rrb, Bit rssi_readback (0x30C[7:0]) ≥ cca_thres |

Table 33. 0x106: cca2

| Bit | Field Name | R/W | Reset Value | Description |
|-------|----------------|-----|-------------|--|
| [7:3] | Reserved | R/W | 0 | Reserved, set to default. |
| 2 | continuous_cca | R/W | 0 | 0: continuous CCA off. 1: generate a CCA interrupt every 128 μs. |
| 1 | rx_auto_cca | R/W | 0 | 0: automatic CCA off. 1: generate a CCA interrupt 128 μs after entering the RX state. |
| 0 | Reserved | R/W | 0 | Reserved, set to default. |

ADF7241

Table 34. 0x107: buffercfg

| Bit | Field Name | R/W | Reset Value | Description |
|-------|--------------------------|-----|-------------|---|
| 7 | trx_mac_delay | R/W | 0 | 0: tx_mac_delay (0x10A[7:0]) and rx_mac_delay (0x109[7:0]) enabled. 1: tx_mac_delay (0x10A[7:0]) and rx_mac_delay (0x109[7:0]) disabled. |
| 6 | Reserved | R/W | 0 | Reserved, set to default. |
| [5:4] | tx_buffer_mode | RW | 0 | 0: return to PHY_RDY after frame in TX_BUFFER is transmitted once. 1: cyclic transmission of frame in TX_BUFFER after TX MAC delay with PA ramp-up/down between packets. 2: reserved. 3: cyclic transmission of frame in TX_BUFFER after TX MAC delay with PA kept on. |
| 3 | auto_tx_to_rx_turnaround | R/W | 0 | 0: as per tx_buffer_mode setting. 1: automatically goes to RX after TX data transmitted. |
| 2 | auto_rx_to_tx_turnaround | R/W | 0 | 0: as per rx_buffer_mode setting. 1: automatically goes to TX after RX packet received. |
| [1:0] | rx_buffer_mode | R/W | 0 | 0: first frame following a RC_RX command is stored in RX_BUFFER; device returns to PHY_RDY state after reception of first frame. 1: continuous reception of frames enabled; a new frame overwrites previous frame. 2: new frames not written to buffer. 3: reserved. |

Table 35. 0x108: pkt_cfg

| Bit | Field Name | R/W | Reset Value | Description |
|-------|------------------|-----|-------------|---|
| [7:5] | Reserved | R/W | 0 | Reserved, set to default. |
| 4 | addon_en | R/W | 0 | 0: firmware add-on module disabled. 1: firmware add-on module enabled; module must be loaded prior to setting this bit. |
| 3 | skip_synt_settle | R/W | 0 | 0: the RF frequency synthesizer calibration and settling phase is performed. 1: skip the RF frequency synthesizer calibration and settling phase. This must only be used when the continuous packet transmission mode is enabled. Refer to the WUC Configuration and Operation section. |
| [2:1] | Reserved | R/W | 2 | Reserved, set to default. |
| 0 | auto_fcs_off | R/W | 0 | The rx_pkt_rcvd interrupt is asserted. 0: receive operation—FCS automatically validated; FCS replaced with RSSI and SQI values in RX_BUFFER. Transmit operation—FCS automatically appended to transmitted packet; FCS field in TX_BUFFER is ignored. 1: receive operation—received FCS is stored in RX_BUFFER without validation. Transmit operation—FCS field in TX_BUFFER is transmitted. |

Table 36. 0x109: delaycfg0

| Bit | Field Name | R/W | Reset Value | Description |
|-------|--------------|-----|-------------|--|
| [7:0] | rx_mac_delay | R/W | 192 | Programmable delay from issue of RC_RX command to SFD search and for start of RSSI measurement window. |

Table 37. 0x10A: delaycfg1

| Bit | Field Name | R/W | Reset Value | Description |
|-------|--------------|-----|-------------|--|
| [7:0] | tx_mac_delay | R/W | 192 | Programmable delay from issue of RC_TX command to entering the TX state. Programmable in steps of 1 μ s in both modes. |

Table 38. 0x10B: delaycfg2

| Bit | Field Name | R/W | Reset Value | Description |
|-------|---------------|-----|-------------|---|
| [7:0] | mac_delay_ext | R/W | 0 | Programmable MAC delay extension. Programmable in steps of 4 μ s. Applies in both the RX and TX states. |

Table 39. 0x13E: rc_cfg

| Bit | Field Name | R/W | Reset Value | Description |
|-------|------------|-----|-------------|---|
| [7:0] | rc_mode | R/W | 0 | Configure packet format: 0: IEEE 802.15.4-2006 packet mode. 1: reserved. 2: IEEE 802.15.4-2006 receive SPORT mode. 3: IEEE 802.15.4-2006 transmit SPORT mode. 4, 5 to 255: reserved. |

Table 40. 0x300: ch_freq0

| Bit | Field Name | R/W | Reset Value | Description |
|-------|--------------|-----|-------------|---|
| [7:0] | ch_freq[7:0] | R/W | 128 | Channel frequency [Hz]/10 kHz, Bits[7:0] of Bits[23:0]. |

Table 41. 0x301: ch_freq1

| Bit | Field Name | R/W | Reset Value | Description |
|-------|---------------|-----|-------------|--|
| [7:0] | ch_freq[15:8] | R/W | 169 | Channel frequency [Hz]/10 kHz, Bits[15:8] of Bits[23:0]. |

Table 42. 0x302: ch_freq2

| Bit | Field Name | R/W | Reset Value | Description |
|-------|----------------|-----|-------------|---|
| [7:0] | ch_freq[23:16] | R/W | 3 | Channel frequency [Hz]/10 kHz, Bits[23:16] of Bits[23:0]. |

Table 43. 0x306: tx_m

| Bit | Field Name | R/W | Reset Value | Description |
|-------|---------------|-----|-------------|---|
| [7:1] | RC_CONTROLLED | R/W | 0 | Controlled by radio controller. |
| 0 | preemp_filt | R/W | 1 | 1: enable; 0: disable preemphasis filter. |

Table 44. 0x30C: rrb

| Bit | Field Name | R/W | Reset Value | Description |
|-------|---------------|-----|-------------|---|
| [7:0] | rssr_readback | R | 0 | Receive input power in dBm; signed twos complement. |

Table 45. 0x30D: lrb

| Bit | Field Name | R/W | Reset Value | Description |
|-------|--------------|-----|-------------|--|
| [7:0] | sqi_readback | R | 0 | Signal quality indicator readback value. |

Table 46. 0x313: prampg

| Bit | Field Name | R/W | Reset Value | Description |
|-------|------------|-----|-------------|---------------------------|
| [7:4] | Reserved | R/W | 0 | Reserved, set to default. |
| [3:0] | pram_page | R/W | 0 | Program PRAM page. |

ADF7241

Table 47. 0x314: txpb

| Bit | Field Name | R/W | Reset Value | Description |
|-------|-------------|-----|-------------|--|
| [7:0] | tx_pkt_base | R/W | 128 | Base address of TX_BUFFER in packet RAM. |

Table 48. 0x315: rxpb

| Bit | Field Name | R/W | Reset Value | Description |
|-------|-------------|-----|-------------|--|
| [7:0] | rx_pkt_base | R/W | 0 | Base address of RX_BUFFER in packet RAM. |

Table 49. 0x316: tmr_cfg0

| Bit | Field Name | R/W | Reset Value | Description |
|-------|---------------|-----|-------------|---|
| [7:3] | Reserved | R/W | 0 | Reserved, set to default. |
| [2:0] | timer_prescal | R/W | 0 | Divider factor for XTO32K or RCO. 0: ÷1. 1: ÷4. 2: ÷8. 3: ÷16. 4: ÷128. 5: ÷1024. 6: ÷8192. 7: ÷65,536. Note that this is a write-only register and should be written to prior to writing to Register tmr_cfg1. Settings become effective only after writing to Register tmr_cfg1. |

Table 50. 0x317: tmr_cfg1

| Bit | Field Name | R/W | Reset Value | Description |
|-------|-----------------|-----|-------------|---|
| 7 | Reserved | R/W | 0 | Reserved, set to default. |
| [6:3] | sleep_config | R/W | 0 | 1: SLEEP_BBRAM. 4: SLEEP_XTO. 5: SLEEP_BBRAM_XTO. 11: SLEEP_BBRAM_RCO. 0, 2, 3, 6 to 10, 12 to 15: reserved. Refer to note in Register tmr_cfg0. |
| [2:1] | Reserved | R/W | 0 | Reserved, set to default. |
| 0 | wake_on_timeout | R/W | 0 | 1: enable, 0: disable wake-up on timeout event. |

Table 51. 0x318: tmr_rld0

| Bit | Field Name | R/W | Reset Value | Description |
|-------|--------------------|-----|-------------|---|
| [7:0] | timer_reload[15:8] | R/W | 0 | Timer reload value, Bits[15:8] of Bits[15:0]. Note that this is a write-only register and should be written to prior to writing to Register tmr_rld1. Settings become effective only after writing to Register tmr_rld1. |

Table 52. 0x319: tmr_rld1

| Bit | Field Name | R/W | Reset Value | Description |
|-------|-------------------|-----|-------------|--|
| [7:0] | timer_reload[7:0] | R/W | 0 | Timer reload value, Bits[7:0] of Bits[15:0]. Refer to note in Register tmr_rld0. |

Table 53. 0x31A: tmr_ctrl

| Bit | Field Name | R/W | Reset Value | Description |
|-------|-----------------------|-----|-------------|--|
| [7:2] | Reserved | R/W | 0 | Reserved, set to default. |
| 1 | wuc_rc_osc_cal | R/W | 0 | 1: enable. 0: disable 32 kHz RC oscillator calibration. |
| 0 | wake_timer_flag_reset | R/W | 0 | Timer flag reset. 0: normal operation. 1: reset Field wuc_tmr_prim_toflag and Field wuc_porflag (0x31B). |

Table 54. 0x31B: wuc_32khzosc_status

| Bit | Field Name | R/W | Reset Value | Description |
|-------|---------------------|-----|-------------|---|
| [7:6] | Reserved | R | 0 | Reserved, set to default. |
| 5 | rc_osc_cal_ready | R | 0 | 32 kHz RC oscillator calibration (only valid if wuc_rc_osc_cal = 1). Calibration takes 1 ms. 0: calibration in progress. 1: calibration finished. |
| 4 | xosc32_ready | R | 0 | 32 kHz crystal oscillator (only valid if sleep_config (0x317[6:3]) = 4 or 5). 0: oscillator not settled. 1: oscillator has settled. |
| 3 | Reserved | R | 0 | Reserved, set to default. |
| 2 | wuc_porflag | R | 0 | Chip cold start event registration. 0: not registered. 1: registered. |
| 1 | wuc_tmr_prim_toflag | R | 0 | WUC timeout event registration (the output of a latch triggered by a timeout event). 0: not registered. 1: registered. |
| 0 | Reserved | R | 0 | Reserved, set to default. |

Table 55. 0x31E: pd_aux

| Bit | Field Name | R/W | Reset Value | Description |
|-------|---------------|-----|-------------|---|
| 7 | Reserved | R/W | 0 | Reserved, set to default. |
| 6 | RC_CONTROLLED | R/W | 0 | Controlled by radio controller. |
| 5 | battmon_en | R/W | 0 | 1: enable. 0: disable battery monitor. |
| 4 | extpa_bias_en | R/W | 0 | 1: enable. 0: disable external PA biasing circuit. Controlled by radio controller when Register ext_ctrl, Field extpa_auto_en = 1 (0x100[2]). |
| [3:0] | RC_CONTROLLED | R/W | 0 | Controlled by radio controller. |

Table 56. 0x32C: gp_cfg

| Bit | Field Name | R/W | Reset Value | Description |
|-------|-------------|-----|-------------|---|
| [7:0] | gpio_config | R/W | 0 | 0: IRQ1, IRQ2 functionality. Register gp_out, Bit gpio_dout[6] controls RXEN output. Register gp_out, Bit gpio_dout[5] controls TXEN output. 1: TRCLK and data pins active in RX, gated by synchronization word detection. 1, 4: TRCLK and data pins active in TX. 7: symbol clock output on TRCLK pin and symbol data output on GP6, GP5, GP1, and GP0. Refer to Table 19 for further details of SPORT mode configurations. 2, 3, 5, 6, 8 to 255: reserved. |

ADF7241

Table 57. 0x32D: gp_out

| Bit | Field Name | R/W | Reset Value | Description |
|-------|------------|-----|-------------|--|
| [7:0] | gpio_dout | R/W | 0 | GPIO output value if Register gp_cfg, Field gpio_config = 4. gpio_dout[7:0] = GP7 to GP0. If Register ext_ctrl, Field rxen_en = 1, then Register gp_out, Bit gpio_dout[6] is controlled by radio controller. If Register ext_ctrl, Field txen_en = 1, then Register gp_out, Bit gpio_dout[5] is controlled by radio controller. |

Table 58. 0x33D: rc_cal_cfg

| Bit | Field Name | R/W | Reset Value | Description |
|-------|-------------|-----|-------------|---|
| [7:2] | Reserved | R/W | 15 | Reserved, set to default. |
| [1:0] | skip_rc_cal | R/W | 0 | 0: do not skip RC calibration. This calibration is performed only when transitioning from idle to PHY_RDY. 3: skip RC calibration. |

Table 59. 0x353: vco_band_ovrw

| Bit | Field Name | R/W | Reset Value | Description |
|-------|-------------------|-----|-------------|--|
| [7:0] | vco_band_ovrw_val | R/W | 0 | Overwrite value for the VCO frequency band. Enabled when vco_band_ovrw_en = 1 and Register vco_cal_cfg, Field skip_vco_cal = 15. |

Table 60. 0x354: vco_idac_ovrw

| Bit | Field Name | R/W | Reset Value | Description |
|-------|-------------------|-----|-------------|--|
| [7:0] | vco_idac_ovrw_val | R/W | 0 | Overwrite value for the VCO bias current DAC. Enabled when Register vco_cal_cfg, Field skip_vco_cal = 15 and Field vco_idac_ovrw_en = 1. |

Table 61. 0x355: vco_ovrw_cfg

| Bit | Field Name | R/W | Reset Value | Description |
|-------|------------------|-----|-------------|---|
| [7:2] | Reserved | R/W | 2 | Reserved, set to default. |
| 1 | vco_idac_ovrw_en | R/W | 0 | VCO bias current DAC overwrite. Effective only if Register vco_cal_cfg, Field skip_vco_cal = 15. 0: disable. 1: enable. |
| 0 | vco_band_ovrw_en | R/W | 0 | VCO frequency band overwrite. Effective only if Register vco_cal_cfg, Field skip_vco_cal = 15. 0: disable. 1: enable. |

Table 62. 0x36E: pa_bias

| Bit | Field Name | R/W | Reset Value | Description |
|-------|--------------|-----|-------------|--|
| 7 | Reserved | R/W | 0 | Reserved, set to default. |
| [6:1] | pa_bias_ctrl | R/W | 55 | Set to 63 if maximum PA output power of 4.8 dBm is required. |
| 0 | Reserved | R/W | 1 | Reserved, set to default. |

Table 63. 0x36F: vco_cal_cfg

| Bit | Field Name | R/W | Reset Value | Description |
|-------|--------------|-----|-------------|--|
| [7:4] | Reserved | R/W | 0 | Reserved, set to default. |
| [3:0] | skip_vco_cal | R/W | 9 | 9: do not skip VCO calibration. 15: skip VCO calibration. |

Table 64. 0x371: xto26_trim_cal

| Bit | Field Name | R/W | Reset Value | Description |
|-------|------------|-----|-------------|--|
| [7:6] | Reserved | R/W | 0 | Reserved, set to default. |
| [5:3] | xto26_trim | R/W | 4 | 26 MHz crystal oscillator (XOSC26N) tuning capacitor control word. The load capacitance is adjusted according to the value of xto26_trim as follows: 0: -4×187.5 fF. 1: -3×187.5 fF. 2: -2×187.5 fF. 3: -1×187.5 fF. 4: 0×187.5 fF. 5: 1×187.5 fF. 6: 2×187.5 fF. 7: 3×187.5 fF. |
| [2:0] | Reserved | R/W | 0 | Reserved, set to default. |

Table 65. 0x381: vco_band_rb

| Bit | Field Name | R/W | Reset Value | Description |
|-------|-----------------|-----|-------------|--|
| [7:2] | vco_band_val_rb | R | 0 | Readback for the VCO frequency band after calibration. |

Table 66. 0x381: vco_idac_rb

| Bit | Field Name | R/W | Reset Value | Description |
|-------|-----------------|-----|-------------|---|
| [7:2] | vco_idac_val_rb | R | 0 | Readback of the VCO bias current DAC after calibration. |

Table 67. 0x395: rxcal0

| Bit | Field Name | R/W | Reset Value | Description |
|-------|----------------|-----|-------------|---|
| [7:0] | dcap_ovwrt_low | R/W | 0 | RXBB filter tuning overwrite word, LSB. |

Table 68. 0x396: rxcal1

| Bit | Field Name | R/W | Reset Value | Description |
|-------|-----------------|-----|-------------|---|
| [7:2] | Reserved | R/W | 2 | Reserved, set to default. |
| 1 | dcap_ovwrt_en | R/W | 0 | RXBB filter tuning overwrite word enable. |
| 0 | dcap_ovwrt_high | R/W | 0 | RXBB filter tuning overwrite word, MSB. |

Table 69. 0x39B: rxfe_cfg

| Bit | Field Name | R/W | Reset Value | Description |
|-------|------------|-----|-------------|--|
| [7:5] | Reserved | R/W | 0 | Reserved, set to default. |
| 4 | lna_sel | R/W | 1 | Receive: 0: use LNA1. 1: use LNA2. |
| [3:0] | Reserved | R/W | 13 | Reserved, set to default. |

Table 70. 0x3A7: pa_rr

| Bit | Field Name | R/W | Reset Value | Description |
|-------|--------------|-----|-------------|--|
| [7:3] | Reserved | R/W | 0 | Reserved, set to default. |
| [2:0] | pa_ramp_rate | R/W | 7 | PA ramp rate: $2^{pa_ramp_rate} \times 2.4$ ns per PA power step. |

ADF7241

Table 71. 0x3A8: pa_cfg

| Bit | Field Name | R/W | Reset Value | Description |
|-------|-----------------|-----|-------------|---|
| 7 | Reserved | R/W | 0 | Reserved, set to default. |
| [6:5] | Reserved | R/W | 0 | Set to default. |
| [4:0] | pa_bridge_dbias | R/W | 13 | Set to 21 if output power of 4.8 dBm is required from PA. |

Table 72. 0x3A9: extpa_cfg

| Bit | Field Name | R/W | Reset Value | Description |
|-------|------------|-----|-------------|---|
| [7:5] | Reserved | R/W | 0 | Reserved, set to default. |
| [4:0] | extpa_bias | R/W | 0 | If Register extpa_msc, Field extpa_bias_mode = 1, 2, 3, or 4, PABIAOP_ATB4 pin DAC current = $80 \mu\text{A} - 2.58 \mu\text{A} \times \text{extpa_bias}$. If Register extpa_msc, Field extpa_bias_mode = 5 or 6, PAVSUP_ATB3 pin servo current set point = $22 \text{ mA} - 0.349 \text{ mA} \times \text{extpa_bias}$. |

Table 73. 0x3AA: extpa_msc

| Bit | Field Name | R/W | Reset Value | Description |
|-------|-----------------|-----|-------------|---|
| [7:4] | pa_pwr | R/W | 15 | PA output power after ramping phase: 3: minimum power. 15: maximum power. Nominal power step size 2 dB per LSB. |
| 3 | extpa_bias_src | R/W | 0 | 0: select RBIAS-referred reference current. 1: select band gap-referred reference current. |
| [2:0] | extpa_bias_mode | R/W | 1 | External PA interface configuration: 0: PAVSUP_ATB3 = on; PABIAOP_ATB4 = floating. 1: PAVSUP_ATB3 = on; PABIAOP_ATB4 = current source. 2: PAVSUP_ATB3 = on; PABIAOP_ATB4 = current sink. 3: PAVSUP_ATB3 = off; PABIAOP_ATB4 = current source. 4: PAVSUP_ATB3 = off; PABIAOP_ATB4 = current sink. 5: PAVSUP_ATB3 = on; PABIAOP_ATB4 = positive servo output. 6: PAVSUP_ATB3 = on; PABIAOP_ATB4 = negative servo output. 7: reserved. |

Table 74. 0x3AE: adc_rbk

| Bit | Field Name | R/W | Reset Value | Description |
|-------|------------|-----|-------------|------------------|
| [7:6] | Reserved | R | 0 | Ignore. |
| [5:0] | adc_out | R | 0 | ADC output code. |

Table 75. 0x3B9: agc_cfg5

| Bit | Field Name | R/W | Reset Value | Description |
|-------|------------|-----|-------------|--|
| [7:5] | Reserved | R/W | 0 | Set to 0. |
| [4:2] | rss_i_offs | R/W | 4 | RSSI offset adjust, rss_i_offs is added to Register rrb, Field rss_i_readback. |
| [1:0] | Reserved | R/W | 3 | Reserved, set to default. |

Table 76. 0x3C7: irq1_en0

| Bit | Field Name | R/W | Reset Value | Description |
|-----|------------|-----|-------------|---|
| 7 | Reserved | R/W | 0 | Set to 0. |
| 6 | Reserved | R/W | 0 | Set to 0. |
| 5 | batt_alert | R/W | 0 | Battery monitor interrupt. |
| 4 | por | R/W | 0 | Power-on reset event. |
| 3 | rc_ready | R/W | 0 | Radio controller ready to accept new command. |
| 2 | wakeup | R/W | 0 | Timer has timed out. |
| 1 | powerup | R/W | 1 | Chip is ready for access. |
| 0 | Reserved | R/W | 0 | Set to 0. |

Table 77. 0x3C8: irq1_en1

| Bit | Field Name | R/W | Reset Value | Description |
|-----|--------------|-----|-------------|-------------------------------------|
| 7 | Reserved | R/W | 0 | Set to 0. |
| 6 | Reserved | R/W | 0 | Set to 0. |
| 5 | Reserved | R/W | 0 | Set to 0. |
| 4 | tx_pkt_sent | R/W | 0 | Packet transmission complete. |
| 3 | rx_pkt_rcvd | R/W | 0 | Packet received in RX_BUFFER. |
| 2 | tx_sfd | R/W | 0 | SFD was transmitted. |
| 1 | rx_sfd | R/W | 0 | SFD was detected. |
| 0 | cca_complete | R/W | 0 | CCA_RESULT in status word is valid. |

Table 78. 0x3C9: irq2_en0

| Bit | Field Name | R/W | Reset Value | Description |
|-----|------------|-----|-------------|---|
| 7 | Reserved | R/W | 0 | Set to 0. |
| 6 | Reserved | R/W | 0 | Set to 0. |
| 5 | batt_alert | R/W | 0 | Battery monitor interrupt. |
| 4 | por | R/W | 0 | Power-on reset event. |
| 3 | rc_ready | R/W | 0 | Radio controller ready to accept new command. |
| 2 | wakeup | R/W | 0 | Timer has timed out. |
| 1 | powerup | R/W | 1 | Chip is ready for access. |
| 0 | Reserved | R/W | 0 | Set to 0. |

Table 79. 0x3CA: irq2_en1

| Bit | Field Name | R/W | Reset Value | Description |
|-----|--------------|-----|-------------|-------------------------------------|
| 7 | Reserved | R/W | 0 | Set to 0. |
| 6 | Reserved | R/W | 0 | Set to 0. |
| 5 | Reserved | R/W | 0 | Set to 0. |
| 4 | tx_pkt_sent | R/W | 0 | Packet transmission complete. |
| 3 | rx_pkt_rcvd | R/W | 0 | Packet received in RX_BUFFER. |
| 2 | tx_sfd | R/W | 0 | SFD was transmitted. |
| 1 | rx_sfd | R/W | 0 | SFD was detected. |
| 0 | cca_complete | R/W | 0 | CCA_RESULT in status word is valid. |

Table 80. 0x3CB: irq_src0

| Bit | Field Name | R/W | Reset Value | Description |
|-----|------------|-----|-------------|---|
| 7 | Reserved | R/W | 0 | Set to 0. |
| 6 | Reserved | R/W | 0 | Set to 0. |
| 5 | batt_alert | R/W | 0 | Battery monitor interrupt. |
| 4 | por | R/W | 0 | Power-on reset event. |
| 3 | rc_ready | R/W | 0 | Radio controller ready to accept new command. |
| 2 | wakeup | R/W | 0 | Timer has timed out. |
| 1 | powerup | R/W | 0 | Chip is ready for access. |
| 0 | Reserved | R/W | 0 | Set to 0. |

ADF7241

Table 81. 0x3CC: irq_src1

| Bit | Field Name | R/W | Reset Value | Description |
|-----|--------------|-----|-------------|-------------------------------------|
| 7 | Reserved | R/W | 0 | Set to 0. |
| 6 | Reserved | R/W | 0 | Set to 0. |
| 5 | Reserved | R/W | 0 | Set to 0. |
| 4 | tx_pkt_sent | R/W | 0 | Packet transmission complete. |
| 3 | rx_pkt_rcvd | R/W | 0 | Packet received in RX_BUFFER. |
| 2 | tx_sfd | R/W | 0 | SFD was transmitted. |
| 1 | rx_sfd | R/W | 0 | SFD was detected. |
| 0 | cca_complete | R/W | 0 | CCA_RESULT in status word is valid. |

Table 82. 0x3E3: gp_drv

| Bit | Field Name | R/W | Reset Value | Description |
|-------|------------|-----|-------------|---|
| [7:4] | Reserved | R/W | 0 | Reserved, set to default. |
| [3:2] | gpio_slew | R/W | 0 | GPIO and SPI slew rate. 0: very slow. 1: slow. 2: very fast. 3: fast. |
| [1:0] | gpio_drive | R/W | 0 | GPIO and SPI drive strength. 0: 4 mA. 1: 8 mA. 2: >8 mA. 3: reserved. |

Table 83. 0x3E6: bm_cfg

| Bit | Field Name | R/W | Reset Value | Description |
|-------|-----------------|-----|-------------|---|
| 7:5] | Reserved | R/W | 0 | Reserved, set to default. |
| [4:0] | battmon_voltage | R/W | 0 | Battery monitor trip voltage: $1.7\text{ V} + 62\text{ mV} \times \text{battmon_voltage}$; the batt_alert interrupt is asserted when VDD_BAT drops below the trip voltage. |

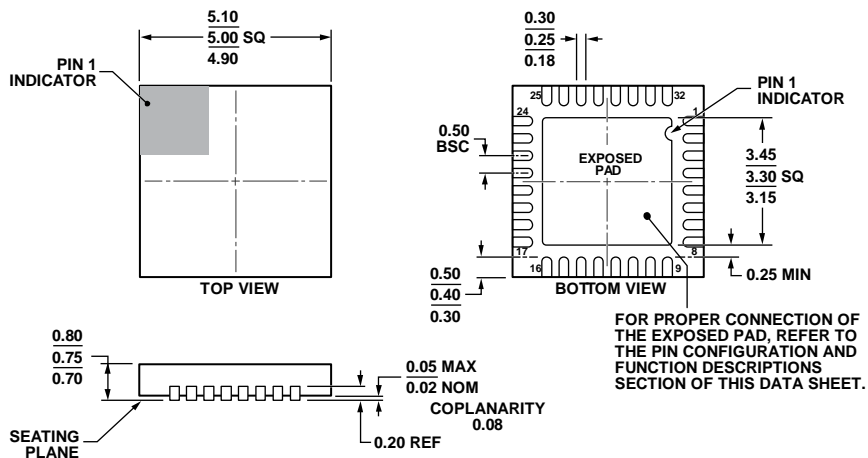
Table 84. 0x3F0: tx_test

| Bit | Field Name | R/W | Reset Value | Description |
|-------|--------------|-----|-------------|--|
| [7:2] | Reserved | R/W | 2 | Reserved, set to default. |
| 1 | carrier_only | R/W | 0 | Transmits unmodulated tone at the programmed frequency f_{CH} . |
| 0 | Reserved | R/W | 0 | Reserved, set to default. |

Table 85. 0x3F4: sfd_15_4

| Bit | Field Name | R/W | Reset Value | Description |
|-------|--------------|-----|-------------|--|
| [7:4] | sfd_symbol_2 | R/W | 10 | Symbol 2 of SFD note: IEEE 802.15.4-2006 requires SFD1 = 10. |
| [3:0] | sfd_symbol_1 | R/W | 7 | Symbol 1 of SFD note: IEEE 802.15.4-2006 requires SFD1 = 7. |

OUTLINE DIMENSIONS



COMPLIANT TO JEDEC STANDARDS MO-220-WHHD.

Figure 69. 32-Lead Lead Frame Chip Scale Package [LFCSP_WQ]
5 mm × 5 mm Body, Very Thin Quad
(CP-32-13)
Dimensions shown in millimeters

033009-A

ORDERING GUIDE

| Model ¹ | Temperature Range | Package Description | Package Option |
|--------------------|-------------------|--|----------------|
| ADF7241BCPZ | -40°C to +85°C | 32-Lead Lead Frame Chip Scale Package [LFCSP_WQ] | CP-32-13 |
| ADF7241BCPZ-RL7 | -40°C to +85°C | 32-Lead Lead Frame Chip Scale Package [LFCSP_WQ] | CP-32-13 |
| EVAL-ADF7241DB1Z | | Evaluation Platform Daughterboard | |
| EVAL-ADF7XXMB3Z | | Evaluation Platform Motherboard | |

¹ Z = RoHS Compliant Part.

ADF7241

NOTES