

08080700 & 08080900 BATTERY DISCONNECT SWITCHES

300A • SPST • IP54 • M10 Studs

08080700

08080900

08080800



Description

Rotating Battery Switches and Selectors are ideal for vehicle and marine protection. The contacts are protected against accidental short-circuit by a housing with a removable lower cover and pre-cut sides to allow cable exit in the desired position.

Features/Benefits

- 300A continuous current rating
- M10 contacts in silver-plated copper
- Panel mount with 52mm key/handle exit hole.
- Waterproof to IP54

Specifications

Max Operating Voltage:	24V DC
Max Continuous Current:	300A
Intermittent Current:	1000A at 5 sec
Operating Temp:	-40 °C to +50 °C
Ingress Protection:	IP54
Contacts:	Silver-plated Copper
Terminals:	M10 (brass nuts)

Applications

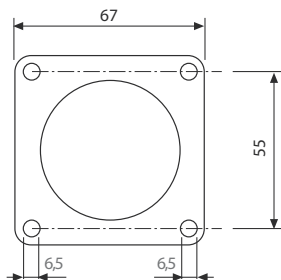
- Marine
- Off-Road
- Agricultural
- Emergency Vehicles

Web Resources

Download 2D print and technical resources at:
littelfuse.com/ManualBatterySwitches

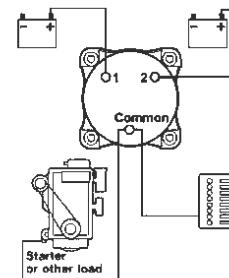
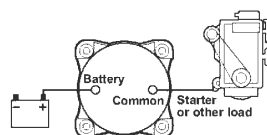
Electrical Diagram

Mounting Diagram



08080700
08080800

08080900

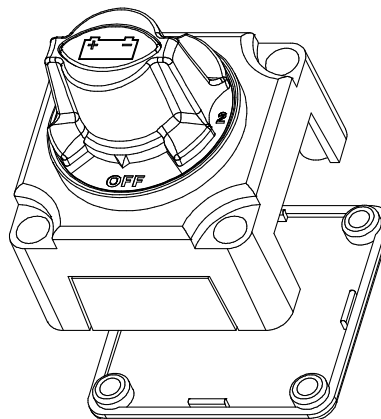
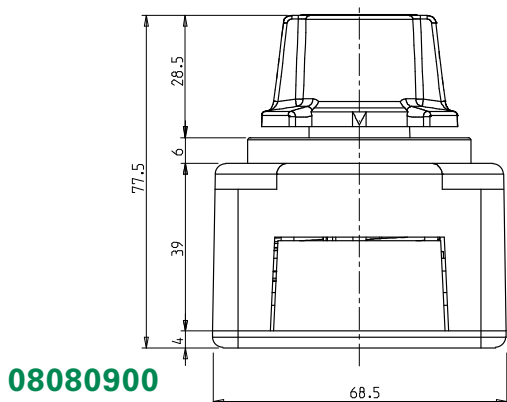
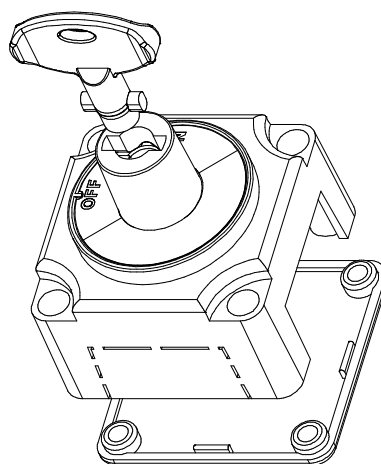
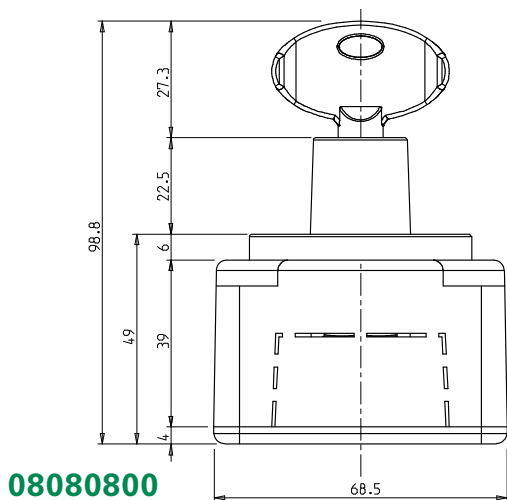
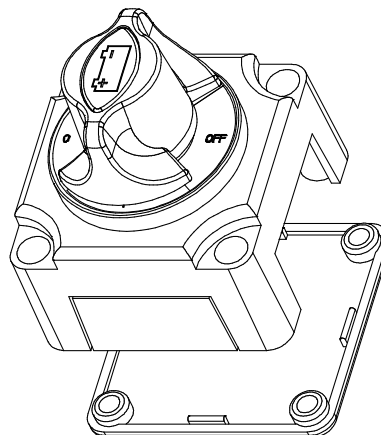
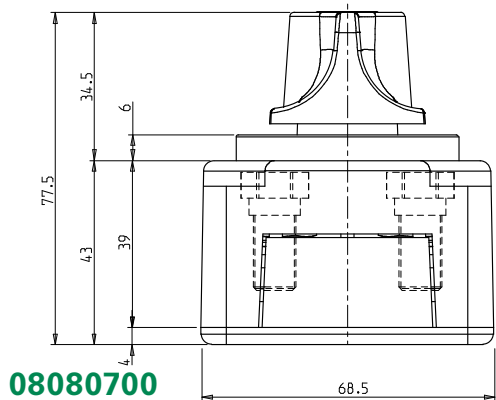


Ordering Information

PART NUMBER	VOLTAGE	AMPERAGE	POSITIONS	CIRCUITRY	MOUNTING	INGRESS	TERMINAL NUTS	NOTES
BOXED								
08080700	12-24V DC	300A	Knob: ON - OFF	SPST	Panel Mount	IP54	M10 Brass	Fixed knob
08080800	12-24V DC	300A	Key: ON - OFF	SPST	Panel Mount	IP54	M10 Brass	Removable key
08080900	12-24V DC	300A	Knob: 1/2/1+2/OFF	SPST	Panel Mount	IP54	M10 Brass	Fixed knob (battery selector)

08080700 & 08080900 BATTERY DISCONNECT SWITCHES

Dimensions in millimeters



Visit Littelfuse.com for the most up-to-date product information. Littelfuse reserves the right to make product changes, without notice. Material in this document is as accurate as known at the time of publication.