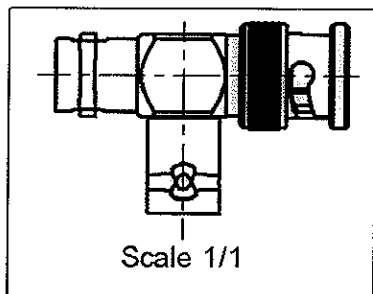
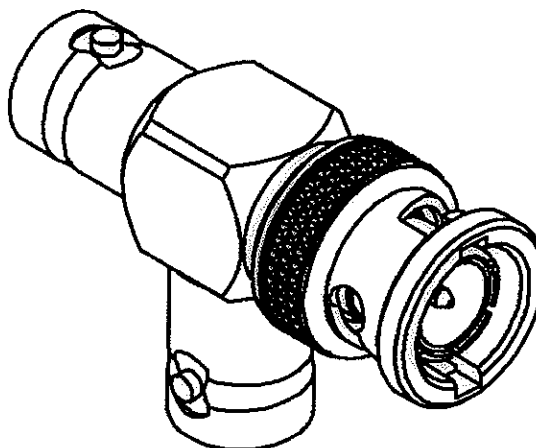
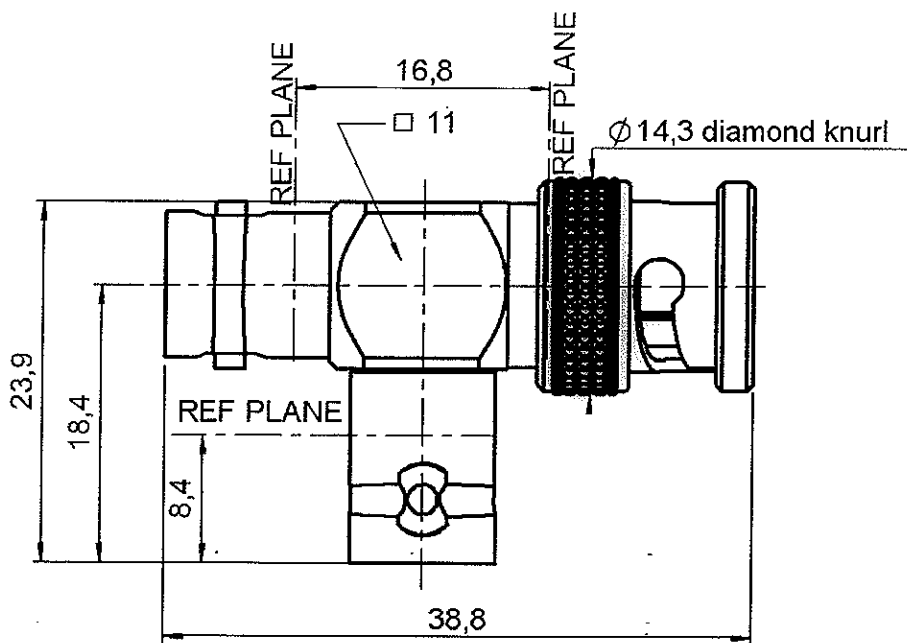


TE MALE-FEMALE/FEMALE ADAPTOR

R142.789.000

Series : **BNC 75**



All dimensions are in mm.

| COMPONENTS | MATERIALS | PLATING |
|----------------|-------------------------|--------------------------------------|
| BODY | BRASS | NICKEL 2 μm |
| CENTRE CONTACT | BERYLLIUM COPPER, BRASS | GOLD 0.5 OVER NICKEL 2 μm |
| OUTER CONTACT | - | - μm |
| INSULATOR | PTFE | |
| GASKET | SILICONE RUBBER | |
| OTHERS PARTS | BRASS | NICKEL 2 μm |
| - | - | - |
| - | - | - |



Edition : 9905 E

Design changes may be in order to improve the product.

TE MALE-FEMALE/FEMALE ADAPTOR

R142.789.000

Series : **BNC 75**

ELECTRICAL CHARACTERISTICS

| | | |
|---------------------------------|------|-----------------------|
| Impedance | | 75 Ω |
| Frequency | | 0-1.5 GHz |
| VSWR | NA + | 0.000 x F(GHz) Maxi |
| Insertion loss | | 0.175 √F(GHz) dB Maxi |
| RF leakage | - (| 57 - F(GHz)) dB mini |
| Voltage rating | | 500 Veff Maxi |
| Dielectric withstanding voltage | | 1500 Veff mini |
| Insulation resistance | | 5000 MΩ mini |

SPECIFICATION

ENVIRONMENTAL

| | |
|----------------------------|--------------|
| Operating temperature | -65/+165 °C |
| Hermetic seal | NA Atm.cm3/s |
| Leakage – pressurised only | NA Mpa |

OTHERS CHARACTERISTICS

Assembly instruction NA

Others :

MECHANICAL CHARACTERISTICS

| | | |
|----------------------------|--|-----------------|
| Centre contact retention | | |
| Axial force – Mating end | | 18 N mini |
| Axial force – Opposite end | | 18 N mini |
| Torque | | 2.8 N.cm mini |
| Recommended torque | | |
| Mating | | NA N.cm |
| Panel nut | | NA N.cm |
| Mating life | | 500 Cycles mini |
| Weight | | 0.000 g |



RADIALL®

Edition : 9905 E

Design changes may be in order to improve the product.