

MICRO SWITCH
 FREEPORT, ILLINOIS, U.S.A.
 A DIVISION OF HONEYWELL
 FED. MFG. CODE 91929

SWITCH-ENCLOSED

CATALOG LISTING
BZE6-2RN193

BZE6-2RN193

M

DRAWING NUMBER

6

ISSUE

REPLACES

PR-16904

29AUG07

PSR

CHECK

23 NOV 05

BP

CHECK

11 NOV 88

TSK

CHECK

10 NOV 88

RASTER

FO-8881-B

DRAWN

10 NOV 88

CHECK

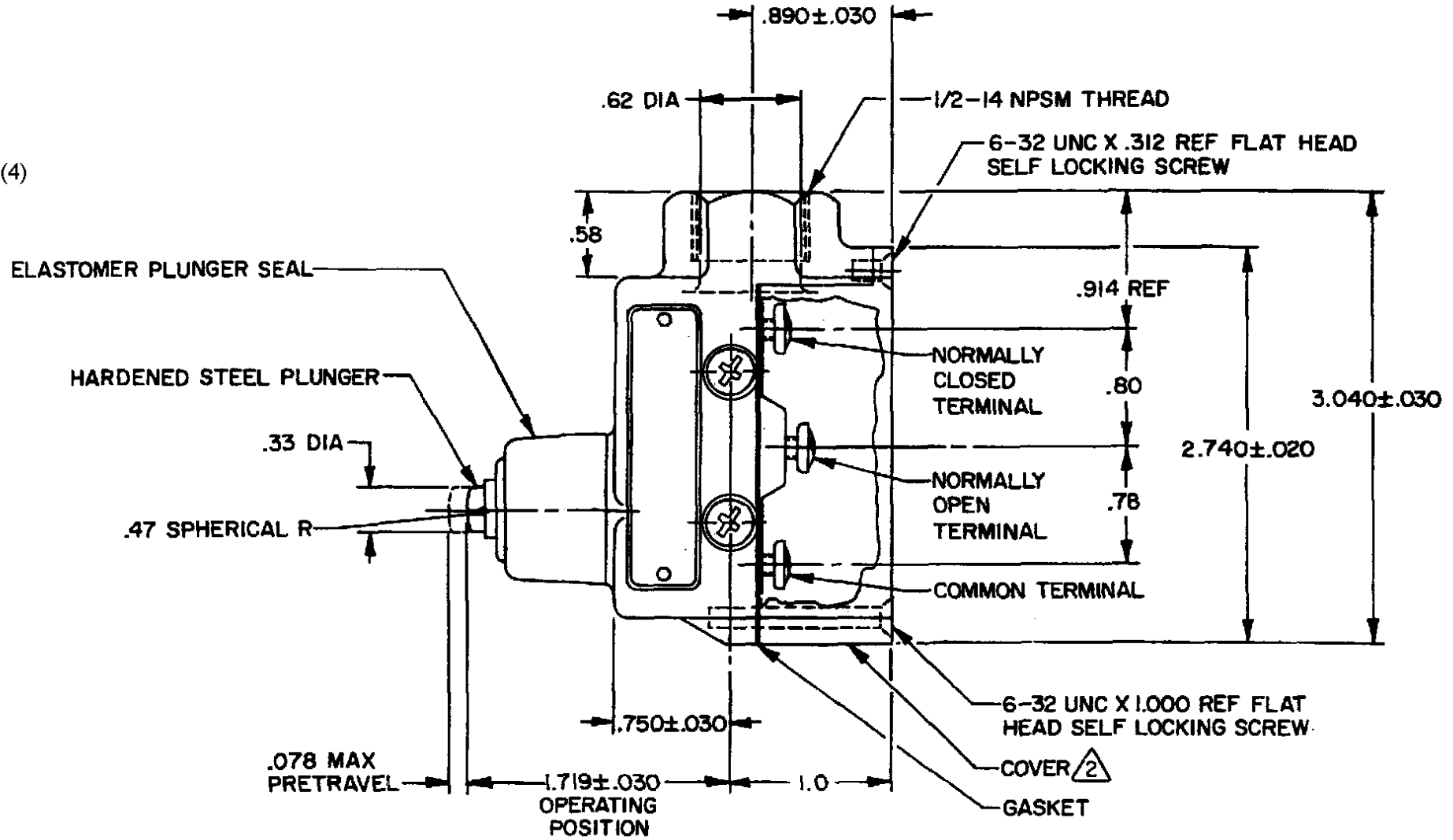
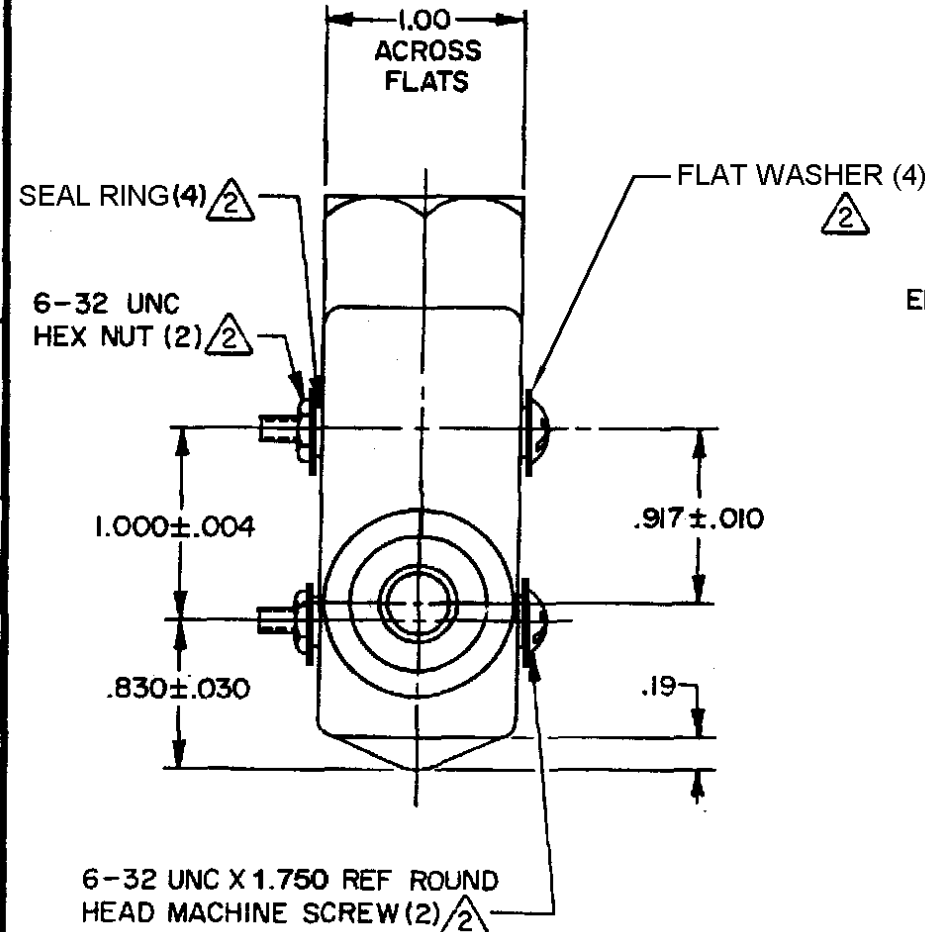
10 NOV 88

CHECK

10 NOV 88

CHECK

10 NOV 88



REVISIONS

A	CO72476	MAM	4 SEP 82
B	0017057	VKR	23 NOV 05
C	0023923	RKP	24 AUG 06
D	0025947	SV	31 OCT 06
E	0033014	BS	29 AUG 07

THIS DRAWING COVERS A PROPRIETARY ITEM AND IS THE PROPERTY OF MICRO SWITCH, A DIVISION OF HONEYWELL. THIS DRAWING IS NOT TO BE COPIED OR USED WITHOUT THE APPROVAL OF MICRO SWITCH.

CHARACTERISTICS	ELECTRICAL DATA
OPERATING FORCE ----- 9-24 OZ	CONTACT ARRANGEMENT S P D T
RELEASE FORCE ----- 4 OZ MIN	L74
DIFFERENTIAL TRAVEL ----- .002 MAX	15A 125, 250, OR 480VAC 2A 600 VAC
OVERTRAVEL ----- .219 MIN	1/8 HP 125 VAC, 1/4 HP 250 VAC
BASIC SWITCH REPLACEMENT -- BZ-2R077	1/2A 125 VDC, 1/4A 250 VDC

CE 1.5A, 240 Vac

SCALE	FULL
DO NOT SCALE PRINT	
UNLESS OTHERWISE SPECIFIED TOLERANCES ARE	
ONE PLACE	(.0) \pm .030
TWO PLACE	(.00) \pm .015
THREE PLACE	(.000) \pm .005
ANGLES	\pm
THIRD ANGLE PROJECTION	
WEIGHT	.56 LB

NOTES

- 1 - 6-32 UNC X .219 REF BINDING HEAD TERMINAL SCREW AND CUPWASHER (3) \triangle FURNISHED UNASSEMBLED
- 3 - SEAL RATING: NEMA 1,3,4 IP 66