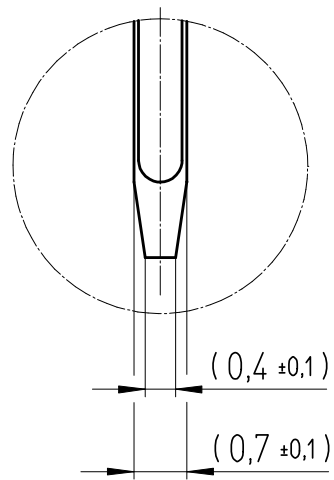


Layout top view



- Samples can deviate in the execution from the serie.

- Dimensions and tolerances can be specified only after the testing of the devices for the mass production definitely

Tab material: Stainless steel

All framed values will be used for dimension checking !

Rev.	○			Rev.	○		Customer's Approval			
Rev.	○			Rev.	○		☐	Date		
Rev.	○			Rev.	○			Signature		
Titel:  <b>CR1025FV-LF</b>							Scale	Drawn	21.12.04	SRi
							2:1	Checked	07.02.05	MHo
								Approved		
							CH-4452 Itingen Switzerland		3.8697.4-	