



Series 801 Mighty Mouse Double-Start ACME Thread Metal Protective Cover 667-217 and 667-218 Ordering Information



Protect Connectors From Damage
Machined aluminum covers have rubber gaskets for a watertight fit.

Stainless Steel Fittings and Rings
Choose small diameter eye fittings for panel attachment. Larger rings fit under the jam nut or over cable jackets. Split rings can be installed on fully assembled cables.

Polyurethane-Coated SST Wire Rope
offers high strength, excellent abrasion resistance and good flexibility. Or, choose Fluoropolymer jacket for high temperature exposure.

Braided Nylon Rope provides excellent flexibility and good abrasion resistance, and can be ordered with slip knot fittings for easy installation on any size cable.

X

| How To Order | |
|--------------------------------|--|
| Sample Part Number | 667-217 -M -G 9 04 -6 |
| Series (See Table I) | 667-217 = Plug Cover 667-218 = Receptacle Cover |
| Material and Finish | C = Aluminum / Black Anodize (Non-Conductive) RoHS Compliant M = Aluminum / Electroless Nickel RoHS Compliant MT = Aluminum / Nickel-PTFE RoHS Compliant NF = Aluminum / Cadmium with Olive Drab Chromate ZNU = Aluminum / Zinc-Nickel with Black Chromate Z1 = Stainless Steel / Passivated RoHS Compliant |
| Attachment Type | -D = Bead Chain, CRES, Passivate -F = Wire Rope, Nylon Jacket -G = Nylon Rope -H = SST Wire Rope, Fluoropolymer Jacket -N = No Attachment -R = Wire Rope, PVC Jacket -S = SST Sash Chain -SK = Nylon Rope With Slip Knot -T = SST Wire Rope, No Jacket -U = SST Wire Rope, Polyurethane Jacket "SST" = Stainless Steel |
| Shell Size | 5, 6, 7, 8, 9, 10, 11, 13, 16, 17, 19, 21 |
| Attachment Code (See Table II) | Small Ring = 01 thru 06 Split Ring = 50 thru 68 Solid Ring = 14 thru 33 |
| Attachment Length (inches) | Omit for attachment Type N (No Attachment) Example "-6" equals six inch length |

| Table I: Cover Style | |
|-----------------------|-----------------------------|
| | |
| 667-217 Plug Cover | 667-218 Receptacle Cover |

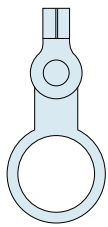
| Table II: Attachment Code | |
|--|---|
| Omit for attachment types N (No Attachment) and SK (Slip Knot) | |
| Small Ring ± .010 I.D. tolerance | 01 - .126 (3.20) I.D. 02 - .145 (3.68) I.D. 04 - .188 (4.78) I.D. 06 - .197 (5.00) I.D. |
| Large Ring ± .015 I.D. tolerance | 32 - .265 (.37) I.D. 29 - .315 (8.00) I.D. 14 - .385 (9.78) I.D. 15 - .445 (11.30) I.D. 33 - .510 (12.95) I.D. 16 - .570 (14.48) I.D. 17 - .635 (16.13) I.D. 18 - .695 (17.65) I.D. 27 - .766 (.89) I.D. 19 - .885 (22.48) I.D. 26 - .950 (24.13) I.D. 20 - 1.070 (27.17) I.D. 21 - 1.135 (28.83) I.D. 22 - 1.210 (30.73) I.D. 23 - 1.275 (32.39) I.D. 30 - 1.380 (35.05) I.D. |
| Split Ring | 50 - .432 (11.00) I.D. 52 - .492 (12.50) I.D. 54 - .648 (16.50) I.D. 56 - .757 (19.20) I.D. 58 - .898 (22.80) I.D. 60 - 1.023 (26.00) I.D. 64 - 1.137 (28.90) I.D. 68 - 1.357 (34.50) I.D. |

Dimensions in Inches (millimeters) are subject to change without notice.

Series 801 Mighty Mouse Double-Start ACME Thread Metal Protective Cover 667-217 and 667-218 Dimensions



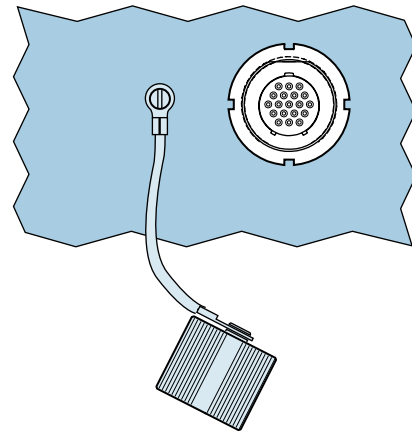
667-218 Cover Attachment for RPM Jam Nut Receptacle



Solid Ring

| Atch. Code | Shell Size | Ring I.D. | | Ring O.D. | |
|------------|------------|-----------|-----------|-----------|------------|
| | | In. ±.015 | mm. ±0.25 | In. ±.015 | mm. ± 0.38 |
| 14 | 5 | .385 | 9.78 | .51 | 12.95 |
| 15 | 6 | .445 | 11.30 | .57 | 14.35 |
| 16 | 7, 8 | .570 | 14.48 | .69 | 17.40 |
| 17 | 9 | .635 | 16.13 | .76 | 19.30 |
| 18 | 10 | .695 | 17.65 | .82 | 20.82 |
| 27 | 11 | .766 | 19.46 | .89 | 22.61 |
| 19 | 13 | .885 | 22.48 | 1.01 | 25.65 |
| 20 | 16 | 1.070 | 27.17 | 1.20 | 30.35 |
| 21 | 17 | 1.135 | 28.83 | 1.25 | 31.75 |
| 23 | 19 | 1.275 | 30.734 | 1.37 | 33.27 |
| 30 | 21 | 1.380 | 35.05 | 1.52 | 37.85 |

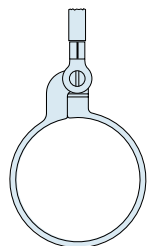
667-218 Cover Attachment to a Panel with a Screw



Small Ring for Attaching Receptacle Covers to a Panel with a Screw

| Atch. Code | Screw Size | Ring I.D. | | Ring O.D. | |
|------------|------------|-----------|-----------|-----------|----------|
| | | In. ±.010 | mm. ±0.13 | In. Max. | mm. Max. |
| 01 | #4, M3 | .126 | 3.20 | .31 | 7.9 |
| 02 | #6 | .145 | 3.68 | .31 | 7.9 |
| 04 | #8, M4 | .188 | 4.78 | .31 | 7.9 |
| 06 | #10 | .197 | 5.00 | .31 | 7.9 |

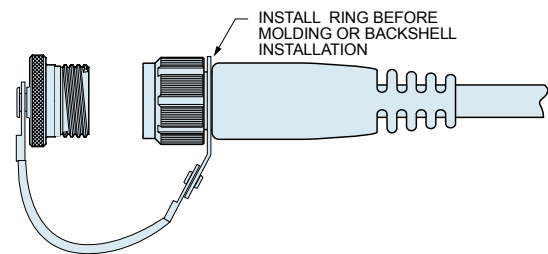
667-217 Cover Attachment to Cable



Large Split Ring for Attaching Covers to Cables

| Atch. Code | Max. Cable Dia. (in.) | Ring Diameter | | | |
|------------|-----------------------|---------------|-------|---------|-------|
| | | Min. ID | | Max. OD | |
| | | In. | mm. | In. | mm. |
| 50 | .410 | .420 | 10.67 | .580 | 14.73 |
| 52 | .470 | .480 | 12.19 | .640 | 16.26 |
| 54 | .625 | .635 | 16.13 | .796 | 20.22 |
| 56 | .735 | .745 | 18.92 | .905 | 22.99 |
| 58 | .875 | .885 | 22.48 | 1.046 | 26.57 |
| 60 | 1.000 | 1.010 | 25.65 | 1.171 | 29.74 |
| 64 | 1.115 | 1.125 | 28.58 | 1.285 | 32.64 |
| 68 | 1.335 | 1.345 | 34.16 | 1.505 | 38.23 |

667-217 Cover Attachment to Cable Assembly



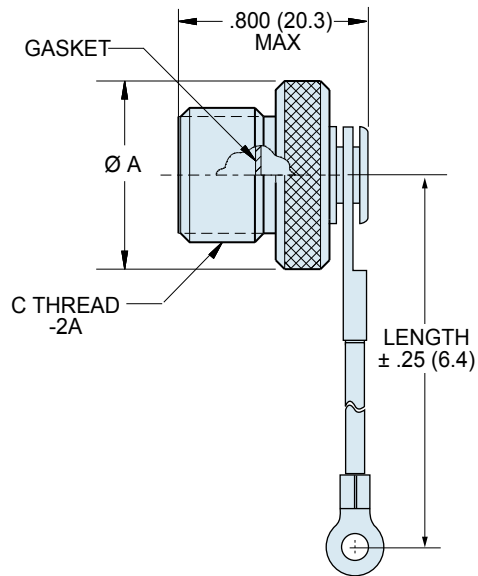
Solid Ring

| Atch. Code | Shell Size | Ring I.D. | | Ring O.D. | |
|------------|------------|-----------|-----------|-----------|------------|
| | | In. ±.015 | mm. ±0.25 | In. ±.015 | mm. ± 0.38 |
| 29 | 5 | .315 | 8.00 | .44 | 11.18 |
| 14 | 6 | .385 | 9.78 | .51 | 12.95 |
| 33 | 7,8 | .510 | 12.95 | .62 | 15.75 |
| 16 | 9 | .570 | 14.48 | .69 | 17.53 |
| 17 | 10 | .635 | 16.13 | .76 | 19.30 |
| 18 | 11,13 | .695 | 17.65 | .82 | 20.83 |
| 26 | 16,17 | .950 | 24.13 | 1.14 | 28.96 |
| 20 | 19 | 1.070 | 27.18 | 1.20 | 30.48 |
| 22 | 21 | 1.210 | 30.73 | 1.31 | 33.27 |

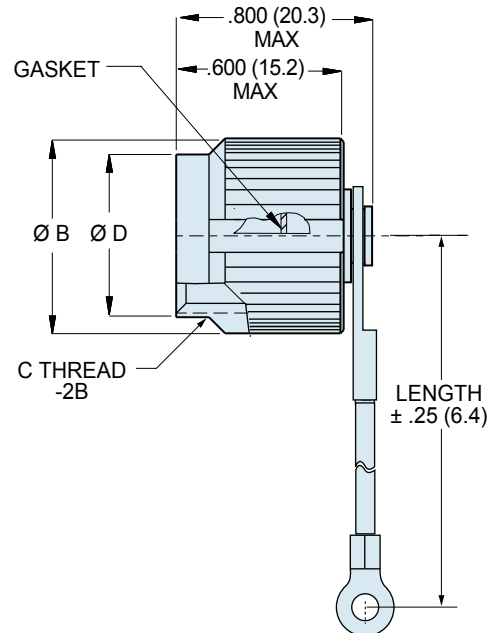
Dimensions in Inches (millimeters) are subject to change without notice.



Series 801 Mighty Mouse Double-Start ACME Thread Metal Protective Cover 667-217 and 667-218 Dimensions



667-217 Plug Cover



667-218 Receptacle Cover

X

Dimensions

| Shell Size | Ø A Max. | | Ø B Max. | | Ø D Max. ±.015 (0.38) | | C Thread |
|------------|----------|------|----------|-------|--------------------------|------|----------------|
| | In. | mm. | In. | mm. | In. | mm. | |
| 5 | .465 | 11.8 | .488 | 12.40 | .368 | 9.3 | .3125-.05P-.1L |
| 6 | .525 | 13.3 | .555 | 14.10 | .453 | 11.5 | .375-.05P-.1L |
| 7 | .590 | 14.9 | .615 | 15.62 | .538 | 13.7 | .4375-.05P-.1L |
| 8 | .653 | 16.6 | .675 | 17.15 | .587 | 14.9 | .5000-.05-.1L |
| 9 | .715 | 18.0 | .840 | 21.34 | .648 | 16.5 | .5625-.05P-.1L |
| 10 | .778 | 19.7 | .905 | 22.95 | .712 | 18.1 | .6250-.05P-.1L |
| 11 | .840 | 21.3 | .948 | 24.1 | .778 | 19.8 | .6875-.05P-.1L |
| 13 | .965 | 24.4 | .995 | 25.27 | .904 | 22.9 | .8125-.1P-.2L |
| 16 | 1.150 | 29.2 | 1.261 | 32.03 | 1.092 | 27.7 | 1.000-.1P-.2L |
| 17 | 1.215 | 30.8 | 1.321 | 33.55 | 1.158 | 29.4 | 1.062-.1P-.2L |
| 19 | 1.340 | 34.0 | 1.447 | 36.8 | 1.283 | 32.6 | 1.1875-.1P-.2L |
| 21 | 1.477 | 37.5 | 1.570 | 39.88 | 1.412 | 35.8 | 1.3125-.1P-.2L |

NOTES

Materials and Finishes

1. Cover: Aluminum alloy or stainless steel
2. Gasket: Fluorosilicone rubber
3. Wire, Hardware: Stainless steel, passivated

Lanyard Options

| | |
|---|--|
| <p>Nylon Rope</p> | -65° to +100°C., black, very flexible, very good abrasion resistance, good resistance to fuels, .120" (3mm) diameter |
| <p>Polyurethane Coated Wire Rope</p> | Black polyurethane over stainless steel rope, -65° to +125°C., very flexible, excellent abrasion resistance, excellent resistance to fuels, .080" (2mm) diameter |
| <p>Fluoropolymer Jacketed Wire Rope</p> | Translucent FEP jacket over stainless steel, -65° to +200°C., fair flexibility, good abrasion resistance, .100" diameter |
| <p>Sash Chain</p> | Stainless steel, #8 chain, .240" (6mm) |
| <p>Slip Knot (SK) for Attaching Covers to Cable</p> | 65° to +100°C., black, very flexible, very good abrasion resistance, good resistance to fuels, .120" (3mm) diameter. Length includes .5" (13mm) diameter loop. |

Dimensions in Inches (millimeters) are subject to change without notice.