

PLEASE CHECK WWW.MOLEX.COM FOR LATEST PART INFORMATION

Part Number: [1715757105](#)
Status: **Active**
Overview: [Impact™ Backplane Connectors and Cable Assemblies](#)
Description: Impact™ 100 Ohm Right-Angle Orthogonal Direct Header, 5-Pair, Top Guide, Bottom Endwall, with Outrigger, 10 Column, 50 Differential Pair, Pin Length 5.50mm, 0.46mm Plated Through-Hole, Lead-Free

Documents:

3D Model	Application Specification AS-76850-990 (PDF)
Drawing (PDF)	Packaging Specification PK-70873-8022 (PDF)
Product Specification PS-45499-002 (PDF)	Packaging Specification PK-70873-8023 (PDF)
Product Specification PS-76060-999 (PDF)	RoHS Certificate of Compliance (PDF)
Application Specification AS-76060-9999 (PDF)	

Agency Certification

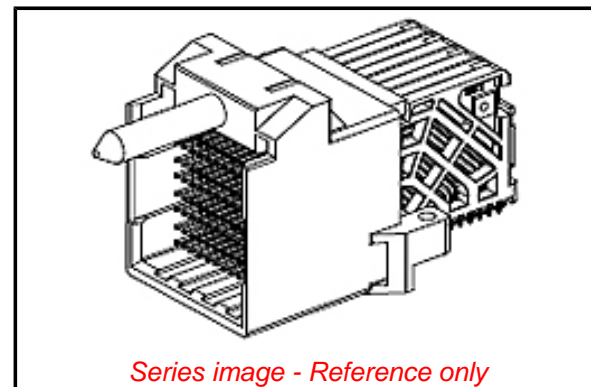
UL E29179

General

Product Family	Backplane Connectors
Series	171575
Application	Orthogonal Direct
Application Tooling Documents	TM-622018799
Component Type	PCB Header
Overview	Impact™ Backplane Connectors and Cable Assemblies
Product Name	Impact™
UPC	887191301532

Physical

Circuits (Loaded)	150
Circuits (maximum)	150
Color - Resin	Black
Durability (mating cycles max)	200
First Mate / Last Break	No
Flammability	94V-0
Guide to Mating Part	Yes
Keying to Mating Part	None
Material - Metal	High Performance Alloy (HPA)
Material - Plating Mating	Gold
Material - Plating Termination	Tin
Material - Resin	High Temperature Thermoplastic
Net Weight	33.188/g
Number of Columns	10
Number of Pairs	5
Number of Rows	15
Orientation	Right Angle
PC Tail Length	1.20mm
PCB Locator	No
PCB Retention	Yes
PCB Thickness - Recommended	1.00mm
Packaging Type	Tray
Pitch - Mating Interface	1.35mm, 1.90mm, 2.15mm
Pitch - Termination Interface	1.35mm, 1.90mm, 2.15mm
Plating min - Mating	0.762µm
Polarized to PCB	Yes
Stackable	No
Surface Mount Compatible (SMC)	No
Temperature Range - Operating	-55°C to +85°C



Series image - Reference only

EU ELV

Not Relevant

EU RoHS

Compliant

REACH SVHC

Not Contained Per
-ED/79/2015 (17
December 2015)

Halogen-Free

Status

Not Low-Halogen

Need more information on product environmental compliance?

Email productcompliance@molex.com
Please visit the [Contact Us](#) section for any non-product compliance questions.

China ROHS

ELV

Green Image

Not Relevant

Search Parts in this Series

[171575](#) Series

Mates With

[76990](#) Impact™ 100 Ohm Right Angle Orthogonal Daughtercard

Application Tooling | FAQ

Tooling specifications and manuals are found by selecting the products below. Crimp Height Specifications are then contained in the Application Tooling Specification document.

Global

Description	Product #
Impact Daughter Card Extraction Tool	0622024300
Impact™ Orthogonal Direct Ram Module Installation Press-	0622030028

Termination Interface: Style

Through Hole - Compliant Pin

In Tool 5-Pair by 10
Column

Electrical

Current - Maximum per Contact

0.75A

Data Rate

25.0 Gbps

Impedance

100#

Shield Type

N/A

Shielded

No

Voltage - Maximum

30V AC (RMS)/DC

Solder Process Data

Lead-free Process Capability

N/A

Material Info

Reference - Drawing Numbers

Application Specification

AS-76060-9999, AS-76850-990

Packaging Specification

PK-70873-8022, PK-70873-8023

Product Specification

PS-45499-002, PS-76060-999

Sales Drawing

SD-171575-0002

Symbol/Footprint Data

SYM-171575-7105

This document was generated on 06/09/2016

PLEASE CHECK WWW.MOLEX.COM FOR LATEST PART INFORMATION