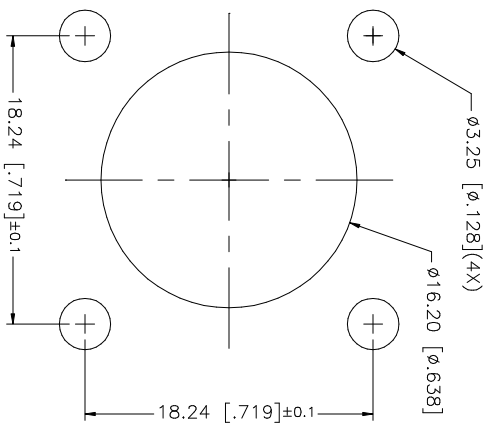
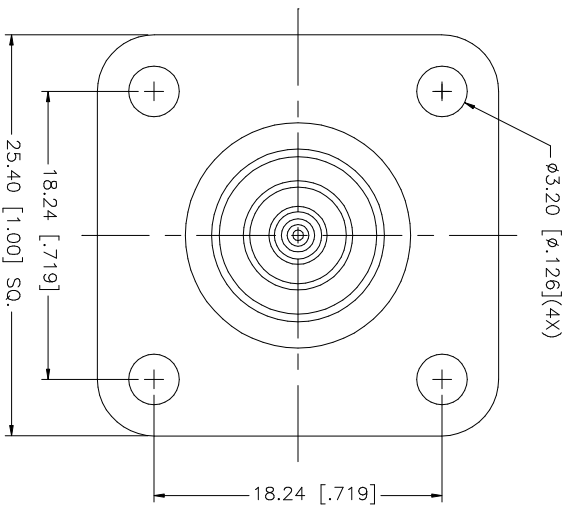
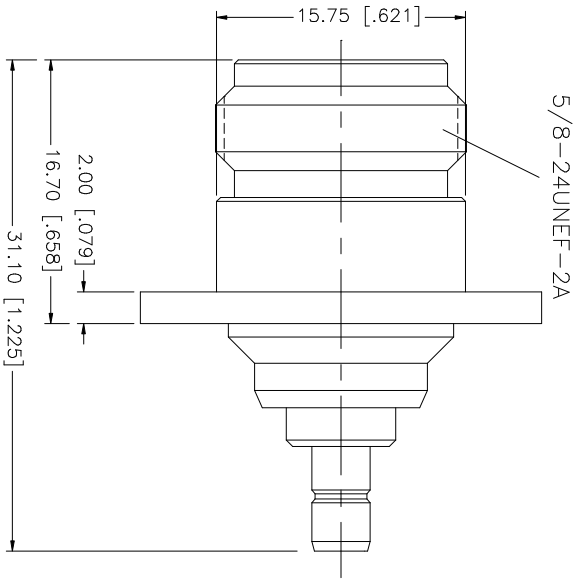


REV.	DATE	DESCRIPTION
NC	02/02/04	INITIAL RELEASE



8				UNLESS OTHERWISE SPECIFIED DIMENSIONS ARE IN MILLIMETERS. DIMENSIONS IN [ ] ARE IN INCHES AND FOR CUSTOMER REFERENCE ONLY.	APPROVALS	DATE
7				UNLESS OTHERWISE SPECIFIED TOLERANCES FOR MILLIMETERS ARE:	DRAWN	G.R.S.
6				0.5 - 8mm ± 0.20mm	CHECKED	02/02/04
5				8 - 30mm ± 0.40mm	ISSUED	
4				30 - 120mm ± 0.50mm	SHEET	1 OF 1
3	CONTACT PIN	PHOS. BRONZE	GOLD	UNLESS OTHERWISE SPECIFIED TOLERANCES FOR INCHES ARE:	CAD FILE	
2	INSULATOR	TEFLON	NATURAL	0.20 - .315 = ± 0.002"	C:/242/242198.DWG	
1	BODY	BRASS	NICKEL	.315 - 1.180 = ± 0.015"	DWG. NO.	242198
				1.180 - 4.724 = ± 0.020"	REV.	NC
	DESCRIPTION	MATERIAL	FINISH	DO NOT SCALE DRAWING	SIZE	A
					SCALE	NA
					PART DESCRIPTION	
					N JACK TO SMB JACK PANEL ADAPTER	
					242198	

**Amphenol Connex**