



64M × 8 BANKS × 8 BIT DDR3L SDRAM

Table of Contents-

| | | |
|---------|--|----|
| 1. | GENERAL DESCRIPTION | 5 |
| 2. | FEATURES | 5 |
| 3. | ORDER INFORMATION | 6 |
| 4. | KEY PARAMETERS | 7 |
| 5. | BALL CONFIGURATION | 8 |
| 6. | BALL DESCRIPTION | 9 |
| 7. | BLOCK DIAGRAM | 11 |
| 8. | FUNCTIONAL DESCRIPTION | 12 |
| 8.1 | Basic Functionality | 12 |
| 8.2 | RESET and Initialization Procedure | 12 |
| 8.2.1 | Power-up Initialization Sequence | 12 |
| 8.2.2 | Reset Initialization with Stable Power | 14 |
| 8.3 | Programming the Mode Registers..... | 15 |
| 8.3.1 | Mode Register MR0 | 17 |
| 8.3.1.1 | Burst Length, Type and Order | 17 |
| 8.3.1.2 | CAS Latency..... | 18 |
| 8.3.1.3 | Test Mode..... | 18 |
| 8.3.1.4 | DLL Reset..... | 18 |
| 8.3.1.5 | Write Recovery | 19 |
| 8.3.1.6 | Precharge PD DLL | 19 |
| 8.3.2 | Mode Register MR1 | 19 |
| 8.3.2.1 | DLL Enable/Disable..... | 20 |
| 8.3.2.2 | Output Driver Impedance Control | 20 |
| 8.3.2.3 | ODT RTT Values | 20 |
| 8.3.2.4 | Additive Latency (AL) | 20 |
| 8.3.2.5 | Write leveling | 20 |
| 8.3.2.6 | Output Disable..... | 21 |
| 8.3.2.7 | TDQS, TDQS#..... | 21 |
| 8.3.3 | Mode Register MR2 | 22 |
| 8.3.3.1 | Partial Array Self Refresh (PASR)..... | 23 |
| 8.3.3.2 | CAS Write Latency (CWL)..... | 23 |
| 8.3.3.3 | Auto Self Refresh (ASR) and Self Refresh Temperature (SRT) | 23 |
| 8.3.3.4 | Dynamic ODT (Rtt_WR) | 23 |
| 8.3.4 | Mode Register MR3 | 24 |
| 8.3.4.1 | Multi Purpose Register (MPR) | 24 |
| 8.4 | No OPERATION (NOP) Command..... | 25 |
| 8.5 | Deselect Command..... | 25 |
| 8.6 | DLL-off Mode | 25 |
| 8.7 | DLL on/off switching procedure..... | 26 |
| 8.7.1 | DLL “on” to DLL “off” Procedure..... | 26 |
| 8.7.2 | DLL “off” to DLL “on” Procedure..... | 27 |
| 8.8 | Input clock frequency change | 28 |
| 8.8.1 | Frequency change during Self-Refresh..... | 28 |
| 8.8.2 | Frequency change during Precharge Power-down | 28 |
| 8.9 | Write Leveling | 30 |



| | | |
|----------|--|----|
| 8.9.1 | DRAM setting for write leveling & DRAM termination function in that mode | 31 |
| 8.9.2 | Write Leveling Procedure | 31 |
| 8.9.3 | Write Leveling Mode Exit | 33 |
| 8.10 | Multi Purpose Register | 34 |
| 8.10.1 | MPR Functional Description | 35 |
| 8.10.2 | MPR Register Address Definition | 36 |
| 8.10.3 | Relevant Timing Parameters | 36 |
| 8.10.4 | Protocol Example | 36 |
| 8.11 | ACTIVE Command | 42 |
| 8.12 | PRECHARGE Command | 42 |
| 8.13 | READ Operation | 43 |
| 8.13.1 | READ Burst Operation | 43 |
| 8.13.2 | READ Timing Definitions | 44 |
| 8.13.2.1 | READ Timing; Clock to Data Strobe relationship | 45 |
| 8.13.2.2 | READ Timing; Data Strobe to Data relationship | 46 |
| 8.13.2.3 | tLZ(DQS), tLZ(DQ), tHZ(DQS), tHZ(DQ) Calculation | 47 |
| 8.13.2.4 | tRPRE Calculation | 48 |
| 8.13.2.5 | tRPST Calculation | 48 |
| 8.13.2.6 | Burst Read Operation followed by a Precharge | 54 |
| 8.14 | WRITE Operation | 56 |
| 8.14.1 | DDR3L Burst Operation | 56 |
| 8.14.2 | WRITE Timing Violations | 56 |
| 8.14.2.1 | Motivation | 56 |
| 8.14.2.2 | Data Setup and Hold Violations | 56 |
| 8.14.2.3 | Strobe to Strobe and Strobe to Clock Violations | 56 |
| 8.14.2.4 | Write Timing Parameters | 56 |
| 8.14.3 | Write Data Mask | 57 |
| 8.14.4 | tWPRE Calculation | 58 |
| 8.14.5 | tWPST Calculation | 58 |
| 8.15 | Refresh Command | 65 |
| 8.16 | Self-Refresh Operation | 67 |
| 8.17 | Power-Down Modes | 69 |
| 8.17.1 | Power-Down Entry and Exit | 69 |
| 8.17.2 | Power-Down clarifications - Case 1 | 75 |
| 8.17.3 | Power-Down clarifications - Case 2 | 75 |
| 8.17.4 | Power-Down clarifications - Case 3 | 76 |
| 8.18 | ZQ Calibration Commands | 77 |
| 8.18.1 | ZQ Calibration Description | 77 |
| 8.18.2 | ZQ Calibration Timing | 78 |
| 8.18.3 | ZQ External Resistor Value, Tolerance, and Capacitive loading | 78 |
| 8.19 | On-Die Termination (ODT) | 79 |
| 8.19.1 | ODT Mode Register and ODT Truth Table | 79 |
| 8.19.2 | Synchronous ODT Mode | 80 |
| 8.19.2.1 | ODT Latency and Posted ODT | 80 |
| 8.19.2.2 | Timing Parameters | 80 |
| 8.19.2.3 | ODT during Reads | 82 |
| 8.19.3 | Dynamic ODT | 83 |
| 8.19.3.1 | Functional Description: | 83 |
| 8.19.3.2 | ODT Timing Diagrams | 84 |



| | | |
|----------|---|-----|
| 8.19.4 | Asynchronous ODT Mode | 88 |
| 8.19.4.1 | Synchronous to Asynchronous ODT Mode Transitions | 89 |
| 8.19.4.2 | Synchronous to Asynchronous ODT Mode Transition during Power-Down Entry .. | 89 |
| 8.19.4.3 | Asynchronous to Synchronous ODT Mode Transition during Power-Down Exit..... | 92 |
| 8.19.4.4 | Asynchronous to Synchronous ODT Mode during short CKE high and short CKE low periods | 93 |
| 9. | OPERATION MODE | 94 |
| 9.1 | Command Truth Table | 94 |
| 9.2 | CKE Truth Table | 96 |
| 9.3 | Simplified State Diagram..... | 97 |
| 10. | ELECTRICAL CHARACTERISTICS | 98 |
| 10.1 | Absolute Maximum Ratings | 98 |
| 10.2 | Operating Temperature Condition..... | 98 |
| 10.3 | DC & AC Operating Conditions | 98 |
| 10.3.1 | Recommended DC Operating Conditions | 98 |
| 10.4 | Input and Output Leakage Currents | 99 |
| 10.5 | Interface Test Conditions | 99 |
| 10.6 | DC and AC Input Measurement Levels..... | 100 |
| 10.6.1 | DC and AC Input Levels for Single-Ended Command and Address Signals..... | 100 |
| 10.6.2 | DC and AC Input Levels for Single-Ended Data Signals..... | 100 |
| 10.6.3 | Differential swing requirements for clock (CK - CK#) and strobe (DQS - DQS#) | 102 |
| 10.6.4 | Single-ended requirements for differential signals | 103 |
| 10.6.5 | Differential Input Cross Point Voltage | 104 |
| 10.6.6 | Slew Rate Definitions for Single-Ended Input Signals..... | 105 |
| 10.6.7 | Slew Rate Definitions for Differential Input Signals | 105 |
| 10.7 | DC and AC Output Measurement Levels | 106 |
| 10.7.1 | Output Slew Rate Definition and Requirements..... | 106 |
| 10.7.1.1 | Single Ended Output Slew Rate | 107 |
| 10.7.1.2 | Differential Output Slew Rate | 108 |
| 10.8 | 34 Ohm Output Driver DC Electrical Characteristics..... | 109 |
| 10.8.1 | Output Driver Temperature and Voltage sensitivity..... | 111 |
| 10.9 | On-Die Termination (ODT) Levels and Characteristics | 112 |
| 10.9.1 | ODT Levels and I-V Characteristics | 112 |
| 10.9.2 | ODT DC Electrical Characteristics | 113 |
| 10.9.3 | ODT Temperature and Voltage sensitivity | 113 |
| 10.9.4 | Design guide lines for RTT _{PU} and RTT _{PD} | 114 |
| 10.10 | ODT Timing Definitions..... | 115 |
| 10.10.1 | Test Load for ODT Timings..... | 115 |
| 10.10.2 | ODT Timing Definitions | 115 |
| 10.11 | Input/Output Capacitance | 119 |
| 10.12 | Overshoot and Undershoot Specifications..... | 120 |
| 10.12.1 | AC Overshoot /Undershoot Specification for Address and Control Pins: | 120 |
| 10.12.2 | AC Overshoot /Undershoot Specification for Clock, Data, Strobe and Mask Pins: | 120 |
| 10.13 | IDD and IDDQ Specification Parameters and Test Conditions | 121 |
| 10.13.1 | IDD and IDDQ Measurement Conditions | 121 |
| 10.13.2 | IDD Current Specifications | 131 |
| 10.14 | Clock Specification | 132 |
| 10.15 | Speed Bins | 133 |
| 10.15.1 | DDR3L-1333 Speed Bin and Operating Conditions | 133 |
| 10.15.2 | DDR3L-1600 Speed Bin and Operating Conditions | 134 |



| | | |
|---------|--|-----|
| 10.15.3 | DDR3L-1866 Speed Bin and Operating Conditions | 135 |
| 10.15.4 | DDR3L-2133 Speed Bin and Operating Conditions | 136 |
| 10.15.5 | Speed Bin General Notes | 137 |
| 10.16 | AC Characteristics | 138 |
| 10.16.1 | AC Timing and Operating Condition for -09/09I/09J/-11/11I/11J speed grades | 138 |
| 10.16.2 | AC Timing and Operating Condition for -12/12I/12J/-15/15I/15J speed grades | 142 |
| 10.16.3 | Timing Parameter Notes | 146 |
| 10.16.4 | Address / Command Setup, Hold and Derating | 149 |
| 10.16.5 | Data Setup, Hold and Slew Rate Derating | 156 |
| 11. | Backward Compatible to 1.5V DDR3 SDRAM VDD/VDDQ Requirements | 158 |
| 11.1 | Input/Output Functional | 158 |
| 11.2 | Recommended DC Operating Conditions - DDR3L (1.35V) operation..... | 158 |
| 11.3 | Recommended DC Operating Conditions - DDR3 (1.5V) operation..... | 158 |
| 11.4 | VDD/VDDQ Voltage Switch between DDR3L and DDR3..... | 158 |
| 12. | PACKAGE SPECIFICATION | 160 |
| 13. | REVISION HISTORY | 161 |



1. GENERAL DESCRIPTION

The W634GU8MB is a 4G bits DDR3L SDRAM, organized as 67,108,864 words × 8 banks × 8 bits. This device achieves high speed transfer rates up to 2133 MT/s (DDR3L-2133) for various applications. This device is sorted into the following speed grades: -09, -11, -12, -15, 09I, 11I, 12I, 15I, 09J, 11J, 12J and 15J.

The -09 ,09I and 09J speed grades are compliant to the DDR3-2133L (14-14-14) specification (The 09I industrial grade which is guaranteed to support $-40^{\circ}\text{C} \leq \text{T}_{\text{CASE}} \leq 95^{\circ}\text{C}$, the 09J industrial plus grade which is guaranteed to support $-40^{\circ}\text{C} \leq \text{T}_{\text{CASE}} \leq 105^{\circ}\text{C}$).

The -11 ,11I and 11J speed grades are compliant to the DDR3L-1866 (13-13-13) specification (The 11I industrial grade which is guaranteed to support $-40^{\circ}\text{C} \leq \text{T}_{\text{CASE}} \leq 95^{\circ}\text{C}$, the 11J industrial plus grade which is guaranteed to support $-40^{\circ}\text{C} \leq \text{T}_{\text{CASE}} \leq 105^{\circ}\text{C}$).

The -12, 12I and 12J speed grades are compliant to the DDR3L-1600 (11-11-11) specification (The 12I industrial grade which is guaranteed to support $-40^{\circ}\text{C} \leq \text{T}_{\text{CASE}} \leq 95^{\circ}\text{C}$, the 12J industrial plus grade which is guaranteed to support $-40^{\circ}\text{C} \leq \text{T}_{\text{CASE}} \leq 105^{\circ}\text{C}$).

The -15, 15I and 15J speed grades are compliant to the DDR3L-1333 (9-9-9) specification (The 15I industrial grade which is guaranteed to support $-40^{\circ}\text{C} \leq \text{T}_{\text{CASE}} \leq 95^{\circ}\text{C}$, the 15J industrial plus grade which is guaranteed to support $-40^{\circ}\text{C} \leq \text{T}_{\text{CASE}} \leq 105^{\circ}\text{C}$).

The W634GU8MB is designed to comply with the following key DDR3L SDRAM features such as posted CAS#, programmable CAS# Write Latency (CWL), ZQ calibration, on die termination and asynchronous reset. All of the control and address inputs are synchronized with a pair of externally supplied differential clocks. Inputs are latched at the cross point of differential clocks (CK rising and CK# falling). All I/Os are synchronized with a differential DQS-DQS# pair in a source synchronous fashion.

2. FEATURES

- Power Supply: 1.35V (typ.), V_{DD} , $V_{\text{DDQ}} = 1.283\text{V}$ to 1.45V
- Backward compatible to V_{DD} , $V_{\text{DDQ}} = 1.5\text{V} \pm 0.075\text{V}$
- Double Data Rate architecture: two data transfers per clock cycle
- Eight internal banks for concurrent operation
- 8 bit prefetch architecture
- CAS Latency: 5, 6, 7, 8, 9, 10, 11, 13 and 14
- Burst length 8 (BL8) and burst chop 4 (BC4) modes: fixed via mode register (MRS) or selectable On-The-Fly (OTF)
- Programmable read burst ordering: interleaved or nibble sequential
- Bi-directional, differential data strobes (DQS and DQS#) are transmitted / received with data
- Edge-aligned with read data and center-aligned with write data
- DLL aligns DQ and DQS transitions with clock
- Differential clock inputs (CK and CK#)
- Commands entered on each positive CK edge, data and data mask are referenced to both edges of a differential data strobe pair (double data rate)
- Posted CAS with programmable additive latency ($\text{AL} = 0$, $\text{CL} - 1$ and $\text{CL} - 2$) for improved command, address and data bus efficiency
- Read Latency = Additive Latency plus CAS Latency ($\text{RL} = \text{AL} + \text{CL}$)



- Auto-precharge operation for read and write bursts
- Refresh, Self-Refresh, Auto Self-refresh (ASR) and Partial array self refresh (PASR)
- Precharged Power Down and Active Power Down
- Data masks (DM) for write data
- Programmable CAS Write Latency (CWL) per operating frequency
- Write Latency $WL = AL + CWL$
- Multi purpose register (MPR) for readout a predefined system timing calibration bit sequence
- System level timing calibration support via write leveling and MPR read pattern
- ZQ Calibration for output driver and ODT using external reference resistor to ground
- Asynchronous RESET# pin for Power-up initialization sequence and reset function
- Programmable on-die termination (ODT) for data, data mask and differential strobe pairs
- Dynamic ODT mode for improved signal integrity and preselectable termination impedances during writes
- 1K Byte page size
- Packaged in VFBGA 78 Ball (9x10.5 mm² with thickness of 1.0 mm) - (Window BGA Type), using lead free materials with RoHS compliant

3. ORDER INFORMATION

| PART NUMBER | SPEED GRADE | OPERATING TEMPERATURE |
|--------------|-----------------------|-----------------------|
| W634GU8MB-09 | DDR3L-2133 (14-14-14) | 0°C ≤ TCASE ≤ 95°C |
| W634GU8MB09I | DDR3L-2133 (14-14-14) | -40°C ≤ TCASE ≤ 95°C |
| W634GU8MB09J | DDR3L-2133 (14-14-14) | -40°C ≤ TCASE ≤ 105°C |
| W634GU8MB-11 | DDR3L-1866 (13-13-13) | 0°C ≤ TCASE ≤ 95°C |
| W634GU8MB11I | DDR3L-1866 (13-13-13) | -40°C ≤ TCASE ≤ 95°C |
| W634GU8MB11J | DDR3L-1866 (13-13-13) | -40°C ≤ TCASE ≤ 105°C |
| W634GU8MB-12 | DDR3L-1600 (11-11-11) | 0°C ≤ TCASE ≤ 95°C |
| W634GU8MB12I | DDR3L-1600 (11-11-11) | -40°C ≤ TCASE ≤ 95°C |
| W634GU8MB12J | DDR3L-1600 (11-11-11) | -40°C ≤ TCASE ≤ 105°C |
| W634GU8MB-15 | DDR3L-1333 (9-9-9) | 0°C ≤ TCASE ≤ 95°C |
| W634GU8MB15I | DDR3L-1333 (9-9-9) | -40°C ≤ TCASE ≤ 95°C |
| W634GU8MB15J | DDR3L-1333 (9-9-9) | -40°C ≤ TCASE ≤ 105°C |



4. KEY PARAMETERS

| Speed Bin | | DDR3L-2133 | | DDR3L-1866 | | DDR3L-1600 | | DDR3L-1333 | | Unit | |
|---|----------------------|-------------------------------|-----------|---------------------|-----------|---------------------------------|-----------|--------------------------------|-----------|---------------------|----|
| CL-nRCD-nRP | | 14-14-14 | | 13-13-13 | | 11-11-11 | | 9-9-9 | | | |
| Part Number Extension | | -09/09I/09J | | -11/11I/11J | | -12/12I/12J | | -15/15I/15J | | | |
| Parameter | Sym. | Min. | Max. | Min. | Max. | Min. | Max. | Min. | Max. | | |
| Maximum operating frequency using maximum allowed settings for Sup_CL and Sup_CWL | fCKMAX | - | 1066 | - | 933 | - | 800 | - | 667 | MHz | |
| Internal read command to first data | tAA | 13.09 | 20 | 13.91 | 20 | 13.75 (13.125) ⁺⁵ | 20 | 13.5 (13.125) ⁺⁵ | 20 | nS | |
| ACT to internal read or write delay time | tRCD | 13.09 | - | 13.91 | - | 13.75 (13.125) ⁺⁵ | - | 13.5 (13.125) ⁺⁵ | - | nS | |
| PRE command period | tRP | 13.09 | - | 13.91 | - | 13.75 (13.125) ⁺⁵ | - | 13.5 (13.125) ⁺⁵ | - | nS | |
| ACT to ACT or REF command period | tRC | 46.09 | - | 47.91 | - | 48.75 (48.125) ⁺⁵ | - | 49.5 (49.125) ⁺⁵ | - | nS | |
| ACT to PRE command period | tRAS | 33 | 9 * tREFI | 34 | 9 * tREFI | 35 | 9 * tREFI | 36 | 9 * tREFI | nS | |
| CL = 5 | CWL = 5 | tCK(AVG) | 3.0 | 3.3 | 3.0 | 3.3 | 3.0 | 3.3 | 3.0 | 3.3 | nS |
| CL = 6 | CWL = 5 | tCK(AVG) | 2.5 | 3.3 | 2.5 | 3.3 | 2.5 | 3.3 | 2.5 | 3.3 | nS |
| CL = 7 | CWL = 6 | tCK(AVG) | 1.875 | < 2.5 | Reserved | | 1.875 | < 2.5 | 1.875 | < 2.5 | nS |
| CL = 8 | CWL = 6 | tCK(AVG) | 1.875 | < 2.5 | 1.875 | < 2.5 | 1.875 | < 2.5 | 1.875 | < 2.5 | nS |
| CL = 9 | CWL = 7 | tCK(AVG) | 1.5 | < 1.875 | Reserved | | 1.5 | < 1.875 | 1.5 | < 1.875 | nS |
| CL = 10 | CWL = 7 | tCK(AVG) | 1.5 | < 1.875 | 1.5 | < 1.875 | 1.5 | < 1.875 | 1.5 | < 1.875 | nS |
| CL = 11 | CWL = 8 | tCK(AVG) | 1.25 | < 1.5 | Reserved | | 1.25 | < 1.5 | Reserved | | nS |
| CL = 13 | CWL = 9 | tCK(AVG) | 1.07 | < 1.25 | 1.07 | < 1.25 | Reserved | | Reserved | | nS |
| CL = 14 | CWL = 10 | tCK(AVG) | 0.938 | < 1.07 | Reserved | | Reserved | | Reserved | | nS |
| Supported CL Settings | Sup_CL | 5, 6, 7, 8, 9, 10, 11, 13, 14 | | 5, 6, 8, 10, 13 | | 5, 6, (7), 8, (9), 10, 11 | | 5, 6, (7), 8, 9, 10 | | nCK | |
| Supported CWL Settings | Sup_CWL | 5, 6, 7, 8, 9, 10 | | 5, 6, 7, 9 | | 5, 6, 7, 8 | | 5, 6, 7 | | nCK | |
| Average periodic refresh Interval | -40°C ≤ TCASE ≤ 85°C | tREFI | - | 7.8 ^{*2,3} | - | 7.8 ^{*2,3} | - | 7.8 ^{*2,3} | - | 7.8 ^{*2,3} | μS |
| | 0°C ≤ TCASE ≤ 85°C | | - | 7.8 ^{*1} | - | 7.8 ^{*1} | - | 7.8 ^{*1} | - | 7.8 ^{*1} | μS |
| | 85°C < TCASE ≤ 95°C | | - | 3.9 ^{*4} | - | 3.9 ^{*4} | - | 3.9 ^{*4} | - | 3.9 ^{*4} | μS |
| | 95°C < TCASE ≤ 105°C | | - | 3.9 ^{*4} | - | 3.9 ^{*4} | - | 3.9 ^{*4} | - | 3.9 ^{*4} | μS |
| Operating One Bank Active-Precharge Current | IDD0 | - | 218 | - | 200 | - | 182 | - | 164 | mA | |
| Operating One Bank Active-Read-Precharge Current | IDD1 | - | 255 | - | 234 | - | 211 | - | 188 | mA | |
| Operating Burst Read Current | IDD4R | - | 356 | - | 328 | - | 297 | - | 267 | mA | |
| Operating Burst Write Current | IDD4W | - | 380 | - | 348 | - | 315 | - | 282 | mA | |
| Burst Refresh Current | IDD5B | - | 254 | - | 246 | - | 234 | - | 226 | mA | |
| Normal Temperature Self-Refresh Current | IDD6 | - | 17 | - | 17 | - | 17 | - | 17 | mA | |
| Operating Bank Interleave Current | IDD7 | - | 499 | - | 452 | - | 403 | - | 355 | mA | |

Notes: (Field value contents in blue font or parentheses are optional AC parameter and CL setting)

- All speed grades support 0°C ≤ TCASE ≤ 85°C with full JEDEC AC and DC specifications.
- The -09, -11, -12 and -15 speed grades, -40°C ≤ TCASE < 0°C is not available.
- The 09I, 09J, 11I, 11J, 12I, 12J, 15I and 15J speed grades support -40°C ≤ TCASE ≤ 85°C with full JEDEC AC and DC specifications.
- The -09, 09I, -11, 11I, -12, 12I, -15 and 15I speed grades, TCASE is able to extend to 95°C. The 09J, 11J, 12J and 15J speed grades, TCASE is able to extend to 105°C. They are with doubling Auto Refresh commands in frequency to a 32 mS period (tREFI = 3.9 μS), it is mandatory to either use the Manual Self-Refresh mode with Extended Temperature Range capability (MR2 A6 = 0_b and MR2 A7 = 1_b) or enable the Auto Self-Refresh mode (ASR) (MR2 A6 = 1_b, MR2 A7 is don't care).
- For devices supporting optional down binning to CL=7 and CL=9, tAA/tRCD/tRP min must be 13.125 nS or lower. SPD settings must be programmed to match. For example, DDR3L-1333 (9-9-9) devices supporting down binning to DDR3L-1066 (7-7-7) should program 13.125 nS in SPD bytes for tAamin (Byte 16), tRCDmin (Byte 18), and tRPmin (Byte 20). DDR3L-1600 (11-11-11) devices supporting down binning to DDR3L-1333 (9-9-9) or DDR3L-1066 (7-7-7) should program 13.125 nS in SPD bytes for tAamin (Byte16), tRCDmin (Byte 18), and tRPmin (Byte 20). Once tRP (Byte 20) is programmed to 13.125 nS, tRCmin (Byte 21, 23) also should be programmed accordingly. For example, 49.125nS (tRASmin + tRPmin = 36 nS + 13.125 nS) for DDR3L-1333 (9-9-9) and 48.125 nS (tRASmin + tRPmin = 35 nS + 13.125 nS) for DDR3L-1600 (11-11-11).



5. BALL CONFIGURATION

| 1 | 2 | 3 | 4 | 5 | 6 | 7 | 8 | 9 |
|--------|--------|------|---|---|---|----------|--------|------|
| VSS | VDD | NC | | A | | NU/TDQS# | VSS | VDD |
| VSS | VSSQ | DQ0 | | B | | DM/TDQS | VSSQ | VDDQ |
| VDDQ | DQ2 | DQS | | C | | DQ1 | DQ3 | VSSQ |
| VSSQ | DQ6 | DQS# | | D | | VDD | VSS | VSSQ |
| VREFDQ | VDDQ | DQ4 | | E | | DQ7 | DQ5 | VDDQ |
| NC | VSS | RAS# | | F | | CK | VSS | NC |
| ODT | VDD | CAS# | | G | | CK# | VDD | CKE |
| NC | CS# | WE# | | H | | A10/AP | ZQ | NC |
| VSS | BA0 | BA2 | | J | | A15 | VREFCA | VSS |
| VDD | A3 | A0 | | K | | A12/BC# | BA1 | VDD |
| VSS | A5 | A2 | | L | | A1 | A4 | VSS |
| VDD | A7 | A9 | | M | | A11 | A6 | VDD |
| VSS | RESET# | A13 | | N | | A14 | A8 | VSS |



6. BALL DESCRIPTION

| BALL NUMBER | SYMBOL | TYPE | DESCRIPTION |
|--|-----------------|-------|---|
| F7, G7 | CK, CK# | Input | Clock: CK and CK# are differential clock inputs. All address and control input signals are sampled on the crossing of the positive edge of CK and negative edge of CK#. |
| G9 | CKE | Input | Clock Enable: CKE HIGH activates, and CKE Low deactivates, internal clock signals and device input buffers and output drivers. Taking CKE Low provides Precharge Power Down and Self-Refresh operation (all banks idle), or Active Power Down (row Active in any bank). CKE is asynchronous for Self-Refresh exit. After VREPCA and VREFDQ have become stable during the power on and initialization sequence, they must be maintained during all operations (including Self-Refresh). CKE must be maintained high throughout read and write accesses. Input buffers, excluding CK, CK#, ODT and CKE, are disabled during power down. Input buffers, excluding CKE, are disabled during Self-Refresh. |
| H2 | CS# | Input | Chip Select: All commands are masked when CS# is registered HIGH. CS# provides for external Rank selection on systems with multiple Ranks. CS# is considered part of the command code. |
| G1 | ODT | Input | On Die Termination: ODT (registered HIGH) enables termination resistance internal to the DDR3L SDRAM. When enabled, ODT is applied to each DQ, DQS, DQS# and DM/TDQS, NU/TDQS# (When TDQS is enabled via Mode Register A11=1 in MR1) signal. The ODT signal will be ignored if Mode Registers MR1 and MR2 are programmed to disable ODT and during Self Refresh. |
| F3, G3, H3 | RAS#, CAS#, WE# | Input | Command Inputs: RAS#, CAS# and WE# (along with CS#) define the command being entered. |
| B7 | DM | Input | Input Data Mask: DM is an input mask signal for write data. Input data is masked when DM is sampled HIGH coincident with that input data during a Write access. DM is sampled on both edges of DQS. The function of DM or TDQS/TDQS# is enabled by Mode Register A11 setting in MR1. |
| J2, K8, J3 | BA0-BA2 | Input | Bank Address Inputs: BA0-BA2 define to which bank an Active, Read, Write, or Precharge command is being applied. Bank address also determines which mode register is to be accessed during a MRS cycle. |
| K3, L7, L3, K2, L8, L2, M8, M2, N8, M3, H7, M7, K7, N3, N7, J7 | A0-A15 | Input | Address Inputs: Provide the row address for Active commands and the column address for Read/Write commands to select one location out of the memory array in the respective bank. (A10/AP and A12/BC# have additional functions; see below). The address inputs also provide the op-code during Mode Register Set command. Row address: A0-A15. Column address: A0-A9. |
| H7 | A10/AP | Input | Auto-precharge: A10 is sampled during Read/Write commands to determine whether Auto-precharge should be performed to the accessed bank after the Read/Write operation. (HIGH: Auto-precharge; LOW: no Auto-precharge). A10 is sampled during a Precharge command to determine whether the Precharge applies to one bank (A10 LOW) or all banks (A10 HIGH). If only one bank is to be precharged, the bank is selected by bank addresses. |
| K7 | A12/BC# | Input | Burst Chop: A12/BC# is sampled during Read and Write commands to determine if burst chop (on-the-fly) will be performed. (HIGH, no burst chop; LOW: burst chopped). See section 9.1 "Command Truth Table" on page 94 for details. |
| N2 | RESET# | Input | Active Low Asynchronous Reset: Reset is active when RESET# is LOW, and inactive when RESET# is HIGH. RESET# must be HIGH during normal operation. RESET# is a CMOS rail to rail signal with DC high and low at 80% and 20% of VDD, RESET# active is destructive to data contents. |



| | | | |
|--|-------------|--------------|---|
| B3, C7, C2, C8, E3, E8, D2, E7 | DQ0-DQ7 | Input/Output | Data Input/Output: Lower byte of Bi-directional data bus. |
| C3, D3 | DQS, DQS# | Input/Output | Data Strobe: Output with read data, input with write data. Edge-aligned with read data, centered in write data. DQS is paired with DQS# to provide differential pair signaling to the system during read and write data transfer. DDR3L SDRAM supports differential data strobe only and does not support single-ended. |
| B7, A7 | TDQS, TDQS# | Output | Termination Data Strobe: When TDQS enabled via Mode Register A11 = 1 in MR1, the DRAM will enable the same termination resistance function on TDQS/TDQS# that is applied to DQS/DQS#. When TDQS disabled via mode register A11 = 0 in MR1, DM/TDQS will provide the data mask function and TDQS# is not used. |
| A2, A9, D7, G2, G8, K1, K9, M1, M9 | VDD | Supply | Power Supply: 1.283V to 1.45V operational. |
| A1, A8, B1, D8, F2, F8, J1, J9, L1, L9, N1, N9 | VSS | Supply | Ground. |
| B9, C1, E2, E9 | VDDQ | Supply | DQ Power Supply: 1.283V to 1.45V operational. |
| B2, B8, C9, D1, D9 | VSSQ | Supply | DQ Ground. |
| E1 | VREFDQ | Supply | Reference voltage for DQ. |
| J8 | VREFCA | Supply | Reference voltage for Control, Command and Address inputs. |
| H8 | ZQ | Supply | External reference ball for output drive and On-Die Termination Impedance calibration: This ball needs an external $240 \Omega \pm 1\%$ external resistor (RZQ), connected from this ball to ground to perform ZQ calibration. |
| A3, F1, F9, H1, H9 | NC | | No Connect: No internal electrical connection is present. |

Note:

Input only balls (BA0-BA2, A0-A15, RAS#, CAS#, WE#, CS#, CKE, ODT and RESET#) do not supply termination.



7. BLOCK DIAGRAM





8. FUNCTIONAL DESCRIPTION

8.1 Basic Functionality

The DDR3L SDRAM is a high-speed dynamic random-access memory internally configured as an eight-bank DRAM. The DDR3L SDRAM uses an 8n prefetch architecture to achieve high-speed operation. The 8n prefetch architecture is combined with an interface designed to transfer two data words per clock cycle at the I/O pins. A single read or write operation for the DDR3L SDRAM consists of a single 8n-bit wide, four clock data transfer at the internal DRAM core and eight corresponding n-bit wide, one-half clock cycle data transfers at the I/O pins.

Read and write operation to the DDR3L SDRAM are burst oriented, start at a selected location, and continue for a burst length of eight or a 'chopped' burst of four in a programmed sequence. Operation begins with the registration of an Active command, which is then followed by a Read or Write command. The address bits registered coincident with the Active command are used to select the bank and row to be activated (BA0-BA2 select the bank; A0-A15 select the row). The address bits registered coincident with the Read or Write command are used to select the starting column location for the burst operation, determine if the auto precharge command is to be issued (via A10), and select BC4 or BL8 mode 'on the fly' (via A12) if enabled in the mode register.

Prior to normal operation, the DDR3L SDRAM must be powered up and initialized in a predefined manner. The following sections provide detailed information covering device reset and initialization, register definition, command descriptions, and device operation.

8.2 RESET and Initialization Procedure

8.2.1 Power-up Initialization Sequence

The following sequence is required for POWER UP and Initialization.

1. Apply power (RESET# is recommended to be maintained below $0.2 * V_{DD}$; all other inputs may be undefined). RESET# needs to be maintained for minimum 200 μ S with stable power. CKE is pulled "Low" any time before RESET# being de-asserted (min. time 10 nS). The power voltage ramp time between 300 mV to V_{DD} min. must be no greater than 200 mS; and during the ramp, $V_{DD} \geq V_{DDQ}$ and $(V_{DD} - V_{DDQ}) < 0.3$ Volts.
 - V_{DD} and V_{DDQ} are driven from a single power converter output, AND
 - The voltage levels on all pins other than V_{DD} , V_{DDQ} , V_{SS} , V_{SSQ} must be less than or equal to V_{DDQ} and V_{DD} on one side and must be larger than or equal to V_{SSQ} and V_{SS} on the other side. In addition, V_{TT} is limited to 0.95 V max once power ramp is finished, AND
 - V_{REF} tracks $V_{DDQ}/2$.

OR

- Apply V_{DD} without any slope reversal before or at the same time as V_{DDQ} .
 - Apply V_{DDQ} without any slope reversal before or at the same time as V_{TT} & V_{REF} .
 - The voltage levels on all pins other than V_{DD} , V_{DDQ} , V_{SS} , V_{SSQ} must be less than or equal to V_{DDQ} and V_{DD} on one side and must be larger than or equal to V_{SSQ} and V_{SS} on the other side.
2. After RESET# is de-asserted, wait for another 500 μ S until CKE becomes active. During this time, the DRAM will start internal state initialization; this will be done independently of external clocks.
 3. Clocks (CK, CK#) need to be started and stabilized for at least 10 nS or 5 tCK (which is larger) before CKE goes active. Since CKE is a synchronous signal, the corresponding set up time to clock (tIS) must be met. Also, a NOP or Deselect command must be registered (with tIS set up time to clock) before CKE goes active. Once the CKE is registered "High" after Reset, CKE needs to be continuously registered "High" until the initialization sequence is finished, including expiration of tDLLK and tZQinit.



4. The DDR3L SDRAM keeps its on-die termination in high-impedance state as long as RESET# is asserted. Further, the SDRAM keeps its on-die termination in high impedance state after RESET# deassertion until CKE is registered HIGH. The ODT input signal may be in undefined state until t_{IS} before CKE is registered HIGH. When CKE is registered HIGH, the ODT input signal may be statically held at either LOW or HIGH. If Rtt_Nom is to be enabled in MR1, the ODT input signal must be statically held LOW. In all cases, the ODT input signal remains static until the power up initialization sequence is finished, including the expiration of t_{DLLK} and t_{ZQinit} .
5. After CKE is being registered high, wait minimum of Reset CKE Exit time, t_{XPR} , before issuing the first MRS command to load mode register. ($t_{XPR} = \max(t_{XS}; 5 * t_{CK})$)
6. Issue MRS Command to load MR2 with all application settings. (To issue MRS command for MR2, provide “Low” to BA0 and BA2, “High” to BA1.)
7. Issue MRS Command to load MR3 with all application settings. (To issue MRS command for MR3, provide “Low” to BA2, “High” to BA0 and BA1.)
8. Issue MRS Command to load MR1 with all application settings and DLL enabled. (To issue “DLL Enable” command, provide “Low” to A0, “High” to BA0 and “Low” to BA1-BA2).
9. Issue MRS Command to load MR0 with all application settings and “DLL reset”. (To issue DLL reset command, provide “High” to A8 and “Low” to BA0-2).
10. Issue ZQCL command to starting ZQ calibration.
11. Wait for both t_{DLLK} and t_{ZQinit} completed.
12. The DDR3L SDRAM is now ready for normal operation.



Note:

1. From time point “Td” until “Tk” NOP or DES commands must be applied between MRS and ZQCL commands.

Figure 1 – Reset and Initialization Sequence at Power-on Ramping



8.2.2 Reset Initialization with Stable Power

The following sequence is required for RESET at no power interruption initialization.

1. Asserted RESET below $0.2 \cdot V_{DD}$ anytime when reset is needed (all other inputs may be undefined). RESET needs to be maintained for minimum 100 nS. CKE is pulled "LOW" before RESET being de-asserted (min. time 10 nS).
2. Follow Power-up Initialization Sequence steps 2 to 11.
3. The Reset sequence is now completed; DDR3L SDRAM is ready for normal operation.



Note:

1. From time point "Td" until "Tk" NOP or DES commands must be applied between MRS and ZQCL commands.

Figure 2 – Reset Procedure at Power Stable Condition



8.3 Programming the Mode Registers

For application flexibility, various functions, features, and modes are programmable in four Mode Registers, provided by the DDR3L SDRAM, as user defined variables and they must be programmed via a Mode Register Set (MRS) command. As the default values of the Mode Registers (MR#) are not defined, contents of Mode Registers must be fully initialized and/or re-initialized, i.e., written, after power up and/or reset for proper operation. Also the contents of the Mode Registers can be altered by re-executing the MRS command during normal operation. When programming the mode registers, even if the user chooses to modify only a sub-set of the MRS fields, all address fields within the accessed mode register must be redefined when the MRS command is issued. MRS command and DLL Reset do not affect array contents, which mean these commands can be executed any time after power-up without affecting the array contents.

The mode register set command cycle time, tMRD is required to complete the write operation to the mode register and is the minimum time required between two MRS commands shown in Figure 3.



Figure 3 – tMRD Timing



The MRS command to Non-MRS command delay, tMOD is required for the DRAM to update the features, except DLL reset, and is the minimum time required from a MRS command to a non-MRS command excluding NOP and DES shown in Figure 4.

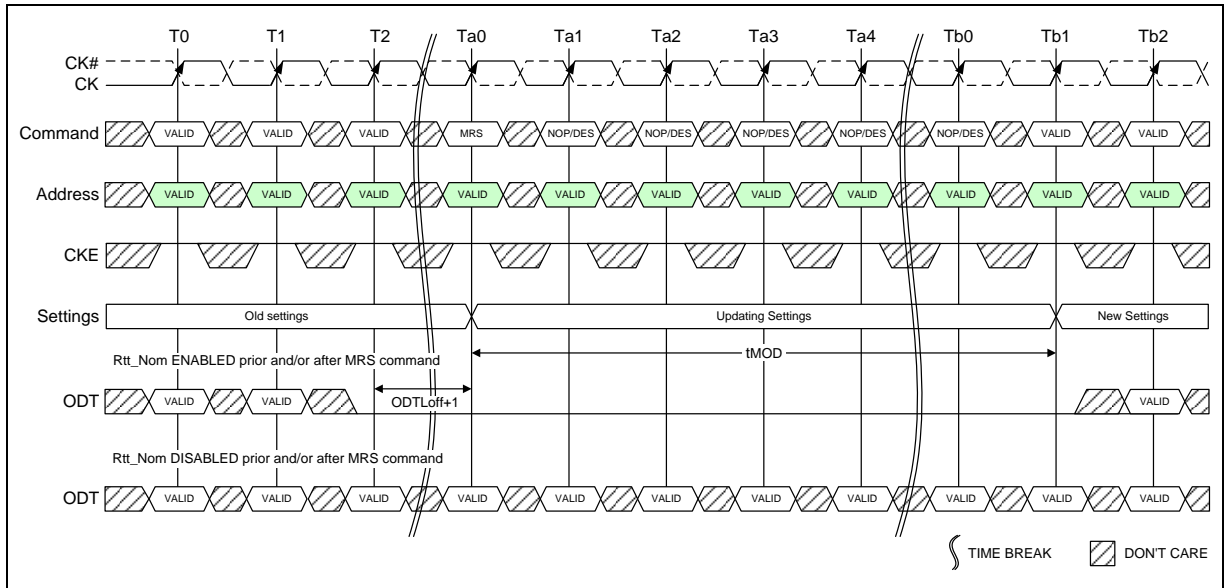


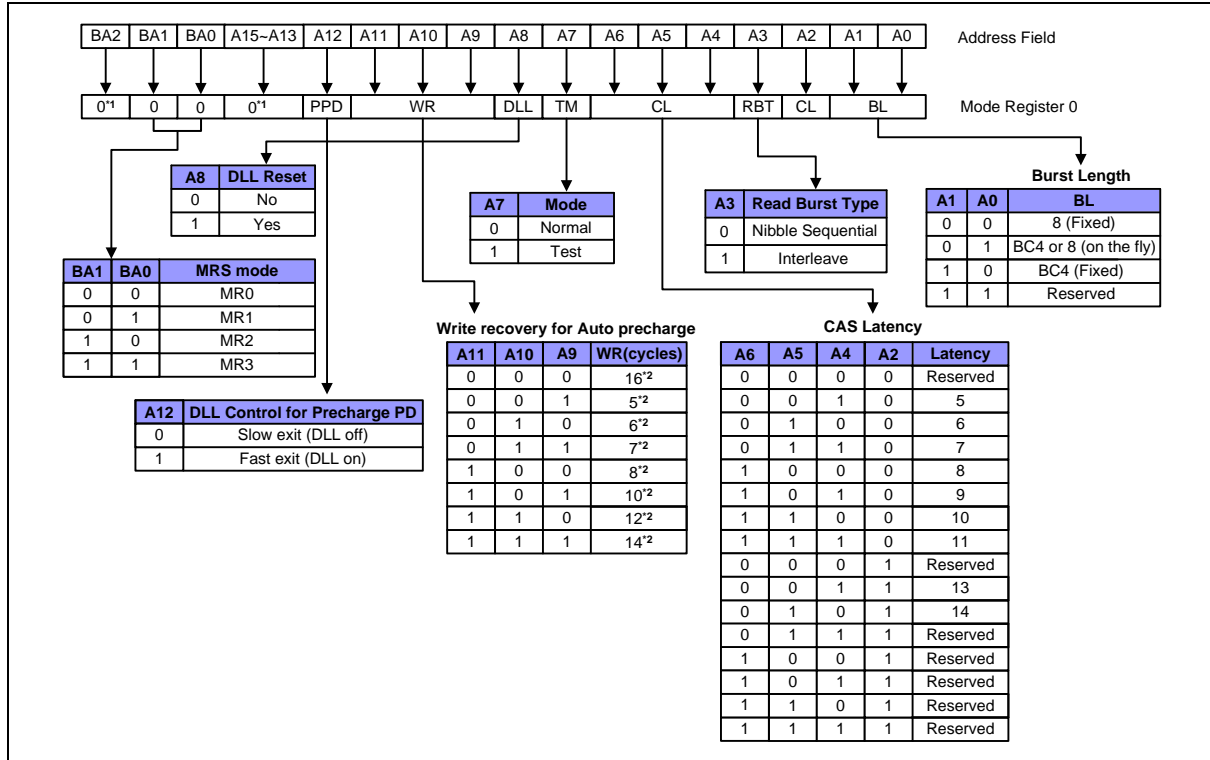
Figure 4 – tMOD Timing

The mode register contents can be changed using the same command and timing requirements during normal operation as long as the DRAM is in idle state, i.e., all banks are in the precharged state with tRP satisfied, all data bursts are completed and CKE is high prior to writing into the mode register. If the Rtt_Nom Feature is enabled in the Mode Register prior and/or after a MRS command, the ODT signal must continuously be registered LOW ensuring RTT is in an off state prior to the MRS command. The ODT signal may be registered high after tMOD has expired. If the Rtt_Nom feature is disabled in the Mode Register prior and after a MRS command, the ODT signal can be registered either LOW or HIGH before, during and after the MRS command. The mode registers are divided into various fields depending on the functionality and/or modes.



8.3.1 Mode Register MR0

The mode register MR0 stores the data for controlling various operating modes of DDR3L SDRAM. It controls burst length, read burst type, CAS latency, test mode, DLL reset, WR and DLL control for precharge Power Down, which include various vendor specific options to make DDR3L SDRAM useful for various applications. The mode register is written by asserting low on CS#, RAS#, CAS#, WE#, BA0, BA1 and BA2, while controlling the states of address pins according to the Figure 5 below.



Notes:

1. BA2 and A13~ A15 are reserved for future use and must be programmed to “0” during MRS.
2. WR (write recovery for Auto precharge)min in clock cycles is calculated by dividing tWR (in nS) by tCK (in nS) and rounding up to the next integer: $WR_{min}[\text{cycles}] = \text{Roundup}(tWR[\text{nS}] / tCK[\text{avg}][\text{nS}])$. The WR value in the mode register must be programmed to be equal or larger than WRmin. The programmed WR value is used with tRP to determine tDAL.
3. The table only shows the encodings for a given Cas Latency. For actual supported CAS Latency, please refer to “Speed Bins” tables for each frequency.
4. The table only shows the encodings for Write Recovery. For actual Write recovery timing, please refer to AC timing table.

Figure 5 – MR0 Definition

8.3.1.1 Burst Length, Type and Order

Accesses within a given burst may be programmed to sequential or interleaved order. The burst type is selected via bit A3 as shown in Figure 5. The ordering of accesses within a burst is determined by the burst length, burst type, and the starting column address as shown in Table 1. The burst length is defined by bits A0-A1. Burst length options include fixed BC4, fixed BL8 and ‘on the fly’ which allows BC4 or BL8 to be selected coincident with the registration of a Read or Write command via A12/BC#.



Table 1 – Burst Type and Burst Order

| Burst Length | READ/ WRITE | Starting Column Address (A2, A1, A0) | Burst type = Sequential (decimal) A3 = 0 | Burst type = Interleaved (decimal) A3 = 1 | NOTES |
|--------------|----------------|---|--|---|------------|
| 4 Chop | READ | 0 0 0 | 0,1,2,3,T,T,T,T | 0,1,2,3,T,T,T,T | 1, 2, 3 |
| | | 0 0 1 | 1,2,3,0,T,T,T,T | 1,0,3,2,T,T,T,T | 1, 2, 3 |
| | | 0 1 0 | 2,3,0,1,T,T,T,T | 2,3,0,1,T,T,T,T | 1, 2, 3 |
| | | 0 1 1 | 3,0,1,2,T,T,T,T | 3,2,1,0,T,T,T,T | 1, 2, 3 |
| | | 1 0 0 | 4,5,6,7,T,T,T,T | 4,5,6,7,T,T,T,T | 1, 2, 3 |
| | | 1 0 1 | 5,6,7,4,T,T,T,T | 5,4,7,6,T,T,T,T | 1, 2, 3 |
| | | 1 1 0 | 6,7,4,5,T,T,T,T | 6,7,4,5,T,T,T,T | 1, 2, 3 |
| | 1 1 1 | 7,4,5,6,T,T,T,T | 7,6,5,4,T,T,T,T | 1, 2, 3 | |
| | WRITE | 0,V,V | 0,1,2,3,X,X,X,X | 0,1,2,3,X,X,X,X | 1, 2, 4, 5 |
| 1,V,V | | 4,5,6,7,X,X,X,X | 4,5,6,7,X,X,X,X | 1, 2, 4, 5 | |
| 8 | READ | 0 0 0 | 0,1,2,3,4,5,6,7 | 0,1,2,3,4,5,6,7 | 2 |
| | | 0 0 1 | 1,2,3,0,5,6,7,4 | 1,0,3,2,5,4,7,6 | 2 |
| | | 0 1 0 | 2,3,0,1,6,7,4,5 | 2,3,0,1,6,7,4,5 | 2 |
| | | 0 1 1 | 3,0,1,2,7,4,5,6 | 3,2,1,0,7,6,5,4 | 2 |
| | | 1 0 0 | 4,5,6,7,0,1,2,3 | 4,5,6,7,0,1,2,3 | 2 |
| | | 1 0 1 | 5,6,7,4,1,2,3,0 | 5,4,7,6,1,0,3,2 | 2 |
| | | 1 1 0 | 6,7,4,5,2,3,0,1 | 6,7,4,5,2,3,0,1 | 2 |
| | 1 1 1 | 7,4,5,6,3,0,1,2 | 7,6,5,4,3,2,1,0 | 2 | |
| | WRITE | V,V,V | 0,1,2,3,4,5,6,7 | 0,1,2,3,4,5,6,7 | 2, 4 |

Notes:

- In case of burst length being fixed to 4 by MR0 setting, the internal write operation starts two clock cycles earlier than for the BL8 mode. This means that the starting point for tWR and tWTR will be pulled in by two clocks. In case of burst length being selected on-the-fly via A12/BC#, the internal write operation starts at the same point in time like a burst of 8 write operation. This means that during on-the-fly control, the starting point for tWR and tWTR will not be pulled in by two clocks.
- 0...7 bit number is value of CA[2:0] that causes this bit to be the first read during a burst.
- T: Output driver for data and strobes are in high impedance.
- V: a valid logic level (0 or 1), but respective buffer input ignores level on input pins.
- X: Don't Care.

8.3.1.2 CAS Latency

The CAS Latency is defined by MR0 (bits A2, A4, A5 and A6) as shown in Figure 5. CAS Latency is the delay, in clock cycles, between the internal Read command and the availability of the first bit of output data. DDR3L SDRAM does not support any half-clock latencies. The overall Read Latency (RL) is defined as Additive Latency (AL) + CAS Latency (CL); $RL = AL + CL$. For more information on the supported CL and AL settings based on the operating clock frequency, refer to section 10.15 “**Speed Bins**” on page 133. For detailed Read operation refer to section 8.13 “**READ Operation**” on page 43.

8.3.1.3 Test Mode

The normal operating mode is selected by MR0 (bit A7 = 0) and all other bits set to the desired values shown in Figure 5. Programming bit A7 to a ‘1’ places the DDR3L SDRAM into a test mode that is only used by the DRAM Manufacturer and should NOT be used. No operations or functionality is specified if A7 = 1.

8.3.1.4 DLL Reset

The DLL Reset bit is self-clearing, meaning that it returns back to the value of ‘0’ after the DLL reset function has been issued. Once the DLL is enabled, a subsequent DLL Reset should be applied. Any time that the DLL reset function is used, tDLLK must be met before any functions that require the DLL can be used (i.e., Read commands or ODT synchronous operations).



8.3.1.5 Write Recovery

The programmed WR (bits A9, A10 and A11) is used for the auto precharge feature along with tRP to determine tDAL. WR (write recovery for auto-precharge) min in clock cycles is calculated by dividing tWR (in nS) by tCK(avg) (in nS) and rounding up to the next integer: WRmin[cycles] = Roundup(tWR[nS]/tCK(avg)[nS]). The WR must be programmed to be equal to or larger than tWR(min).

8.3.1.6 Precharge PD DLL

MR0 (bit A12) is used to select the DLL usage during precharge power down mode. When MR0 (A12 = 0), or 'slow-exit', the DLL is frozen after entering precharge power down (for potential power savings) and upon exit requires tXPDLL to be met prior to the next valid command. When MR0 (A12 = 1), or 'fast-exit', the DLL is maintained after entering precharge power down and upon exiting power down requires tXP to be met prior to the next valid command.

8.3.2 Mode Register MR1

The Mode Register MR1 stores the data for enabling or disabling the DLL, output driver strength, Rtt_Nom impedance, additive latency, Write leveling enable, TDQS enable and Qoff. The Mode Register 1 is written by asserting low on CS#, RAS#, CAS#, WE#, high on BA0 and low on BA1 and BA2, while controlling the states of address pins according to the Figure 6 below.



Notes:

1. BA2, A8, A10 and, A13~A15 are reserved for future use and must be programmed to "0" during MRS.
2. Outputs disabled - DQs, DQSs, DQS#s.
3. In Write leveling Mode (MR1 A[7] = 1) with MR1 A[12]=1, all Rtt_Nom settings are allowed; in Write Leveling Mode (MR1 A[7] = 1) with MR1 A[12]=0, only Rtt_Nom settings of RZQ/2, RZQ/4 and RZQ/6 are allowed.
4. If Rtt_Nom is used during Writes, only the values RZQ/2, RZQ/4 and RZQ/6 are allowed.

Figure 6 – MR1 Definition



8.3.2.1 DLL Enable/Disable

The DLL must be enabled for normal operation. DLL enable is required during power up initialization, and upon returning to normal operation after having the DLL disabled. During normal operation (DLL-on) with MR1 (A0 = 0), the DLL is automatically disabled when entering Self Refresh operation and is automatically re-enabled upon exit of Self Refresh operation. Any time the DLL is enabled and subsequently reset, tDLLK clock cycles must occur before a Read or synchronous ODT command can be issued to allow time for the internal clock to be synchronized with the external clock. Failing to wait for synchronization to occur may result in a violation of the tDQSK, tAON or tAOF parameters. During tDLLK, CKE must continuously be registered high. DDR3L SDRAM does not require DLL for any Write operation, except when Rtt_WR is enabled and the DLL is required for proper ODT operation. For more detailed information on DLL Disable operation refer to section 8.6 “**DLL-off Mode**” on page 25.

The direct ODT feature is not supported during DLL-off mode. The on-die termination resistors must be disabled by continuously registering the ODT pin low and/or by programming the Rtt_Nom bits MR1{A9,A6,A2} to {0,0,0} via a mode register set command during DLL-off mode.

The dynamic ODT feature is not supported at DLL-off mode. User must use MRS command to set Rtt_WR, MR2 {A10, A9} = {0,0}, to disable Dynamic ODT externally.

8.3.2.2 Output Driver Impedance Control

The output driver impedance of the DDR3L SDRAM device is selected by MR1 (bits A1 and A5) as shown in Figure 6.

8.3.2.3 ODT RTT Values

DDR3L SDRAM is capable of providing two different termination values (Rtt_Nom and Rtt_WR). The nominal termination value Rtt_Nom is programmed in MR1. A separate value (Rtt_WR) may be programmed in MR2 to enable a unique RTT value when ODT is enabled during writes. The Rtt_WR value can be applied during writes even when Rtt_Nom is disabled.

8.3.2.4 Additive Latency (AL)

Additive Latency (AL) operation is supported to make command and data bus efficient for sustainable bandwidths in DDR3L SDRAM. In this operation, the DDR3L SDRAM allows a read or write command (either with or without auto-precharge) to be issued immediately after the active command. The command is held for the time of the Additive Latency (AL) before it is issued inside the device. The Read Latency (RL) is controlled by the sum of the AL and CAS Latency (CL) register settings. Write Latency (WL) is controlled by the sum of the AL and CAS Write Latency (CWL) register settings. A summary of the AL register options are shown in Table 2.

Table 2 – Additive Latency (AL) Settings

| A4 | A3 | AL |
|----|----|-----------------|
| 0 | 0 | 0 (AL Disabled) |
| 0 | 1 | CL - 1 |
| 1 | 0 | CL - 2 |
| 1 | 1 | Reserved |

Note:

AL has a value of CL - 1 or CL - 2 as per the CL values programmed in the MR0 register.

8.3.2.5 Write leveling

For better signal integrity, DDR3L memory module adopted fly-by topology for the commands, addresses, control signals, and clocks. The fly-by topology has the benefit of reducing the number of stubs and their length, but it also causes flight time skew between clock and strobe at every DRAM on the DIMM. This makes it difficult for the controller to maintain tDQSS, tDSS, and tDSH specification. Therefore, the DDR3L SDRAM supports a ‘write leveling’ feature to allow the controller to compensate for skew. See section 8.9 “**Write Leveling**” on page 30 for more details.



8.3.2.6 Output Disable

The DDR3L SDRAM outputs may be enabled/disabled by MR1 (bit A12) as shown in Figure 6. When this feature is enabled (A12 = 1), all output pins (DQs, DQS, DQS#, etc.) are disconnected from the device, thus removing any loading of the output drivers. This feature may be useful when measuring module power, for example. For normal operation, A12 should be set to '0'.

8.3.2.7 TDQS, TDQS#

TDQS (Termination Data Strobe) provides additional termination resistance outputs that may be useful in some system configurations. When enabled via the mode register, the same termination resistance function is applied to the TDQS/TDQS# pins that is applied to the DQS/DQS# pins.

In contrast to the RDQS function of DDR2 SDRAM, TDQS provides the termination resistance function only. The data strobe function of RDQS is not provided by TDQS.

The TDQS and DM functions share the same pin. When the TDQS function is enabled via the mode register, the DM function is not supported. When the TDQS function is disabled, the DM function is provided and the TDQS# pin is not used. See Table 3 for details.

Table 3 – TDQS, TDQS# Function Matrix

| MR1 (A11) | DM / TDQS | NU / TDQS# |
|-------------------|-----------|------------|
| 0 (TDQS Disabled) | DM | Hi-Z |
| 1 (TDQS Enabled) | TDQS | TDQS# |

Notes:

1. If TDQS is enabled, the DM function is disabled.
2. When not used, TDQS function can be disabled to save termination power.



8.3.3 Mode Register MR2

The Mode Register MR2 stores the data for controlling refresh related features, Rtt_WR impedance, and CAS write latency. The Mode Register 2 is written by asserting low on CS#, RAS#, CAS#, WE#, high on BA1 and low on BA0 and BA2, while controlling the states of address pins according to the Figure 7 below.



Notes:

1. BA2, A8, A11~A15 are reserved for future use and must be programmed to "0" during MRS.
2. The Rtt_WR value can be applied during writes even when Rtt_Nom is disabled. During write leveling, Dynamic ODT is not available.

Figure 7 – MR2 Definition



8.3.3.1 Partial Array Self Refresh (PASR)

If PASR (Partial Array Self Refresh) is enabled, data located in areas of the array beyond the specified address range shown in Figure 7 will be lost if Self Refresh is entered. Data integrity will be maintained if tREFI conditions are met and no Self Refresh command is issued.

8.3.3.2 CAS Write Latency (CWL)

The CAS Write Latency is defined by MR2 (bits A3-A5), as shown in Figure 7. CAS Write Latency is the delay, in clock cycles, between the internal Write command and the availability of the first bit of input data.

DDR3L SDRAM does not support any half-clock latencies. The overall Write Latency (WL) is defined as Additive Latency (AL) + CAS Write Latency (CWL); $WL = AL + CWL$. For more information on the supported CWL and AL settings based on the operating clock frequency, refer to section 10.15 “Speed Bins” on page 133. For detailed Write operation refer to section 8.14 “WRITE Operation” on page 56.

8.3.3.3 Auto Self Refresh (ASR) and Self Refresh Temperature (SRT)

DDR3L SDRAM must support Self Refresh operation at all supported temperatures. Applications requiring Self Refresh operation in the Extended Temperature Range must use the ASR function or program the SRT bit appropriately.

When ASR enabled, DDR3L SDRAM automatically provides Self Refresh power management functions for all supported operating temperature values. If not enabled, the SRT bit must be programmed to indicate TOPER during subsequent Self Refresh operation.

ASR = 0, Self Refresh rate is determined by SRT bit A7 in MR2.

ASR = 1, Self Refresh rate is determined by on-die thermal sensor. SRT bit A7 in MR2 is don't care.

8.3.3.4 Dynamic ODT (Rtt_WR)

DDR3L SDRAM introduces a new feature “Dynamic ODT”. In certain application cases and to further enhance signal integrity on the data bus, it is desirable that the termination strength of the DDR3L SDRAM can be changed without issuing an MRS command. MR2 Register locations A9 and A10 configure the Dynamic ODT settings. In Write leveling mode, only Rtt_Nom is available. For details on Dynamic ODT operation, refer to section 8.19.3 “Dynamic ODT” on page 83.



8.3.4 Mode Register MR3

The Mode Register MR3 controls Multi purpose registers. The Mode Register 3 is written by asserting low on CS#, RAS#, CAS#, WE#, high on BA1 and BA0, and low on BA2 while controlling the states of address pins according to the Figure 8 below.



Notes:

1. BA2, A3~A15 are reserved for future use and must be programmed to "0" during MRS.
2. The predefined pattern will be used for read synchronization.
3. When MPR control is set for normal operation (MR3 A[2] = 0) then MR3 A[1:0] will be ignored.

Figure 8 – MR3 Definition

8.3.4.1 Multi Purpose Register (MPR)

The Multi Purpose Register (MPR) function is used to Read out a predefined system timing calibration bit sequence. To enable the MPR, a MODE Register Set (MRS) command must be issued to MR3 Register with bit A2 = 1. Prior to issuing the MRS command, all banks must be in the idle state (all banks precharged and tRP met). Once the MPR is enabled, any subsequent RD or RDA commands will be redirected to the Multi Purpose Register. When the MPR is enabled, only RD or RDA commands are allowed until a subsequent MRS command is issued with the MPR disabled (MR3 bit A2 = 0). Power Down mode, Self Refresh, and any other non-RD/RDA command is not allowed during MPR enable mode. The RESET function is supported during MPR enable mode. For detailed MPR operation refer to section 8.10 "Multi Purpose Register" on page 34.



8.4 No Operation (NOP) Command

The No Operation (NOP) command is used to instruct the selected DDR3L SDRAM to perform a NOP (CS# LOW and RAS#, CAS#, and WE# HIGH). This prevents unwanted commands from being registered during idle or wait states. Operations already in progress are not affected.

8.5 Deselect Command

The DESELECT function (CS# HIGH) prevents new commands from being executed by the DDR3L SDRAM. The DDR3L SDRAM is effectively deselected. Operations already in progress are not affected.

8.6 DLL-off Mode

DDR3L DLL-off mode is entered by setting MR1 bit A0 to “1”; this will disable the DLL for subsequent operations until A0 bit is set back to “0”. The MR1 A0 bit for DLL control can be switched either during initialization or later. Refer to section 8.8 “Input clock frequency change” on page 28.

The DLL-off Mode operations listed below are an optional feature for DDR3L. The maximum clock frequency for DLL-off Mode is specified by the parameter tCK(DLL_OFF). There is no minimum frequency limit besides the need to satisfy the refresh interval, tREFI.

Due to latency counter and timing restrictions, only one value of CAS Latency (CL) in MR0 and CAS Write Latency (CWL) in MR2 are supported. The DLL-off mode is only required to support setting of both CL=6 and CWL=6.

DLL-off mode will affect the Read data Clock to Data Strobe relationship (tDQSK), but not the Data Strobe to Data relationship (tDQSQ, tQH). Special attention is needed to line up Read data to controller time domain.

Comparing with DLL-on mode, where tDQSK starts from the rising clock edge (AL+CL) cycles after the Read command, the DLL-off mode tDQSK starts (AL+CL - 1) cycles after the read command. Another difference is that tDQSK may not be small compared to tCK (it might even be larger than tCK) and the difference between tDQSK min and tDQSK max is significantly larger than in DLL-on mode.

The timing relations on DLL-off mode READ operation is shown in the following Timing Diagram (CL=6, BL=8):



Figure 9 – DLL-off mode READ Timing Operation



8.7 DLL on/off switching procedure

DDR3L DLL-off mode is entered by setting MR1 bit A0 to “1”; this will disable the DLL for subsequent operations until A0 bit is set back to “0”.

8.7.1 DLL “on” to DLL “off” Procedure

To switch from DLL “on” to DLL “off” requires the frequency to be changed during Self-Refresh, as outlined in the following procedure:

1. Starting from Idle state (All banks pre-charged, all timings fulfilled, and DRAMs On-die Termination resistors, RTT, must be in high impedance state before MRS to MR1 to disable the DLL.)
2. Set MR1 bit A0 to “1” to disable the DLL.
3. Wait tMOD.
4. Enter Self Refresh Mode; wait until (tCKSRE) is satisfied.
5. Change frequency, in guidance with section 8.8 “Input clock frequency change” on page 28.
6. Wait until a stable clock is available for at least (tCKSRX) at DRAM inputs.
7. Starting with the Self Refresh Exit command, CKE must continuously be registered HIGH until all tMOD timings from any MRS command are satisfied. In addition, if any ODT features were enabled in the mode registers when Self Refresh mode was entered, the ODT signal must continuously be registered LOW until all tMOD timings from any MRS command are satisfied. If both ODT features were disabled in the mode registers when Self Refresh mode was entered, ODT signal can be registered LOW or HIGH.
8. Wait tXS, then set Mode Registers with appropriate values (especially an update of CL, CWL and WR may be necessary. A ZQCL command may also be issued after tXS).
9. Wait for tMOD, then DRAM is ready for next command.

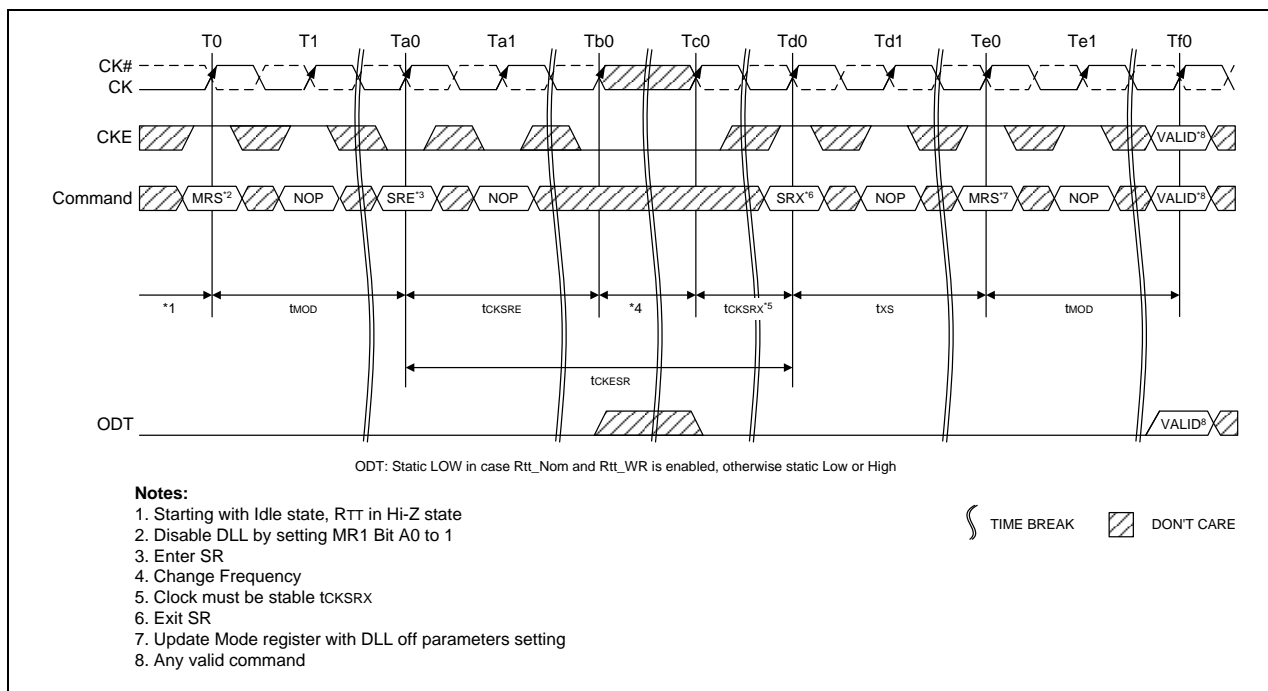


Figure 10 – DLL Switch Sequence from DLL-on to DLL-off



8.7.2 DLL “off” to DLL “on” Procedure

To switch from DLL “off” to DLL “on” (with required frequency change) during Self-Refresh:

1. Starting from Idle state (All banks pre-charged, all timings fulfilled and DRAMs On-die Termination resistors (RTT) must be in high impedance state before Self-Refresh mode is entered.)
2. Enter Self Refresh Mode, wait until tCKSRE satisfied.
3. Change frequency, in guidance with section 8.8 “Input clock frequency change” on page 28.
4. Wait until a stable clock is available for at least (tCKSRX) at DRAM inputs.
5. Starting with the Self Refresh Exit command, CKE must continuously be registered HIGH until tDLLK timing from subsequent DLL Reset command is satisfied. In addition, if any ODT features were enabled in the mode registers when Self Refresh mode was entered, the ODT signal must continuously be registered LOW until tDLLK timings from subsequent DLL Reset command is satisfied. If both ODT features are disabled in the mode registers when Self Refresh mode was entered, ODT signal can be registered LOW or HIGH.
6. Wait tXS, then set MR1 bit A0 to “0” to enable the DLL.
7. Wait tMRD, then set MR0 bit A8 to “1” to start DLL Reset.
8. Wait tMRD, then set Mode Registers with appropriate values (especially an update of CL, CWL and WR may be necessary. After tMOD satisfied from any proceeding MRS command, a ZQCL command may also be issued during or after tDLLK.)
9. Wait for tMOD, then DRAM is ready for next command (Remember to wait tDLLK after DLL Reset before applying command requiring a locked DLL!). In addition, wait also for tzQoper in case a ZQCL command was issued.



Figure 11 – DLL Switch Sequence from DLL Off to DLL On



8.8 Input clock frequency change

Once the DDR3L SDRAM is initialized, the DDR3L SDRAM requires the clock to be “stable” during almost all states of normal operation. This means that, once the clock frequency has been set and is to be in the “stable state”, the clock period is not allowed to deviate except for what is allowed for by the clock jitter and SSC (spread spectrum clocking) specifications.

The input clock frequency can be changed from one stable clock rate to another stable clock rate under two conditions: (1) Self-Refresh mode and (2) Precharge Power-down mode. Outside of these two modes, it is illegal to change the clock frequency.

8.8.1 Frequency change during Self-Refresh

For the first condition, once the DDR3L SDRAM has been successfully placed in to Self-Refresh mode and tCKSRE has been satisfied, the state of the clock becomes a don't care. Once a don't care, changing the clock frequency is permissible, provided the new clock frequency is stable prior to tCKSRX. When entering and exiting Self-Refresh mode for the sole purpose of changing the clock frequency, the Self-Refresh entry and exit specifications must still be met as outlined in see section 8.16 “**Self-Refresh Operation**” on page 67.

The DDR3L SDRAM input clock frequency is allowed to change only within the minimum and maximum operating frequency specified for the particular speed grade. Any frequency change below the minimum operating frequency would require the use of DLL_on mode -> DLL_off mode transition sequence; refer to section 8.7 “**DLL on/off switching procedure**” on page 26.

8.8.2 Frequency change during Precharge Power-down

The second condition is when the DDR3L SDRAM is in Precharge Power-down mode (either fast exit mode or slow exit mode). If the Rtt_Nom feature was enabled in the mode register prior to entering Precharge power down mode, the ODT signal must continuously be registered LOW ensuring RTT is in an off state. If the Rtt_Nom feature was disabled in the mode register prior to entering Precharge power down mode, RTT will remain in the off state. The ODT signal can be registered either LOW or HIGH in this case. A minimum of tCKSRE must occur after CKE goes LOW before the clock frequency may change. The DDR3L SDRAM input clock frequency is allowed to change only within the minimum and maximum operating frequency specified for the particular speed grade. During the input clock frequency change, ODT and CKE must be held at stable LOW levels. Once the input clock frequency is changed, stable new clocks must be provided to the DRAM tCKSRX before Precharge Power-down may be exited; after Precharge Power-down is exited and tXP has expired, the DLL must be RESET via MRS. Depending on the new clock frequency, additional MRS commands may need to be issued to appropriately set the WR, CL, and CWL with CKE continuously registered high. During DLL re-lock period, ODT must remain LOW and CKE must remain HIGH. After the DLL lock time, the DRAM is ready to operate with new clock frequency. This process is depicted in Figure 12 on page 29.



Notes:

1. Applicable for both SLOW EXIT and FAST EXIT Precharge Power-down.
2. tAOFPD and tAOF must be satisfied and outputs High-Z prior to T1; refer to ODT timing section for exact requirements.
3. If the Rtt_Nom feature was enabled in the mode register prior to entering Precharge power down mode, the ODT signal must continuously be registered LOW ensuring RTT is in an off state, as shown in Figure 9. If the Rtt_Nom feature was disabled in the mode register prior to entering Precharge power down mode, RTT will remain in the off state. The ODT signal can be registered either LOW or HIGH in this case.

Figure 12 – Change Frequency during Precharge Power-down



8.9 Write Leveling

For better signal integrity, the DDR3L memory module adopted fly-by topology for the commands, addresses, control signals, and clocks. The fly-by topology has benefits from reducing number of stubs and their length, but it also causes flight time skew between clock and strobe at every DRAM on the DIMM. This makes it difficult for the Controller to maintain t_{DQSS} , t_{DSS} , and t_{DSH} specification. Therefore, the DDR3L SDRAM supports a 'write leveling' feature to allow the controller to compensate for skew.

The memory controller can use the 'write leveling' feature and feedback from the DDR3L SDRAM to adjust the DQS - DQS# to CK - CK# relationship. The memory controller involved in the leveling must have adjustable delay setting on DQS - DQS# to align the rising edge of DQS - DQS# with that of the clock at the DRAM pin. The DRAM asynchronously feeds back CK - CK#, sampled with the rising edge of DQS - DQS#, through the DQ bus. The controller repeatedly delays DQS - DQS# until a transition from 0 to 1 is detected. The DQS - DQS# delay established through this exercise would ensure t_{DQSS} specification.

Besides t_{DQSS} , t_{DSS} and t_{DSH} specification also needs to be fulfilled. One way to achieve this is to combine the actual t_{DQSS} in the application with an appropriate duty cycle and jitter on the DQS - DQS# signals. Depending on the actual t_{DQSS} in the application, the actual values for t_{DQSL} and t_{DQSH} may have to be better than the absolute limits provided in section 10.16 "AC Characteristics" in order to satisfy t_{DSS} and t_{DSH} specification. A conceptual timing of this scheme is shown in Figure 13.



Figure 13 – Write Leveling Concept

DQS - DQS# driven by the controller during leveling mode must be terminated by the DRAM based on ranks populated. Similarly, the DQ bus driven by the DRAM must also be terminated at the controller.



8.9.1 DRAM setting for write leveling & DRAM termination function in that mode

DRAM enters into Write leveling mode if A7 in MR1 set 'High' and after finishing leveling, DRAM exits from write leveling mode if A7 in MR1 set 'Low' (Table 4). Note that in write leveling mode, only DQS/DQS# terminations are activated and deactivated via ODT pin, unlike normal operation (Table 5).

Table 4 – MR setting involved in the leveling procedure

| Function | MR1 | Enable | Disable |
|---------------------------|-----|--------|---------|
| Write leveling enable | A7 | 1 | 0 |
| Output buffer mode (Qoff) | A12 | 0 | 1 |

Table 5 – DRAM termination function in the leveling mode

| ODT pin @DRAM | DQS/DQS# termination | DQs termination |
|---------------|----------------------|-----------------|
| De-asserted | Off | Off |
| Asserted | On | Off |

Note:

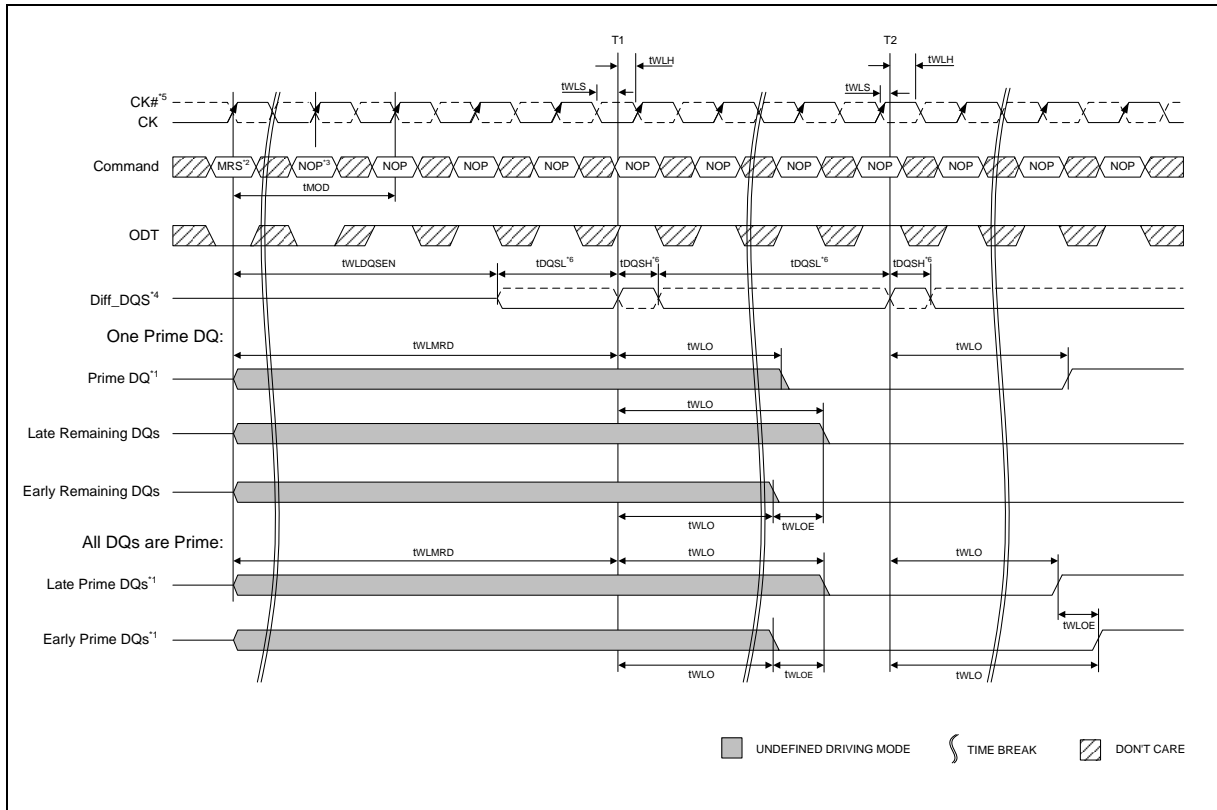
In Write Leveling Mode with its output buffer disabled (MR1 A[7] = 1 with MR1 A[12] = 1) all Rtt_Nom settings are allowed; in Write Leveling Mode with its output buffer enabled (MR1 A[7] = 1 with MR1 A[12] = 0) only Rtt_Nom settings of RZQ/2, RZQ/4 and RZQ/6 are allowed.

8.9.2 Write Leveling Procedure

The Memory controller initiates Leveling mode of all DRAMs by setting bit 7 of MR1 to 1. When entering write leveling mode, the DQ pins are in undefined driving mode. During write leveling mode, only NOP or DESELECT commands are allowed, as well as an MRS command to change Qoff bit (MR1[A12]) and an MRS command to exit write leveling (MR1[A7]). Upon exiting write leveling mode, the MRS command performing the exit (MR1[A7]=0) may also change MR1 bits of A12, A9, A6-A5, and A2-A1. Since the controller levels one rank at a time, the output of other ranks must be disabled by setting MR1 bit A12 to 1. The Controller may assert ODT after t_{MOD}, at which time the DRAM is ready to accept the ODT signal.

The Controller may drive DQS low and DQS# high after a delay of t_{WLDQSEN}, at which time the DRAM has applied on-die termination on these signals. After t_{DQSL} and t_{WLMRD}, the controller provides a single DQS, DQS# edge which is used by the DRAM to sample CK - CK# driven from controller. t_{WLMRD(max)} timing is controller dependent.

DRAM samples CK - CK# status with rising edge of DQS - DQS# and provides feedback on all the DQ bits asynchronously after t_{WLO} timing. Either one or all data bits ("prime DQ bit(s)") provide the leveling feedback. The DRAM's remaining DQ bits are driven Low statically after the first sampling procedure. There is a DQ output uncertainty of t_{WLOE} defined to allow mismatch on DQ bits. The t_{WLOE} period is defined from the transition of the earliest DQ bit to the corresponding transition of the latest DQ bit. There are no read strobes (DQS/DQS#) needed for these DQs. Controller samples incoming DQ and decides to increment or decrement DQS - DQS# delay setting and launches the next DQS/DQS# pulse after some time, which is controller dependent. Once a 0 to 1 transition is detected, the controller locks DQS - DQS# delay setting and write leveling is achieved for the device. Figure 14 describes the timing diagram and parameters for the overall Write Leveling procedure.



Notes:

1. DRAM has the option to drive leveling feedback on a prime DQ or all DQs. If feedback is driven only on one DQ, the remaining DQs must be driven low, as shown in above Figure, and maintained at this state throughout the leveling procedure.
2. MRS: Load MR1 to enter write leveling mode.
3. NOP: NOP or Deselect.
4. Diff_DQS is the differential data strobe (DQS, DQS#). Timing reference points are the zero crossings. DQS is shown with solid line, DQS# is shown with dotted line.
5. CK, CK#: CK is shown with solid dark line, whereas CK# is drawn with dotted line.
6. DQS, DQS# needs to fulfill minimum pulse width requirements tDQSH(min) and tDQSL(min) as defined for regular Writes; the max pulse width is system dependent.

Figure 14 – Timing details of Write leveling sequence [DQS - DQS# is capturing CK - CK# low at T1 and CK - CK# high at T2]



8.9.3 Write Leveling Mode Exit

The following sequence describes how the Write Leveling Mode should be exited:

1. After the last rising strobe edge (see $\sim T_0$), stop driving the strobe signals (see $\sim T_{c0}$). Note: From now on, DQ pins are in undefined driving mode, and will remain undefined, until tMOD after the respective MR command (T_{e1}).
2. Drive ODT pin low (tIS must be satisfied) and continue registering low. (see T_{b0}).
3. After the RTT is switched off, disable Write Level Mode via MRS command (see T_{c2}).
4. After tMOD is satisfied (T_{e1}), any valid command may be registered. (MR commands may be issued after tMRD (T_{d1})).



Note:

1. The DQ result = 1 between T_{a0} and T_{c0} is a result of the DQS, DQS# signals capturing CK high just after the T_0 state.

Figure 15 – Timing details of Write leveling exit



8.10 Multi Purpose Register

The Multi Purpose Register (MPR) function is used to Read out a predefined system timing calibration bit sequence. The basic concept of the MPR is shown in Figure 16.



Figure 16 – MPR Block Diagram

To enable the MPR, a Mode Register Set (MRS) command must be issued to MR3 Register with bit A2 = 1, as shown in Table 6. Prior to issuing the MRS command, all banks must be in the idle state (all banks precharged and t_{RP} met). Once the MPR is enabled, any subsequent RD or RDA commands will be redirected to the Multi Purpose Register. The resulting operation, when a RD or RDA command is issued, is defined by MR3 bits A[1:0] when the MPR is enabled as shown in Table 7. When the MPR is enabled, only RD or RDA commands are allowed until a subsequent MRS command is issued with the MPR disabled (MR3 bit A2 = 0). Note that in MPR mode RDA has the same functionality as a READ command which means the auto precharge part of RDA is ignored. Power-Down mode, Self-Refresh, and any other non-RD/RDA command is not allowed during MPR enable mode. The RESET function is supported during MPR enable mode.

Table 6 – MPR Functional Description of MR3 Bits

| MR3 A[2] | MR3 A[1:0] | Function |
|----------|--------------------------|--|
| MPR | MPR-Loc | |
| 0b | don't care (0b or 1b) | Normal operation, no MPR transaction All subsequent Reads will come from DRAM array All subsequent Write will go to DRAM array |
| 1b | See Table 7 | Enable MPR mode, subsequent RD/RDA commands defined by MR3 A[1:0] |



8.10.1 MPR Functional Description

- One bit wide logical interface via all DQ pins during READ operation.
- Register Read:
 - DQ[0] drive information from MPR
 - DQ[7:1] either drive the same information as DQ[0], or they drive 0b
- Addressing during for Multi Purpose Register reads for all MPR agents:
 - BA[2:0]: Don't care
 - A[1:0]: A[1:0] must be equal to '00'b. Data read burst order in nibble is fixed
 - A[2]: A[2] selects the burst order
 - For BL=8, A[2] must be equal to 0b, burst order is fixed to [0,1,2,3,4,5,6,7], *)
 - For Burst Chop 4 cases, the burst order is switched on nibble base
 - A[2]=0b, Burst order: 0,1,2,3 *)
 - A[2]=1b, Burst order: 4,5,6,7 *)
 - A[9:3]: Don't care
 - A10/AP: Don't care
 - A12/BC#: Selects burst chop mode on-the-fly, if enabled within MR0
 - A11, A13, A14 and A15: Don't care
- Regular interface functionality during register reads:
 - Support two Burst Ordering which are switched with A2 and A[1:0]=00b
 - Support of read burst chop (MRS and on-the-fly via A12/BC#)
 - All other address bits (remaining column address bits including A10, all bank address bits) will be ignored by the DDR3L SDRAM
 - Regular read latencies and AC timings apply
 - DLL must be locked prior to MPR Reads

Note: *) Burst order bit 0 is assigned to LSB and burst order bit 7 is assigned to MSB of the selected MPR agent.



8.10.2 MPR Register Address Definition

Table 7 provides an overview of the available data locations, how they are addressed by MR3 A[1:0] during a MRS to MR3, and how their individual bits are mapped into the burst order bits during a Multi Purpose Register Read.

Table 7 – MPR Readouts and Burst Order Bit Mapping

| MR3 A[2] | MR3 A[1:0] | Function | Burst Length | Read Address A[2:0] | Burst Order and Data Pattern |
|----------|------------|---|--------------|---------------------|---|
| 1b | 00b | Read Pre-defined Pattern for System Calibration | BL8 | 000b | Burst order 0,1,2,3,4,5,6,7 Pre-defined Data Pattern [0,1,0,1,0,1,0,1] |
| | | | BC4 | 000b | Burst order 0,1,2,3 Pre-defined Data Pattern [0,1,0,1] |
| | | | BC4 | 100b | Burst order 4,5,6,7 Pre-defined Data Pattern [0,1,0,1] |
| 1b | 01b | RFU | BL8 | 000b | Burst order 0,1,2,3,4,5,6,7 |
| | | | BC4 | 000b | Burst order 0,1,2,3 |
| | | | BC4 | 100b | Burst order 4,5,6,7 |
| 1b | 10b | RFU | BL8 | 000b | Burst order 0,1,2,3,4,5,6,7 |
| | | | BC4 | 000b | Burst order 0,1,2,3 |
| | | | BC4 | 100b | Burst order 4,5,6,7 |
| 1b | 11b | RFU | BL8 | 000b | Burst order 0,1,2,3,4,5,6,7 |
| | | | BC4 | 000b | Burst order 0,1,2,3 |
| | | | BC4 | 100b | Burst order 4,5,6,7 |

Note: Burst order bit 0 is assigned to LSB and the burst order bit 7 is assigned to MSB of the selected MPR agent.

8.10.3 Relevant Timing Parameters

The following AC timing parameters are important for operating the Multi Purpose Register: tRP, tMRD, tMOD, and tMPRR. For more details refer to section 10.16 “AC Characteristics” on page 138.

8.10.4 Protocol Example

Protocol Example (This is one example):

Read out pre-determined read-calibration pattern.

Description: Multiple reads from Multi Purpose Register, in order to do system level read timing calibration based on pre-determined and standardized pattern.

Protocol Steps:

- Precharge All.
- Wait until tRP is satisfied.
- Set MRS, “MR3 A[2] = 1b” and “MR3 A[1:0] = 00b”.
This redirects all subsequent reads and load pre-defined pattern into Multi Purpose Register.
- Wait until tMRD and tMOD are satisfied (Multi Purpose Register is then ready to be read). During the period MR3 A[2] = 1, no data write operation is allowed.



- Read:
 - A[1:0] = '00'b (Data burst order is fixed starting at nibble, always 00b here)
 - A[2] = '0'b (For BL=8, burst order is fixed as 0,1,2,3,4,5,6,7)
 - A12/BC# = 1 (use regular burst length of 8)
 - All other address pins (including BA[2:0] and A10/AP): don't care
- After $RL = AL + CL$, DRAM bursts out the pre-defined Read Calibration Pattern.
- Memory controller repeats these calibration reads until read data capture at memory controller is optimized.
- After end of last MPR read burst, wait until tMPRR is satisfied.
- Set MRS, "MR3 A[2] = 0b" and "MR3 A[1:0] = don't care" to the normal DRAM state.
All subsequent read and write accesses will be regular reads and writes from/to the DRAM array.
- Wait until tMRD and tMOD are satisfied.
- Continue with "regular" DRAM commands, like activate a memory bank for regular read or write access,...



Figure 17 – MPR Readout of pre-defined pattern, BL8 fixed burst order, single readout



Figure 18 – MPR Readout of pre-defined pattern, BL8 fixed burst order, back-to-back readout



Figure 19 – MPR Readout pre-defined pattern, BC4, lower nibble then upper nibble



Figure 20 – MPR Readout of pre-defined pattern, BC4, upper nibble then lower nibble



8.11 ACTIVE Command

The ACTIVE command is used to open (or activate) a row in a particular bank for a subsequent access. The value on the BA0-BA2 inputs selects the bank, and the address provided on inputs A0-A15 selects the row. This row remains active (or opens) for accesses until a precharge command is issued to that bank. A PRECHARGE command must be issued before opening a different row in the same bank.

8.12 PRECHARGE Command

The PRECHARGE command is used to deactivate the open row in a particular bank or the open row in all banks. The bank(s) will be available for a subsequent row activation a specified time (tRP) after the PRECHARGE command is issued, except in the case of concurrent auto precharge, where a READ or WRITE command to a different bank is allowed as long as it does not interrupt the data transfer in the current bank and does not violate any other timing parameters. Once a bank has been precharged, it is in the idle state and must be activated prior to any READ or WRITE commands being issued to that bank. A PRECHARGE command is allowed if there is no open row in that bank (idle state) or if the previously open row is already in the process of precharging. However, the precharge period will be determined by the last PRECHARGE command issued to the bank.



8.13 READ Operation

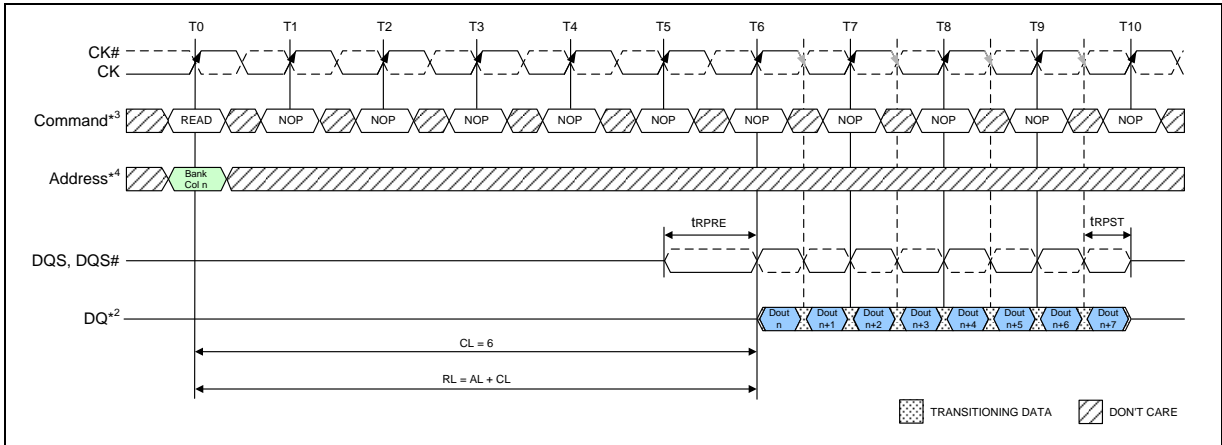
8.13.1 READ Burst Operation

During a READ or WRITE command, DDR3L will support BC4 and BL8 on the fly using address A12 during the READ or WRITE (AUTO PRECHARGE can be enabled or disabled).

A12 = 0, BC4 (BC4 = burst chop, tCCD = 4)

A12 = 1, BL8

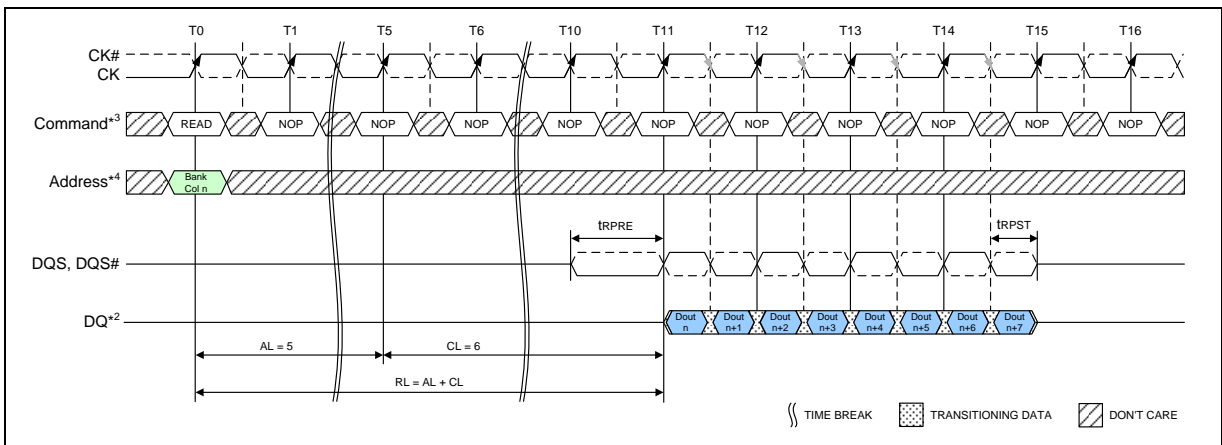
A12 is used only for burst length control, not as a column address.



Notes:

1. BL8, RL = 6, AL = 0, CL = 6.
2. Dout n = data-out from column n.
3. NOP commands are shown for ease of illustration; other commands may be valid at these times.
4. BL8 setting activated by either MR0 A[1:0] = 00 or MR0 A[1:0] = 01 and A12 = 1 during READ command at T0.

Figure 21 – READ Burst Operation RL = 6 (AL = 0, CL = 6, BL8)



Notes:

1. BL8, RL = 11, AL = (CL - 1), CL = 6.
2. Dout n = data-out from column n.
3. NOP commands are shown for ease of illustration; other commands may be valid at these times.
4. BL8 setting activated by either MR0 A[1:0] = 00 or MR0 A[1:0] = 01 and A12 = 1 during READ command at T0.

Figure 22 – READ Burst Operation RL = 11 (AL = 5, CL = 6, BL8)



8.13.2 READ Timing Definitions

Read timing is shown in Figure 23 and is applied when the DLL is enabled and locked.

Rising data strobe edge parameters:

- t_{DQSCK} min/max describes the allowed range for a rising data strobe edge relative to CK, CK#.
- t_{DQSCK} is the actual position of a rising strobe edge relative to CK, CK#.
- t_{QSH} describes the DQS, DQS# differential output high time.
- t_{DQSQ} describes the latest valid transition of the associated DQ pins.
- t_{QH} describes the earliest invalid transition of the associated DQ pins.

Falling data strobe edge parameters:

- t_{QSL} describes the DQS, DQS# differential output low time.
- t_{DQSQ} describes the latest valid transition of the associated DQ pins.
- t_{QH} describes the earliest invalid transition of the associated DQ pins.

t_{DQSQ} ; both rising/falling edges of DQS, no tAC defined.



Figure 23 – READ Timing Definition



8.13.2.1 READ Timing; Clock to Data Strobe relationship

Clock to Data Strobe relationship is shown in Figure 24 and is applied when the DLL is enabled and locked.

Rising data strobe edge parameters:

- t_{DQSK} min/max describes the allowed range for a rising data strobe edge relative to CK, CK#.
- t_{DQSK} is the actual position of a rising strobe edge relative to CK, CK#.
- t_{QSH} describes the data strobe high pulse width.

Falling data strobe edge parameters:

- t_{QSL} describes the data strobe low pulse width.

$t_{LZ}(DQS)$, $t_{HZ}(DQS)$ for preamble/postamble (see section 8.13.2.3 and Figure 26).



Notes:

1. Within a burst, rising strobe edge is not necessarily fixed to be always at $t_{DQSK}(\min)$ or $t_{DQSK}(\max)$. Instead, rising strobe edge can vary between $t_{DQSK}(\min)$ and $t_{DQSK}(\max)$.
2. Not with standing note 1, a rising strobe edge with $t_{DQSK}(\max)$ at $T(n)$ cannot be immediately followed by a rising strobe edge with $t_{DQSK}(\min)$ at $T(n+1)$. This is because other timing relationships (t_{QSH} , t_{QSL}) exist:
if $t_{DQSK}(n+1) < 0$:
$$t_{DQSK}(n) < 1.0 t_{CK} - (t_{QSH}(\min) + t_{QSL}(\min)) - |t_{DQSK}(n+1)|$$
3. The DQS, DQS# differential output high time is defined by t_{QSH} and the DQS, DQS# differential output low time is defined by t_{QSL} .
4. Likewise, $t_{LZ}(DQS)\min$ and $t_{HZ}(DQS)\min$ are not tied to t_{DQSK},\min (early strobe case) and $t_{LZ}(DQS)\max$ and $t_{HZ}(DQS)\max$ are not tied to t_{DQSK},\max (late strobe case).
5. The minimum pulse width of read preamble is defined by $t_{RPRE}(\min)$.
6. The maximum read postamble is bound by $t_{DQSK}(\min)$ plus $t_{QSH}(\min)$ on the left side and $t_{HZ}(DQS)\max$ on the right side.
7. The minimum pulse width of read postamble is defined by $t_{RPST}(\min)$.
8. The maximum read preamble is bound by $t_{LZ}(DQS)\min$ on the left side and $t_{DQSK}(\max)$ on the right side.

Figure 24 – Clock to Data Strobe Relationship



8.13.2.2 READ Timing; Data Strobe to Data relationship

The Data Strobe to Data relationship is shown in Figure 25 and is applied when the DLL is enabled and locked.

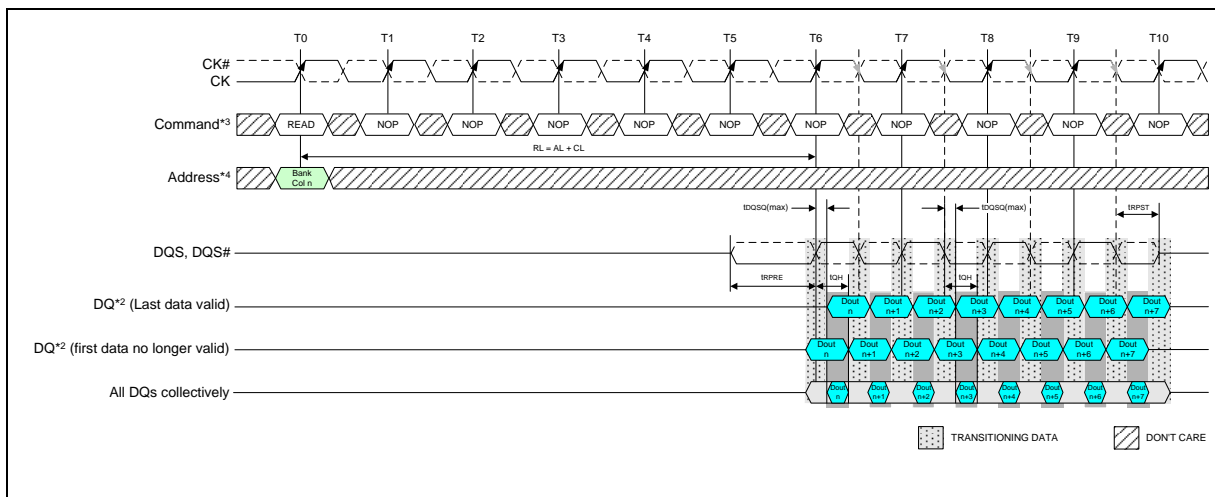
Rising data strobe edge parameters:

- tDQSQ describes the latest valid transition of the associated DQ pins.
- tQH describes the earliest invalid transition of the associated DQ pins.

Falling data strobe edge parameters:

- tDQSQ describes the latest valid transition of the associated DQ pins.
- tQH describes the earliest invalid transition of the associated DQ pins.

tDQSQ; both rising/falling edges of DQS, no tAC defined.



Notes:

1. BL = 8, RL = 6 (AL = 0, CL = 6).
2. Dout n = data-out from column n.
3. NOP commands are shown for ease of illustration; other commands may be valid at these times.
4. BL8 setting activated by either MR0 A[1:0] = 00 or MR0 A[1:0] = 01 and A12 = 1 during READ command at T0.
5. Output timings are referenced to VDDQ/2, and DLL on for locking.
6. tDQSQ defines the skew between DQS, DQS# to Data and does not define DQS, DQS# to Clock.
7. Early Data transitions may not always happen at the same DQ. Data transitions of a DQ can vary (either early or late) within a burst.

Figure 25 – Data Strobe to Data Relationship



8.13.2.3 tLZ(DQS), tLZ(DQ), tHZ(DQS), tHZ(DQ) Calculation

tHZ and tLZ transitions occur in the same time window as valid data transitions. These parameters are referenced to a specific voltage level that specifies when the device output is no longer driving tHZ(DQS) and tHZ(DQ), or begins driving tLZ(DQS), tLZ(DQ). Figure 26 shows a method to calculate the point when the device is no longer driving tHZ(DQS) and tHZ(DQ), or begins driving tLZ(DQS), tLZ(DQ), by measuring the signal at two different voltages. The actual voltage measurement points are not critical as long as the calculation is consistent. The parameters tLZ(DQS), tLZ(DQ), tHZ(DQS), and tHZ(DQ) are defined as singled ended.



Figure 26 – tLZ and tHZ method for calculating transitions and endpoints



8.13.2.4 tRPRE Calculation

The method for calculating differential pulse widths for tRPRE is shown in Figure 27.



Figure 27 – Method for calculating tRPRE transitions and endpoints

8.13.2.5 tRPST Calculation

The method for calculating differential pulse widths for tRPST is shown in Figure 28.



Figure 28 – Method for calculating tRPST transitions and endpoints

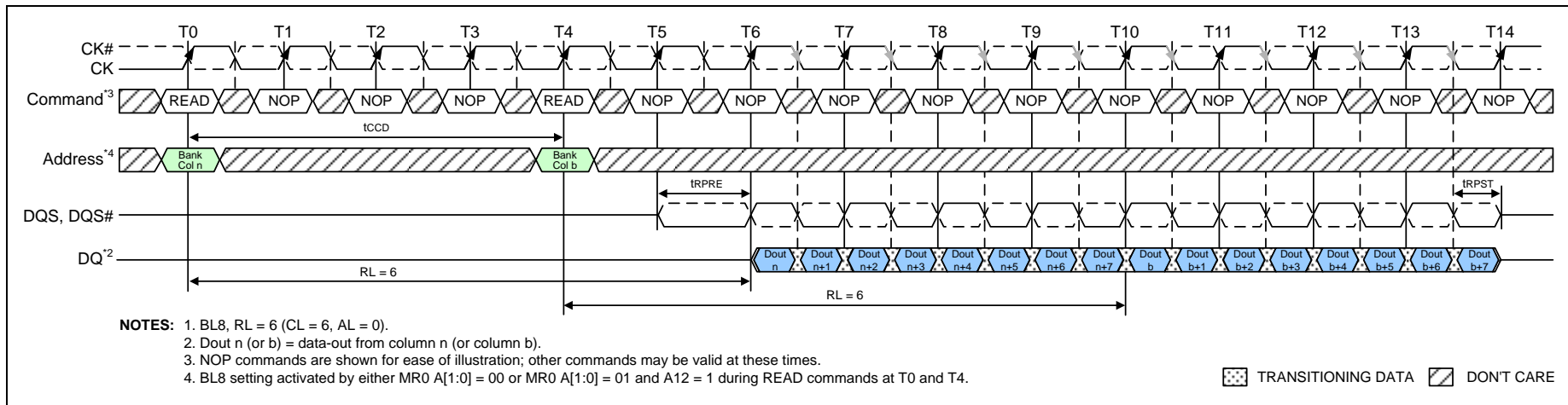


Figure 29 – READ (BL8) to READ (BL8)

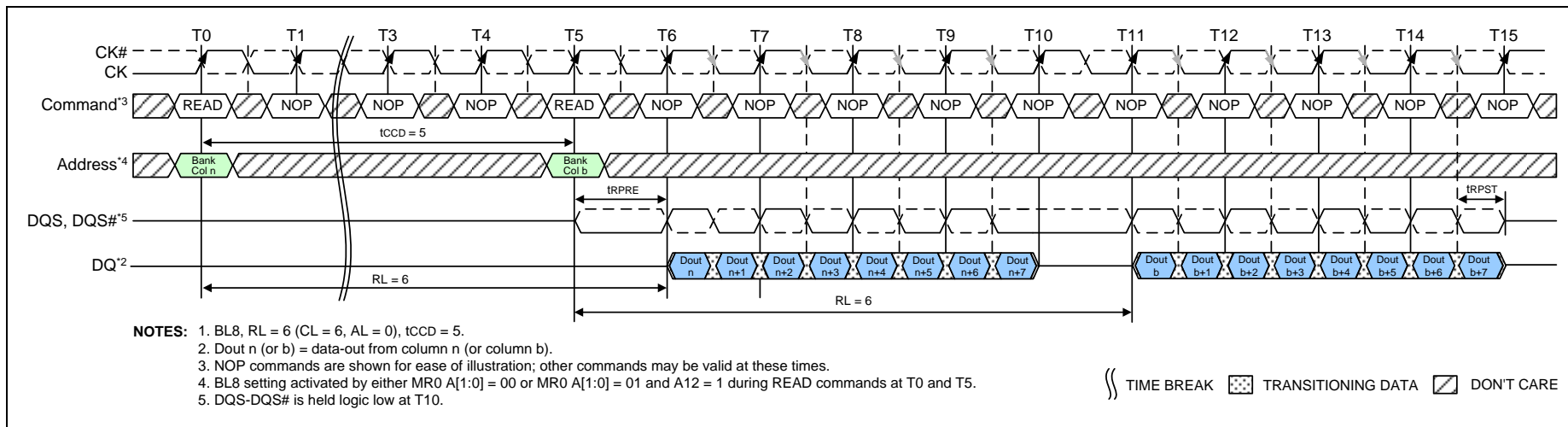


Figure 30 – Nonconsecutive READ (BL8) to READ (BL8), tCCD=5

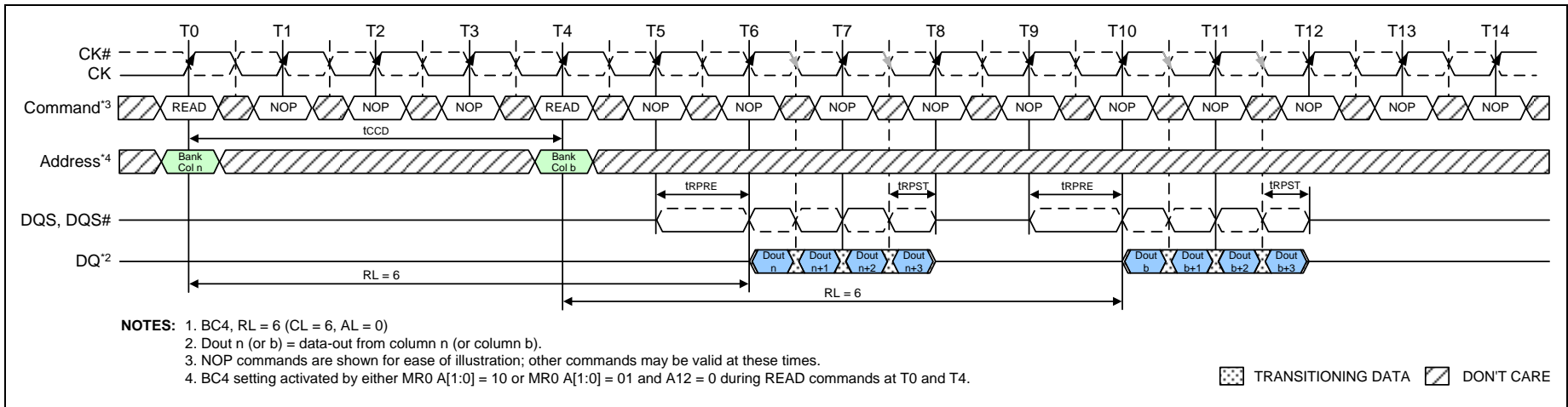


Figure 31 – READ (BC4) to READ (BC4)

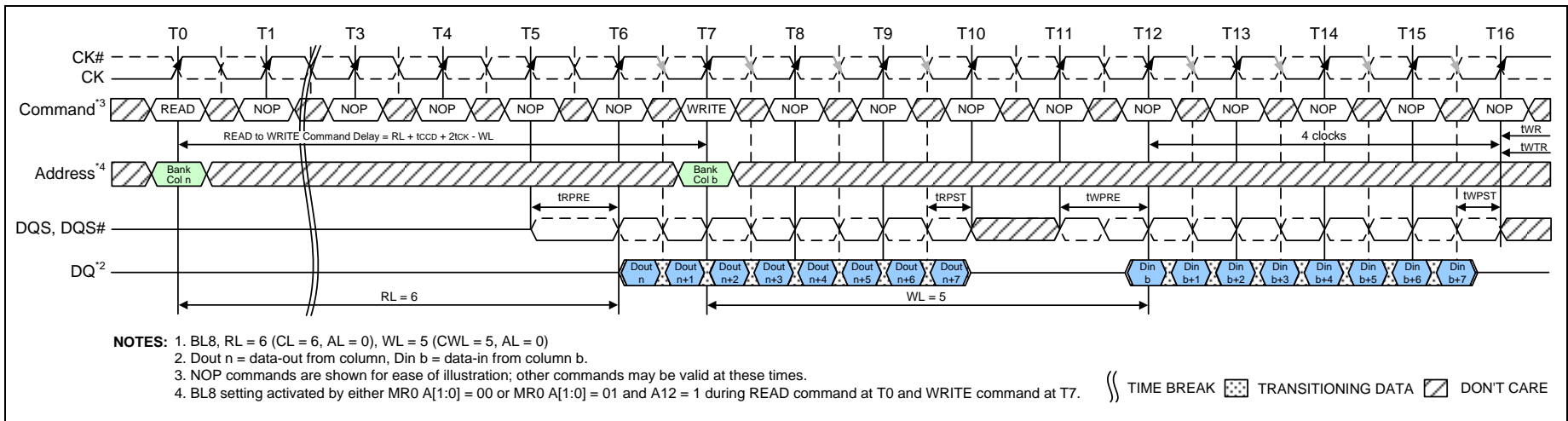


Figure 32 – READ (BL8) to WRITE (BL8)

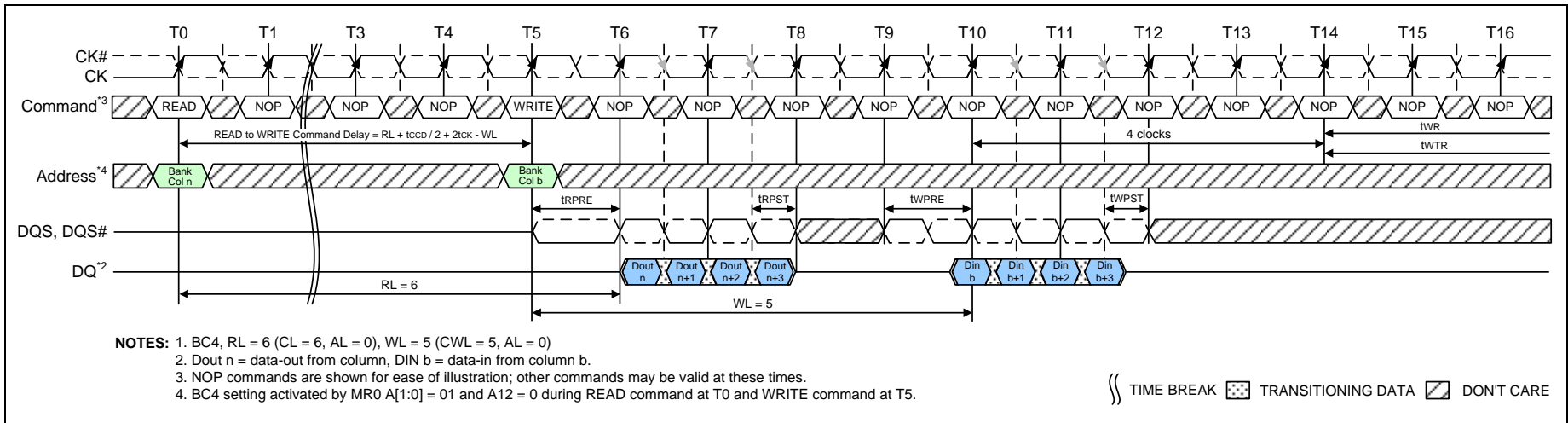


Figure 33 – READ (BC4) to WRITE (BC4) OTF

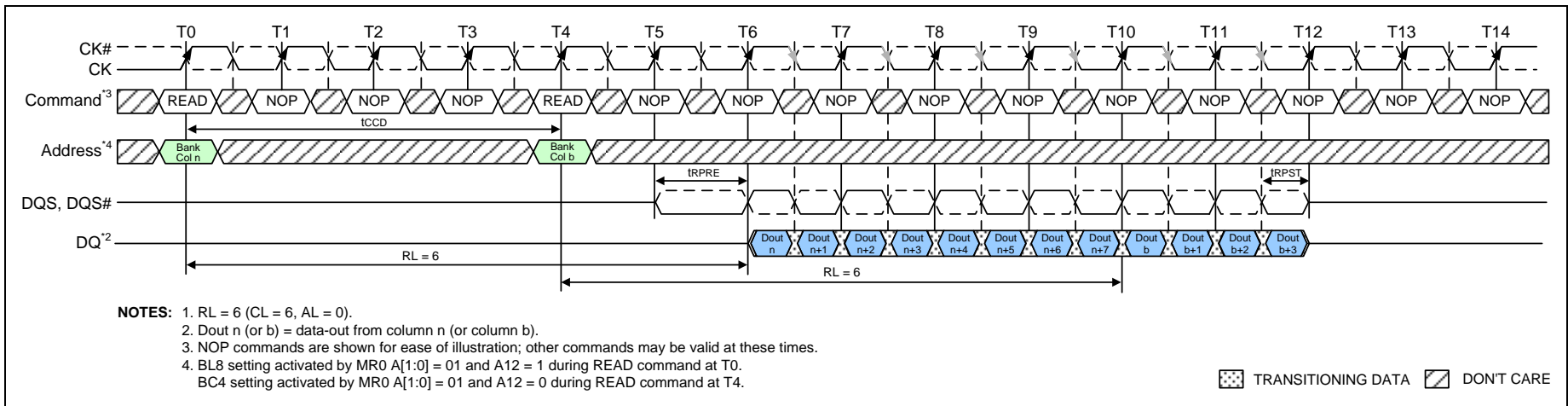


Figure 34 – READ (BL8) to READ (BC4) OTF



Figure 35 – READ (BC4) to READ (BL8) OTF



Figure 36 – READ (BC4) to WRITE (BL8) OTF



Figure 37 – READ (BL8) to WRITE (BC4) OTF



8.13.2.6 Burst Read Operation followed by a Precharge

The minimum external Read command to Precharge command spacing to the same bank is equal to $AL + t_{RTP}$ with t_{RTP} being the Internal Read Command to Precharge Command Delay. Note that the minimum ACT to PRE timing, $t_{RAS.MIN}$ must be satisfied as well. The minimum value for the Internal Read Command to Precharge Command Delay is given by $t_{RTP.MIN} = \max(4 \times nCK, 7.5 \text{ nS})$. A new bank active command may be issued to the same bank if the following two conditions are satisfied simultaneously:

1. The minimum RAS precharge time ($t_{RP.MIN}$) has been satisfied from the clock at which the precharge begins.
2. The minimum RAS cycle time ($t_{RC.MIN}$) from the previous bank activation has been satisfied.

Examples of Read commands followed by Precharge are show in Figure 38 and Figure 39.



Figure 38 – READ to PRECHARGE ($RL = 9, AL = 0, CL = 9, t_{RTP} = 4, t_{RP} = 9$)



Figure 39 – READ to PRECHARGE (RL = 26, AL = CL-2, CL = 14, tRTP = 8, tRP = 14)



8.14 WRITE Operation

8.14.1 DDR3L Burst Operation

During a READ or WRITE command, DDR3L will support BC4 and BL8 on the fly using address A12 during the READ or WRITE (AUTO PRECHARGE can be enabled or disabled).

A12 = 0, BC4 (BC4 = burst chop, tCCD = 4)

A12 = 1, BL8

A12 is used only for burst length control, not as a column address.

8.14.2 WRITE Timing Violations

8.14.2.1 Motivation

Generally, if timing parameters are violated, a complete reset/initialization procedure has to be initiated to make sure that the DRAM works properly. However, it is desirable; for certain minor violations, that the DRAM is guaranteed not to “hang up”, and that errors are limited to that particular operation.

For the following, it will be assumed that there are no timing violations with regards to the Write command itself (including ODT, etc.) and that it does satisfy all timing requirements not mentioned below.

8.14.2.2 Data Setup and Hold Violations

Should the data to strobe timing requirements (tDS, tDH) be violated, for any of the strobe edges associated with a write burst, and then wrong data might be written to the memory location addressed with this WRITE command.

In the example (Figure 40 on page 57), the relevant strobe edges for write burst A are associated with the clock edges: T5, T5.5, T6, T6.5, T7, T7.5, T8, T8.5.

Subsequent reads from that location might result in unpredictable read data, however the DRAM will work properly otherwise.

8.14.2.3 Strobe to Strobe and Strobe to Clock Violations

Should the strobe timing requirements (tDQSH, tDQSL, tWPRE, tWPST) or the strobe to clock timing requirements (tDSS, tDSH, tDQSS) be violated, for any of the strobe edges associated with a Write burst, then wrong data might be written to the memory location addressed with the offending WRITE command. Subsequent reads from that location might result in unpredictable read data, however the DRAM will work properly otherwise.

In the example (Figure 48 on page 61) the relevant strobe edges for Write burst *n* are associated with the clock edges: T4, T4.5, T5, T5.5, T6, T6.5, T7, T7.5, T8, T8.5 and T9. Any timing requirements starting or ending on one of these strobe edges need to be fulfilled for a valid burst. For Write burst *b* the relevant edges are T8, T8.5, T9, T9.5, T10, T10.5, T11, T11.5, T12, T12.5 and T13. Some edges are associated with both bursts.

8.14.2.4 Write Timing Parameters

This drawing is for example only to enumerate the strobe edges that “belong” to a Write burst. No actual timing violations are shown here. For a valid burst all timing parameters for each edge of a burst need to be satisfied (not only for one edge - as shown).



8.14.4 tWPRE Calculation

The method for calculating differential pulse widths for tWPRE is shown in Figure 41.



Figure 41 – Method for calculating tWPRE transitions and endpoints

8.14.5 tWPST Calculation

The method for calculating differential pulse widths for tWPST is shown in Figure 42.



Figure 42 – Method for calculating tWPST transitions and endpoints



Notes:

1. BL8, WL = 5; AL = 0, CWL = 5.
2. Din n = data-in from column n.
3. NOP commands are shown for ease of illustration; other commands may be valid at these times.
4. BL8 setting activated by either MR0 A[1:0] = 00 or MR0 A[1:0] = 01 and A12 = 1 during WRITE command at T0.

Figure 43 – WRITE Burst Operation WL = 5 (AL = 0, CWL = 5, BL8)



Notes:

1. BL8, WL = 10; AL = CL - 1, CL = 6, CWL = 5.
2. Din n = data-in from column n.
3. NOP commands are shown for ease of illustration; other commands may be valid at these times.
4. BL8 setting activated by either MR0 A[1:0] = 00 or MR0 A[1:0] = 01 and A12 = 1 during WRITE command at T0.

Figure 44 – WRITE Burst Operation WL = 10 (AL = CL-1, CWL = 5, BL8)



Notes:

1. BC4, WL = 5, RL = 6.
2. Din n = data-in from column n; Dout b = data-out from column b.
3. NOP commands are shown for ease of illustration; other commands may be valid at these times.
4. BC4 setting activated by MR0 A[1:0] = 10 during WRITE command at T0 and READ command at Tn.
5. tWTR controls the write to read delay to the same device and starts with the first rising clock edge after the last write data shown at T7.

Figure 45 – WRITE (BC4) to READ (BC4) Operation



Notes:

1. BC4, WL = 5, RL = 6.
2. Din n = data-in from column n; Dout b = data-out from column b.
3. NOP commands are shown for ease of illustration; other commands may be valid at these times.
4. BC4 setting activated by MR0 A[1:0] = 10 during WRITE command at T0.
5. The write recovery time (tWR) referenced from the first rising clock edge after the last write data shown at T7. tWR specifies the last burst write cycle until the precharge command can be issued to the same bank.

Figure 46 – WRITE (BC4) to PRECHARGE Operation

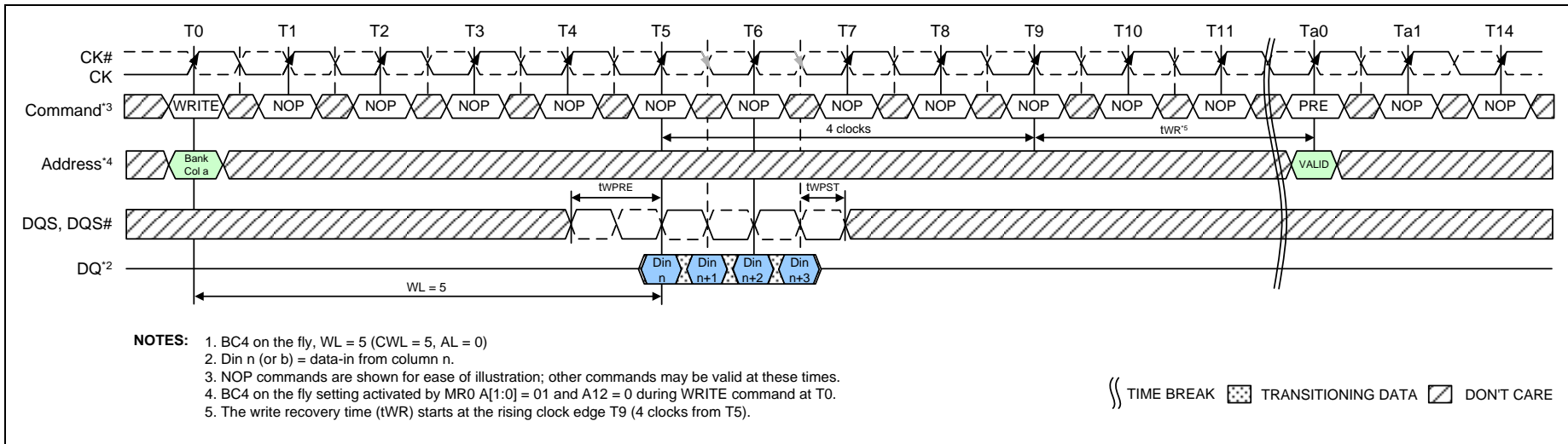


Figure 47 – WRITE (BC4) OTF to PRECHARGE Operation

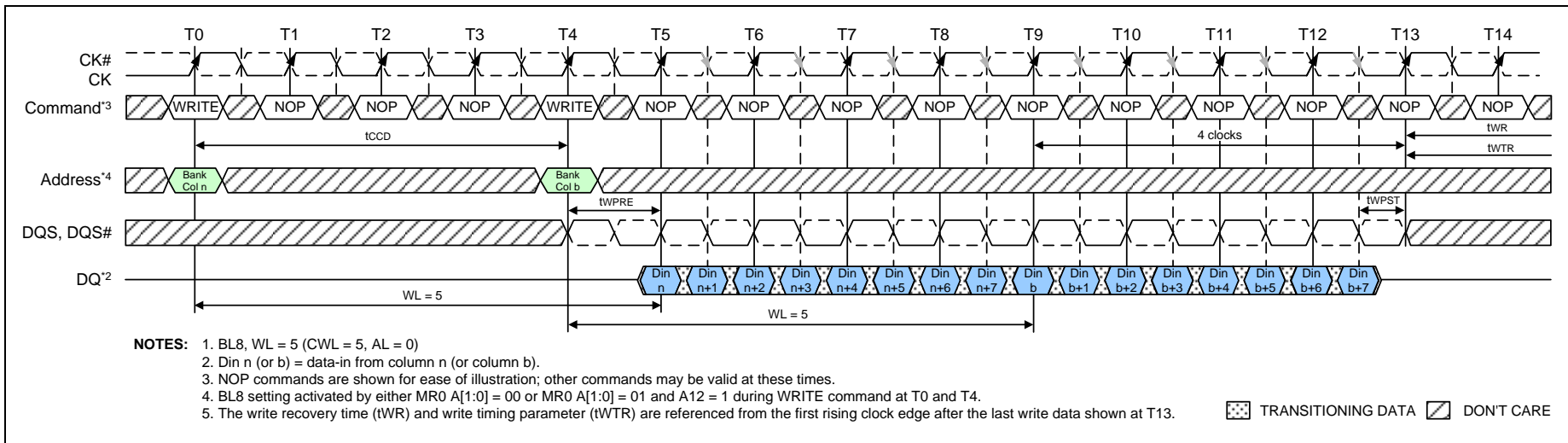


Figure 48 – WRITE (BL8) to WRITE (BL8)

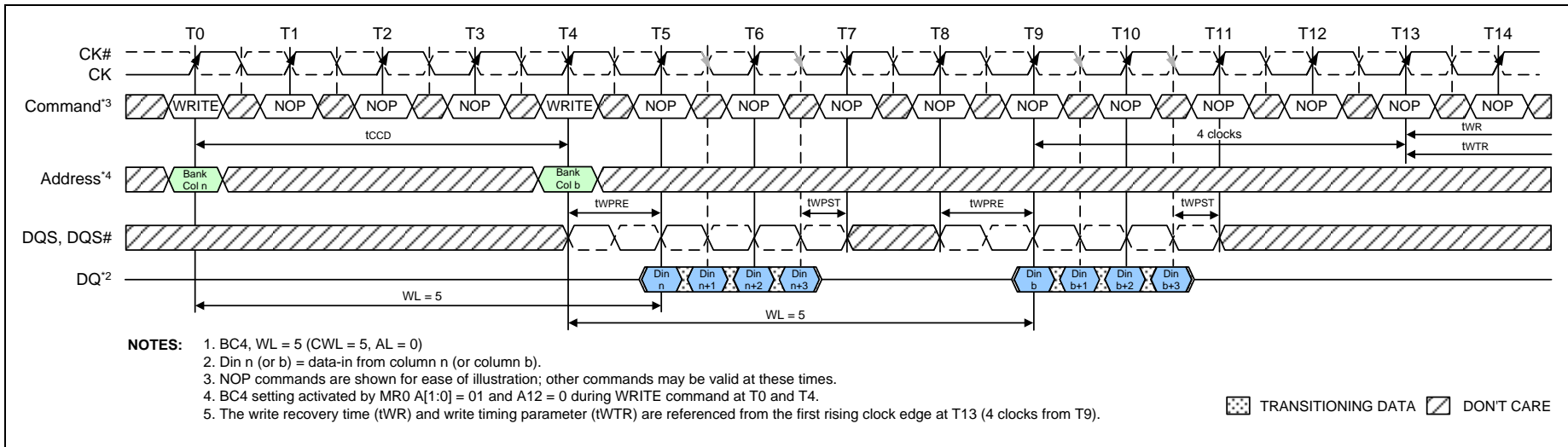


Figure 49 – WRITE (BC4) to WRITE (BC4) OTF

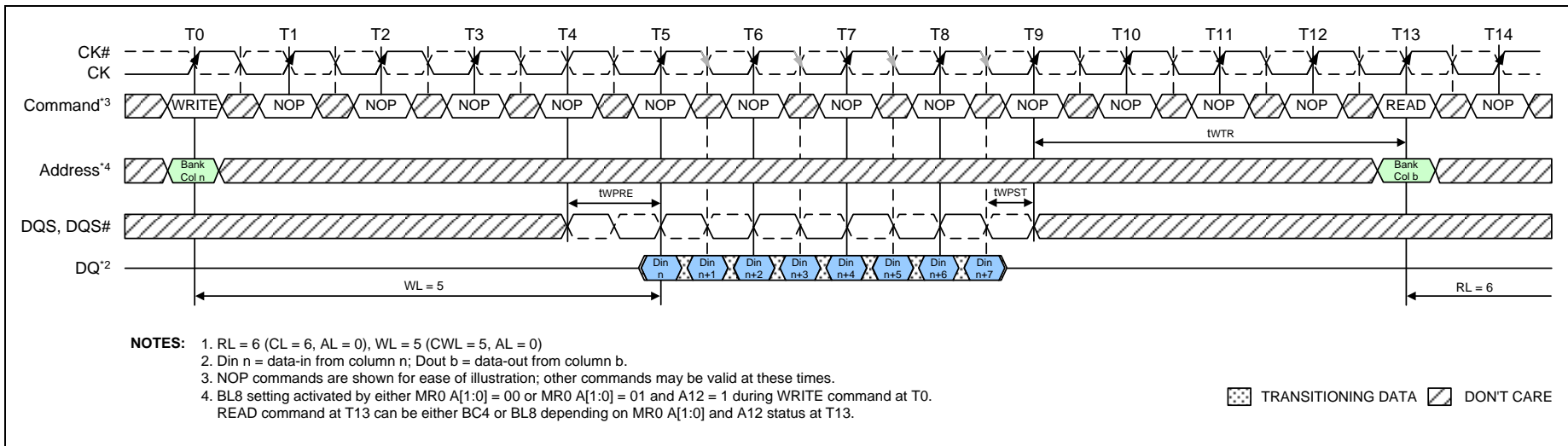


Figure 50 – WRITE (BL8) to READ (BC4/BL8) OTF

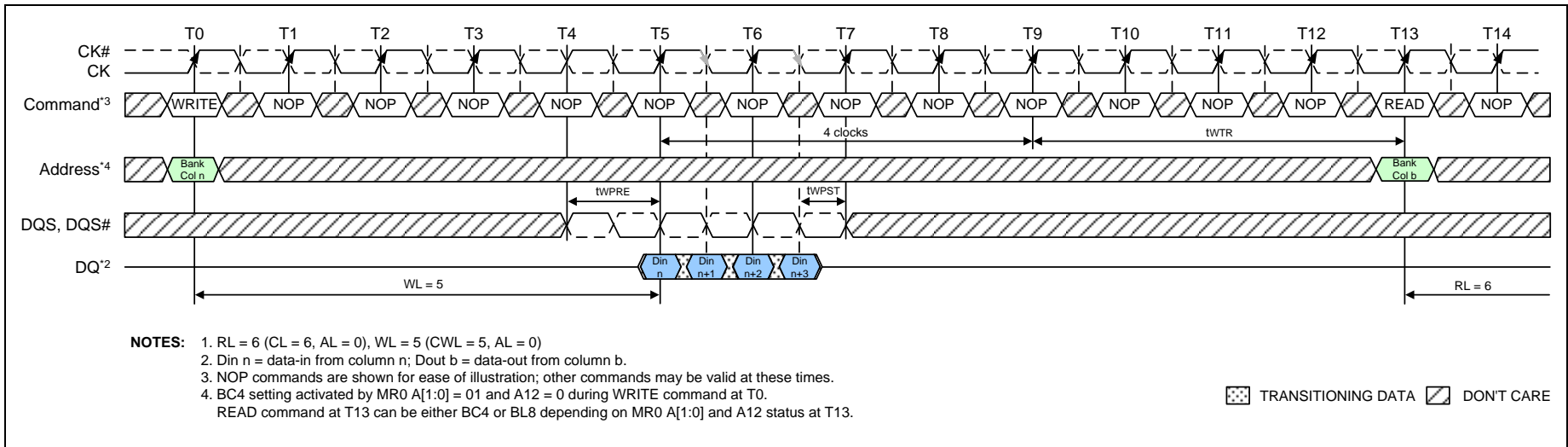


Figure 51 – WRITE (BC4) to READ (BC4) OTF

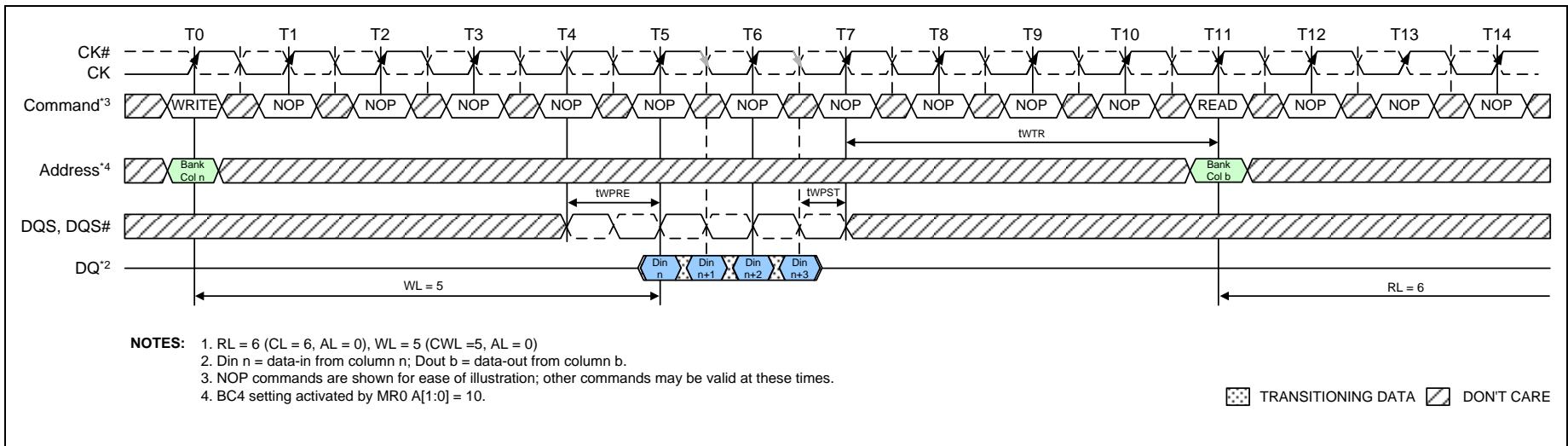


Figure 52 – WRITE (BC4) to READ (BC4)



Figure 53 – WRITE (BL8) to WRITE (BC4) OTF



Figure 54 – WRITE (BC4) to WRITE (BL8) OTF



8.15 Refresh Command

The Refresh command (REF) is used during normal operation of the DDR3L SDRAMs. This command is non persistent, so it must be issued each time a refresh is required. The DDR3L SDRAM requires Refresh cycles at an average periodic interval of t_{REFI} . When CS#, RAS# and CAS# are held Low and WE# High at the rising edge of the clock, the chip enters a Refresh cycle. All banks of the SDRAM must be precharged and idle for a minimum of the precharge time $t_{RP}(\min)$ before the Refresh Command can be applied. The refresh addressing is generated by the internal refresh controller. This makes the address bits “Don't Care” during a Refresh command. An internal address counter supplies the addresses during the refresh cycle. No control of the external address bus is required once this cycle has started. When the refresh cycle has completed, all banks of the SDRAM will be in the precharged (idle) state. A delay between the Refresh Command and the next valid command, except NOP or DES, must be greater than or equal to the minimum Refresh cycle time $t_{RFC}(\min)$ as shown in Figure 55. Note that the t_{RFC} timing parameter depends on memory density.

In general, a Refresh command needs to be issued to the DDR3L SDRAM regularly every t_{REFI} interval. To allow for improved efficiency in scheduling and switching between tasks, some flexibility in the absolute refresh interval is provided. A maximum of 8 Refresh commands can be postponed during operation of the DDR3L SDRAM, meaning that at no point in time more than a total of 8 Refresh commands are allowed to be postponed. In case that 8 Refresh commands are postponed in a row, the resulting maximum interval between the surrounding Refresh commands is limited to $9 \times t_{REFI}$ (see Figure 56). A maximum of 8 additional Refresh commands can be issued in advance (“pulled in”), with each one reducing the number of regular Refresh commands required later by one. Note that pulling in more than 8 Refresh commands in advance does not further reduce the number of regular Refresh commands required later, so that the resulting maximum interval between two surrounding Refresh commands is limited to $9 \times t_{REFI}$ (see Figure 57). At any given time, a maximum of 16 REF commands can be issued within $2 \times t_{REFI}$. Self-Refresh Mode may be entered with a maximum of eight Refresh commands being postponed. After exiting Self-Refresh Mode with one or more Refresh commands postponed, additional Refresh commands may be postponed to the extent that the total number of postponed Refresh commands (before and after the Self-Refresh) will never exceed eight. During Self-Refresh Mode, the number of postponed or pulled-in REF commands does not change.



Figure 55 – Refresh Command Timing



Figure 56 – Postponing Refresh Commands (Example)



Figure 57 – Pulling-in Refresh Commands (Example)



8.16 Self-Refresh Operation

The Self-Refresh command can be used to retain data in the DDR3L SDRAM, even if the rest of the system is powered down. When in the Self-Refresh mode, the DDR3L SDRAM retains data without external clocking. The DDR3L SDRAM device has a built-in timer to accommodate Self-Refresh operation. The Self-Refresh-Entry (SRE) Command is defined by having CS#, RAS#, CAS#, and CKE held low with WE# high at the rising edge of the clock.

Before issuing the Self-Refresh-Entry command, the DDR3L SDRAM must be idle with all bank precharge state with tRP satisfied. 'Idle state' is defined as all banks are closed (tRP, tDAL, etc. satisfied), no data bursts are in progress, CKE is high, and all timings from previous operations are satisfied (tMRD, tMOD, tRFC, tZQinit, tZQoper, tZQCS, etc.) Also, on-die termination must be turned off before issuing Self-Refresh-Entry command, by either registering ODT pin low "ODTL + 0.5tCK" prior to the Self-Refresh Entry command or using MRS to MR1 command. Once the Self-Refresh Entry command is registered, CKE must be held low to keep the device in Self-Refresh mode. During normal operation (DLL on), MR1 (A0 = 0), the DLL is automatically disabled upon entering Self-Refresh and is automatically enabled (including a DLL-Reset) upon exiting Self-Refresh.

When the DDR3L SDRAM has entered Self-Refresh mode, all of the external control signals, except CKE and RESET#, are "don't care." For proper Self-Refresh operation, all power supply and reference pins (VDD, VDDQ, VSS, VSSQ, VREFCA and VREFDQ) must be at valid levels. VREFDQ supply may be turned OFF and VREFDQ may take any value between VSS and VDD during Self Refresh operation, provided that VREFDQ is valid and stable prior to CKE going back High and that first Write operation or first Write Leveling Activity may not occur earlier than 512 nCK after exit from Self Refresh. The DRAM initiates a minimum of one Refresh command internally within tCKE period once it enters Self-Refresh mode.

The clock is internally disabled during Self-Refresh Operation to save power. The minimum time that the DDR3L SDRAM must remain in Self-Refresh mode is tCKESR. The user may change the external clock frequency or halt the external clock tCKSRE after Self-Refresh entry is registered, however, the clock must be restarted and stable tCKSRX before the device can exit Self-Refresh operation.

The procedure for exiting Self-Refresh requires a sequence of events. First, the clock must be stable prior to CKE going back HIGH. Once a Self-Refresh Exit command (SRX, combination of CKE going high and either NOP or Deselect on command bus) is registered, a delay of at least txs must be satisfied before a valid command not requiring a locked DLL can be issued to the device to allow for any internal refresh in progress. Before a command that requires a locked DLL can be applied, a delay of at least txSDLL must be satisfied.

Depending on the system environment and the amount of time spent in Self-Refresh, ZQ calibration commands may be required to compensate for the voltage and temperature drift as described in section 8.18 "**ZQ Calibration Commands**" on page 77. To issue ZQ calibration commands, applicable timing requirements must be satisfied (See Figure 72 - "**ZQ Calibration Timing**" on page 78).

CKE must remain HIGH for the entire Self-Refresh exit period txSDLL for proper operation except for Self-Refresh re-entry. Upon exit from Self-Refresh, the DDR3L SDRAM can be put back into Self-Refresh mode after waiting at least txs period and issuing one refresh command (refresh period of tRFC). NOP or deselect commands must be registered on each positive clock edge during the Self-Refresh exit interval txs. ODT must be turned off during txSDLL.



The use of Self-Refresh mode introduces the possibility that an internally timed refresh event can be missed when CKE is raised for exit from Self-Refresh mode. Upon exit from Self-Refresh, the DDR3L SDRAM requires a minimum of one extra refresh command before it is put back into Self-Refresh Mode.



Notes:

1. Only NOP or DES command.
2. Valid commands not requiring a locked DLL.
3. Valid commands requiring a locked DLL.

Figure 58 – Self-Refresh Entry/Exit Timing



8.17 Power-Down Modes

8.17.1 Power-Down Entry and Exit

Power-down is synchronously entered when CKE is registered low (along with NOP or Deselect command). CKE is not allowed to go low while mode register set command, MPR operations, ZQCAL operations, DLL locking or read / write operation are in progress. CKE is allowed to go low while any of other operations such as row activation, precharge or auto-precharge and refresh are in progress, but power-down IDD spec will not be applied until finishing those operations. Timing diagrams are shown in Figure 59 through Figure 71 with details for entry and exit of Power-Down.

The DLL should be in a locked state when power-down is entered for fastest power-down exit timing. If the DLL is not locked during power-down entry, the DLL must be reset after exiting power-down mode for proper read operation and synchronous ODT operation. DRAM design provides all AC and DC timing and voltage specification as well as proper DLL operation with any CKE intensive operations as long as DRAM controller complies with DRAM specifications.

During Power-Down, if all banks are closed after any in-progress commands are completed, the device will be in precharge Power-Down mode; if any bank is open after in-progress commands are completed, the device will be in active Power-Down mode.

Entering power-down deactivates the input and output buffers, excluding CK, CK#, ODT, CKE and RESET#. To protect DRAM internal delay on CKE line to block the input signals, multiple NOP or Deselect commands are needed during the CKE switch off and cycle(s) after, this timing period are defined as tCPDED. CKE_low will result in deactivation of command and address receivers after tCPDED has expired.

Table 8 – Power-Down Entry Definitions

| Status of DRAM | MRS bit A12 | DLL | PD Exit | Relevant Parameters |
|--------------------------------------|-------------|-----|---------|--|
| Active (A bank or more Open) | Don't Care | On | Fast | tXP to any valid command |
| Precharged (All banks Precharged) | 0 | Off | Slow | tXP to any valid command. Since it is in precharge state, commands here will be ACT, REF, MRS, PRE or PREA. tXPDLL to commands that need the DLL to operate, such as RD, RDA or ODT control line. |
| Precharged (All banks Precharged) | 1 | On | Fast | tXP to any valid command |

Also, the DLL is disabled upon entering precharge power-down (Slow Exit Mode), but the DLL is kept enabled during precharge power-down (Fast Exit Mode) or active power-down. In power-down mode, CKE low, RESET# high, and a stable clock signal must be maintained at the inputs of the DDR3L SDRAM, and ODT should be in a valid state, but all other input signals are "Don't Care." (If RESET# goes low during Power-Down, the DRAM will be out of PD mode and into reset state.) CKE low must be maintained until tCKE has been satisfied. Power-down duration is limited by 9 times tREFI of the device.

The power-down state is synchronously exited when CKE is registered high (along with a NOP or Deselect command). CKE high must be maintained until tCKE has been satisfied. A valid, executable command can be applied with power-down exit latency, tXP and/or tXPDLL after CKE goes high. Power-down exit latency is defined in section 10.16 "AC Characteristics" on page 138.

Active Power Down Entry and Exit timing diagram example is shown in Figure 59. Timing Diagrams for CKE with PD Entry, PD Exit with Read and Read with Auto Precharge, Write, Write with Auto Precharge, Activate, Precharge, Refresh, and MRS are shown in Figure 60 through Figure 68. Additional clarifications are shown in Figure 69 through Figure 71.



Note:

1. VALID command at T0 is ACT, NOP, DES or PRE with still one bank remaining open after completion of the precharge command.

Figure 59 – Active Power-Down Entry and Exit Timing Diagram



Figure 60 – Power-Down Entry after Read and Read with Auto Precharge



Note:

1. tWR is programmed through MR0.

Figure 61 – Power-Down Entry after Write with Auto Precharge



Figure 62 – Power-Down Entry after Write

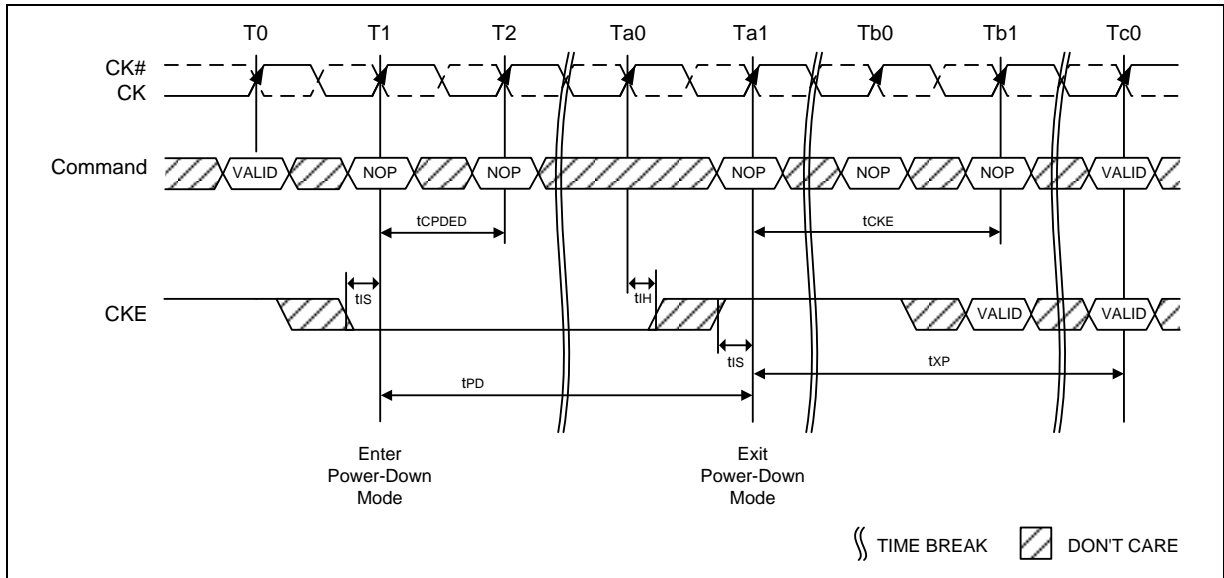


Figure 63 – Precharge Power-Down (Fast Exit Mode) Entry and Exit

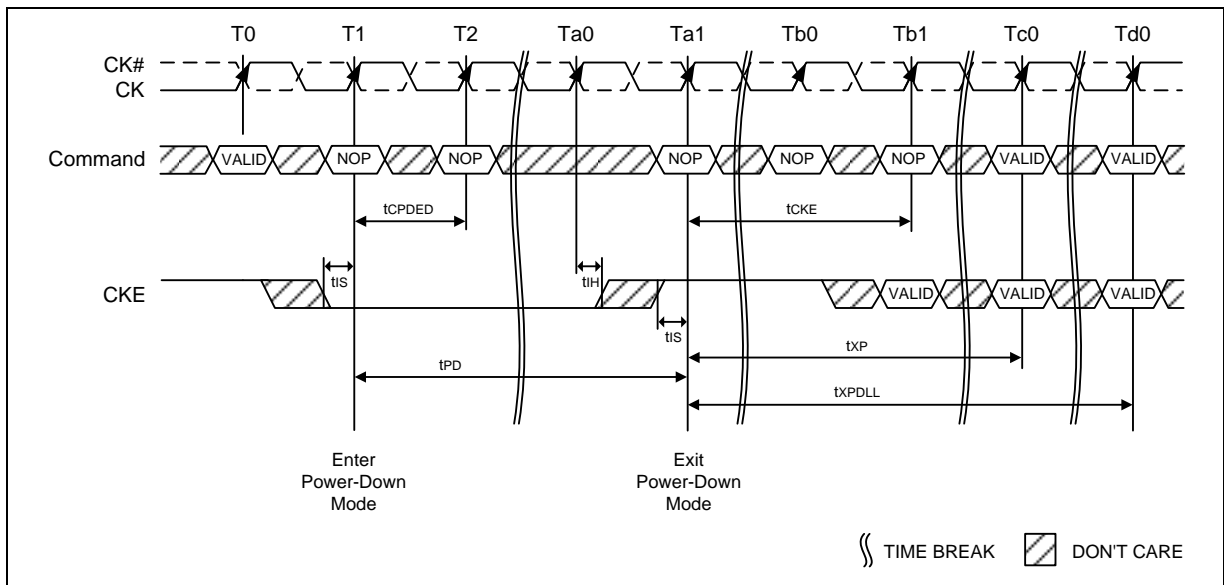


Figure 64 – Precharge Power-Down (Slow Exit Mode) Entry and Exit



Figure 65 – Refresh Command to Power-Down Entry



Figure 66 – Active Command to Power-Down Entry



Figure 67 – Precharge / Precharge all Command to Power-Down Entry



Figure 68 – MRS Command to Power-Down Entry



8.17.2 Power-Down clarifications - Case 1

When CKE is registered low for power-down entry, $t_{PD(min)}$ must be satisfied before CKE can be registered high for power-down exit. The minimum value of parameter $t_{PD(min)}$ is equal to the minimum value of parameter $t_{CKE(min)}$ as shown in section 10.16 “AC Characteristics” on page 138. A detailed example of Case 1 is shown in Figure 69.



Figure 69 – Power-Down Entry/Exit Clarifications - Case 1

8.17.3 Power-Down clarifications - Case 2

For certain CKE intensive operations, for example, repeated ‘PD Exit - Refresh - PD Entry’ sequences, the number of clock cycles between PD Exit and PD Entry may be insufficient to keep the DLL updated. Therefore, the following conditions must be met in addition to t_{CKE} in order to maintain proper DRAM operation when the Refresh command is issued between PD Exit and PD Entry. Power-down mode can be used in conjunction with the Refresh command if the following conditions are met:

- 1) t_{XP} must be satisfied before issuing the command.
- 2) t_{XPDLL} must be satisfied (referenced to the registration of PD Exit) before the next power-down can be entered. A detailed example of Case 2 is shown in Figure 70.



Figure 70 – Power-Down Entry/Exit Clarifications - Case 2



8.17.4 Power-Down clarifications - Case 3

If an early PD Entry is issued after a Refresh command, once PD Exit is issued, NOP or DES with CKE High must be issued until $t_{RFC}(\text{min})$ from the Refresh command is satisfied. This means CKE cannot be registered low twice within a $t_{RFC}(\text{min})$ window. A detailed example of Case 3 is shown in Figure 71.



Figure 71 – Power-Down Entry/Exit Clarifications - Case 3



8.18 ZQ Calibration Commands

8.18.1 ZQ Calibration Description

ZQ Calibration command is used to calibrate DRAM RON & ODT values over PVT (process, voltage and temperature). An external resistor (RZQ) between the DRAM ZQ pin and ground is used as a calibration reference. DDR3L SDRAM needs longer time to calibrate output driver and on-die termination circuits after power-up and/or any reset, medium time for a full calibration during normal operation (e.g. after self-refresh exit) and relatively smaller time to perform periodic update calibrations.

ZQCL (ZQ Calibration Long) command is used to perform the initial calibration during power-up initialization sequence. This command may be issued at any time by the controller depending on the system environment. ZQCL command triggers the calibration engine inside the DRAM and, once calibration is achieved, the calibrated values are transferred from the calibration engine to DRAM IO, which gets reflected as updated output driver and on-die termination values.

The first ZQCL command issued after reset is allowed a timing period of tzQinit to perform the full calibration and the transfer of values. All other ZQCL commands except the first ZQCL command issued after RESET are allowed a timing period of tzQoper.

ZQCS (ZQ Calibration Short) command is used to perform periodic calibrations to account for voltage and temperature variations. A shorter timing window is provided to perform the calibration and transfer of values as defined by timing parameter tzQCS. One ZQCS command can effectively correct a minimum of 0.5 % (ZQ Correction) of RON and RTT impedance error within 64 nCK for all speed bins assuming the maximum sensitivities specified in the ‘**Output Driver Voltage and Temperature Sensitivity**’ and ‘**ODT Voltage and Temperature Sensitivity**’ tables. The appropriate interval between ZQCS commands can be determined from these tables and other application-specific parameters. One method for calculating the interval between ZQCS commands, given the temperature (Tdriftrate) and voltage (Vdriftrate) drift rates that the SDRAM is subject to in the application, is illustrated. The interval could be defined by the following formula:

$$\frac{ZQCorrection}{(TSens \times Tdriftrate) + (VSens \times Vdriftrate)}$$

where TSens = max(dRTTdT, dRONdTM) and VSens = max(dRTTdV, dRONdVM) define the SDRAM temperature and voltage sensitivities.

For example, if TSens = 1.5%/°C, VSens = 0.15%/mV, Tdriftrate = 1 °C/sec and Vdriftrate = 15 mV/sec, then the interval between ZQCS commands is calculated as:

$$\frac{0.5}{(1.5 \times 1) + (0.15 \times 15)} = 0.133 \approx 128\text{mS}$$

No other activities should be performed on the DRAM channel by the controller for the duration of tzQinit, tzQoper, or tzQCS. The quiet time on the DRAM channel allows accurate calibration of output driver and on-die termination values. Once DRAM calibration is achieved, the DRAM should disable ZQ current consumption path to reduce power.

All banks must be precharged and tRP met before ZQCL or ZQCS commands are issued by the controller. See section 9.1 “**Command Truth Table**” on page 94 for a description of the ZQCL and ZQCS commands.

ZQ calibration commands can also be issued in parallel to DLL lock time when coming out of self refresh. Upon Self-Refresh exit, DDR3L SDRAM will not perform an IO calibration without an explicit ZQ calibration command. The earliest possible time for ZQ Calibration command (ZQCS or ZQCL) after self refresh exit is txs.

In systems that share the ZQ resistor between devices, the controller must not allow any overlap of tzQoper, tzQinit, or tzQCS between the devices.



8.18.2 ZQ Calibration Timing



Notes:

1. CKE must be continuously registered high during the calibration procedure.
2. On-die termination must be disabled via the ODT signal or MRS during the calibration procedure.
3. All devices connected to the DQ bus should be high impedance during the calibration procedure.

Figure 72 – ZQ Calibration Timing

8.18.3 ZQ External Resistor Value, Tolerance, and Capacitive loading

In order to use the ZQ Calibration function, a 240 ohm \pm 1% tolerance external resistor must be connected between the ZQ pin and ground. The single resistor can be used for each SDRAM or one resistor can be shared between two SDRAMs if the ZQ calibration timings for each SDRAM do not overlap. The total capacitive loading on the ZQ pin must be limited (See section 10.11 “Input/Output Capacitance” on page 119).



8.19 On-Die Termination (ODT)

ODT (On-Die Termination) is a feature of the DDR3L SDRAM that allows the DRAM to turn on/off termination resistance for each DQ, DQS, DQS# and DM (and TDQS, TDQS#, when enabled via A11=1 in MR1) signal via the ODT control pin. The ODT feature is designed to improve signal integrity of the memory channel by allowing the DRAM controller to independently turn on/off termination resistance for any or all DRAM devices. More details about ODT control modes and ODT timing modes can be found further down in this document:

- The ODT control modes are described in section 8.19.1
- The ODT synchronous mode is described in section 8.19.2
- The dynamic ODT feature is described in section 8.19.3
- The ODT asynchronous mode is described in section 8.19.4
- The transitions between ODT synchronous and asynchronous are described in section 8.19.4.1 through section 8.19.4.4

The ODT feature is turned off and not supported in Self-Refresh mode.

A simple functional representation of the DRAM ODT feature is shown in Figure 73.



Figure 73 – Functional Representation of ODT

The switch is enabled by the internal ODT control logic, which uses the external ODT pin and other control information, see below. The value of R_{TT} is determined by the settings of Mode Register bits (See Figure 6 - MR1 Definition and Figure 7 - MR2 Definition). The ODT pin will be ignored if the Mode Registers MR1 and MR2 are programmed to disable ODT, and in self-refresh mode.

8.19.1 ODT Mode Register and ODT Truth Table

The ODT Mode is enabled if any of MR1 {A9, A6, A2} or MR2 {A10, A9} are non zero. In this case, the value of R_{TT} is determined by the settings of those bits (see Figure 6 on page 19).

Application: Controller sends WR command together with ODT asserted.

- One possible application: The rank that is being written to provides termination.
- DRAM turns ON termination if it sees ODT asserted (unless ODT is disabled by MR).
- DRAM does not use any write or read command decode information.
- The Termination Truth Table is shown in Table 9.

Table 9 – Termination Truth Table

| ODT pin | DRAM Termination State |
|---------|---|
| 0 | OFF |
| 1 | ON, (OFF, if disabled by MR1 {A9, A6, A2} and MR2 {A10, A9} in general) |



8.19.2 Synchronous ODT Mode

Synchronous ODT mode is selected whenever the DLL is turned on and locked. Based on the power-down definition, these modes are:

- Any bank active with CKE high
- Refresh with CKE high
- Idle mode with CKE high
- Active power down mode (regardless of MR0 bit A12)
- Precharge power down mode if DLL is enabled during precharge power down by MR0 bit A12.

The direct ODT feature is not supported during DLL-off mode. The on-die termination resistors must be disabled by continuously registering the ODT pin low and/or by programming the Rtt_Nom bits MR1{A9,A6,A2} to {0,0,0} via a mode register set command during DLL-off mode.

In synchronous ODT mode, RTT will be turned on ODTLon clock cycles after ODT is sampled high by a rising clock edge and turned off ODTLoff clock cycles after ODT is registered low by a rising clock edge. The ODT latency is tied to the write latency (WL) by: ODTLon = WL - 2; ODTLoff = WL - 2.

8.19.2.1 ODT Latency and Posted ODT

In Synchronous ODT Mode, the Additive Latency (AL) programmed into the Mode Register (MR1) also applies to the ODT signal. The DRAM internal ODT signal is delayed for a number of clock cycles defined by the Additive Latency (AL) relative to the external ODT signal. ODTLon = CWL + AL - 2; ODTLoff = CWL + AL - 2. For more details refer to the ODT timing parameters in section 10.16 “AC Characteristics” on page 138.

Table 10 – ODT Latency

| Symbol | Parameter | DDR3L-1333/1600/1866/2133 | Unit |
|---------|----------------------|---------------------------|------|
| ODTLon | ODT turn on Latency | WL - 2 = CWL + AL - 2 | nCK |
| ODTLoff | ODT turn off Latency | WL - 2 = CWL + AL - 2 | |

8.19.2.2 Timing Parameters

In synchronous ODT mode, the following timing parameters apply (see also Figures 74):

ODTLon, ODTLoff, tAON,min,max, tAOF,min,max.

Minimum RTT turn-on time (tAONmin) is the point in time when the device leaves high impedance and ODT resistance begins to turn on. Maximum RTT turn on time (tAONmax) is the point in time when the ODT resistance is fully on. Both are measured from ODTLon.

Minimum RTT turn-off time (tAOFmin) is the point in time when the device starts to turn off the ODT resistance. Maximum RTT turn off time (tAOFmax) is the point in time when the on-die termination has reached high impedance. Both are measured from ODTLoff.

When ODT is asserted, it must remain high until ODTH4 is satisfied. If a Write command is registered by the SDRAM with ODT high, then ODT must remain high until ODTH4 (BL = 4) or ODTH8 (BL = 8) after the Write command (see Figure 75). ODTH4 and ODTH8 are measured from ODT registered high to ODT registered low or from the registration of a Write command until ODT is registered low.

ODT must be held high for at least ODTH4 after assertion (T1); ODT must be kept high ODTH4 (BL = 4) or ODTH8 (BL = 8) after Write command (T7). ODTH is measured from ODT first registered high to ODT first registered low, or from registration of Write command with ODT high to ODT registered low. Note that although ODTH4 is satisfied from ODT registered high at T6, ODT must not go low before T11 as ODTH4 must also be satisfied from the registration of the Write command at T7.



Figure 74 – Synchronous ODT Timing (AL = 3; CWL = 5; ODTLon = AL + CWL - 2 = 6; ODTLoFF = AL + CWL - 2 = 6)



Figure 75 – Synchronous ODT (BL = 4, WL = 7)



8.19.2.3 ODT during Reads

As the DDR3L SDRAM cannot terminate and drive at the same time, RTT must be disabled at least half a clock cycle before the read preamble by driving the ODT pin low appropriately. RTT may not be enabled until the end of the post-amble as shown in the example below. As shown in Figure 76 below, at cycle T15, DRAM turns on the termination when it stops driving, which is determined by tHZ. If DRAM stops driving early (i.e., tHZ is early), then tAONmin timing may apply. If DRAM stops driving late (i.e., tHZ is late), then DRAM complies with tAONmax timing. Note that ODT may be disabled earlier before the Read and enabled later after the Read than shown in this example in Figure 76.



Figure 76 – ODT must be disabled externally during Reads by driving ODT low.
 (CL = 6; AL = CL - 1 = 5; RL = AL + CL = 11; CWL = 5; ODTLon = CWL + AL - 2 = 8; ODTLoff = CWL + AL - 2 = 8)



8.19.3 Dynamic ODT

In certain application cases and to further enhance signal integrity on the data bus, it is desirable that the termination strength of the DDR3L SDRAM can be changed without issuing an MRS command. This requirement is supported by the “Dynamic ODT” feature as described as follows:

8.19.3.1 Functional Description:

The Dynamic ODT Mode is enabled if bit (A9) or (A10) of MR2 is set to ‘1’. The function is described as follows:

- Two RTT values are available: Rtt_Nom and Rtt_WR.
 - The value for Rtt_Nom is preselected via bits A[9,6,2] in MR1.
 - The value for Rtt_WR is preselected via bits A[10,9] in MR2.
- During operation without write commands, the termination is controlled as follows:
 - Nominal termination strength Rtt_Nom is selected.
 - Termination on/off timing is controlled via ODT pin and latencies ODTLon and ODTLoff.
- When a write command (WR, WRA, WRS4, WRS8, WRAS4, WRAS8) is registered, and if Dynamic ODT is enabled, the termination is controlled as follows:
 - A latency ODTLcnw after the write command, termination strength Rtt_WR is selected.
 - A latency ODTLcwn8 (for BL8, fixed by MRS or selected OTF) or ODTLcwn4 (for BC4, fixed by MRS or selected OTF) after the write command, termination strength Rtt_Nom is selected.
 - Termination on/off timing is controlled via ODT pin and ODTLon, ODTLoff.

Table 11 shows latencies and timing parameters which are relevant for the on-die termination control in Dynamic ODT mode.

The dynamic ODT feature is not supported at DLL-off mode. User must use MRS command to set Rtt_WR, MR2{A10, A9}={0,0}, to disable Dynamic ODT externally.

When ODT is asserted, it must remain high until ODTH4 is satisfied. If a Write command is registered by the SDRAM with ODT high, then ODT must remain high until ODTH4 (BL = 4) or ODTH8 (BL = 8) after the Write command (see Figure 77). ODTH4 and ODTH8 are measured from ODT registered high to ODT registered low or from the registration of a Write command until ODT is registered low.



Table 11 – Latencies and timing parameters relevant for Dynamic ODT

| Name and Description | Abbr. | Defined from | Defined to | Definition for all DDR3L speed bins | Unit |
|--|----------|--------------------------------------|--|--|----------|
| ODT turn-on Latency | ODTLon | Registering external ODT signal high | Turning termination on | $ODTLon = WL - 2$ | tCK |
| ODT turn-off Latency | ODTLoff | Registering external ODT signal low | Turning termination off | $ODTLoff = WL - 2$ | tCK |
| ODT Latency for changing from Rtt_Nom to Rtt_WR | ODTLcnw | Registering external write command | Change RTT strength from Rtt_Nom to Rtt_WR | $ODTLcnw = WL - 2$ | tCK |
| ODT Latency for change from Rtt_WR to Rtt_Nom (BL = 4) | ODTLcwn4 | Registering external write command | Change RTT strength from Rtt_WR to Rtt_Nom | $ODTLcwn4 = 4 + ODTLoff$ | tCK |
| ODT Latency for change from Rtt_WR to Rtt_Nom (BL = 8) | ODTLcwn8 | Registering external write command | Change RTT strength from Rtt_WR to Rtt_Nom | $ODTLcwn8 = 6 + ODTLoff$ | tCK(avg) |
| Minimum ODT high time after ODT assertion | ODTH4 | Registering ODT high | ODT registered low | $ODTH4 = 4$ | tCK(avg) |
| Minimum ODT high time after Write (BL = 4) | ODTH4 | Registering Write with ODT high | ODT registered low | $ODTH4 = 4$ | tCK(avg) |
| Minimum ODT high time after Write (BL = 8) | ODTH8 | Registering Write with ODT high | ODT registered low | $ODTH4 = 6$ | tCK(avg) |
| RTT change skew | tADC | ODTLcnw ODTLcwn | RTT valid | $tADC(min) = 0.3 * tCK(avg)$ $tADC(max) = 0.7 * tCK(avg)$ | tCK(avg) |

Note: tAOFnom and tADCnom are 0.5 tCK (effectively adding half a clock cycle to ODTLoff, ODTcnw and ODTLcwn)

8.19.3.2 ODT Timing Diagrams

The following pages provide exemplary timing diagrams as described in Table 12:

Table 12 – Timing Diagrams for “Dynamic ODT”

| Figure and Page | Description |
|----------------------|--|
| Figure 77 on page 85 | Figure 77, Dynamic ODT: Behavior with ODT being asserted before and after the write |
| Figure 78 on page 86 | Figure 78, Dynamic ODT: Behavior without write command, AL = 0, CWL = 5 |
| Figure 79 on page 86 | Figure 79, Dynamic ODT: Behavior with ODT pin being asserted together with write command for a duration of 6 clock cycles |
| Figure 80 on page 87 | Figure 80, Dynamic ODT: Behavior with ODT pin being asserted together with write command for a duration of 6 clock cycles, example for BC4 (via MRS or OTF), AL = 0, CWL = 5 |
| Figure 81 on page 87 | Figure 81, Dynamic ODT: Behavior with ODT pin being asserted together with write command for a duration of 4 clock cycles |



Figure 77 – Dynamic ODT: Behavior with ODT being asserted before and after the write



Notes:

1. ODT_{H4} is defined from ODT registered high to ODT registered low, so in this example, ODT_{H4} is satisfied.
2. ODT registered low at T₅ would also be legal.

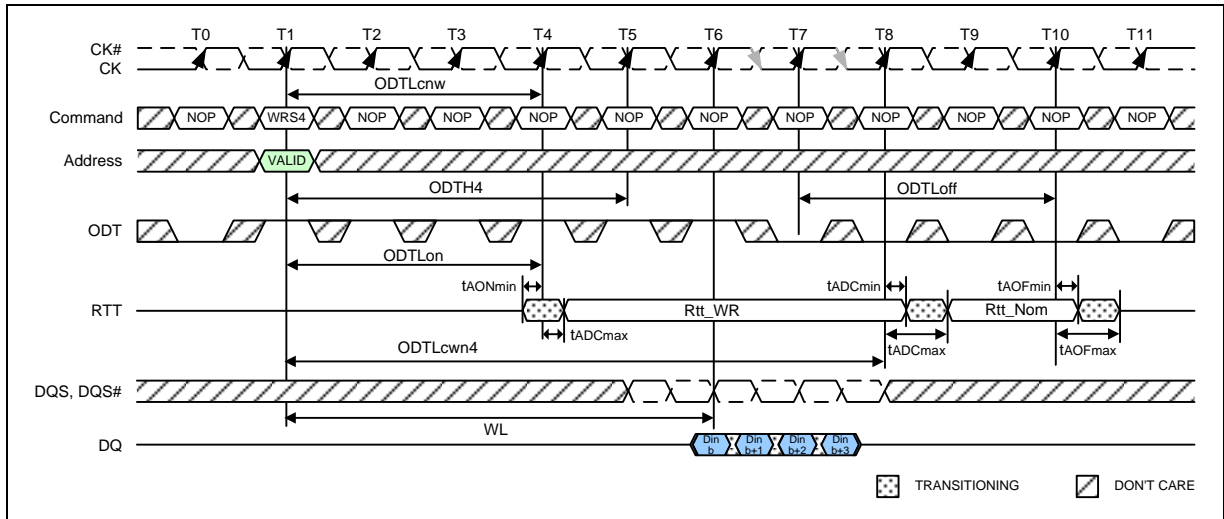
Figure 78 – Dynamic ODT: Behavior without write command, AL = 0, CWL = 5



Note:

1. Example for BL8 (via MRS or OTF), AL = 0, CWL = 5. In this example, ODT_{H8} = 6 is exactly satisfied.

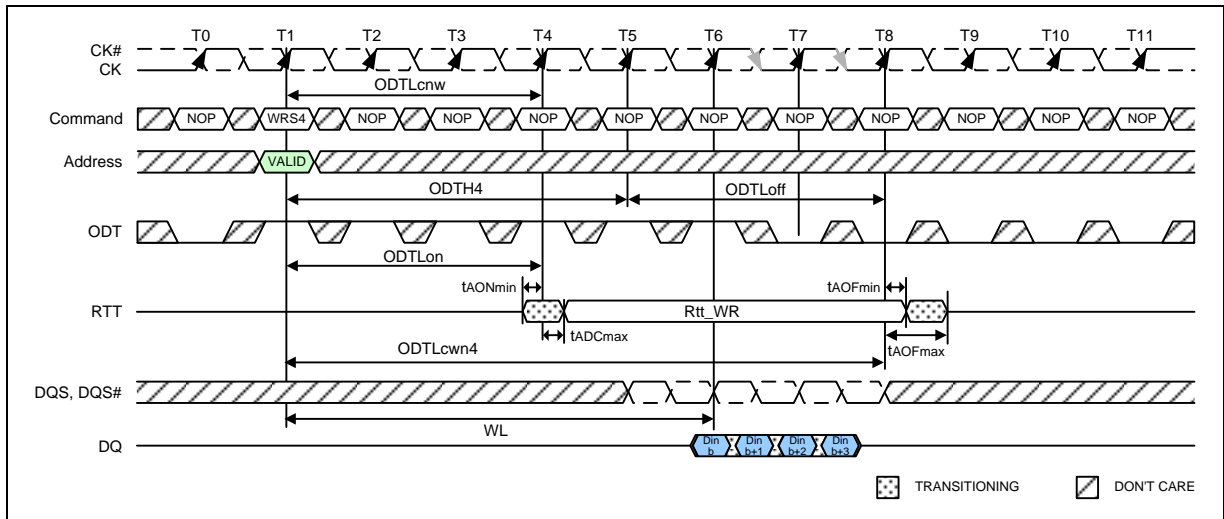
Figure 79 – Dynamic ODT: Behavior with ODT pin being asserted together with write command for a duration of 6 clock cycles



Notes:

1. ODT_{H4} is defined from ODT registered high to ODT registered low, so in this example, ODT_{H4} is satisfied.
2. ODT registered low at T₅ would also be legal.

Figure 80 – Dynamic ODT: Behavior with ODT pin being asserted together with write command for a duration of 6 clock cycles, example for BC4 (via MRS or OTF), AL = 0, CWL = 5



Note:

1. Example for BC4 (via MRS or OTF), AL = 0, CWL = 5. In this example, ODT_{H4} = 4 is exactly satisfied.

Figure 81 – Dynamic ODT: Behavior with ODT pin being asserted together with write command for a duration of 4 clock cycles



8.19.4 Asynchronous ODT Mode

Asynchronous ODT mode is selected when DRAM runs in DLLon mode, but DLL is temporarily disabled (i.e. frozen) in precharge power-down (by MR0 bit A12). Based on the power down mode definitions, this is currently Precharge power down mode if DLL is disabled during precharge power down by MR0 bit A12.

In asynchronous ODT timing mode, internal ODT command is NOT delayed by Additive Latency (AL) relative to the external ODT command.

In asynchronous ODT mode, the following timing parameters apply (see Figure 82): $t_{AONPD,min,max}$, $t_{AOFPD,min,max}$.

Minimum RTT turn-on time ($t_{AONPDmin}$) is the point in time when the device termination circuit leaves high impedance state and ODT resistance begins to turn on. Maximum RTT turn on time ($t_{AONPDmax}$) is the point in time when the ODT resistance is fully on.

$t_{AONPDmin}$ and $t_{AONPDmax}$ are measured from ODT being sampled high.

Minimum RTT turn-off time ($t_{AOFPDmin}$) is the point in time when the devices termination circuit starts to turn off the ODT resistance. Maximum ODT turn off time ($t_{AOFPDmax}$) is the point in time when the on-die termination has reached high impedance. $t_{AOFPDmin}$ and $t_{AOFPDmax}$ are measured from ODT being sampled low.



Figure 82 – Asynchronous ODT Timings on DDR3L SDRAM with fast ODT transition: AL is ignored

In Precharge Power Down, ODT receiver remains active, however no Read or Write command can be issued, as the respective ADD/CMD receivers may be disabled.

Table 13 – Asynchronous ODT Timing Parameters for all Speed Bins

| Symbol | Description | Min. | Max. | Unit |
|-------------|--|------|------|------|
| t_{AONPD} | Asynchronous RTT turn-on delay (Power-Down with DLL frozen) | 2 | 8.5 | nS |
| t_{AOFPD} | Asynchronous RTT turn-off delay (Power-Down with DLL frozen) | 2 | 8.5 | nS |



8.19.4.1 Synchronous to Asynchronous ODT Mode Transitions

Table 14 – ODT timing parameters for Power Down (with DLL frozen) entry and exit transition period

| Description | Min. | Max. |
|---------------------------|---|---|
| ODT to RTT turn-on delay | $\min\{ \text{ODTLon} * \text{tCK}(\text{avg}) + \text{tAONmin}; \text{tAONPDmin} \}$ | $\max\{ \text{ODTLon} * \text{tCK}(\text{avg}) + \text{tAONmax}; \text{tAONPDmax} \}$ |
| | $\min\{ (\text{WL} - 2) * \text{tCK}(\text{avg}) + \text{tAONmin}; \text{tAONPDmin} \}$ | $\max\{ (\text{WL} - 2) * \text{tCK}(\text{avg}) + \text{tAONmax}; \text{tAONPDmax} \}$ |
| ODT to RTT turn-off delay | $\min\{ \text{ODTLoff} * \text{tCK}(\text{avg}) + \text{tAOFmin}; \text{tAOFPDmin} \}$ | $\max\{ \text{ODTLoff} * \text{tCK}(\text{avg}) + \text{tAOFmax}; \text{tAOFPDmax} \}$ |
| | $\min\{ (\text{WL} - 2) * \text{tCK}(\text{avg}) + \text{tAOFmin}; \text{tAOFPDmin} \}$ | $\max\{ (\text{WL} - 2) * \text{tCK}(\text{avg}) + \text{tAOFmax}; \text{tAOFPDmax} \}$ |
| tANPD | WL -1 | |

8.19.4.2 Synchronous to Asynchronous ODT Mode Transition during Power-Down Entry

If DLL is selected to be frozen in Precharge Power Down Mode by the setting of bit A12 in MR0 to “0”, there is a transition period around power down entry, where the DDR3L SDRAM may show either synchronous or asynchronous ODT behavior.

The transition period is defined by the parameters tANPD and tCPDED(min). tANPD is equal to (WL -1) and is counted backwards in time from the clock cycle where CKE is first registered low. tCPDED(min) starts with the clock cycle where CKE is first registered low. The transition period begins with the starting point of tANPD and terminates at the end point of tCPDED(min), as shown in Figure 83. If there is a Refresh command in progress while CKE goes low, then the transition period ends at the later one of tRFC(min) after the Refresh command and the end point of tCPDED(min), as shown in Figure 84. Please note that the actual starting point at tANPD is excluded from the transition period, and the actual end points at tCPDED(min) and tRFC(min), respectively, are included in the transition period.

ODT assertion during the transition period may result in an RTT change as early as the smaller of tAONPDmin and (ODTLon * tCK(avg) + tAONmin) and as late as the larger of tAONPDmax and (ODTLon * tCK(avg) + tAONmax). ODT de-assertion during the transition period may result in an RTT change as early as the smaller of tAOFPDmin and (ODTLoff * tCK(avg) + tAOFmin) and as late as the larger of tAOFPDmax and (ODTLoff * tCK(avg) + tAOFmax). See Table 14.

Note that, if AL has a large value, the range where RTT is uncertain becomes quite large. Figure 83 shows the three different cases: ODT_A, synchronous behavior before tANPD; ODT_B has a state change during the transition period; ODT_C shows a state change after the transition period.



Figure 83 – Synchronous to asynchronous transition during Precharge Power Down (with DLL frozen) entry (AL = 0; CWL = 5; tANPD = WL - 1 = 4)



Figure 84 – Synchronous to asynchronous transition after Refresh command (AL = 0; CWL = 5; $t_{ANPD} = WL - 1 = 4$)



8.19.4.3 Asynchronous to Synchronous ODT Mode Transition during Power-Down Exit

If DLL is selected to be frozen in Precharge Power Down Mode by the setting of bit A12 in MR0 to “0”, there is also a transition period around power down exit, where either synchronous or asynchronous response to a change in ODT must be expected from the DDR3L SDRAM.

This transition period starts t_{ANPD} before CKE is first registered high, and ends t_{XPDLL} after CKE is first registered high. t_{ANPD} is equal to $(WL - 1)$ and is counted (backwards) from the clock cycle where CKE is first registered high.

ODT assertion during the transition period may result in an RTT change as early as the smaller of $t_{AONPDmin}$ and $(ODTLon * t_{CK(avg)} + t_{AONmin})$ and as late as the larger of $t_{AONPDmax}$ and $(ODTLon * t_{CK(avg)} + t_{AONmax})$. ODT de-assertion during the transition period may result in an RTT change as early as the smaller of $t_{AOFPDmin}$ and $(ODTLoFF * t_{CK(avg)} + t_{AOFmin})$ and as late as the larger of $t_{AOFPDmax}$ and $(ODTLoFF * t_{CK(avg)} + t_{AOFmax})$. See Table 14.

Note that, if AL has a large value, the range where RTT is uncertain becomes quite large. Figure 85 shows the three different cases: ODT_C, asynchronous response before t_{ANPD} ; ODT_B has a state change of ODT during the transition period; ODT_A shows a state change of ODT after the transition period with synchronous response.



Figure 85 – Asynchronous to synchronous transition during Precharge Power Down (with DLL frozen) exit (CL = 6; AL = CL - 1; CWL = 5; $t_{ANPD} = WL - 1 = 9$)



8.19.4.4 Asynchronous to Synchronous ODT Mode during short CKE high and short CKE low periods

If the total time in Precharge Power Down state or Idle state is very short, the transition periods for PD entry and PD exit may overlap (see Figure 86). In this case, the response of the DDR3L SDRAMs RTT to a change in ODT state at the input may be synchronous OR asynchronous from the start of the PD entry transition period to the end of the PD exit transition period (even if the entry period ends later than the exit period).

If the total time in Idle state is very short, the transition periods for PD exit and PD entry may overlap. In this case the response of the DDR3L SDRAMs RTT to a change in ODT state at the input may be synchronous OR asynchronous from the start of the PD exit transition period to the end of the PD entry transition period. Note that in the bottom part of Figure 86 it is assumed that there was no Refresh command in progress when Idle state was entered.

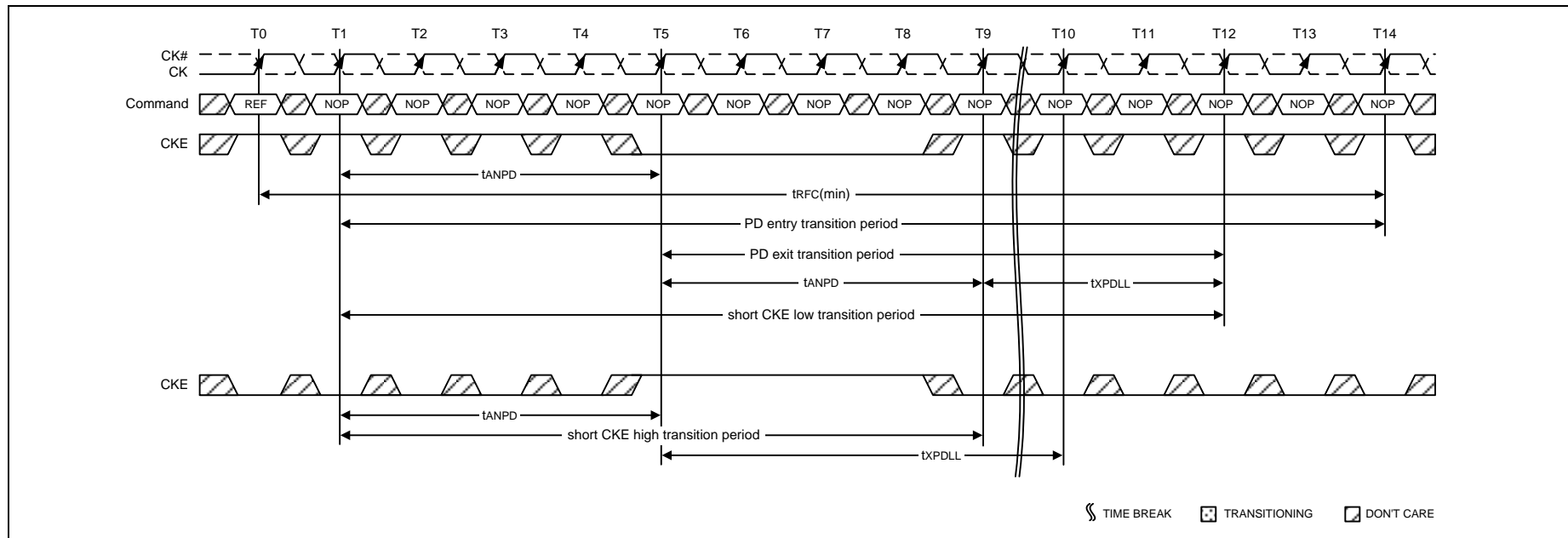


Figure 86 – Transition period for short CKE cycles, entry and exit period overlapping (AL = 0, WL = 5, tANPD = WL - 1 = 4)



9. OPERATION MODE

9.1 Command Truth Table

Notes 1, 2, 3 and 4 apply to the entire Command Truth Table.

Note 5 Applies to all Read/Write commands.

[BA=Bank Address, RA=Row Address, CA=Column Address, BC#=Burst Chop, X=Don't Care, V=Valid]

Table 15 – Command Truth Table

| COMMAND | Abbr. | CKE | | CS# | RAS# | CAS# | WE# | BA0-BA2 | A13-A15 | A12/BC# | A10/AP | A0-A9, A11 | NOTES |
|--|-------|----------------|---------------|-----|------|------|-----|---------|------------------|---------|--------|------------|----------|
| | | Previous Cycle | Current Cycle | | | | | | | | | | |
| Mode Register Set | MRS | H | H | L | L | L | L | BA | OP Code | | | | |
| Refresh | REF | H | H | L | L | L | H | V | V | V | V | V | |
| Self Refresh Entry | SRE | H | L | L | L | L | H | V | V | V | V | V | 7,9,12 |
| Self Refresh Exit | SRX | L | H | H | X | X | X | X | X | X | X | X | 7,8,9,12 |
| | | | | L | H | H | H | V | V | V | V | V | |
| Single Bank Precharge | PRE | H | H | L | L | H | L | BA | V | V | L | V | |
| Precharge all Banks | PREA | H | H | L | L | H | L | V | V | V | H | V | |
| Bank Activate | ACT | H | H | L | L | H | H | BA | Row Address (RA) | | | | |
| Write (Fixed BL8 or BC4) | WR | H | H | L | H | L | L | BA | RFU | V | L | CA | 5 |
| Write (BC4, on the Fly) | WRS4 | H | H | L | H | L | L | BA | RFU | L | L | CA | 5 |
| Write (BL8, on the Fly) | WRS8 | H | H | L | H | L | L | BA | RFU | H | L | CA | 5 |
| Write with Auto Precharge (Fixed BL8 or BC4) | WRA | H | H | L | H | L | L | BA | RFU | V | H | CA | 5 |
| Write with Auto Precharge (BC4, on the Fly) | WRAS4 | H | H | L | H | L | L | BA | RFU | L | H | CA | 5 |
| Write with Auto Precharge (BL8, on the Fly) | WRAS8 | H | H | L | H | L | L | BA | RFU | H | H | CA | 5 |
| Read (Fixed BL8 or BC4) | RD | H | H | L | H | L | H | BA | RFU | V | L | CA | 5 |
| Read (BC4, on the Fly) | RDS4 | H | H | L | H | L | H | BA | RFU | L | L | CA | 5 |
| Read (BL8, on the Fly) | RDS8 | H | H | L | H | L | H | BA | RFU | H | L | CA | 5 |
| Read with Auto Precharge (Fixed BL8 or BC4) | RDA | H | H | L | H | L | H | BA | RFU | V | H | CA | 5 |
| Read with Auto Precharge (BC4, on the Fly) | RDAS4 | H | H | L | H | L | H | BA | RFU | L | H | CA | 5 |
| Read with Auto Precharge (BL8, on the Fly) | RDAS8 | H | H | L | H | L | H | BA | RFU | H | H | CA | 5 |
| No Operation | NOP | H | H | L | H | H | H | V | V | V | V | V | 10 |
| Device Deselected | DES | H | H | H | X | X | X | X | X | X | X | X | 11 |
| Power Down Entry | PDE | H | L | L | H | H | H | V | V | V | V | V | 6,12 |
| | | | | H | X | X | X | X | X | X | X | X | |
| Power Down Exit | PDX | L | H | L | H | H | H | V | V | V | V | V | 6,12 |
| | | | | H | X | X | X | X | X | X | X | X | |
| ZQ Calibration Long | ZQCL | H | H | L | H | H | L | X | X | X | H | X | |
| ZQ Calibration Short | ZQCS | H | H | L | H | H | L | X | X | X | L | X | |

**Notes:**

1. All DDR3L SDRAM commands are defined by states of CS#, RAS#, CAS#, WE# and CKE at the rising edge of the clock. The MSB of BA, RA and CA are device density and configuration dependent.
2. RESET# is Low enable command which will be used only for asynchronous reset so must be maintained HIGH during any function.
3. Bank addresses (BA) determine which bank is to be operated upon. For (E)MRS BA selects an (Extended) Mode Register.
4. "V" means "H or L (but a defined logic level)" and "V" means either "defined or undefined (like floating) logic level".
5. Burst reads or writes cannot be terminated or interrupted and Fixed/on-the-fly BL will be defined by MRS.
6. The Power Down Mode does not perform any refresh operation.
7. The state of ODT does not affect the states described in this table. The ODT function is not available during Self Refresh.
8. Self Refresh Exit is asynchronous.
9. VREF (Both VREFDQ and VREFCA) must be maintained during Self Refresh operation. VREFDQ supply may be turned OFF and VREFDQ may take any value between VSS and VDD during Self Refresh operation, provided that VREFDQ is valid and stable prior to CKE going back High and that first Write operation or first Write Leveling Activity may not occur earlier than 512 nCK after exit from Self Refresh.
10. The No Operation command should be used in cases when the DDR3L SDRAM is in an idle or wait state. The purpose of the No Operation command (NOP) is to prevent the DDR3L SDRAM from registering any unwanted commands between operations. A No Operation command will not terminate a previous operation that is still executing, such as a burst read or write cycle.
11. The Deselect command performs the same function as No Operation command.
12. Refer to the CKE Truth Table for more detail with CKE transition.



9.2 CKE Truth Table

Notes 1-7 apply to the entire CKE Truth Table.

For Power-down entry and exit parameters See 8.17 “Power-Down Modes” on page 69.

CKE low is allowed only if tMRD and tMOD are satisfied.

Table 16 – CKE Truth Table

| CURRENT STATE ² | CKE | | COMMAND (N) ³ RAS#, CAS#, WE#, CS# | ACTION (N) ³ | NOTES |
|----------------------------|--|-----------------------------------|--|----------------------------|-------------|
| | Previous Cycle ¹ (N-1) | Current Cycle ¹ (N) | | | |
| Power Down | L | L | X | Maintain Power Down | 14,15 |
| | L | H | DESELECT or NOP | Power Down Exit | 11,14 |
| Self Refresh | L | L | X | Maintain Self Refresh | 15,16 |
| | L | H | DESELECT or NOP | Self Refresh Exit | 8,12,16 |
| Bank(s) Active | H | L | DESELECT or NOP | Active Power Down Entry | 11,13,14 |
| Reading | H | L | DESELECT or NOP | Power Down Entry | 11,13,14,17 |
| Writing | H | L | DESELECT or NOP | Power Down Entry | 11,13,14,17 |
| Precharging | H | L | DESELECT or NOP | Power Down Entry | 11,13,14,17 |
| Refreshing | H | L | DESELECT or NOP | Precharge Power Down Entry | 11 |
| All Banks Idle | H | L | DESELECT or NOP | Precharge Power Down Entry | 11,13,14,18 |
| | H | L | REFRESH | Self Refresh | 9,13,18 |
| Any other state | Refer to section 9.1 “Command Truth Table” on page 94 for more detail with all command signals | | | | 10 |

Notes:

1. CKE (N) is the logic state of CKE at clock edge N; CKE (N-1) was the state of CKE at the previous clock edge.
2. Current state is defined as the state of the DDR3L SDRAM immediately prior to clock edge N.
3. COMMAND (N) is the command registered at clock edge N, and ACTION (N) is a result of COMMAND (N), ODT is not included here.
4. All states and sequences not shown are illegal or reserved unless explicitly described elsewhere in this document.
5. The state of ODT does not affect the states described in this table. The ODT function is not available during Self Refresh.
6. During any CKE transition (registration of CKE H->L or CKE L->H) the CKE level must be maintained until 1nCK prior to tCKEmin being satisfied (at which time CKE may transition again).
7. DESELECT and NOP are defined in the Command Truth Table.
8. On Self Refresh Exit DESELECT or NOP commands must be issued on every clock edge occurring during the txS period. Read or ODT commands may be issued only after txSDLL is satisfied.
9. Self Refresh mode can only be entered from the All Banks Idle state.
10. Must be a legal command as defined in the Command Truth Table.
11. Valid commands for Power Down Entry and Exit are NOP and DESELECT only.
12. Valid commands for Self Refresh Exit are NOP and DESELECT only.
13. Self Refresh cannot be entered during Read or Write operations. For a detailed list of restrictions See section 8.16 “Self-Refresh Operation” on page 67 and See section 8.17 “Power-Down Modes” on page 69.
14. The Power Down does not perform any refresh operations.
15. “X” means “don't care” (including floating around VREF) in Self Refresh and Power Down. It also applies to Address pins.
16. VREF (Both VREFDQ and VREFCA) must be maintained during Self Refresh operation. VREFDQ supply may be turned OFF and VREFDQ may take any value between VSS and VDD during Self Refresh operation, provided that VREFDQ is valid and stable prior to CKE going back High and that first Write operation or first Write Leveling Activity may not occur earlier than 512 nCK after exit from Self Refresh.
17. If all banks are closed at the conclusion of the read, write or precharge command, then Precharge Power Down is entered, otherwise Active Power Down is entered.
18. 'Idle state' is defined as all banks are closed (tRP, tDAL, etc. satisfied), no data bursts are in progress, CKE is high, and all timings from previous operations are satisfied (tMRD, tMOD, tRFC, tZQinit, tZQoper, tZQCS, etc.) as well as all Self Refresh exit and Power Down Exit parameters are satisfied (txS, txP, txPDLL, etc).



9.3 Simplified State Diagram

This simplified State Diagram is intended to provide an overview of the possible state transitions and the commands to control them. In particular, situations involving more than one bank, the enabling or disabling of on-die termination, and some other events are not captured in full detail.



Figure 87 – Simplified State Diagram

Table 17 – State Diagram Command Definitions

| Abbreviation | Function | Abbreviation | Function | Abbreviation | Function |
|--------------|---------------------|--------------|-----------------------|--------------|------------------------|
| ACT | Active | Read | RD, RDS4, RDS8 | PDE | Enter Power-down |
| PRE | Precharge | Read A | RDA, RDAS4, RDAS8 | PDX | Exit Power-down |
| PREA | Precharge All | Write | WR, WRS4, WRS8 | SRE | Self-Refresh entry |
| MRS | Mode Register Set | Write A | WRA, WRAS4, WRAS8 | SRX | Self-Refresh exit |
| REF | Refresh | RESET | Start RESET Procedure | MPR | Multi-Purpose Register |
| ZQCL | ZQ Calibration Long | ZQCS | ZQ Calibration Short | - | - |

NOTE: See “Command Truth Table” on page 94 for more details



10. ELECTRICAL CHARACTERISTICS

10.1 Absolute Maximum Ratings

| PARAMETER | SYMBOL | RATING | UNIT | NOTES |
|-------------------------------------|-----------|--------------|------|-------|
| Voltage on VDD pin relative to VSS | VDD | -0.4 ~ 1.975 | V | 1, 3 |
| Voltage on VDDQ pin relative to VSS | VDDQ | -0.4 ~ 1.975 | V | 1, 3 |
| Voltage on any pin relative to VSS | VIN, VOUT | -0.4 ~ 1.975 | V | 1 |
| Storage Temperature | TSTG | -55 ~ 150 | °C | 1, 2 |

Notes:

- Stresses greater than those listed under "Absolute Maximum Ratings" may cause permanent damage to the device. This is a stress rating only and functional operation of the device at these or any other conditions above those indicated in the operational sections of this specification is not implied. Exposure to absolute maximum rating conditions for extended periods may affect reliability.
- Storage Temperature is the case surface temperature on the center/top side of the DRAM. For the measurement conditions, please refer to JEDEC JESD51-2 standard.
- VDD and VDDQ must be within 300 mV of each other at all times. VREFDQ and VREFCA must not greater than 0.6 x VDDQ. When VDD and VDDQ are less than 500 mV, VREFDQ and VREFCA may be equal to or less than 300 mV.

10.2 Operating Temperature Condition

| PARAMETER | SYMBOL | RATING | UNIT | NOTES |
|---|--------|-----------|------|---------|
| Commercial operating temperature range (for -09/-11/-12/-15) | TOPER | 0 ~ 85 | °C | 1, 2 |
| | | 0 ~ 95 | °C | 1, 2, 4 |
| Industrial operating temperature range (for 09I/11I/12I/15I) | TOPER | -40 ~ 85 | °C | 1, 3 |
| | | -40 ~ 95 | °C | 1, 3, 4 |
| Industrial Plus operating temperature range (for 09J/11J/12J/15J) | TOPER | -40 ~ 85 | °C | 1, 3 |
| | | -40 ~ 105 | °C | 1, 3, 4 |

Notes:

- Operating Temperature TOPER is the case surface temperature on the center / top side of the DRAM. For measurement conditions, please refer to the JEDEC document JEDEC JESD51-2.
- During operation, the DRAM case temperature must be maintained between 0 to 95°C for Commercial parts under all specification parameters.
- During operation, the DRAM case temperature must be maintained between -40 to 95°C for Industrial parts and -40 to 105°C for Industrial Plus parts under all specification parameters.
- Some applications require operation of the 85°C < TCASE ≤ 105°C operating temperature. Full specifications are provided in this range, but the following additional conditions apply:
 - Refresh commands have to be doubled in frequency, therefore reducing the Refresh interval tREFI to 3.9 μs.
 - If Self-Refresh operation is required in 85°C < TCASE ≤ 105°C operating temperature range, then it is mandatory to either use the Manual Self-Refresh mode with Extended Temperature Range capability (MR2 A6 = 0_b and MR2 A7 = 1_b) or enable the Auto Self-Refresh mode (ASR) (MR2 A6 = 1_b, MR2 A7 is don't care).

10.3 DC & AC Operating Conditions

10.3.1 Recommended DC Operating Conditions

| SYM. | PARAMETER | MIN. | TYP. | MAX. | UNIT | NOTES |
|------|--|-------|-------|-------|------|-------|
| VDD | Supply Voltage | 1.283 | 1.35 | 1.45 | V | 1, 2 |
| VDDQ | Supply Voltage for Output | 1.283 | 1.35 | 1.45 | V | 1, 2 |
| RZQ | External Calibration Resistor connected from ZQ ball to ground | 237.6 | 240.0 | 242.4 | Ω | 3 |

Notes:

- Under all conditions VDDQ must be less than or equal to VDD.
- VDDQ tracks with VDD. AC parameters are measured with VDD and VDDQ tied together.
- The external calibration resistor RZQ can be time-shared among DRAMs in special applications.



10.4 Input and Output Leakage Currents

| SYMBOL | PARAMETER | MIN. | MAX. | UNIT | NOTES |
|--------|--|------|------|---------|-------|
| IIL | Input Leakage Current ($0V \leq V_{IN} \leq V_{DD}$) | -2 | 2 | μA | 1 |
| IOL | Output Leakage Current (Output disabled, $0V \leq V_{OUT} \leq V_{DDQ}$) | -5 | 5 | μA | 2 |

Notes:

1. All other balls not under test = 0 V.
2. All DQ, DQS and DQS# are in high-impedance mode.

10.5 Interface Test Conditions

Figure 88 represents the effective reference load of 25 ohms used in defining the relevant AC timing parameters of the device as well as output slew rate measurements.

It is not intended as a precise representation of any particular system environment or a depiction of the actual load presented by a production tester. System designers should use IBIS or other simulation tools to correlate the timing reference load to a system environment. Manufacturers correlate to their production test conditions, generally one or more coaxial transmission lines terminated at the tester electronics.



Figure 88 – Reference Load for AC Timings and Output Slew Rates

The Timing Reference Points are the idealized input and output nodes / terminals on the outside of the packaged SDRAM device as they would appear in a schematic or an IBIS model.

The output timing reference voltage level for single ended signals is the cross point with V_{TT} .

The output timing reference voltage level for differential signals is the cross point of the true (e.g. DQS) and the complement (e.g. DQS#) signal.



10.6 DC and AC Input Measurement Levels

10.6.1 DC and AC Input Levels for Single-Ended Command and Address Signals

Table 18 – Single-Ended DC and AC Input Levels for Command and Address

| PARAMETER | SYMBOL | DDR3L-1333/1600 | | DDR3L-1866/2133 | | UNIT | NOTES |
|---------------------------------------|---------------|-----------------|--------------|-----------------|--------------|------|---------|
| | | MIN. | MAX. | MIN. | MAX. | | |
| DC input logic high | VIH.CA(DC90) | VREF + 0.09 | VDD | VREF + 0.09 | VDD | V | 1, 5 |
| DC input logic low | VIL.CA(DC90) | VSS | VREF - 0.09 | VSS | VREF - 0.09 | V | 1, 6 |
| AC input logic high | VIH.CA(AC160) | VREF + 0.160 | Note 2 | - | - | V | 1, 2, 7 |
| AC input logic low | VIL.CA(AC160) | Note 2 | VREF - 0.160 | - | - | V | 1, 2, 8 |
| AC input logic high | VIH.CA(AC135) | VREF + 0.135 | Note 2 | VREF + 0.135 | Note 2 | V | 1, 2, 7 |
| AC input logic low | VIL.CA(AC135) | Note 2 | VREF - 0.135 | Note 2 | VREF - 0.135 | V | 1, 2, 8 |
| AC input logic high | VIH.CA(AC125) | - | - | VREF + 0.125 | Note 2 | V | 1, 2, 7 |
| AC input logic low | VIL.CA(AC125) | - | - | Note 2 | VREF - 0.125 | V | 1, 2, 8 |
| Reference Voltage for ADD, CMD inputs | VREFCA(DC) | 0.49 x VDD | 0.51 x VDD | 0.49 x VDD | 0.51 x VDD | V | 3, 4, 9 |

Notes:

- For input only pins except RESET#. VREF = VREFCA(DC).
- See section 10.12 “Overshoot and Undershoot Specifications” on page 120.
- The AC peak noise on VREF may not allow VREF to deviate from VREFCA(DC) by more than $\pm 1\%$ VDD (for reference: approx. ± 13.5 mV).
- For reference: approx. $VDD/2 \pm 13.5$ mV.
- VIH(DC) is used as a simplified symbol for VIH.CA(DC90).
- VIL(DC) is used as a simplified symbol for VIL.CA(DC90).
- VIH(AC) is used as a simplified symbol for VIH.CA(AC160), VIH.CA(AC135) and VIH.CA(AC125); VIH.CA(AC160) value is used when VREF + 0.16V is referenced, VIH.CA(AC135) value is used when VREF + 0.135V is referenced and VIH.CA(AC125) value is used when VREF + 0.125V is referenced.
- VIL(AC) is used as a simplified symbol for VIL.CA(AC160), VIL.CA(AC135) and VIL.CA(AC125); VIL.CA(AC160) value is used when VREF - 0.16V is referenced, VIL.CA(AC135) value is used when VREF - 0.135V is referenced and VIL.CA(AC125) value is used when VREF - 0.125V is referenced.
- VREFCA(DC) is measured relative to VDD at the same point in time on the same device.

10.6.2 DC and AC Input Levels for Single-Ended Data Signals

Table 19 – Single-Ended DC and AC Input Levels for DQ and DM

| PARAMETER | SYMBOL | DDR3L-1333/1600 | | DDR3L-1866/2133 | | UNIT | NOTES |
|-------------------------------------|---------------|-----------------|--------------|-----------------|--------------|------|---------|
| | | MIN. | MAX. | MIN. | MAX. | | |
| DC input logic high | VIH.DQ(DC90) | VREF + 0.09 | VDD | VREF + 0.09 | VDD | V | 1, 5 |
| DC input logic low | VIL.DQ(DC90) | VSS | VREF - 0.09 | VSS | VREF - 0.09 | V | 1, 6 |
| AC input logic high | VIH.DQ(AC135) | VREF + 0.135 | Note 2 | - | - | V | 1, 2, 7 |
| AC input logic low | VIL.DQ(AC135) | Note 2 | VREF - 0.135 | - | - | V | 1, 2, 8 |
| AC input logic high | VIH.DQ(AC130) | - | - | VREF + 0.130 | Note 2 | V | 1, 2, 7 |
| AC input logic low | VIL.DQ(AC130) | - | - | Note 2 | VREF - 0.130 | V | 1, 2, 8 |
| Reference Voltage for DQ, DM inputs | VREFDQ(DC) | 0.49 x VDD | 0.51 x VDD | 0.49 x VDD | 0.51 x VDD | V | 3, 4, 9 |

Notes:

- VREF = VREFDQ(DC).
- See section 10.12 “Overshoot and Undershoot Specifications” on page 120.
- The AC peak noise on VREF may not allow VREF to deviate from VREFDQ(DC) by more than $\pm 1\%$ VDD (for reference: approx. ± 13.5 mV).
- For reference: approx. $VDD/2 \pm 13.5$ mV.
- VIH(DC) is used as a simplified symbol for VIH.DQ(DC90).
- VIL(DC) is used as a simplified symbol for VIL.DQ(DC90).
- VIH(AC) is used as a simplified symbol for VIH.DQ(AC135) and VIH.DQ(AC130); VIH.DQ(AC135) value is used when VREF + 0.135V is referenced and VIH.DQ(AC130) value is used when VREF + 0.13V is referenced.
- VIL(AC) is used as a simplified symbol for VIL.DQ(AC135) and VIL.DQ(AC130); VIL.DQ(AC135) value is used when VREF - 0.135V is referenced and VIL.DQ(AC130) value is used when VREF - 0.13V is referenced.
- VREFDQ(DC) is measured relative to VDD at the same point in time on the same device.



The DC-tolerance limits and AC-noise limits for the reference voltages VREFCA and VREFDQ are illustrated in Figure 89. It shows a valid reference voltage VREF(t) as a function of time. (VREF stands for VREFCA and VREFDQ likewise).

VREF(DC) is the linear average of VREF(t) over a very long period of time (e.g., 1 sec). This average has to meet the min/max requirements in Table 18. Furthermore VREF(t) may temporarily deviate from VREF(DC) by no more than $\pm 1\%$ VDD.



Figure 89 – Illustration of VREF(DC) tolerance and VREF AC-noise limits

The voltage levels for setup and hold time measurements $V_{IH}(AC)$, $V_{IH}(DC)$, $V_{IL}(AC)$, and $V_{IL}(DC)$ are dependent on VREF.

“VREF” shall be understood as VREF(DC), as defined in Figure 89.

This clarifies that DC-variations of VREF affect the absolute voltage a signal has to reach to achieve a valid high or low level and therefore the time to which setup and hold is measured. System timing and voltage budgets need to account for VREF(DC) deviations from the optimum position within the data-eye of the input signals.

This also clarifies that the DRAM setup/hold specification and derating values need to include time and voltage associated with VREF AC-noise. Timing and voltage effects due to AC-noise on VREF up to the specified limit ($\pm 1\%$ of VDD) are included in DRAM timings and their associated deratings.



10.6.3 Differential swing requirements for clock (CK - CK#) and strobe (DQS - DQS#)

Table 20 – Differential DC and AC Input Level

| PARAMETER | SYM. | DDR3L-1333/1600/1866/2133 | | UNIT | NOTES |
|----------------------------|--------------|---------------------------|----------------------|------|-------|
| | | MIN. | MAX. | | |
| Differential input high | VIH.DIFF | +0.180 | Note 3 | V | 1 |
| Differential input low | VIL.DIFF | Note 3 | -0.180 | V | 1 |
| Differential input high AC | VIH.DIFF(AC) | 2 x (VIH(AC) - VREF) | Note 3 | V | 2 |
| Differential input low AC | VIL.DIFF(AC) | Note 3 | 2 x (VIL(AC) - VREF) | V | 2 |

Notes:

- Used to define a differential signal slew-rate.
- For CK - CK# use VIH.CA(AC)/VIL.CA(AC) of ADD/CMD and VREFCA; for DQS, DQS# use VIH.DQ(AC)/VIL.DQ(AC) of DQs and VREFDQ; if a reduced AC-high or AC-low level is used for a signal group, then the reduced level applies also here.
- These values are not defined; however, the single-ended signals CK, CK#, DQS, DQS# need to be within the respective limits (VIH(DC) max, VIL(DC)min) for single-ended signals as well as the limitations for overshoot and undershoot. Refer to section 10.12 “Overshoot and Undershoot Specifications” on page 120.



Figure 90 – Definition of differential ac-swing and “time above AC-level” tdVAC



Table 21 – Allowed time before ringback (tdvac) for CK - CK# and DQS - DQS#

| Slew Rate [V/nS] | DDR3L-1333/1600 | | | | DDR3L-1866/2133 | | | | | |
|------------------|--------------------------------------|------|--------------------------------------|------|--------------------------------------|------|--------------------------------------|------|--------------------------------------|------|
| | tDVAC [pS] @ VIH/LDIFF(AC) = 320mV | | tDVAC [pS] @ VIH/LDIFF(AC) = 270mV | | tDVAC [pS] @ VIH/LDIFF(AC) = 270mV | | tDVAC [pS] @ VIH/LDIFF(AC) = 250mV | | tDVAC [pS] @ VIH/LDIFF(AC) = 260mV | |
| | Min. | Max. | Min. | Max. | Min. | Max. | Min. | Max. | Min. | Max. |
| > 4.0 | 189 | - | 201 | - | 163 | - | 168 | | 176 | - |
| 4.0 | 189 | - | 201 | - | 163 | - | 168 | | 176 | - |
| 3.0 | 162 | - | 179 | - | 140 | - | 147 | | 154 | - |
| 2.0 | 109 | - | 134 | - | 95 | - | 105 | | 111 | - |
| 1.8 | 91 | - | 119 | - | 80 | - | 91 | | 97 | - |
| 1.6 | 69 | - | 100 | - | 62 | - | 74 | | 78 | - |
| 1.4 | 40 | - | 76 | - | 37 | - | 52 | | 56 | - |
| 1.2 | Note | - | 44 | - | 5 | - | 22 | | 24 | - |
| 1.0 | Note | - | Note | - | Note | - | Note | | Note | - |
| < 1.0 | Note | - | Note | | Note | - | Note | | Note | - |

Note:

Rising input signal shall become equal to or greater than VIH(AC) level and Falling input signal shall become equal to or less than VIL(AC) level.

10.6.4 Single-ended requirements for differential signals

Each individual component of a differential signal (CK, DQS, CK#, DQS#) has also to comply with certain requirements for single-ended signals.

CK and CK# have to approximately reach VSEHmin / VSELmax (approximately equal to the AC-levels (VIH.CA(AC) / VIL.CA(AC)) for ADD/CMD signals) in every half-cycle.

DQS, DQS # have to reach VSEHmin / VSELmax (approximately the AC-levels (VIH.DQ(AC) / VIL.DQ(AC)) for DQ signals) in every half-cycle preceding and following a valid transition.

Note that the applicable ac-levels for ADD/CMD and DQ's might be different per speed-bin etc. E.g., if VIH.CA(AC135)/VIL.CA(AC135) is used for ADD/CMD signals, then these AC-levels apply also for the single-ended signals CK and CK#.

Table 22 – Single-ended levels for CK, DQS, CK#, DQS#

| PARAMETER | SYMBOL | DDR3L-1333/1600/1866/2133 | | UNIT | NOTES |
|-------------------------------------|--------|---------------------------|-----------------|------|-------|
| | | MIN. | MAX. | | |
| Single-ended high level for strobes | VSEH | (VDD/2) + 0.160 | Note 3 | V | 1, 2 |
| Single-ended high level for CK, CK# | | (VDD/2) + 0.160 | Note 3 | V | 1, 2 |
| Single-ended low level for strobes | VSEL | Note 3 | (VDD/2) - 0.160 | V | 1, 2 |
| Single-ended low level for CK, CK# | | Note 3 | (VDD/2) - 0.160 | V | 1, 2 |

Notes:

- For CK, CK# use VIH.CA(AC) / VIL.CA(AC) of ADD/CMD; for strobes (DQS, DQS#) use VIH.DQ(AC) / VIL.DQ(AC) of DQs.
- VIH.DQ(AC) / VIL.DQ(AC) for DQs is based on VREFDQ; VIH.CA(AC) / VIL.CA(AC) for ADD/CMD is based on VREFCA; if a reduced AC-high or AC-low level is used for a signal group, then the reduced level applies also here.
- These values are not defined; however, the single-ended signals K, CK#, DQS, DQS# need to be within the respective limits (VIH(DC) max, VIL(DC)min) for single-ended signals as well as the limitations for overshoot and undershoot. Refer to section 10.12 "Overshoot and Undershoot Specifications" on page 120.

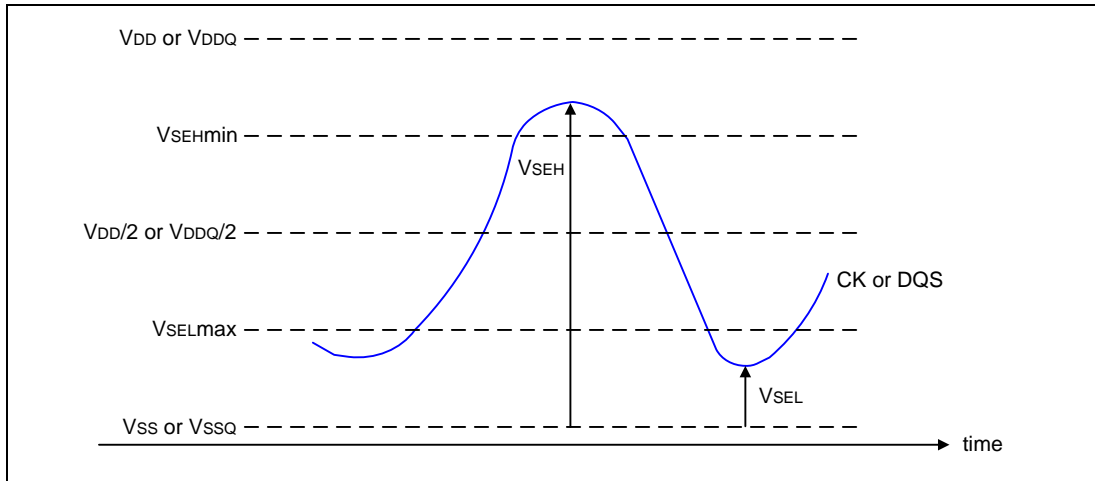


Figure 91 – Single-ended requirement for differential signals

Note that, while ADD/CMD and DQ signal requirements are with respect to V_{REF} , the single-ended components of differential signals have a requirement with respect to $V_{DD}/2$; this is nominally the same. The transition of single-ended signals through the AC-levels is used to measure setup time. For single-ended components of differential signals the requirement to reach V_{SELmax} , V_{SEHmin} has no bearing on timing, but adds a restriction on the common mode characteristics of these signals.

10.6.5 Differential Input Cross Point Voltage

To guarantee tight setup and hold times as well as output skew parameters with respect to clock and strobe, each cross point voltage of differential input signals (CK, CK# and DQS, DQS#) must meet the requirements in Table 23. The differential input cross point voltage V_{IX} is measured from the actual cross point of true and complement signals to the midlevel between of V_{DD} and V_{SS} .

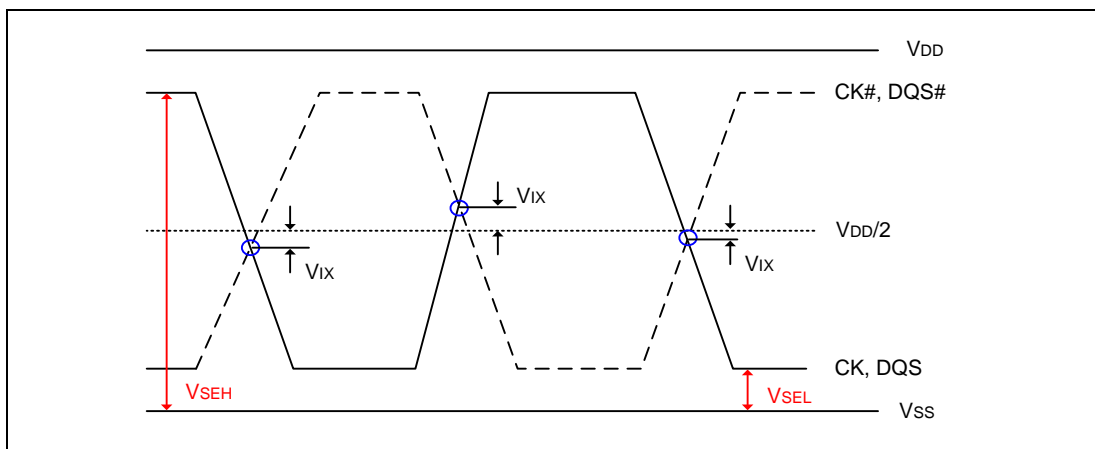


Figure 92 – V_{IX} Definition



Table 23 – Cross point voltage for differential input signals (CK, DQS)

| PARAMETER | SYMBOL | DDR3L-1333/1600/1866/2133 | | UNIT | NOTES |
|--|----------|---------------------------|------|------|-------|
| | | MIN. | MAX. | | |
| Differential Input Cross Point Voltage relative to VDD/2 for CK, CK# | VIX(CK) | -150 | 150 | mV | 1 |
| Differential Input Cross Point Voltage relative to VDD/2 for DQS, DQS# | VIX(DQS) | -150 | 150 | mV | |

Note:

- The relation between VIX Min/Max and VSEL/VSEH should satisfy following.

$$(VDD/2) + VIX (\text{Min}) - VSEL \geq 25\text{mV}$$

$$VSEH - ((VDD/2) + VIX (\text{Max})) \geq 25\text{mV}$$

10.6.6 Slew Rate Definitions for Single-Ended Input Signals

See section 10.16.4 “Address / Command Setup, Hold and Derating” on page 149 for single-ended slew rate definitions for address and command signals.

See section 10.16.5 “Data Setup, Hold and Slew Rate Derating” on page 156 for single-ended slew rate definitions for data signals.

10.6.7 Slew Rate Definitions for Differential Input Signals

Input slew rate for differential signals (CK, CK# and DQS, DQS#) are defined and measured as shown in Table 24 and Figure 93.

Table 24 – Differential Input Slew Rate Definition

| Description | Measured | | Defined by |
|---|-------------|-------------|--|
| | from | to | |
| Differential input slew rate for rising edge (CK - CK# and DQS - DQS#) | VIL.DIFFmax | VIH.DIFFmin | $[VIH.DIFFmin - VIL.DIFFmax] / \Delta TR.DIFF$ |
| Differential input slew rate for falling edge (CK - CK# and DQS - DQS#) | VIH.DIFFmin | VIL.DIFFmax | $[VIH.DIFFmin - VIL.DIFFmax] / \Delta TF.DIFF$ |

Note: The differential signal (i.e., CK - CK# and DQS - DQS#) must be linear between these thresholds

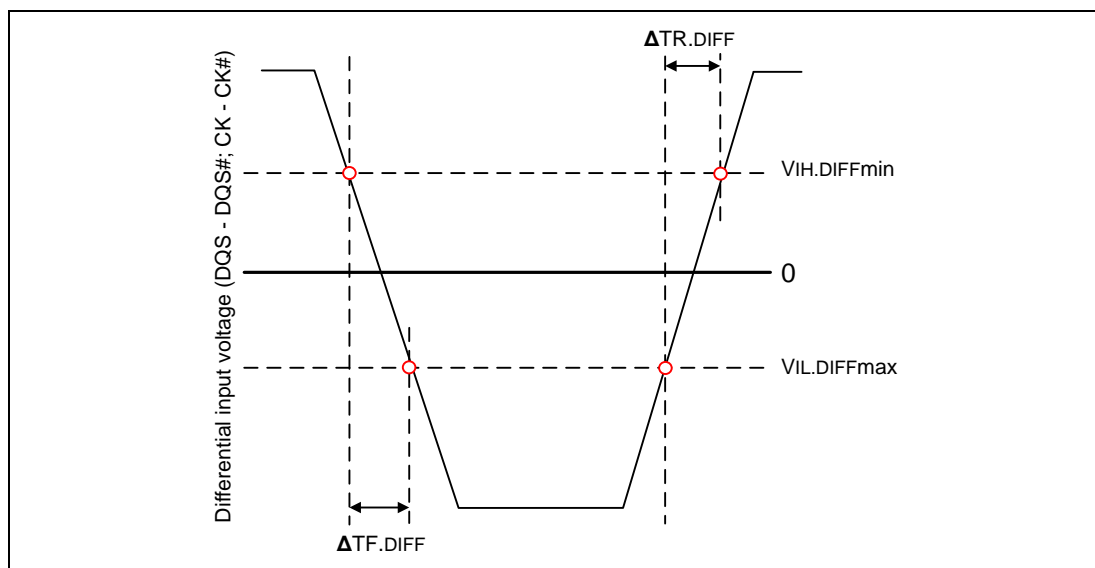


Figure 93 – Differential Input Slew Rate Definition for DQS, DQS# and CK, CK#



10.7 DC and AC Output Measurement Levels

Table 25 – Single-ended DC and AC Output Levels

| PARAMETER | SYMBOL | VALUE | UNIT | NOTES |
|---|---------|-------------------------------|------|-------|
| DC output high measurement level (for IV curve linearity) | VOH(DC) | $0.8 \times V_{DDQ}$ | V | |
| DC output mid measurement level (for IV curve linearity) | VOM(DC) | $0.5 \times V_{DDQ}$ | V | |
| DC output low measurement level (for IV curve linearity) | VOL(DC) | $0.2 \times V_{DDQ}$ | V | |
| AC output high measurement level (for output slew rate) | VOH(AC) | $V_{TT} + 0.1 \times V_{DDQ}$ | V | 1 |
| AC output low measurement level (for output slew rate) | VOL(AC) | $V_{TT} - 0.1 \times V_{DDQ}$ | V | 1 |

Note:

- The swing of $\pm 0.1 \times V_{DDQ}$ is based on approximately 50% of the static single-ended output high or low swing with a driver impedance of 34Ω and an effective test load of 25Ω to $V_{TT} = V_{DDQ}/2$.

Table 26 – Differential DC and AC Output Levels

| PARAMETER | SYMBOL | VALUE | | UNIT | NOTES |
|--|--------------|-----------------------|------|------|-------|
| | | MIN. | MAX. | | |
| AC differential output high measurement level (for output slew rate) | VOH.DIFF(AC) | $+0.2 \times V_{DDQ}$ | | V | 1 |
| AC differential output low measurement level (for output slew rate) | VOL.DIFF(AC) | $-0.2 \times V_{DDQ}$ | | V | 1 |

Note:

- The swing of $\pm 0.2 \times V_{DDQ}$ is based on approximately 50% of the static single-ended output high or low swing with a driver impedance of 34Ω and an effective test load of 25Ω to $V_{TT} = V_{DDQ}/2$ at each of the differential outputs.

10.7.1 Output Slew Rate Definition and Requirements

The slew rate definition depends if the signal is single-ended or differential. For the relevant AC output reference levels see above Table 25 and Table 26.

Table 27 – Output Slew Rate

| PARAMETER | SYMBOL | DDR3L-1333/1600/1866/2133 | | UNIT | NOTES |
|-------------------------------|---------|---------------------------|-----------------|------|---------|
| | | MIN. | MAX. | | |
| Single-ended Output Slew Rate | SRQse | 1.75 | 5 ¹⁾ | V/nS | 1, 2, 3 |
| Differential Output Slew Rate | SRQdiff | 3.5 | 12 | V/nS | 2, 3 |

Notes:

- In two cases, a maximum slew rate of 6 V/nS applies for a single DQ signal within a byte lane.
 - **Case 1** is defined for a single DQ signal within a byte lane which is switching into a certain direction (either from high to low or low to high) while all remaining DQ signals in the same byte lane are static (i.e they stay at either high or low).
 - **Case 2** is defined for a single DQ signal within a byte lane which is switching into a certain direction (either from high to low or low to high) while all remaining DQ signals in the same byte lane are switching into the opposite direction (i.e. from low to high or high to low respectively). For the remaining DQ signal switching into the opposite direction, the regular maximum limit of 5 V/nS applies.
- Background for Symbol Nomenclature: SR: Slew Rate; Q: Query Output (like in DQ, which stands for Data-in, Query-Output); se: Single-ended Signals; diff: Differential Signals.
- For RON = RZQ/7 settings only.



10.7.1.1 Single Ended Output Slew Rate

With the reference load for timing measurements, output slew rate for falling and rising edges is defined and measured between VOL(AC) and VOH(AC) for single ended signals as shown in Table 28 and Figure 94.

Table 28 – Single-ended Output Slew Rate Definition

| Description | Measured | | Defined by |
|--|----------|---------|-------------------------------------|
| | from | to | |
| Single-ended output slew rate for rising edge | VOL(AC) | VOH(AC) | $[VOH(AC) - VOL(AC)] / \Delta TRse$ |
| Single-ended output slew rate for falling edge | VOH(AC) | VOL(AC) | $[VOH(AC) - VOL(AC)] / \Delta TFse$ |

Note: Output slew rate is verified by design and characterization, and may not be subject to production test.



Figure 94 –Single-ended Output Slew Rate Definition



10.7.1.2 Differential Output Slew Rate

With the reference load for timing measurements, output slew rate for falling and rising edges is defined and measured between VOL.DIFF(AC) and VOH.DIFF(AC) for differential signals as shown in Table 29 and Figure 95.

Table 29 – Differential Output Slew Rate Definition

| Description | Measured | | Defined by |
|--|--------------|--------------|--|
| | from | to | |
| Differential output slew rate for rising edge | VOL.DIFF(AC) | VOH.DIFF(AC) | $[VOH.DIFF(AC) - VOL.DIFF(AC)] / \Delta TR_{diff}$ |
| Differential output slew rate for falling edge | VOH.DIFF(AC) | VOL.DIFF(AC) | $[VOH.DIFF(AC) - VOL.DIFF(AC)] / \Delta TF_{diff}$ |

Note: Output slew rate is verified by design and characterization, and may not be subject to production test.



Figure 95 – Differential Output Slew Rate Definition



10.8 34 Ohm Output Driver DC Electrical Characteristics

A functional representation of the output buffer is shown in Figure 96. Output driver impedance R_{ON} is selected by bits “D.I.C” A1 and A5 in the MR1 Register. Four different values can be selected via MR1 settings:

$$R_{ON34} = R_{ZQ} / 7 \text{ (nominal } 34.3 \Omega \pm 10\% \text{ with nominal } R_{ZQ} = 240 \Omega)$$

$$R_{ON40} = R_{ZQ} / 6 \text{ (nominal } 40.0 \Omega \pm 10\% \text{ with nominal } R_{ZQ} = 240 \Omega)$$

The individual pull-up and pull-down resistors ($R_{ON_{Pu}}$ and $R_{ON_{Pd}}$) are defined as follows:

$$R_{ON_{Pu}} = \frac{V_{DDQ} - V_{Out}}{|I_{Out}|} \quad \text{under the condition that } R_{ON_{Pd}} \text{ is turned off}$$

$$R_{ON_{Pd}} = \frac{V_{Out}}{|I_{Out}|} \quad \text{under the condition that } R_{ON_{Pu}} \text{ is turned off}$$



Figure 96 – Output Driver: Definition of Voltages and Currents



Table 30 – Output Driver DC Electrical Characteristics, assuming RZQ = 240 Ω; entire operating temperature range; after proper ZQ calibration

| RONom | Resistor | VOUT | MIN. | NOM. | MAX. | UNIT | NOTES |
|---|--------------------|--------------------|------|------|------|---------|---------|
| 34 Ω | RON34Pd | VOLDC = 0.2 × VDDQ | 0.6 | 1.0 | 1.15 | RZQ/7 | 1, 2, 3 |
| | | VOMDC = 0.5 × VDDQ | 0.9 | 1.0 | 1.15 | RZQ/7 | 1, 2, 3 |
| | | VOHDC = 0.8 × VDDQ | 0.9 | 1.0 | 1.45 | RZQ/7 | 1, 2, 3 |
| | RON34Pu | VOLDC = 0.2 × VDDQ | 0.9 | 1.0 | 1.45 | RZQ/7 | 1, 2, 3 |
| | | VOMDC = 0.5 × VDDQ | 0.9 | 1.0 | 1.15 | RZQ/7 | 1, 2, 3 |
| | | VOHDC = 0.8 × VDDQ | 0.6 | 1.0 | 1.15 | RZQ/7 | 1, 2, 3 |
| 40 Ω | RON40Pd | VOLDC = 0.2 × VDDQ | 0.6 | 1.0 | 1.15 | RZQ/6 | 1, 2, 3 |
| | | VOMDC = 0.5 × VDDQ | 0.9 | 1.0 | 1.15 | RZQ/6 | 1, 2, 3 |
| | | VOHDC = 0.8 × VDDQ | 0.9 | 1.0 | 1.45 | RZQ/6 | 1, 2, 3 |
| | RON40Pu | VOLDC = 0.2 × VDDQ | 0.9 | 1.0 | 1.45 | RZQ/6 | 1, 2, 3 |
| | | VOMDC = 0.5 × VDDQ | 0.9 | 1.0 | 1.15 | RZQ/6 | 1, 2, 3 |
| | | VOHDC = 0.8 × VDDQ | 0.6 | 1.0 | 1.15 | RZQ/6 | 1, 2, 3 |
| Mismatch between pull-up and pull-down, MM_{PuPd} | VOMDC = 0.5 × VDDQ | -10 | | +10 | % | 1, 2, 4 | |

Notes:

1. The tolerance limits are specified after calibration with stable voltage and temperature. For the behavior of the tolerance limits if temperature or voltage changes after calibration, see following section on voltage and temperature sensitivity.
2. The tolerance limits are specified under the condition that VDDQ = VDD and that VSSQ = VSS.
3. Pull-down and pull-up output driver impedances are recommended to be calibrated at 0.5 × VDDQ. Other calibration schemes may be used to achieve the linearity spec shown above, e.g. calibration at 0.2 × VDDQ and 0.8 × VDDQ.
4. Measurement definition for mismatch between pull-up and pull-down, MM_{PuPd} :

Measure RON_{Pu} and RON_{Pd} , both at 0.5 * VDDQ:

$$MM_{PuPd} = \frac{RON_{Pu} - RON_{Pd}}{RON_{Nom}} \times 100\%$$



10.8.1 Output Driver Temperature and Voltage sensitivity

If temperature and/or voltage change after calibration, the tolerance limits widen according to Table 31 and Table 32.

$\Delta T = T - T(@\text{calibration})$; $\Delta V = V_{DDQ} - V_{DDQ}(@\text{calibration})$; $V_{DD} = V_{DDQ}$

Note: dRondT and dRondV are not subject to production test but are verified by design and characterization.

Table 31 – Output Driver Sensitivity Definition

| | MIN. | MAX. | UNIT |
|---------------------------------------|---|---|-------|
| RON _{PU} @ V _{OHDC} | $0.6 - dR_{\text{ondTH}}* \Delta T - dR_{\text{ondVH}}* \Delta V $ | $1.1 + dR_{\text{ondTH}}* \Delta T + dR_{\text{ondVH}}* \Delta V $ | RZQ/7 |
| RON@ V _{OMDC} | $0.9 - dR_{\text{ondTM}}* \Delta T - dR_{\text{ondVM}}* \Delta V $ | $1.1 + dR_{\text{ondTM}}* \Delta T + dR_{\text{ondVM}}* \Delta V $ | RZQ/7 |
| RON _{PD} @ V _{OLDC} | $0.6 - dR_{\text{ondTL}}* \Delta T - dR_{\text{ondVL}}* \Delta V $ | $1.1 + dR_{\text{ondTL}}* \Delta T + dR_{\text{ondVL}}* \Delta V $ | RZQ/7 |

Table 32 – Output Driver Voltage and Temperature Sensitivity

| Speed Bin | DDR3L-1333 | | DDR3L-1600/1866/2133 | | UNIT |
|-----------|------------|------|----------------------|------|------|
| | MIN. | MAX. | MIN. | MAX. | |
| dRondTM | 0 | 1.5 | 0 | 1.5 | %/°C |
| dRondVM | 0 | 0.15 | 0 | 0.13 | %/mV |
| dRondTL | 0 | 1.5 | 0 | 1.5 | %/°C |
| dRondVL | 0 | 0.15 | 0 | 0.13 | %/mV |
| dRondTH | 0 | 1.5 | 0 | 1.5 | %/°C |
| dRondVH | 0 | 0.15 | 0 | 0.13 | %/mV |

Note: These parameters may not be subject to production test. They are verified by design and characterization.



10.9 On-Die Termination (ODT) Levels and Characteristics

10.9.1 ODT Levels and I-V Characteristics

On-Die Termination effective resistance R_{TT} is defined by bits A9, A6 and A2 of the MR1 Register.

ODT is applied to the DQ, DM and DQS/DQS# pins.

A functional representation of the on-die termination is shown in Figure 97. The individual pull-up and pull-down resistors ($R_{TT_{Pu}}$ and $R_{TT_{Pd}}$) are defined as follows:

$$R_{TT_{Pu}} = \frac{V_{DDQ} - V_{Out}}{|I_{Out}|} \quad \text{under the condition that } R_{TT_{Pd}} \text{ is turned off}$$

$$R_{TT_{Pd}} = \frac{V_{Out}}{|I_{Out}|} \quad \text{under the condition that } R_{TT_{Pu}} \text{ is turned off}$$



Figure 97 – On-Die Termination: Definition of Voltages and Currents



10.9.2 ODT DC Electrical Characteristics

An overview about the specification requirements for RTT and ΔVM is provided in Table 33.

Table 33 – ODT DC Impedance and Mid-Level Requirements

| MR1 A9, A6, A2 | RTT | Resistor | Vout | Min. | Nom. | Max. | Unit | Notes |
|---|--------------|----------|--------------------|------|------|------|--------|---------------|
| 0, 1, 0 | 120 Ω | RTT120 | VIL(AC) to VIH(AC) | 0.9 | 1.0 | 1.65 | RZQ/2 | 1, 2, 3, 4 |
| 0, 0, 1 | 60 Ω | RTT60 | | 0.9 | 1.0 | 1.65 | RZQ/4 | 1, 2, 3, 4 |
| 0, 1, 1 | 40 Ω | RTT40 | | 0.9 | 1.0 | 1.65 | RZQ/6 | 1, 2, 3, 4 |
| 1, 0, 1 | 30 Ω | RTT30 | | 0.9 | 1.0 | 1.65 | RZQ/8 | 1, 2, 3, 4 |
| 1, 0, 0 | 20 Ω | RTT20 | | 0.9 | 1.0 | 1.65 | RZQ/12 | 1, 2, 3, 4 |
| Deviation of VM with respect to VDDQ/2, ΔVM | | | | -5 | | +5 | % | 1, 2, 3, 4, 5 |

Notes:

1. With RZQ = 240 Ω .
2. The tolerance limits are specified after calibration with stable voltage and temperature. For the behavior of the tolerance limits if temperature or voltage changes after calibration, see the following section ODT temperature and voltage sensitivity.
3. The tolerance limits are specified under the condition that VDDQ = VDD and that VSSQ = VSS.
4. Measurement definition for RTT :
Apply VIH(AC) to pin under test and measure current I(VIH(AC)), then apply VIL(AC) to pin under test and measure current I(VIL(AC)) respectively. Calculate RTT as follows:

$$RTT = [VIH(AC) - VIL(AC)] / [I(VIH(AC)) - I(VIL(AC))]$$
5. Measurement definition for VM and ΔVM :
Measure voltage (VM) at test pin (midpoint) with no load. Calculate ΔVM as follows:

$$\Delta VM = (2 \times VM / VDDQ - 1) \times 100\%$$

10.9.3 ODT Temperature and Voltage sensitivity

If temperature and/or voltage change after calibration, the tolerance limits widen according to Table 34 and Table 35. The following definitions are used:

$$\Delta T = T - T (@\text{calibration}); \Delta V = VDDQ - VDDQ (@\text{calibration}); VDD = VDDQ$$

Table 34 – ODT Sensitivity Definition

| SYMBOL | MIN. | MAX. | UNIT |
|--------|---|---|----------------|
| RTT | $0.9 - dR_{TTdT} \times \Delta T - dR_{TTdV} \times \Delta V $ | $1.6 + dR_{TTdT} \times \Delta T + dR_{TTdV} \times \Delta V $ | RZQ/2,4,6,8,12 |

Table 35 – ODT Voltage and Temperature Sensitivity

| SYMBOL | MIN. | MAX. | UNIT |
|--------------------|------|------|------|
| dR _{TTdT} | 0 | 1.5 | %/°C |
| dR _{TTdV} | 0 | 0.15 | %/mV |

Note: These parameters may not be subject to production test. They are verified by design and characterization



10.9.4 Design guide lines for RTT_{PU} and RTT_{PD}

Table 36 provides an overview of the ODT DC electrical pull-up and pull-down characteristics. The values are not specification requirements, but can be used as design guide lines.

Table 36 – ODT DC Electrical Pull-Down and Pull-Up Characteristics, assuming $R_{zQ} = 240 \Omega \pm 1\%$ entire operating temperature range; after proper ZQ calibration

| MR1 A9, A6, A2 | RTT | Resistor | Vout | Min. | Nom. | Max. | Unit | Notes |
|----------------|----------------|--------------------|---------------------------------|------|------|------|----------------------|---------------|
| 0, 1, 0 | 120 Ω , | $RTT_{120PD240}$, | $V_{OLDC} = 0.2 \times V_{DDQ}$ | 0.6 | 1.0 | 1.15 | $R_{zQ}/TISF_{PUPD}$ | 1, 2, 3, 4, 5 |
| 0, 0, 1 | 60 Ω , | $RTT_{60PD120}$, | $V_{OMDC} = 0.5 \times V_{DDQ}$ | 0.9 | 1.0 | 1.15 | $R_{zQ}/TISF_{PUPD}$ | 1, 2, 3, 4, 5 |
| 0, 1, 1 | 40 Ω , | RTT_{40PD80} , | $V_{OHDC} = 0.8 \times V_{DDQ}$ | 0.9 | 1.0 | 1.45 | $R_{zQ}/TISF_{PUPD}$ | 1, 2, 3, 4, 5 |
| 1, 0, 1 | 30 Ω , | RTT_{30PD60} , | | | | | | |
| 1, 0, 0 | 20 Ω | RTT_{20PD40} | | | | | | |
| | | $RTT_{120PU240}$, | $V_{OLDC} = 0.2 \times V_{DDQ}$ | 0.9 | 1.0 | 1.45 | $R_{zQ}/TISF_{PUPD}$ | 1, 2, 3, 4, 5 |
| | | $RTT_{60PU120}$, | $V_{OMDC} = 0.5 \times V_{DDQ}$ | 0.9 | 1.0 | 1.15 | $R_{zQ}/TISF_{PUPD}$ | 1, 2, 3, 4, 5 |
| | | RTT_{40PU80} , | $V_{OHDC} = 0.8 \times V_{DDQ}$ | 0.6 | 1.0 | 1.15 | $R_{zQ}/TISF_{PUPD}$ | 1, 2, 3, 4, 5 |
| | | RTT_{30PU60} , | | | | | | |
| | | RTT_{20PU40} | | | | | | |

Notes:

1. $TISF_{PUPD}$: Termination Impedance Scaling Factor for Pull-Up and Pull-Down path:
 $TISF_{PUPD} = 1$ for $RTT_{120PU/PD240}$
 $TISF_{PUPD} = 2$ for $RTT_{60PU/PD120}$
 $TISF_{PUPD} = 3$ for $RTT_{40PU/PD80}$
 $TISF_{PUPD} = 4$ for $RTT_{30PU/PD60}$
 $TISF_{PUPD} = 6$ for $RTT_{20PU/PD40}$
2. The tolerance limits are specified after calibration with stable voltage and temperature. For the behavior of the tolerance limits if temperature or voltage changes after calibration, see the above section ODT temperature and voltage sensitivity.
3. The tolerance limits are specified under the condition that $V_{DDQ} = V_{DD}$ and that $V_{SSQ} = V_{SS}$.
4. Pull-down and pull-up ODT resistors are recommended to be calibrated at $0.5 \times V_{DDQ}$. Other calibration schemes may be used to achieve the linearity spec shown above, e.g. calibration at $0.2 \times V_{DDQ}$ and $0.8 \times V_{DDQ}$.
5. Not a specification requirement, but a design guide line.



10.10 ODT Timing Definitions

10.10.1 Test Load for ODT Timings

Different than for timing measurements, the reference load for ODT timings is defined in Figure 98.

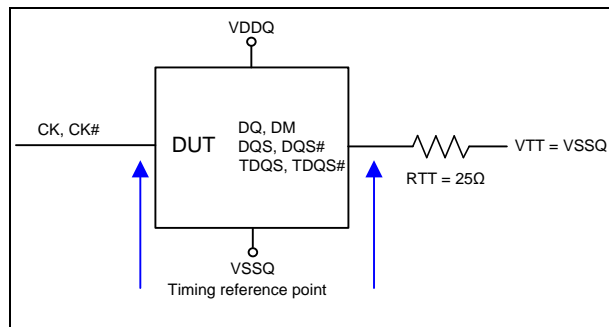


Figure 98 – ODT Timing Reference Load

10.10.2 ODT Timing Definitions

Definitions for t_{AON} , t_{AONPD} , t_{AOF} , t_{AOFPD} and t_{ADC} are provided in Table 37 and subsequent figures. Measurement reference settings are provided in Table 38.

Table 37 – ODT Timing Definitions

| Symbol | Begin Point Definition | End Point Definition | Figure |
|-------------|--|--|------------|
| t_{AON} | Rising edge of CK - CK# defined by the end point of $ODTLon$ | Extrapolated point at VSSQ | Figure 99 |
| t_{AONPD} | Rising edge of CK - CK# with ODT being first registered high | Extrapolated point at VSSQ | Figure 100 |
| t_{AOF} | Rising edge of CK - CK# defined by the end point of $ODTLoff$ | End point: Extrapolated point at $VRtt_Nom$ | Figure 101 |
| t_{AOFPD} | Rising edge of CK - CK# with ODT being first registered low | End point: Extrapolated point at $VRtt_Nom$ | Figure 102 |
| t_{ADC} | Rising edge of CK - CK# defined by the end point of $ODTLcwn$, $ODTLcwn4$ or $ODTLcwn8$ | End point: Extrapolated point at $VRtt_WR$ and $VRtt_Nom$ respectively | Figure 103 |

Table 38 – Reference Settings for ODT Timing Measurements

| Measured Parameter | Rtt_Nom Setting | Rtt_WR Setting | VSW1 [V] | VSW2 [V] |
|--------------------|-----------------|----------------|----------|----------|
| t_{AON} | RZQ/4 | NA | 0.05 | 0.10 |
| | RZQ/12 | NA | 0.10 | 0.20 |
| t_{AONPD} | RZQ/4 | NA | 0.05 | 0.10 |
| | RZQ/12 | NA | 0.10 | 0.20 |
| t_{AOF} | RZQ/4 | NA | 0.05 | 0.10 |
| | RZQ/12 | NA | 0.10 | 0.20 |
| t_{AOFPD} | RZQ/4 | NA | 0.05 | 0.10 |
| | RZQ/12 | NA | 0.10 | 0.20 |
| t_{ADC} | RZQ/12 | RZQ/2 | 0.20 | 0.25 |



Figure 99 – Definition of tAON



Figure 100 – Definition of tAONPD



Figure 101 – Definition of tAOF



Figure 102 – Definition of tAOFPD



Figure 103 – Definition of t_{ADC}



10.11 Input/Output Capacitance

| PARAMETER | SYMBOL | DDR3L-1333 | | DDR3L-1600 | | DDR3L-1866 | | DDR3L-2133 | | UNIT | NOTES |
|--|-------------|------------|------|------------|------|------------|------|------------|------|------|-------------|
| | | MIN. | MAX. | MIN. | MAX. | MIN. | MAX. | MIN. | MAX. | | |
| Input/output capacitance (DQ, DM, DQS, DQS#, TDQS, TDQS#) | CIO | 1.4 | 2.3 | 1.4 | 2.2 | 1.4 | 2.1 | 1.4 | 2.0 | pF | 1, 2, 3 |
| Input capacitance (CK and CK#) | CCK | 0.8 | 1.4 | 0.8 | 1.4 | 0.8 | 1.3 | 0.8 | 1.3 | pF | 2, 3 |
| Delta of input capacitance (CK and CK#) | CDCK | 0 | 0.15 | 0 | 0.15 | 0 | 0.15 | 0 | 0.15 | pF | 2, 3, 4 |
| Delta of Input/Output capacitance (DQS and DQS#) | CDDQS | 0 | 0.15 | 0 | 0.15 | 0 | 0.15 | 0 | 0.15 | pF | 2, 3, 5 |
| Input capacitance (CTRL, ADD, CMD input-only pins) | CI | 0.75 | 1.3 | 0.75 | 1.2 | 0.75 | 1.2 | 0.75 | 1.2 | pF | 2, 3, 6 |
| Delta of input capacitance (All CTRL input-only pins) | CDI_CTRL | -0.4 | 0.2 | -0.4 | 0.2 | -0.4 | 0.2 | -0.4 | 0.2 | pF | 2, 3, 7, 8 |
| Delta of input capacitance (All ADD/CMD input-only pins) | CDI_ADD_CMD | -0.4 | 0.4 | -0.4 | 0.4 | -0.4 | 0.4 | -0.4 | 0.4 | pF | 2, 3, 9, 10 |
| Delta of Input/output capacitance (DQ, DM, DQS, DQS#, TDQS, TDQS#) | CDIO | -0.5 | 0.3 | -0.5 | 0.3 | -0.5 | 0.3 | -0.5 | 0.3 | pF | 2, 3, 11 |
| Input/output capacitance of ZQ signal | CZQ | - | 3 | - | 3 | - | 3 | - | 3 | pF | 2, 3, 12 |

Notes:

1. Although the DM, TDQS and TDQS# pins have different functions, the loading matches DQ and DQS.
2. This parameter is not subject to production test. It is verified by design and characterization. The capacitance is measured according to JEP147 (Procedure for measuring input capacitance using a vector network analyzer (VNA) with VDD, VDDQ, VSS, VSSQ applied and all other pins floating (except the ball under test, CKE, RESET# and ODT as necessary). VDD=VDDQ=1.35V, VBIAS=VDD/2 and on-die termination off.
3. This parameter applies to monolithic devices only; stacked/dual-die devices are not covered here.
4. Absolute value of CCK-CCK#.
5. Absolute value of CIO(DQS)-CIO(DQS#).
6. CI applies to ODT, CS#, CKE, A0-A15, BA0-BA2, RAS#, CAS#, WE#.
7. CDI_CTRL applies to ODT, CS# and CKE.
8. $CDI_CTRL = CI(CTRL) - 0.5 * (CI(CLK) + CI(CLK\#))$.
9. CDI_ADD_CMD applies to A0-A15, BA0-BA2, RAS#, CAS# and WE#.
10. $CDI_ADD_CMD = CI(ADD_CMD) - 0.5 * (CI(CLK) + CI(CLK\#))$.
11. $CDIO = CIO(DQ, DM) - 0.5 * (CIO(DQS) + CIO(DQS\#))$.
12. Maximum external load capacitance on ZQ signal: 5 pF.



10.12 Overshoot and Undershoot Specifications

10.12.1 AC Overshoot /Undershoot Specification for Address and Control Pins:

Applies to A0-A15, BA0-BA2, CS#, RAS#, CAS#, WE#, CKE, ODT

| PARAMETER | DDR3L-1333 | DDR3L-1600 | DDR3L-1866 | DDR3L-2133 | UNIT |
|--|------------|------------|------------|------------|------|
| Maximum peak amplitude allowed for overshoot area | 0.4 | 0.4 | 0.4 | 0.4 | V |
| Maximum peak amplitude allowed for undershoot area | 0.4 | 0.4 | 0.4 | 0.4 | V |
| Maximum overshoot area above VDD | 0.4 | 0.33 | 0.28 | 0.25 | V-nS |
| Maximum undershoot area below VSS | 0.4 | 0.33 | 0.28 | 0.25 | V-nS |

Notes:

1. The sum of applied voltage (VDD) and peak amplitude overshoot voltage is not to exceed absolute maximum DC ratings.
2. The sum of applied voltage (VDD) and peak amplitude undershoot voltage is not to exceed absolute maximum DC ratings.

10.12.2 AC Overshoot /Undershoot Specification for Clock, Data, Strobe and Mask Pins:

Applies to CK, CK#, DQ, DQS, DQS#, DM

| PARAMETER | DDR3L-1333 | DDR3L-1600 | DDR3L-1866 | DDR3L-2133 | UNIT |
|--|------------|------------|------------|------------|------|
| Maximum peak amplitude allowed for overshoot area | 0.4 | 0.4 | 0.4 | 0.4 | V |
| Maximum peak amplitude allowed for undershoot area | 0.4 | 0.4 | 0.4 | 0.4 | V |
| Maximum overshoot area above VDDQ | 0.15 | 0.13 | 0.11 | 0.10 | V-nS |
| Maximum undershoot area below VSSQ | 0.15 | 0.13 | 0.11 | 0.10 | V-nS |

Notes:

1. The sum of applied voltage (VDD) and peak amplitude overshoot voltage is not to exceed absolute maximum DC ratings.
2. The sum of applied voltage (VDD) and peak amplitude undershoot voltage is not to exceed absolute maximum DC ratings.

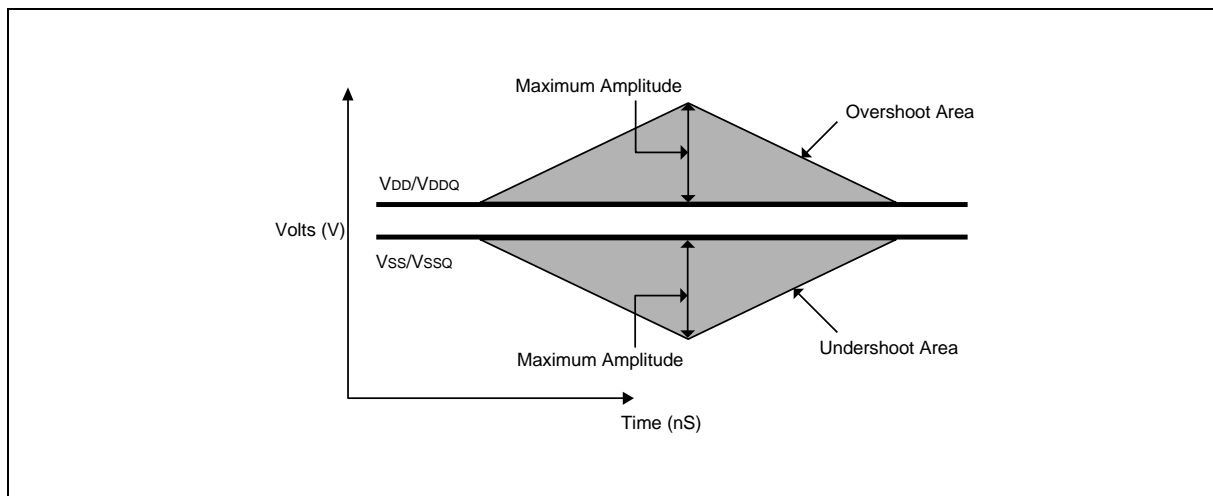


Figure 104 – AC Overshoot and Undershoot Definition



10.13 IDD and IDDQ Specification Parameters and Test Conditions

10.13.1 Idd and Iddq Measurement Conditions

In this section, IDD and IDDQ measurement conditions such as test load and patterns are defined. Figure 105 shows the setup and test load for IDD and IDDQ measurements.

- **IDD currents** (such as IDD0, IDD1, IDD2N, IDD2NT, IDD2P0, IDD2P1, IDD2Q, IDD3N, IDD3P, IDD4R, IDD4W, IDD5B, IDD6, IDD6ET and IDD7) are measured as time-averaged currents with all VDD balls of the DDR3L SDRAM under test tied together. Any IDDQ current is not included in IDD currents.
- **IDDQ currents** (such as IDDQ2NT and IDDQ4R) are measured as time-averaged currents with all VDDQ balls of the DDR3L SDRAM under test tied together. Any IDD current is not included in IDDQ currents.

Attention: IDDQ values cannot be directly used to calculate IO power of the DDR3L SDRAM. They can be used to support correlation of simulated IO power to actual IO power as outlined in Figure 106. In DRAM module application, IDDQ cannot be measured separately since VDD and VDDQ are using one merged-power layer in Module PCB.

For IDD and IDDQ measurements, the following definitions apply:

- “0” and “LOW” is defined as $V_{IN} \leq V_{ILAC(max)}$.
- “1” and “HIGH” is defined as $V_{IN} \geq V_{IHAC(min)}$.
- “MID-LEVEL” is defined as inputs are $V_{REF} = V_{DD} / 2$.
- Timings used for IDD and IDDQ Measurement-Loop Patterns are provided in Table 39.
- Basic IDD and IDDQ Measurement Conditions are described in Table 40.
- Detailed IDD and IDDQ Measurement-Loop Patterns are described in Table 41 through Table 48.
- IDD Measurements are done after properly initializing the DDR3L SDRAM. This includes but is not limited to setting
 $R_{ON} = R_{ZQ}/7$ (34 Ohm in MR1);
 $Q_{off} = 0_b$ (Output Buffer enabled in MR1);
 $R_{tt_Nom} = R_{ZQ}/6$ (40 Ohm in MR1);
 $R_{tt_WR} = R_{ZQ}/2$ (120 Ohm in MR2);
- **Attention:** The IDD and IDDQ Measurement-Loop Patterns need to be executed at least one time before actual IDD or IDDQ measurement is started.
- Define $D = \{CS\#, RAS\#, CAS\#, WE\# \} := \{HIGH, LOW, LOW, LOW\}$
- Define $D\# = \{CS\#, RAS\#, CAS\#, WE\# \} := \{HIGH, HIGH, HIGH, HIGH\}$

Table 39 – Timings used for IDD and IDDQ Measurement-Loop Patterns

| Speed Bin | DDR3L-1333 | DDR3L-1600 | DDR3L-1866 | DDR3L-2133 | Unit |
|-----------------------|-------------|-------------|-------------|-------------|------|
| CL-nRCD-nRP | 9-9-9 | 11-11-11 | 13-13-13 | 14-14-14 | |
| Part Number Extension | -15/15I/15J | -12/12I/12J | -11/11I/11J | -09/09I/09J | |
| tCK | 1.5 | 1.25 | 1.07 | 0.938 | nS |
| CL | 9 | 11 | 13 | 14 | nCK |
| nRCD | 9 | 11 | 13 | 14 | nCK |
| nRC | 33 | 39 | 45 | 50 | nCK |
| nRAS | 24 | 28 | 32 | 36 | nCK |
| nRP | 9 | 11 | 13 | 14 | nCK |
| nFAW | 20 | 24 | 26 | 27 | nCK |
| nRRD | 4 | 5 | 5 | 6 | nCK |
| nRFC 4 Gb | 174 | 208 | 243 | 279 | nCK |



Figure 105 – Measurement Setup and Test Load for IDD and IDDQ (optional) Measurements



Figure 106 – Correlation from simulated Channel IO Power to actual Channel IO Power supported by IDDQ Measurement



Table 40 – Basic IDD and IDDQ Measurement Conditions

| SYM. | DESCRIPTION |
|---------|--|
| IDD0 | Operating One Bank Active-Precharge Current CKE: High; External clock: On; tCK, nRC, nRAS, CL: see Table 39; BL: 8 ⁽¹⁾ ; AL: 0; CS#: High between ACT and PRE; Command, Address, Bank Address Inputs: partially toggling according to Table 41; Data IO: MID-LEVEL; DM: stable at 0; Bank Activity: Cycling with one bank active at a time: 0,0,1,1,2,2,... (see Table 41); Output Buffer and RTT: Enabled in Mode Registers ⁽²⁾ ; ODT Signal: stable at 0; Pattern Details: see Table 41 |
| IDD1 | Operating One Bank Active-Read-Precharge Current CKE: High; External clock: On; tCK, nRC, nRAS, nRCD, CL: see Table 39; BL: 8 ^(1,6) ; AL: 0; CS#: High between ACT, RD and PRE; Command, Address, Bank Address Inputs, Data IO: partially toggling according to Table 42; DM: stable at 0; Bank Activity: Cycling with one bank active at a time: 0,0,1,1,2,2,... (see Table 42); Output Buffer and RTT: Enabled in Mode Registers ⁽²⁾ ; ODT Signal: stable at 0; Pattern Details: see Table 42 |
| IDD2N | Precharge Standby Current CKE: High; External clock: On; tCK, CL: see Table 39; BL: 8 ⁽¹⁾ ; AL: 0; CS#: stable at 1; Command, Address, Bank Address Inputs: partially toggling according to Table 43; Data IO: MID-LEVEL; DM: stable at 0; Bank Activity: all banks closed; Output Buffer and RTT: Enabled in Mode Registers ⁽²⁾ ; ODT Signal: stable at 0; Pattern Details: see Table 43 |
| IDD2NT | Precharge Standby ODT Current CKE: High; External clock: On; tCK, CL: see Table 39; BL: 8 ⁽¹⁾ ; AL: 0; CS#: stable at 1; Command, Address, Bank Address Inputs: partially toggling according to Table 44; Data IO: MID-LEVEL; DM: stable at 0; Bank Activity: all banks closed; Output Buffer and RTT: Enabled in Mode Registers ⁽²⁾ ; ODT Signal: toggling according to Table 44; Pattern Details: see Table 44 |
| IDDQ2NT | Precharge Standby ODT IDDQ Current Same definition like for IDD2NT, however measuring IDDQ current instead of IDD current |
| IDD2P0 | Precharge Power-Down Current Slow Exit CKE: Low; External clock: On; tCK, CL: see Table 39; BL: 8 ⁽¹⁾ ; AL: 0; CS#: stable at 1; Command, Address, Bank Address Inputs: stable at 0; Data IO: MID-LEVEL; DM: stable at 0; Bank Activity: all banks closed; Output Buffer and RTT: Enabled in Mode Registers ⁽²⁾ ; ODT Signal: stable at 0; Precharge Power Down Mode: Slow Exit ⁽³⁾ |
| IDD2P1 | Precharge Power-Down Current Fast Exit CKE: Low; External clock: On; tCK, CL: see Table 39; BL: 8 ⁽¹⁾ ; AL: 0; CS#: stable at 1; Command, Address, Bank Address Inputs: stable at 0; Data IO: MID-LEVEL; DM: stable at 0; Bank Activity: all banks closed; Output Buffer and RTT: Enabled in Mode Registers ⁽²⁾ ; ODT Signal: stable at 0; Precharge Power Down Mode: Fast Exit ⁽³⁾ |
| IDD2Q | Precharge Quiet Standby Current CKE: High; External clock: On; tCK, CL: see Table 39; BL: 8 ⁽¹⁾ ; AL: 0; CS#: stable at 1; Command, Address, Bank Address Inputs: stable at 0; Data IO: MID-LEVEL; DM: stable at 0; Bank Activity: all banks closed; Output Buffer and RTT: Enabled in Mode Registers ⁽²⁾ ; ODT Signal: stable at 0 |
| IDD3N | Active Standby Current CKE: High; External clock: On; tCK, CL: see Table 39; BL: 8 ⁽¹⁾ ; AL: 0; CS#: stable at 1; Command, Address, Bank Address Inputs: partially toggling according to Table 43; Data IO: MID-LEVEL; DM: stable at 0; Bank Activity: all banks open; Output Buffer and RTT: Enabled in Mode Registers ⁽²⁾ ; ODT Signal: stable at 0; Pattern Details: see Table 43 |
| IDD3P | Active Power-Down Current CKE: Low; External clock: On; tCK, CL: see Table 39; BL: 8 ⁽¹⁾ ; AL: 0; CS#: stable at 1; Command, Address, Bank Address Inputs: stable at 0; Data IO: MID-LEVEL; DM: stable at 0; Bank Activity: all banks open; Output Buffer and RTT: Enabled in Mode Registers ⁽²⁾ ; ODT Signal: stable at 0 |



Basic IDD and IDDQ Measurement Conditions, continued

| SYM. | DESCRIPTION |
|--------|--|
| IDD4R | Operating Burst Read Current CKE: High; External clock: On; tCK, CL: see Table 39; BL: 8 ^(1,6) ; AL: 0; CS#: High between RD; Command, Address, Bank Address Inputs: partially toggling according to Table 45; Data IO: seamless read data burst with different data between one burst and the next one according to Table 45; DM: stable at 0; Bank Activity: all banks open, RD commands cycling through banks: 0,0,1,1,2,2,... (see Table 45); Output Buffer and RTT: Enabled in Mode Registers ⁽²⁾ ; ODT Signal: stable at 0; Pattern Details: see Table 45 |
| IDDQ4R | Operating Burst Read IDDQ Current Same definition like for IDD4R, however measuring IDDQ current instead of IDD current |
| IDD4W | Operating Burst Write Current CKE: High; External clock: On; tCK, CL: see Table 39; BL: 8 ⁽¹⁾ ; AL: 0; CS#: High between WR; Command, Address, Bank Address Inputs: partially toggling according to Table 46; Data IO: seamless write data burst with different data between one burst and the next one according to Table 46; DM: stable at 0; Bank Activity: all banks open, WR commands cycling through banks: 0,0,1,1,2,2,... (see Table 46); Output Buffer and RTT: Enabled in Mode Registers ⁽²⁾ ; ODT Signal: stable at HIGH; Pattern Details: see Table 46 |
| IDD5B | Burst Refresh Current CKE: High; External clock: On; tCK, CL, nRFC: see Table 39; BL: 8 ⁽¹⁾ ; AL: 0; CS#: High between REF; Command, Address, Bank Address Inputs: partially toggling according to Table 47; Data IO: MID-LEVEL; DM: stable at 0; Bank Activity: REF command every nRFC (see Table 47); Output Buffer and RTT: Enabled in Mode Registers ⁽²⁾ ; ODT Signal: stable at 0; Pattern Details: see Table 47 |
| IDD6 | Self Refresh Current: Normal Temperature Range Auto Self-Refresh (ASR): Disabled ⁽⁴⁾ ; Self-Refresh Temperature Range (SRT): Normal ⁽⁵⁾ ; CKE: Low; External clock: Off; CK and CK#: LOW; CL: see Table 39; BL: 8 ⁽¹⁾ ; AL: 0; CS#, Command, Address, Bank Address, Data IO: MID-LEVEL; DM: stable at 0; Bank Activity: Self-Refresh operation; Output Buffer and RTT: Enabled in Mode Registers ⁽²⁾ ; ODT Signal: MID-LEVEL |
| IDD6ET | Self-Refresh Current: Extended Temperature Range Auto Self-Refresh (ASR): Disabled ⁽⁴⁾ ; Self-Refresh Temperature Range (SRT): Extended ⁽⁵⁾ ; CKE: Low; External clock: Off; CK and CK#: LOW; CL: see Table 39; BL: 8 ⁽¹⁾ ; AL: 0; CS#, Command, Address, Bank Address, Data IO: MID-LEVEL; DM: stable at 0; Bank Activity: Extended Temperature Self-Refresh operation; Output Buffer and RTT: Enabled in Mode Registers ⁽²⁾ ; ODT Signal: MID-LEVEL |
| IDD7 | Operating Bank Interleave Read Current CKE: High; External clock: On; tCK, nRC, nRAS, nRCD, nRRD, nFAW, CL: see Table 39; BL: 8 ^(1,6) ; AL: CL-1; CS#: High between ACT and RDA; Command, Address, Bank Address Inputs: partially toggling according to Table 48; Data IO: read data bursts with different data between one burst and the next one according to Table 48; DM: stable at 0; Bank Activity: two times interleaved cycling through banks (0, 1, ...7) with different addressing, see Table 48; Output Buffer and RTT: Enabled in Mode Registers ⁽²⁾ ; ODT Signal: stable at 0; Pattern Details: see Table 48 |
| IDD8 | RESET# Low Current RESET#: Low; External clock: Off; CK and CK#: Low; CKE: FLOATING; CS#, Command, Address, Bank Address, Data IO: FLOATING; ODT Signal: FLOATING RESET# Low current reading is valid once power is stable and RESET has been Low for at least 1mS |

Notes:

- Burst Length: BL8 fixed by MRS: set MR0 A[1,0]=00b.
- Output Buffer Enable: set MR1 A[12] = 0b; set MR1 A[5,1] = 01b; Rtt_Nom enable: set MR1 A[9,6,2] = 011b; Rtt_WR enable: set MR2 A[10,9] = 10b.
- Precharge Power Down Mode: set MR0 A12=0b for Slow Exit or MR0 A12=1b for Fast Exit.
- Auto Self-Refresh (ASR): set MR2 A6 = 0b to disable or 1b to enable feature.
- Self-Refresh Temperature Range (SRT): set MR2 A7=0b for normal or 1b for extended temperature range.
- Read Burst Type: Nibble Sequential, set MR0 A[3] = 0b.

Table 41 – IDD0 Measurement-Loop Pattern¹

| CK, CK# | CKE | Sub-Loop | Cycle Number | Command | CS# | RAS# | CAS# | WE# | ODT | BA[2:0] | A[15:11] | A[10] | A[9:7] | A[6:3] | A[2:0] | Data ² | | |
|----------|-------------|--|--------------|--|-----|------|------|-----|-----|---------|----------|-------|--------|--------|--------|-------------------|---|---|
| toggling | Static High | 0 | 0 | ACT | 0 | 0 | 1 | 1 | 0 | 0 | 0 | 0 | 0 | 0 | 0 | - | | |
| | | | 1, 2 | D, D | 1 | 0 | 0 | 0 | 0 | 0 | 0 | 0 | 0 | 0 | 0 | 0 | - | |
| | | | 3, 4 | D#, D# | 1 | 1 | 1 | 1 | 0 | 0 | 0 | 0 | 0 | 0 | 0 | 0 | - | |
| | | | ... | Repeat pattern 1...4 until nRAS - 1, truncate if necessary | | | | | | | | | | | | | | |
| | | | nRAS | PRE | 0 | 0 | 1 | 0 | 0 | 0 | 0 | 0 | 0 | 0 | 0 | 0 | 0 | - |
| | | | ... | Repeat pattern 1...4 until nRC - 1, truncate if necessary | | | | | | | | | | | | | | |
| | | | 1*nRC+0 | ACT | 0 | 0 | 1 | 1 | 0 | 0 | 0 | 0 | 0 | 0 | F | 0 | 0 | - |
| | | | 1*nRC+1, 2 | D, D | 1 | 0 | 0 | 0 | 0 | 0 | 0 | 0 | 0 | 0 | 0 | F | 0 | - |
| | | | 1*nRC+3, 4 | D#, D# | 1 | 1 | 1 | 1 | 0 | 0 | 0 | 0 | 0 | 0 | 0 | F | 0 | - |
| | | | ... | Repeat pattern nRC + 1,...,4 until nRC + nRAS - 1, truncate if necessary | | | | | | | | | | | | | | |
| | | | 1*nRC+nRAS | PRE | 0 | 0 | 1 | 0 | 0 | 0 | 0 | 0 | 0 | 0 | 0 | F | 0 | - |
| | | | ... | Repeat pattern nRC + 1,...,4 until 2*nRC - 1, truncate if necessary | | | | | | | | | | | | | | |
| | | 1 | 2*nRC | Repeat Sub-Loop 0, use BA[2:0] = 1 instead | | | | | | | | | | | | | | |
| | | 2 | 4*nRC | Repeat Sub-Loop 0, use BA[2:0] = 2 instead | | | | | | | | | | | | | | |
| | | 3 | 6*nRC | Repeat Sub-Loop 0, use BA[2:0] = 3 instead | | | | | | | | | | | | | | |
| | | 4 | 8*nRC | Repeat Sub-Loop 0, use BA[2:0] = 4 instead | | | | | | | | | | | | | | |
| | | 5 | 10*nRC | Repeat Sub-Loop 0, use BA[2:0] = 5 instead | | | | | | | | | | | | | | |
| 6 | 12*nRC | Repeat Sub-Loop 0, use BA[2:0] = 6 instead | | | | | | | | | | | | | | | | |
| 7 | 14*nRC | Repeat Sub-Loop 0, use BA[2:0] = 7 instead | | | | | | | | | | | | | | | | |

Notes:

- DM must be driven LOW all the time. DQS, DQS# are MID-LEVEL.
- DQ signals are MID-LEVEL.

Table 42 – IDD1 Measurement-Loop Pattern¹

| CK, CK# | CKE | Sub-Loop | Cycle Number | Command | CS# | RAS# | CAS# | WE# | ODT | BA[2:0] | A[15:11] | A[10] | A[9:7] | A[6:3] | A[2:0] | Data ² | | |
|----------|-------------|--|---|--|-----|------|------|-----|-----|---------|----------|-------|--------|--------|--------|-------------------|---|----------|
| toggling | Static High | 0 | 0 | ACT | 0 | 0 | 1 | 1 | 0 | 0 | 0 | 0 | 0 | 0 | 0 | - | | |
| | | | 1, 2 | D, D | 1 | 0 | 0 | 0 | 0 | 0 | 0 | 0 | 0 | 0 | 0 | 0 | - | |
| | | | 3, 4 | D#, D# | 1 | 1 | 1 | 1 | 0 | 0 | 0 | 0 | 0 | 0 | 0 | 0 | - | |
| | | | ... | Repeat pattern 1...4 until nRCD - 1, truncate if necessary | | | | | | | | | | | | | | |
| | | | nRCD | RD | 0 | 1 | 0 | 1 | 0 | 0 | 0 | 0 | 0 | 0 | 0 | 0 | 0 | 00000000 |
| | | | ... | Repeat pattern 1...4 until nRAS - 1, truncate if necessary | | | | | | | | | | | | | | |
| | | | nRAS | PRE | 0 | 0 | 1 | 0 | 0 | 0 | 0 | 0 | 0 | 0 | 0 | 0 | 0 | - |
| | | | ... | Repeat pattern 1...4 until nRC - 1, truncate if necessary | | | | | | | | | | | | | | |
| | | | 1*nRC+0 | ACT | 0 | 0 | 1 | 1 | 0 | 0 | 0 | 0 | 0 | 0 | F | 0 | 0 | - |
| | | | 1*nRC+1, 2 | D, D | 1 | 0 | 0 | 0 | 0 | 0 | 0 | 0 | 0 | 0 | F | 0 | 0 | - |
| | | | 1*nRC+3, 4 | D#, D# | 1 | 1 | 1 | 1 | 0 | 0 | 0 | 0 | 0 | 0 | F | 0 | 0 | - |
| | | | ... | Repeat pattern nRC + 1,...,4 until nRC + nRCD - 1, truncate if necessary | | | | | | | | | | | | | | |
| | | | 1*nRC+nRCD | RD | 0 | 1 | 0 | 1 | 0 | 0 | 0 | 0 | 0 | 0 | F | 0 | 0 | 00110011 |
| | | | ... | Repeat pattern nRC + 1,...,4 until nRC + nRAS - 1, truncate if necessary | | | | | | | | | | | | | | |
| | | 1*nRC+nRAS | PRE | 0 | 0 | 1 | 0 | 0 | 0 | 0 | 0 | 0 | 0 | F | 0 | 0 | - | |
| | | ... | Repeat pattern nRC + 1,...,4 until 2*nRC - 1, truncate if necessary | | | | | | | | | | | | | | | |
| | | 1 | 2*nRC | Repeat Sub-Loop 0, use BA[2:0] = 1 instead | | | | | | | | | | | | | | |
| | | 2 | 4*nRC | Repeat Sub-Loop 0, use BA[2:0] = 2 instead | | | | | | | | | | | | | | |
| | | 3 | 6*nRC | Repeat Sub-Loop 0, use BA[2:0] = 3 instead | | | | | | | | | | | | | | |
| | | 4 | 8*nRC | Repeat Sub-Loop 0, use BA[2:0] = 4 instead | | | | | | | | | | | | | | |
| | | 5 | 10*nRC | Repeat Sub-Loop 0, use BA[2:0] = 5 instead | | | | | | | | | | | | | | |
| 6 | 12*nRC | Repeat Sub-Loop 0, use BA[2:0] = 6 instead | | | | | | | | | | | | | | | | |
| 7 | 14*nRC | Repeat Sub-Loop 0, use BA[2:0] = 7 instead | | | | | | | | | | | | | | | | |

Notes:

- DM must be driven LOW all the time. DQS, DQS# are used according to RD Commands, otherwise MID-LEVEL.
- Burst Sequence driven on each DQ signal by Read Command. Outside burst operation, DQ signals are MID-LEVEL.

Table 43 – IDD2N and IDD3N Measurement-Loop Pattern¹

| CK, CK# | CKE | Sub-Loop | Cycle Number | Command | CS# | RAS# | CAS# | WE# | ODT | BA[2:0] | A[15:11] | A[10] | A[9:7] | A[6:3] | A[2:0] | Data ² | |
|----------|-------------|----------|--------------|--|-----|------|------|-----|-----|---------|----------|-------|--------|--------|--------|-------------------|---|
| toggling | Static High | 0 | 0 | D | 1 | 0 | 0 | 0 | 0 | 0 | 0 | 0 | 0 | 0 | 0 | - | |
| | | | 1 | D | 1 | 0 | 0 | 0 | 0 | 0 | 0 | 0 | 0 | 0 | 0 | - | |
| | | | 2 | D# | 1 | 1 | 1 | 1 | 1 | 0 | 0 | 0 | 0 | 0 | F | 0 | - |
| | | | 3 | D# | 1 | 1 | 1 | 1 | 1 | 0 | 0 | 0 | 0 | 0 | F | 0 | - |
| | | 1 | 4-7 | Repeat Sub-Loop 0, use BA[2:0] = 1 instead | | | | | | | | | | | | | |
| | | 2 | 8-11 | Repeat Sub-Loop 0, use BA[2:0] = 2 instead | | | | | | | | | | | | | |
| | | 3 | 12-15 | Repeat Sub-Loop 0, use BA[2:0] = 3 instead | | | | | | | | | | | | | |
| | | 4 | 16-19 | Repeat Sub-Loop 0, use BA[2:0] = 4 instead | | | | | | | | | | | | | |
| | | 5 | 20-23 | Repeat Sub-Loop 0, use BA[2:0] = 5 instead | | | | | | | | | | | | | |
| | | 6 | 24-27 | Repeat Sub-Loop 0, use BA[2:0] = 6 instead | | | | | | | | | | | | | |
| | | 7 | 28-31 | Repeat Sub-Loop 0, use BA[2:0] = 7 instead | | | | | | | | | | | | | |

Notes:

- DM must be driven LOW all the time. DQS, DQS# are MID-LEVEL.
- DQ signals are MID-LEVEL.

Table 44 – IDD2NT and IDDQ2NT Measurement-Loop Pattern¹

| CK, CK# | CKE | Sub-Loop | Cycle Number | Command | CS# | RAS# | CAS# | WE# | ODT | BA[2:0] | A[15:11] | A[10] | A[9:7] | A[6:3] | A[2:0] | Data ² | |
|----------|-------------|----------|--------------|--|-----|------|------|-----|-----|---------|----------|-------|--------|--------|--------|-------------------|---|
| toggling | Static High | 0 | 0 | D | 1 | 0 | 0 | 0 | 0 | 0 | 0 | 0 | 0 | 0 | 0 | - | |
| | | | 1 | D | 1 | 0 | 0 | 0 | 0 | 0 | 0 | 0 | 0 | 0 | 0 | - | |
| | | | 2 | D# | 1 | 1 | 1 | 1 | 1 | 0 | 0 | 0 | 0 | 0 | F | 0 | - |
| | | | 3 | D# | 1 | 1 | 1 | 1 | 1 | 0 | 0 | 0 | 0 | 0 | F | 0 | - |
| | | 1 | 4-7 | Repeat Sub-Loop 0, but ODT = 0 and BA[2:0] = 1 | | | | | | | | | | | | | |
| | | 2 | 8-11 | Repeat Sub-Loop 0, but ODT = 1 and BA[2:0] = 2 | | | | | | | | | | | | | |
| | | 3 | 12-15 | Repeat Sub-Loop 0, but ODT = 1 and BA[2:0] = 3 | | | | | | | | | | | | | |
| | | 4 | 16-19 | Repeat Sub-Loop 0, but ODT = 0 and BA[2:0] = 4 | | | | | | | | | | | | | |
| | | 5 | 20-23 | Repeat Sub-Loop 0, but ODT = 0 and BA[2:0] = 5 | | | | | | | | | | | | | |
| | | 6 | 24-27 | Repeat Sub-Loop 0, but ODT = 1 and BA[2:0] = 6 | | | | | | | | | | | | | |
| | | 7 | 28-31 | Repeat Sub-Loop 0, but ODT = 1 and BA[2:0] = 7 | | | | | | | | | | | | | |

Notes:

- DM must be driven LOW all the time. DQS, DQS# are MID-LEVEL.
- DQ signals are MID-LEVEL.

Table 45 – IDD4R and IDDQ4R Measurement-Loop Pattern¹

| CK, CK# | CKE | Sub-Loop | Cycle Number | Command | CS# | RAS# | CAS# | WE# | ODT | BA[2:0] | A[15:11] | A[10] | A[9:7] | A[6:3] | A[2:0] | Data ² | | |
|----------|-------------|----------|--------------|------------------------------------|-----|------|------|-----|-----|---------|----------|-------|--------|--------|--------|-------------------|----------|--|
| toggling | Static High | 0 | 0 | RD | 0 | 1 | 0 | 1 | 0 | 0 | 0 | 0 | 0 | 0 | 0 | 00000000 | | |
| | | | 1 | D | 1 | 0 | 0 | 0 | 0 | 0 | 0 | 0 | 0 | 0 | 0 | - | | |
| | | | 2, 3 | D#, D# | 1 | 1 | 1 | 1 | 0 | 0 | 0 | 0 | 0 | 0 | 0 | - | | |
| | | | 4 | RD | 0 | 1 | 0 | 1 | 0 | 0 | 0 | 0 | 0 | 0 | F | 0 | 00110011 | |
| | | | 5 | D | 1 | 0 | 0 | 0 | 0 | 0 | 0 | 0 | 0 | 0 | F | 0 | - | |
| | | | 6, 7 | D#, D# | 1 | 1 | 1 | 1 | 0 | 0 | 0 | 0 | 0 | 0 | F | 0 | - | |
| | | 1 | 8-15 | Repeat Sub-Loop 0, but BA[2:0] = 1 | | | | | | | | | | | | | | |
| | | 2 | 16-23 | Repeat Sub-Loop 0, but BA[2:0] = 2 | | | | | | | | | | | | | | |
| | | 3 | 24-31 | Repeat Sub-Loop 0, but BA[2:0] = 3 | | | | | | | | | | | | | | |
| | | 4 | 32-39 | Repeat Sub-Loop 0, but BA[2:0] = 4 | | | | | | | | | | | | | | |
| | | 5 | 40-47 | Repeat Sub-Loop 0, but BA[2:0] = 5 | | | | | | | | | | | | | | |
| | | 6 | 48-55 | Repeat Sub-Loop 0, but BA[2:0] = 6 | | | | | | | | | | | | | | |
| | | 7 | 56-63 | Repeat Sub-Loop 0, but BA[2:0] = 7 | | | | | | | | | | | | | | |

Notes:

- DM must be driven LOW all the time. DQS, DQS# are used according to RD Commands, otherwise MID-LEVEL.
- Burst Sequence driven on each DQ signal by Read Command. Outside burst operation, DQ signals are MID-LEVEL.

Table 46 – IDD4W Measurement-Loop Pattern¹

| CK, CK# | CKE | Sub-Loop | Cycle Number | Command | CS# | RAS# | CAS# | WE# | ODT | BA[2:0] | A[15:11] | A[10] | A[9:7] | A[6:3] | A[2:0] | Data ² | | |
|----------|-------------|----------|--------------|------------------------------------|-----|------|------|-----|-----|---------|----------|-------|--------|--------|--------|-------------------|----------|--|
| toggling | Static High | 0 | 0 | WR | 0 | 1 | 0 | 0 | 1 | 0 | 0 | 0 | 0 | 0 | 0 | 00000000 | | |
| | | | 1 | D | 1 | 0 | 0 | 0 | 1 | 0 | 0 | 0 | 0 | 0 | 0 | - | | |
| | | | 2, 3 | D#, D# | 1 | 1 | 1 | 1 | 1 | 0 | 0 | 0 | 0 | 0 | 0 | - | | |
| | | | 4 | WR | 0 | 1 | 0 | 0 | 1 | 0 | 0 | 0 | 0 | 0 | F | 0 | 00110011 | |
| | | | 5 | D | 1 | 0 | 0 | 0 | 1 | 0 | 0 | 0 | 0 | 0 | F | 0 | - | |
| | | | 6, 7 | D#, D# | 1 | 1 | 1 | 1 | 1 | 0 | 0 | 0 | 0 | 0 | F | 0 | - | |
| | | 1 | 8-15 | Repeat Sub-Loop 0, but BA[2:0] = 1 | | | | | | | | | | | | | | |
| | | 2 | 16-23 | Repeat Sub-Loop 0, but BA[2:0] = 2 | | | | | | | | | | | | | | |
| | | 3 | 24-31 | Repeat Sub-Loop 0, but BA[2:0] = 3 | | | | | | | | | | | | | | |
| | | 4 | 32-39 | Repeat Sub-Loop 0, but BA[2:0] = 4 | | | | | | | | | | | | | | |
| | | 5 | 40-47 | Repeat Sub-Loop 0, but BA[2:0] = 5 | | | | | | | | | | | | | | |
| | | 6 | 48-55 | Repeat Sub-Loop 0, but BA[2:0] = 6 | | | | | | | | | | | | | | |
| | | 7 | 56-63 | Repeat Sub-Loop 0, but BA[2:0] = 7 | | | | | | | | | | | | | | |

Notes:

- DM must be driven LOW all the time. DQS, DQS# are used according to WR Commands, otherwise MID-LEVEL.
- Burst Sequence driven on each DQ signal by Write Command. Outside burst operation, DQ signals are MID-LEVEL.

Table 47 – IDD5B Measurement-Loop Pattern¹

| CK, CK# | CKE | Sub-Loop | Cycle Number | Command | CS# | RAS# | CAS# | WE# | ODT | BA[2:0] | A[15:11] | A[10] | A[9:7] | A[6:3] | A[2:0] | Data ² | | |
|----------|-------------|----------|---------------|---|-----|------|------|-----|-----|---------|----------|-------|--------|--------|--------|-------------------|---|--|
| toggling | Static High | 0 | 0 | REF | 0 | 0 | 0 | 1 | 0 | 0 | 0 | 0 | 0 | 0 | 0 | - | | |
| | | 1 | 1, 2 | D, D | 1 | 0 | 0 | 0 | 0 | 0 | 0 | 0 | 0 | 0 | 0 | 0 | - | |
| | | | 3, 4 | D#, D# | 1 | 1 | 1 | 1 | 0 | 0 | 0 | 0 | 0 | 0 | F | 0 | - | |
| | | | 5...8 | Repeat cycles 1...4, but BA[2:0] = 1 | | | | | | | | | | | | | | |
| | | | 9...12 | Repeat cycles 1...4, but BA[2:0] = 2 | | | | | | | | | | | | | | |
| | | | 13...16 | Repeat cycles 1...4, but BA[2:0] = 3 | | | | | | | | | | | | | | |
| | | | 17...20 | Repeat cycles 1...4, but BA[2:0] = 4 | | | | | | | | | | | | | | |
| | | | 21...24 | Repeat cycles 1...4, but BA[2:0] = 5 | | | | | | | | | | | | | | |
| | | | 25...28 | Repeat cycles 1...4, but BA[2:0] = 6 | | | | | | | | | | | | | | |
| | | | 29...32 | Repeat cycles 1...4, but BA[2:0] = 7 | | | | | | | | | | | | | | |
| | | 2 | 33...nRFC - 1 | Repeat Sub-Loop 1, until nRFC - 1. Truncate, if necessary | | | | | | | | | | | | | | |

Notes:

1. DM must be driven LOW all the time. DQS, DQS# are MID-LEVEL.
2. DQ signals are MID-LEVEL.

Table 48 – IDD7 Measurement-Loop Pattern¹

ATTENTION: Sub-Loops 10-19 have inverse A[6:3] Pattern and Data Pattern than Sub-Loops 0-9

| CK, CK# | CKE | Sub-Loop | Cycle Number | Command | CS# | RAS# | CAS# | WE# | ODT | BA[2:0] | A[15:11] | A[10] | A[9:7] | A[6:3] | A[2:0] | Data ² | | | |
|----------|---------------|--|---------------|--|-----|------|------|-----|-----|---------|----------|-------|--------|--------|--------|-------------------|---|----------|---|
| toggling | Static High | 0 | 0 | ACT | 0 | 0 | 1 | 1 | 0 | 0 | 0 | 0 | 0 | 0 | 0 | 0 | - | | |
| | | | 1 | RDA | 0 | 1 | 0 | 1 | 0 | 0 | 0 | 0 | 1 | 0 | 0 | 0 | 0 | 00000000 | |
| | | | 2 | D | 1 | 0 | 0 | 0 | 0 | 0 | 0 | 0 | 0 | 0 | 0 | 0 | 0 | - | |
| | | | ... | Repeat above D Command until nRRD - 1 | | | | | | | | | | | | | | | |
| | | 1 | nRRD | ACT | 0 | 0 | 1 | 1 | 0 | 1 | 0 | 1 | 0 | 0 | F | 0 | 0 | - | |
| | | | nRRD+1 | RDA | 0 | 1 | 0 | 1 | 0 | 1 | 0 | 1 | 0 | 1 | F | 0 | 0 | 00110011 | |
| | | | nRRD+2 | D | 1 | 0 | 0 | 0 | 0 | 0 | 1 | 0 | 0 | 0 | F | 0 | 0 | - | |
| | | | ... | Repeat above D Command until 2 * nRRD - 1 | | | | | | | | | | | | | | | |
| | | 2 | 2*nRRD | Repeat Sub-Loop 0, but BA[2:0] = 2 | | | | | | | | | | | | | | | |
| | | 3 | 3*nRRD | Repeat Sub-Loop 1, but BA[2:0] = 3 | | | | | | | | | | | | | | | |
| | | 4 | 4*nRRD | D | 1 | 0 | 0 | 0 | 0 | 0 | 3 | 0 | 0 | 0 | F | 0 | 0 | - | |
| | | | | Assert and repeat above D Command until nFAW - 1, if necessary | | | | | | | | | | | | | | | |
| | | 5 | nFAW | Repeat Sub-Loop 0, but BA[2:0] = 4 | | | | | | | | | | | | | | | |
| | | 6 | nFAW+nRRD | Repeat Sub-Loop 1, but BA[2:0] = 5 | | | | | | | | | | | | | | | |
| | | 7 | nFAW+2*nRRD | Repeat Sub-Loop 0, but BA[2:0] = 6 | | | | | | | | | | | | | | | |
| | | 8 | nFAW+3*nRRD | Repeat Sub-Loop 1, but BA[2:0] = 7 | | | | | | | | | | | | | | | |
| | | 9 | nFAW+4*nRRD | D | 1 | 0 | 0 | 0 | 0 | 0 | 7 | 0 | 0 | 0 | F | 0 | 0 | - | |
| | | | | Assert and repeat above D Command until 2 * nFAW - 1, if necessary | | | | | | | | | | | | | | | |
| | | 10 | 2*nFAW+0 | ACT | 0 | 0 | 1 | 1 | 0 | 0 | 0 | 0 | 0 | 0 | F | 0 | 0 | - | |
| | | | | RDA | 0 | 1 | 0 | 1 | 0 | 0 | 0 | 0 | 1 | 0 | F | 0 | 0 | 00110011 | |
| | | | | D | 1 | 0 | 0 | 0 | 0 | 0 | 0 | 0 | 0 | 0 | 0 | F | 0 | 0 | - |
| | | | | Repeat above D Command until 2 * nFAW + nRRD - 1 | | | | | | | | | | | | | | | |
| | | 11 | 2*nFAW+nRRD | ACT | 0 | 0 | 1 | 1 | 0 | 1 | 0 | 0 | 0 | 0 | 0 | 0 | 0 | - | |
| | | | | RDA | 0 | 1 | 0 | 1 | 0 | 1 | 0 | 1 | 0 | 1 | 0 | 0 | 0 | 00000000 | |
| | | | | D | 1 | 0 | 0 | 0 | 0 | 0 | 1 | 0 | 0 | 0 | 0 | 0 | 0 | 0 | - |
| | | | | Repeat above D Command until 2 * nFAW + 2 * nRRD - 1 | | | | | | | | | | | | | | | |
| | | 12 | 2*nFAW+2*nRRD | Repeat Sub-Loop 10, but BA[2:0] = 2 | | | | | | | | | | | | | | | |
| | | 13 | 2*nFAW+3*nRRD | Repeat Sub-Loop 11, but BA[2:0] = 3 | | | | | | | | | | | | | | | |
| | | 14 | 2*nFAW+4*nRRD | D | 1 | 0 | 0 | 0 | 0 | 0 | 3 | 0 | 0 | 0 | 0 | 0 | 0 | - | |
| | | | | Assert and repeat above D Command until 3 * nFAW - 1, if necessary | | | | | | | | | | | | | | | |
| 15 | 3*nFAW | Repeat Sub-Loop 10, but BA[2:0] = 4 | | | | | | | | | | | | | | | | | |
| 16 | 3*nFAW+nRRD | Repeat Sub-Loop 11, but BA[2:0] = 5 | | | | | | | | | | | | | | | | | |
| 17 | 3*nFAW+2*nRRD | Repeat Sub-Loop 10, but BA[2:0] = 6 | | | | | | | | | | | | | | | | | |
| 18 | 3*nFAW+3*nRRD | Repeat Sub-Loop 11, but BA[2:0] = 7 | | | | | | | | | | | | | | | | | |
| 19 | 3*nFAW+4*nRRD | D | 1 | 0 | 0 | 0 | 0 | 0 | 7 | 0 | 0 | 0 | 0 | 0 | 0 | - | | | |
| | | Assert and repeat above D Command until 4 * nFAW - 1, if necessary | | | | | | | | | | | | | | | | | |

Notes:

- DM must be driven LOW all the time. DQS, DQS# are used according to RD Commands, otherwise MID-LEVEL.
- Burst Sequence driven on each DQ signal by Read Command. Outside burst operation, DQ signals are MID-LEVEL.



10.13.2 IDD Current Specifications

| SYM. | Speed Bin | DDR3L-1333 | DDR3L-1600 | DDR3L-1866 | DDR3L-2133 | UNIT |
|----------|--|-------------|-------------|-------------|-------------|------|
| | Part Number Extension | -15/15I/15J | -12/12I/12J | -11/11I/11J | -09/09I/09J | |
| | DEFINITION | MAX. | MAX. | MAX. | MAX. | |
| IDD0 | Operating One Bank Active-Precharge Current | 164 | 182 | 200 | 218 | mA |
| IDD1 | Operating One Bank Active-Read-Precharge Current | 188 | 211 | 234 | 255 | mA |
| IDD2N | Precharge Standby Current | 101 | 111 | 121 | 130 | mA |
| IDD2NT | Precharge Standby ODT Current | 152 | 166 | 180 | 193 | mA |
| IDD2P0 | Precharge Power Down Current Slow Exit | 20 | 20 | 21 | 22 | mA |
| IDD2P1 | Precharge Power Down Current Fast Exit | 53 | 60 | 66 | 72 | mA |
| IDD2Q | Precharge Quiet Standby Current | 99 | 110 | 119 | 128 | mA |
| IDD3N | Active Standby Current | 126 | 136 | 146 | 155 | mA |
| IDD3P | Active Power Down Current | 69 | 76 | 83 | 89 | mA |
| IDD4R | Operating Burst Read Current | 267 | 297 | 328 | 356 | mA |
| IDD4W | Operating Burst Write Current | 282 | 315 | 348 | 380 | mA |
| IDD5B | Burst Refresh Current | 226 | 234 | 246 | 254 | mA |
| IDD6*3 | Normal Temperature Self-Refresh Current | 17 | 17 | 17 | 17 | mA |
| IDD6ET*4 | Extended Temperature Self-Refresh Current | 22 | 22 | 22 | 22 | mA |
| IDD7 | Operating Bank Interleave Read Current | 355 | 403 | 452 | 499 | mA |
| IDD8 | RESET# Low Current | 12 | 12 | 12 | 12 | mA |

Notes:

- Max. values for IDD currents consider worst case conditions of process, temperature and voltage.
- The IDD values must be derated (increased) when operated outside the range $0^{\circ}\text{C} \leq \text{TCASE} \leq 85^{\circ}\text{C}$:
 - When $\text{TCASE} < 0^{\circ}\text{C}$: IDD2P0, IDD2P1 and IDD3P must be derated by 4%; IDD4R and IDD5W must be derated by 2%; and IDD6, IDD6ET and IDD7 must be derated by 7%.
 - When $\text{TCASE} > 85^{\circ}\text{C}$: IDD0, IDD1, IDD2N, IDD2NT, IDD2Q, IDD3N, IDD3P, IDD4R, IDD4W, and IDD5B must be derated by 2%; and IDD2P0, IDD2P1 must be derated by 30%.
- Set MR2 A[6] = 0b, Auto Self-Refresh (ASR) disable; Set MR2 A[7] = 0b, Self-Refresh Temperature Range (SRT) disable for normal temperature range.
- Set MR2 A[6] = 0b, ASR disable; Set MR2 A[7] = 1b, SRT enable for extended temperature range.



10.14 Clock Specification

The jitter specified is a random jitter meeting a Gaussian distribution. Input clocks violating the min/max values may result in malfunction of the DDR3L SDRAM device.

Definition for tCK(avg)

tCK(avg) is calculated as the average clock period across any consecutive 200 cycle window, where each clock period is calculated from rising edge to rising edge.

$$tCK(avg) = \left[\sum_{j=1}^N tCK_j \right] / N$$

where $N = 200$

Definition for tCK(abs)

tCK(abs) is defined as the absolute clock period, as measured from one rising edge to the next consecutive rising edge. tCK(abs) is not subject to production test.

Definition for tCH(avg) and tCL(avg)

tCH(avg) is defined as the average high pulse width, as calculated across any consecutive 200 high pulses.

$$tCH(avg) = \left[\sum_{j=1}^N tCH_j \right] / (N \times tCK(avg))$$

where $N = 200$

tCL(avg) is defined as the average low pulse width, as calculated across any consecutive 200 low pulses.

$$tCL(avg) = \left[\sum_{j=1}^N tCL_j \right] / (N \times tCK(avg))$$

where $N = 200$

Definition for tJIT(per) and tJIT(per,lck)

tJIT(per) is defined as the largest deviation of any signal tCK from tCK(avg).

tJIT(per) = Min/max of {tCK_i - tCK(avg) where i = 1 to 200}.

tJIT(per) defines the single period jitter when the DLL is already locked.

tJIT(per,lck) uses the same definition for single period jitter, during the DLL locking period only.

tJIT(per) and tJIT(per,lck) are not subject to production test.



Definition for tJIT(cc) and tJIT(cc,lck)

tJIT(cc) is defined as the absolute difference in clock period between two consecutive clock cycles.

$$tJIT(cc) = \text{Max of } \{|tCK_{i+1} - tCK_i|\}.$$

tJIT(cc) defines the cycle to cycle jitter when the DLL is already locked.

tJIT(cc,lck) uses the same definition for cycle to cycle jitter, during the DLL locking period only.

tJIT(cc) and tJIT(cc,lck) are not subject to production test.

Definition for tERR(nper)

tERR is defined as the cumulative error across n multiple consecutive cycles from tCK(avg). tERR is not subject to production test.

10.15 Speed Bins

DDR3L SDRAM Speed Bins include tCK, tRCD, tRP, tRC and tRAS for each corresponding bin.

10.15.1 DDR3L-1333 Speed Bin and Operating Conditions

| Speed Bin | | DDR3L-1333 | | UNIT | NOTES |
|---|------------|---------------------|---------------------|------|---------------|
| CL-nRCD-nRP | | 9-9-9 | | | |
| Part Number Extension | | -15/15J | | | |
| Parameter | Symbol | Min. | Max. | | |
| Maximum operating frequency using maximum allowed settings for Sup_CL and Sup_CWL | fCKMAX | – | 667 | MHz | |
| Internal read command to first data | tAA | 13.5 (13.125)*10 | 20 | nS | |
| ACT to internal read or write delay time | tRCD | 13.5 (13.125)*10 | – | nS | |
| PRE command period | tRP | 13.5 (13.125)*10 | – | nS | |
| ACT to ACT or REF command period | tRC | 49.5 (49.125)*10 | – | nS | |
| ACT to PRE command period | tRAS | 36 | 9 * tREFI | nS | |
| CL = 5 | CWL = 5 | tCK(AVG) | 3.0 3.3 | nS | 1, 2, 3, 4, 6 |
| | CWL = 6, 7 | tCK(AVG) | Reserved | nS | 5 |
| CL = 6 | CWL = 5 | tCK(AVG) | 2.5 3.3 | nS | 1, 2, 3, 4, 6 |
| | CWL = 6, 7 | tCK(AVG) | Reserved | nS | 5 |
| CL = 7 | CWL = 5 | tCK(AVG) | Reserved | nS | 5 |
| | CWL = 6 | tCK(AVG) | 1.875 < 2.5 | nS | 1, 2, 3, 4, 6 |
| | | | (Optional)*10 | nS | |
| CWL = 7 | tCK(AVG) | Reserved | nS | 5 | |
| CL = 8 | CWL = 5 | tCK(AVG) | Reserved | nS | 5 |
| | CWL = 6 | tCK(AVG) | 1.875 < 2.5 | nS | 1, 2, 3, 4, 6 |
| | CWL = 7 | tCK(AVG) | Reserved | nS | 5 |
| CL = 9 | CWL = 5, 6 | tCK(AVG) | Reserved | nS | 5 |
| | CWL = 7 | tCK(AVG) | 1.5 < 1.875 | nS | 1, 2, 3, 4 |
| CL = 10 | CWL = 5, 6 | tCK(AVG) | Reserved | nS | 5 |
| | CWL = 7 | tCK(AVG) | 1.5 < 1.875 | nS | 1, 2, 3, 4 |
| Supported CL Settings | | Sup_CL | 5, 6, (7), 8, 9, 10 | nCK | |
| Supported CWL Settings | | Sup_CWL | 5, 6, 7 | nCK | |

Note:

Field value contents in blue font or parentheses are optional AC parameter and CL setting. Detail descriptions refer to note 10.

Publication Release Date: Jan. 24, 2018

Revision: A01



10.15.2 DDR3L-1600 Speed Bin and Operating Conditions

| Speed Bin | | DDR3L-1600 | | UNIT | NOTES | |
|---|---------------|----------------------------------|---------------------------|---------|-------|---------------|
| CL-nRCD-nRP | | 11-11-11 | | | | |
| Part Number Extension | | -12/12/12J | | | | |
| Parameter | Symbol | Min. | Max. | | | |
| Maximum operating frequency using maximum allowed settings for Sup_CL and Sup_CWL | fCKMAX | – | 800 | MHz | | |
| Internal read command to first data | tAA | 13.75 (13.125)* ¹⁰ | 20 | nS | | |
| ACT to internal read or write delay time | tRCD | 13.75 (13.125)* ¹⁰ | – | nS | | |
| PRE command period | tRP | 13.75 (13.125)* ¹⁰ | – | nS | | |
| ACT to ACT or REF command period | tRC | 48.75 (48.125)* ¹⁰ | – | nS | | |
| ACT to PRE command period | tRAS | 35 | 9 * tREFI | nS | | |
| CL = 5 | CWL = 5 | tCK(AVG) | 3.0 | 3.3 | nS | 1, 2, 3, 4, 7 |
| | CWL = 6, 7, 8 | tCK(AVG) | Reserved | | nS | 5 |
| CL = 6 | CWL = 5 | tCK(AVG) | 2.5 | 3.3 | nS | 1, 2, 3, 4, 7 |
| | CWL = 6, 7, 8 | tCK(AVG) | Reserved | | nS | 5 |
| CL = 7 | CWL = 5 | tCK(AVG) | Reserved | | nS | 5 |
| | CWL = 6 | tCK(AVG) | 1.875 | < 2.5 | nS | 1, 2, 3, 4, 7 |
| | | (Optional)* ¹⁰ | | | | nS |
| CWL = 7, 8 | tCK(AVG) | Reserved | | nS | 5 | |
| CL = 8 | CWL = 5 | tCK(AVG) | Reserved | | nS | 5 |
| | CWL = 6 | tCK(AVG) | 1.875 | < 2.5 | nS | 1, 2, 3, 4, 7 |
| | CWL = 7, 8 | tCK(AVG) | Reserved | | nS | 5 |
| CL = 9 | CWL = 5, 6 | tCK(AVG) | Reserved | | nS | 5 |
| | CWL = 7 | tCK(AVG) | 1.5 | < 1.875 | nS | 5 |
| | | (Optional)* ¹⁰ | | | | nS |
| CWL = 8 | tCK(AVG) | Reserved | | nS | 5 | |
| CL = 10 | CWL = 5, 6 | tCK(AVG) | Reserved | | nS | 5 |
| | CWL = 7 | tCK(AVG) | 1.5 | < 1.875 | nS | 1, 2, 3, 4, 7 |
| | CWL = 8 | tCK(AVG) | Reserved | | nS | 5 |
| CL = 11 | CWL = 5, 6, 7 | tCK(AVG) | Reserved | | nS | 5 |
| | CWL = 8 | tCK(AVG) | 1.25 | < 1.5 | nS | 1, 2, 3, 4 |
| Supported CL Settings | | Sup_CL | 5, 6, (7), 8, (9), 10, 11 | | nCK | |
| Supported CWL Settings | | Sup_CWL | 5, 6, 7, 8 | | nCK | |

Note:

Field value contents in blue font or parentheses are optional AC parameter and CL setting. Detail descriptions refer to note 10.



10.15.3 DDR3L-1866 Speed Bin and Operating Conditions

| Speed Bin | | DDR3L-1866 | | UNIT | NOTES | |
|---|------------------|------------|-----------------|---------|-------|---------------|
| CL-nRCD-nRP | | 13-13-13 | | | | |
| Part Number Extension | | -11/11/11J | | | | |
| Parameter | Symbol | Min. | Max. | | | |
| Maximum operating frequency using maximum allowed settings for Sup_CL and Sup_CWL | fCKMAX | – | 933 | MHz | | |
| Internal read command to first data | tAA | 13.91 | 20 | nS | | |
| ACT to internal read or write delay time | tRCD | 13.91 | – | nS | | |
| PRE command period | tRP | 13.91 | – | nS | | |
| ACT to ACT or REF command period | tRC | 47.91 | – | nS | | |
| ACT to PRE command period | tRAS | 34 | 9 * tREFI | nS | | |
| CL = 5 | CWL = 5 | tCK(AVG) | 3.0 | 3.3 | nS | 1, 2, 3, 4, 8 |
| | CWL = 6, 7, 8, 9 | tCK(AVG) | Reserved | | nS | 5 |
| CL = 6 | CWL = 5 | tCK(AVG) | 2.5 | 3.3 | nS | 1, 2, 3, 4, 8 |
| | CWL = 6, 7, 8, 9 | tCK(AVG) | Reserved | | nS | 5 |
| CL = 8 | CWL = 5 | tCK(AVG) | Reserved | | nS | 5 |
| | CWL = 6 | tCK(AVG) | 1.875 | < 2.5 | nS | 1, 2, 3, 4, 8 |
| | CWL = 7, 8, 9 | tCK(AVG) | Reserved | | nS | 5 |
| CL = 10 | CWL = 5, 6 | tCK(AVG) | Reserved | | nS | 5 |
| | CWL = 7 | tCK(AVG) | 1.5 | < 1.875 | nS | 1, 2, 3, 4, 8 |
| | CWL = 8, 9 | tCK(AVG) | Reserved | | nS | 5 |
| CL = 13 | CWL = 5, 6, 7, 8 | tCK(AVG) | Reserved | | nS | 5 |
| | CWL = 9 | tCK(AVG) | 1.07 | < 1.25 | nS | 1, 2, 3, 4 |
| Supported CL Settings | | Sup_CL | 5, 6, 8, 10, 13 | | nCK | |
| Supported CWL Settings | | Sup_CWL | 5, 6, 7, 9 | | nCK | |



10.15.4 DDR3L-2133 Speed Bin and Operating Conditions

| Speed Bin | | DDR3L-2133 | | UNIT | NOTES | |
|---|----------------------|----------------------|-------------------------------|---------|-------|---------------|
| CL-nRCD-nRP | | 14-14-14 | | | | |
| Part Number Extension | | -09/09/09J | | | | |
| Parameter | Symbol | Min. | Max. | | | |
| Maximum operating frequency using maximum allowed settings for Sup_CL and Sup_CWL | f _{CKMAX} | - | 1067 | MHz | | |
| Internal read command to first data | t _{AA} | 13.09 | 20 | nS | | |
| ACT to internal read or write delay time | t _{RCD} | 13.09 | - | nS | | |
| PRE command period | t _{RP} | 13.09 | - | nS | | |
| ACT to ACT or REF command period | t _{RC} | 46.09 | - | nS | | |
| ACT to PRE command period | t _{RAS} | 33 | 9 * t _{REFI} | nS | | |
| CL = 5 | CWL = 5 | t _{CK(AVG)} | 3.0 | 3.3 | nS | 1, 2, 3, 4, 9 |
| | CWL = 6, 7, 8, 9, 10 | t _{CK(AVG)} | Reserved | | nS | 5 |
| CL = 6 | CWL = 5 | t _{CK(AVG)} | 2.5 | 3.3 | nS | 1, 2, 3, 4, 9 |
| | CWL = 6, 7, 8, 9, 10 | t _{CK(AVG)} | Reserved | | nS | 5 |
| CL = 7 | CWL = 5 | t _{CK(AVG)} | Reserved | | nS | 5 |
| | CWL = 6 | t _{CK(AVG)} | 1.875 | < 2.5 | nS | 1, 2, 3, 4, 9 |
| | CWL = 7, 8, 9, 10 | t _{CK(AVG)} | Reserved | | nS | 5 |
| CL = 8 | CWL = 5 | t _{CK(AVG)} | Reserved | | nS | 5 |
| | CWL = 6 | t _{CK(AVG)} | 1.875 | < 2.5 | nS | 1, 2, 3, 4, 9 |
| | CWL = 7, 8, 9, 10 | t _{CK(AVG)} | Reserved | | nS | 5 |
| CL = 9 | CWL = 5, 6 | t _{CK(AVG)} | Reserved | | nS | 5 |
| | CWL = 7 | t _{CK(AVG)} | 1.5 | < 1.875 | nS | 1, 2, 3, 4, 9 |
| | CWL = 8, 9, 10 | t _{CK(AVG)} | Reserved | | nS | 5 |
| CL = 10 | CWL = 5, 6 | t _{CK(AVG)} | Reserved | | nS | 5 |
| | CWL = 7 | t _{CK(AVG)} | 1.5 | < 1.875 | nS | 1, 2, 3, 4, 9 |
| | CWL = 8, 9, 10 | t _{CK(AVG)} | Reserved | | nS | 5 |
| CL = 11 | CWL = 5, 6, 7 | t _{CK(AVG)} | Reserved | | nS | 5 |
| | CWL = 8 | t _{CK(AVG)} | 1.25 | < 1.5 | nS | 1, 2, 3, 4, 9 |
| | CWL = 9, 10 | t _{CK(AVG)} | Reserved | | nS | 5 |
| CL = 13 | CWL = 5, 6, 7, 8 | t _{CK(AVG)} | Reserved | | nS | 5 |
| | CWL = 9 | t _{CK(AVG)} | 1.07 | < 1.25 | nS | 1, 2, 3, 4, 9 |
| | CWL = 10 | t _{CK(AVG)} | Reserved | | nS | 5 |
| CL = 14 | CWL = 5, 6, 7, 8, 9 | t _{CK(AVG)} | Reserved | | nS | 5 |
| | CWL = 10 | t _{CK(AVG)} | 0.938 | < 1.07 | nS | 1, 2, 3, 4 |
| Supported CL Settings | | Sup_CL | 5, 6, 7, 8, 9, 10, 11, 13, 14 | | nCK | |
| Supported CWL Settings | | Sup_CWL | 5, 6, 7, 8, 9, 10 | | nCK | |



10.15.5 Speed Bin General Notes

The absolute specification for all speed bins is T_{OPER} and V_{DD} = V_{DDQ} = 1.283V to 1.45V. In addition the following general notes apply.

1. Max. limits are exclusive. E.g. if t_{CK(AVG)}.MAX value is 2.5 nS, t_{CK(AVG)} needs to be < 2.5 nS.
2. The CL setting and CWL setting result in t_{CK(AVG)}.MIN and t_{CK(AVG)}.MAX requirements. When making a selection of t_{CK(AVG)}, both need to be fulfilled: Requirements from CL setting as well as requirements from CWL setting.
3. t_{CK(AVG)}.MIN limits: Since CAS Latency is not purely analog - data and strobe output are synchronized by the DLL - all possible intermediate frequencies may not be guaranteed. An application should use the next smaller standard t_{CK(AVG)} value (3.0, 2.5, 1.875, 1.5, 1.25, 1.07, or 0.938 nS) when calculating CL [nCK] = t_{AA} [nS] / t_{CK(AVG)} [nS], rounding up to the next 'Supported CL'.
4. t_{CK(AVG)}.MAX limits: Calculate t_{CK(AVG)} = t_{AA}.MAX / CL SELECTED and round the resulting t_{CK(AVG)} down to the next valid speed bin (i.e. 3.3nS or 2.5nS or 1.875 nS, 1.5 nS or 1.25 nS or 1.07 nS). This result is t_{CK(AVG)}.MAX corresponding to CL SELECTED.
5. 'Reserved' settings are not allowed. User must program a different value.
6. Any DDR3L-1333 speed bin also supports functional operation at lower frequencies as shown in the table which are not subject to Production Tests but verified by Design/Characterization.
7. Any DDR3L-1600 speed bin also supports functional operation at lower frequencies as shown in the table which are not subject to Production Tests but verified by Design/Characterization.
8. Any DDR3L-1866 speed bin also supports functional operation at lower frequencies as shown in the table which are not subject to Production Tests but verified by Design/Characterization.
9. Any DDR3L-2133 speed bin also supports functional operation at lower frequencies as shown in the table which are not subject to Production Tests but verified by Design/Characterization.
10. For devices supporting optional down binning to CL=7 and CL=9, t_{AA}/t_{RCD}/t_{RP} min must be 13.125 nS or lower. SPD settings must be programmed to match. For example, DDR3L-1333 (9-9-9) devices supporting down binning to DDR3L-1066 (7-7-7) should program 13.125 nS in SPD bytes for t_{AA}min (Byte 16), t_{RCD}min (Byte 18), and t_{RP}min (Byte 20). DDR3L-1600 (11-11-11) devices supporting down binning to DDR3L-1333 (9-9-9) or DDR3L-1066 (7-7-7) should program 13.125 nS in SPD bytes for t_{AA}min (Byte 16), t_{RCD}min (Byte 18), and t_{RP}min (Byte 20). Once t_{RP} (Byte 20) is programmed to 13.125 nS, t_{RC}min (Byte 21, 23) also should be programmed accordingly. For example, 49.125nS (t_{RAS}min + t_{RP}min = 36 nS + 13.125 nS) for DDR3L-1333 (9-9-9) and 48.125 nS (t_{RAS}min + t_{RP}min = 35 nS + 13.125 nS) for DDR3L-1600 (11-11-11).



10.16 AC Characteristics

10.16.1 AC Timing and Operating Condition for -09/09I/09J/-11/11I/11J speed grades

| SYMBOL | SPEED GRADE PARAMETER | DDR3L-2133 (-09/09I/09J) | | DDR3L-1866 (-11/11I/11J) | | UNITS | NOTES |
|---------------------------|--|--|------|-----------------------------|------|----------|------------|
| | | MIN. | MAX. | MIN. | MAX. | | |
| Common Notes | | | | | | | 1, 2, 3, 4 |
| Clock Input Timing | | | | | | | |
| tCK(DLL-off) | Minimum clock cycle time (DLL-off mode) | 8 | – | 8 | – | nS | 45 |
| tCK(avg) | Average Clock Period | See “Speed Bin” on page 136 | | See “Speed Bin” on page 135 | | pS | |
| tCH(avg) | Average CK/CK# high pulse width | 0.47 | 0.53 | 0.47 | 0.53 | tCK(avg) | |
| tCL(avg) | Average CK/CK# low pulse width | 0.47 | 0.53 | 0.47 | 0.53 | tCK(avg) | |
| tCK(abs) | Absolute Clock Period | Min.: tCK(avg)min + tJIT(per)min Max.: tCK(avg)max + tJIT(per)max | | | | pS | 37 |
| tCH(abs) | Absolute CK/CK# high pulse width | 0.43 | – | 0.43 | – | tCK(avg) | 38 |
| tCL(abs) | Absolute CK/CK# low pulse width | 0.43 | – | 0.43 | – | tCK(avg) | 39 |
| tJIT(per) | Clock Period Jitter | -50 | 50 | -60 | 60 | pS | |
| tJIT(per,lck) | Clock Period Jitter during DLL locking period | -40 | 40 | -50 | 50 | pS | |
| tJIT(cc) | Cycle to Cycle Period Jitter | 100 | | 120 | | pS | |
| tJIT(cc,lck) | Cycle to Cycle Period Jitter during DLL locking period | 80 | | 100 | | pS | |
| tJIT(duty) | Clock Duty Cycle Jitter | Already included in tCH(abs) and tCL(abs) | | | | pS | |
| tERR(2per) | Cumulative error across 2 cycles | -74 | 74 | -88 | 88 | pS | |
| tERR(3per) | Cumulative error across 3 cycles | -87 | 87 | -105 | 105 | pS | |
| tERR(4per) | Cumulative error across 4 cycles | -97 | 97 | -117 | 117 | pS | |
| tERR(5per) | Cumulative error across 5 cycles | -105 | 105 | -126 | 126 | pS | |
| tERR(6per) | Cumulative error across 6 cycles | -111 | 111 | -133 | 133 | pS | |
| tERR(7per) | Cumulative error across 7 cycles | -116 | 116 | -139 | 139 | pS | |
| tERR(8per) | Cumulative error across 8 cycles | -121 | 121 | -145 | 145 | pS | |
| tERR(9per) | Cumulative error across 9 cycles | -125 | 125 | -150 | 150 | pS | |
| tERR(10per) | Cumulative error across 10 cycles | -128 | 128 | -154 | 154 | pS | |
| tERR(11per) | Cumulative error across 11 cycles | -132 | 132 | -158 | 158 | pS | |
| tERR(12per) | Cumulative error across 12 cycles | -134 | 134 | -161 | 161 | pS | |
| tERR(nper) | Cumulative error across n = 13, 14...49, 50 cycles | Min.: tJIT(per)min * (1 + 0.68 * ln(n)) Max.: tJIT(per)max * (1 + 0.68 * ln(n)) | | | | pS | 7 |



AC Timing and Operating Condition for -09/09I/09J/-11/11I/11J speed grades, continued

| SYMBOL | SPEED GRADE | | DDR3L-2133 (-09/09I/09J) | | DDR3L-1866 (-11/11I/11J) | | UNITS | NOTES |
|-----------------------------------|---|----------------------------|-----------------------------|---------|-----------------------------|---------|----------|------------|
| | PARAMETER | | MIN. | MAX. | MIN. | MAX. | | |
| Data Timing | | | | | | | | |
| tDQSQ | DQS, DQS# to DQ skew, per group, per access | | - | 75 | - | 85 | pS | 23 |
| tQH | DQ output hold time from DQS, DQS# | | 0.38 | - | 0.38 | - | tCK(avg) | 18, 23 |
| tLZ(DQ) | DQ low impedance time from CK, CK# | | -360 | 180 | -390 | 195 | pS | 17, 23, 24 |
| tHZ(DQ) | DQ high impedance time from CK, CK# | | - | 180 | - | 195 | pS | 17, 23, 24 |
| tDS(AC130) | Data setup time to DQS, DQS# | Base specification @ 2V/nS | 55 | - | 70 | - | pS | 11, 40 |
| | | VREF @ 2 V/nS | 120 | - | 135 | - | pS | 11, 40, 42 |
| tDH(DC90) | Data hold time from DQS, DQS# | Base specification @ 2V/nS | 60 | - | 75 | - | pS | 11, 40 |
| | | VREF @ 2 V/nS | 105 | - | 120 | - | pS | 11, 40, 42 |
| tDIPW | DQ and DM input pulse width for each input | | 280 | - | 320 | - | pS | 10 |
| Data Strobe Timing | | | | | | | | |
| tRPRE | DQS,DQS# differential READ Preamble | | 0.9 | Note 21 | 0.9 | Note 21 | tCK(avg) | 18, 21, 23 |
| tRPST | DQS,DQS# differential READ Postamble | | 0.3 | Note 22 | 0.3 | Note 22 | tCK(avg) | 18, 22, 23 |
| tQSH | DQS,DQS# differential output high time | | 0.4 | - | 0.4 | - | tCK(avg) | 18, 23 |
| tQSL | DQS,DQS# differential output low time | | 0.4 | - | 0.4 | - | tCK(avg) | 18, 23 |
| tWPRE | DQS,DQS# differential WRITE Preamble | | 0.9 | - | 0.9 | - | tCK(avg) | 46 |
| tWPST | DQS,DQS# differential WRITE Postamble | | 0.3 | - | 0.3 | - | tCK(avg) | 46 |
| tDQSK | DQS,DQS# rising edge output access time from rising CK, CK# | | -180 | 180 | -195 | 195 | pS | 17, 23 |
| tLZ(DQS) | DQS and DQS# low-impedance time from CK, CK# (Referenced from RL - 1) | | -360 | 180 | -390 | 195 | pS | 17, 23, 24 |
| tHZ(DQS) | DQS and DQS# high-impedance time from CK, CK# (Referenced from RL + BL/2) | | - | 180 | - | 195 | pS | 17, 23, 24 |
| tDQSL | DQS,DQS# differential input low pulse width | | 0.45 | 0.55 | 0.45 | 0.55 | tCK(avg) | 12, 14 |
| tDQSH | DQS,DQS# differential input high pulse width | | 0.45 | 0.55 | 0.45 | 0.55 | tCK(avg) | 13, 14 |
| tDQSS | DQS,DQS# rising edge to CK,CK# rising edge | | -0.27 | 0.27 | -0.27 | 0.27 | tCK(avg) | 16 |
| tDSS | DQS,DQS# falling edge setup time to CK,CK# rising edge | | 0.18 | - | 0.18 | - | tCK(avg) | 15, 16 |
| tDSH | DQS,DQS# falling edge hold time from CK,CK# rising edge | | 0.18 | - | 0.18 | - | tCK(avg) | 15, 16 |
| Command and Address Timing | | | | | | | | |
| tAA | Internal read command to first data | | See "Speed Bin" on page 136 | | See "Speed Bin" on page 135 | | nS | 8 |
| tRCD | ACT to internal read or write delay time | | | | | | nS | 8 |
| tRP | PRE command period | | | | | | nS | 8 |
| tRC | ACT to ACT or REF command period | | | | | | nS | 8 |
| tRAS | ACT to PRE command period | | | | | | nS | 8 |
| tDLLK | DLL locking time | | 512 | - | 512 | - | nCK | |
| tRTP | Internal READ Command to PRECHARGE Command delay | | max(4nCK, 7.5nS) | - | max(4nCK, 7.5nS) | - | | 8 |
| tWTR | Delay from start of internal write transaction to internal read command | | max(4nCK, 7.5nS) | - | max(4nCK, 7.5nS) | - | | 8, 26 |



AC Timing and Operating Condition for -09/09I/09J/-11/11I/11J speed grades, continued

| SYMBOL | SPEED GRADE | | DDR3L-2133 (-09/09I/09J) | | DDR3L-1866 (-11/11I/11J) | | UNITS | NOTES |
|-----------------------------------|---|-----------------------|----------------------------------|------|-----------------------------|------|-------|-----------|
| | PARAMETER | | MIN. | MAX. | MIN. | MAX. | | |
| Command and Address Timing | | | | | | | | |
| tWR | WRITE recovery time | | 15 | – | 15 | – | nS | 8, 26 |
| tMRD | Mode Register Set command cycle time | | 4 | – | 4 | – | nCK | |
| tMOD | Mode Register Set command update delay | | max(12nCK, 15nS) | – | max(12nCK, 15nS) | – | | |
| tCCD | CAS# to CAS# command delay | | 4 | – | 4 | – | nCK | |
| tDAL(min) | Auto precharge write recovery + precharge time | | WR + roundup(trP(min)/ tCK(avg)) | | | | nCK | 6 |
| tMPRR | Multi-Purpose Register Recovery Time | | 1 | – | 1 | – | nCK | 29 |
| tRRD | ACTIVE to ACTIVE command period for 1KB page size | | max(4nCK, 5nS) | – | max(4nCK, 5nS) | – | | 8 |
| tFAW | Four activate window for 1KB page size | | 25 | – | 27 | – | nS | 8 |
| tIS(AC135) | Command and Address setup time to CK, CK# | Base specification | 60 | – | 65 | – | pS | 9, 41 |
| | | VREF @ 1 V/nS | 195 | – | 200 | – | pS | 9, 41, 42 |
| tIS(AC125) | Command and Address setup time to CK, CK# | Base specification | 135 | – | 150 | – | pS | 9, 41 |
| | | VREF @ 1 V/nS | 260 | – | 275 | – | pS | 9, 41, 42 |
| tIH(DC90) | Command and Address hold time from CK, CK# | Base specification | 105 | – | 110 | – | pS | 9, 41 |
| | | VREF @ 1 V/nS | 195 | – | 200 | – | pS | 9, 41, 42 |
| tIPW | Control, address and control input pulse width for each input | | 470 | – | 535 | – | pS | 10 |
| Calibration Timing | | | | | | | | |
| tZQinit | Power-up and RESET calibration time | | max(512nCK, 640nS) | – | max(512nCK, 640nS) | – | | |
| tZQoper | Normal operation Full calibration time | | max(256nCK, 320nS) | – | max(256nCK, 320nS) | – | | |
| tZQCS | Normal operation Short calibration time | | max(64nCK, 80nS) | – | max(64nCK, 80nS) | – | | 33 |
| Reset Timing | | | | | | | | |
| tXPR | Exit Reset from CKE HIGH to a valid command | | max(5nCK, 270nS) | – | max(5nCK, 270nS) | – | | |
| Self Refresh Timing | | | | | | | | |
| tXS | Exit Self Refresh to commands not requiring a locked DLL | | max(5nCK, 270nS) | – | max(5nCK, 270nS) | – | | 34 |
| tXSDLL | Exit Self Refresh to commands requiring a locked DLL | | tDLLK(min) | – | tDLLK(min) | – | nCK | 35 |
| tCKESR | Minimum CKE low width for Self Refresh entry to exit timing | | tCKE(min) + 1nCK | – | tCKE(min) + 1nCK | – | | |
| tCKSRE | Valid Clock Requirement after Self Refresh Entry (SRE) | | max(5 nCK, 10nS) | – | max(5 nCK, 10nS) | – | | |
| tCKSRX | Valid Clock Requirement before Self Refresh Exit (SRX) | | max(5 nCK, 10nS) | – | max(5 nCK, 10nS) | – | | |
| Refresh Timing | | | | | | | | |
| tRFC | REF command to ACT or REF command time | | 260 | – | 260 | – | nS | 36 |
| tREFI | Average periodic refresh Interval | -40°C ≤ TCASE ≤ 85°C* | – | 7.8 | – | 7.8 | μS | |
| | | 0°C ≤ TCASE ≤ 85°C | – | 7.8 | – | 7.8 | μS | |
| | | 85°C < TCASE ≤ 95°C | – | 3.9 | – | 3.9 | μS | |
| | | 95°C < TCASE ≤ 105°C* | – | 3.9 | – | 3.9 | μS | |

* -40°C ≤ TCASE ≤ 85°C is for 09I, 09J, 11I and 11J grade parts only. 95°C < TCASE ≤ 105°C is available for 09J and 11J grade parts only.



AC Timing and Operating Condition for -09/09I/09J/-11/11I/11J speed grades, continued

| SYMBOL | SPEED GRADE | DDR3L-2133 (-09/09I/09J) | | DDR3L-1866 (-11/11I/11J) | | UNITS | NOTES |
|------------------------------|--|--|-----------|-----------------------------|-----------|----------|--------|
| | PARAMETER | MIN. | MAX. | MIN. | MAX. | | |
| Power Down Timing | | | | | | | |
| tXP | Exit Power Down with DLL on to any valid command; Exit Precharge Power Down with DLL frozen to commands not requiring a locked DLL | max(3nCK, 6nS) | - | max(3nCK, 6nS) | - | | 34 |
| tXPDLL | Exit Precharge Power Down with DLL frozen to commands requiring a locked DLL | max(10nCK, 24nS) | - | max(10nCK, 24nS) | - | | 35 |
| tCKE | CKE minimum pulse width | max(3nCK, 5nS) | - | max(3nCK, 5nS) | - | | |
| tCPDED | Command pass disable delay | 2 | - | 2 | - | nCK | |
| tPD | Power Down Entry to Exit Timing | tCKE(min) | 9 * tREFI | tCKE(min) | 9 * tREFI | | 25 |
| tACTPDEN | Timing of ACT command to Power Down entry | 2 | - | 1 | - | nCK | 27 |
| tPRPDEN | Timing of PRE or PREA command to Power Down entry | 2 | - | 1 | - | nCK | 27 |
| tRDPDEN | Timing of RD/RDA command to Power Down entry | RL + 4 + 1 | - | RL + 4 + 1 | - | nCK | |
| tWRPDEN | Timing of WR command to Power Down entry (BL8OTF, BL8MRS, BC4OTF) | Min.: WL + 4 + roundup (tWR(min)/ tCK(avg)) Max.: - | | | | nCK | 20 |
| tWRAPDEN | Timing of WRA command to Power Down entry (BL8OTF, BL8MRS, BC4OTF) | Min.: WL + 4 + WR + 1 Max.: - | | | | nCK | 19 |
| tWRPDEN | Timing of WR command to Power Down entry (BC4MRS) | Min.: WL + 2 + roundup (tWR(min)/ tCK(avg)) Max.: - | | | | nCK | 20 |
| tWRAPDEN | Timing of WRA command to Power Down entry (BC4MRS) | Min.: WL + 2 + WR + 1 Max.: - | | | | nCK | 19 |
| tREFPDEN | Timing of REF command to Power Down entry | 2 | - | 1 | - | nCK | 27, 28 |
| tMRSPDEN | Timing of MRS command to Power Down entry | tMOD(min) | - | tMOD(min) | - | | |
| ODT Timing | | | | | | | |
| ODTH4 | ODT high time without write command or with write command and burst chop 4 | 4 | - | 4 | - | nCK | 30 |
| ODTH8 | ODT high time with Write command and burst length 8 | 6 | - | 6 | - | nCK | 31 |
| tAONPD | Asynchronous RTT turn-on delay (Power Down with DLL frozen) | 2 | 8.5 | 2 | 8.5 | nS | 32 |
| tAOFPD | Asynchronous RTT turn-off delay (Power Down with DLL frozen) | 2 | 8.5 | 2 | 8.5 | nS | 32 |
| tAON | RTT turn-on | -180 | 180 | -195 | 195 | pS | 17, 43 |
| tAOF | Rtt_Nom and Rtt_WR turn-off time from ODTLoff reference | 0.3 | 0.7 | 0.3 | 0.7 | tCK(avg) | 17, 44 |
| tADC | RTT dynamic change skew | 0.3 | 0.7 | 0.3 | 0.7 | tCK(avg) | 17 |
| Write Leveling Timing | | | | | | | |
| tWLMRD | First DQS/DQS# rising edge after write leveling mode is programmed | 40 | - | 40 | - | nCK | 5 |
| tWLDQSEN | DQS/DQS# delay after write leveling mode is programmed | 25 | - | 25 | - | nCK | 5 |
| tWLS | Write leveling setup time from (CK, CK#) zero crossing to rising (DQS, DQS#) zero crossing | 125 | - | 140 | - | pS | |
| tWLH | Write leveling hold time from rising (DQS, DQS#) zero crossing to (CK, CK#) zero crossing | 125 | - | 140 | - | pS | |
| tWLO | Write leveling output delay | 0 | 7.5 | 0 | 7.5 | nS | |
| tWLOE | Write leveling output error | 0 | 2 | 0 | 2 | nS | |



10.16.2 AC Timing and Operating Condition for -12/12/12J/-15/15/15J speed grades

| SYMBOL | SPEED GRADE | DDR3L-1600 (-12/12/12J) | | DDR3L-1333 (-15/15/15J) | | UNITS | NOTES |
|---------------------------|--|--|------|-----------------------------|------|----------|------------|
| | PARAMETER | MIN. | MAX. | MIN. | MAX. | | |
| Common Notes | | | | | | | 1, 2, 3, 4 |
| Clock Input Timing | | | | | | | |
| tCK(DLL-off) | Minimum clock cycle time (DLL-off mode) | 8 | – | 8 | – | nS | 45 |
| tCK(avg) | Average Clock Period | See “Speed Bin” on page 134 | | See “Speed Bin” on page 133 | | pS | |
| tCH(avg) | Average CK/CK# high pulse width | 0.47 | 0.53 | 0.47 | 0.53 | tCK(avg) | |
| tCL(avg) | Average CK/CK# low pulse width | 0.47 | 0.53 | 0.47 | 0.53 | tCK(avg) | |
| tCK(abs) | Absolute Clock Period | Min.: tCK(avg)min + tJIT(per)min Max.: tCK(avg)max + tJIT(per)max | | | | pS | 37 |
| tCH(abs) | Absolute CK/CK# high pulse width | 0.43 | – | 0.43 | – | tCK(avg) | 38 |
| tCL(abs) | Absolute CK/CK# low pulse width | 0.43 | – | 0.43 | – | tCK(avg) | 39 |
| tJIT(per) | Clock Period Jitter | -70 | 70 | -80 | 80 | pS | |
| tJIT(per,lck) | Clock Period Jitter during DLL locking period | -60 | 60 | -70 | 70 | pS | |
| tJIT(cc) | Cycle to Cycle Period Jitter | 140 | | 160 | | pS | |
| tJIT(cc,lck) | Cycle to Cycle Period Jitter during DLL locking period | 120 | | 140 | | pS | |
| tJIT(duty) | Clock Duty Cycle Jitter | Already included in tCH(abs) and tCL(abs) | | | | pS | |
| tERR(2per) | Cumulative error across 2 cycles | -103 | 103 | -118 | 118 | pS | |
| tERR(3per) | Cumulative error across 3 cycles | -122 | 122 | -140 | 140 | pS | |
| tERR(4per) | Cumulative error across 4 cycles | -136 | 136 | -155 | 155 | pS | |
| tERR(5per) | Cumulative error across 5 cycles | -147 | 147 | -168 | 168 | pS | |
| tERR(6per) | Cumulative error across 6 cycles | -155 | 155 | -177 | 177 | pS | |
| tERR(7per) | Cumulative error across 7 cycles | -163 | 163 | -186 | 186 | pS | |
| tERR(8per) | Cumulative error across 8 cycles | -169 | 169 | -193 | 193 | pS | |
| tERR(9per) | Cumulative error across 9 cycles | -175 | 175 | -200 | 200 | pS | |
| tERR(10per) | Cumulative error across 10 cycles | -180 | 180 | -205 | 205 | pS | |
| tERR(11per) | Cumulative error across 11 cycles | -184 | 184 | -210 | 210 | pS | |
| tERR(12per) | Cumulative error across 12 cycles | -188 | 188 | -215 | 215 | pS | |
| tERR(nper) | Cumulative error across n = 13, 14...49, 50 cycles | Min.: tJIT(per)min * (1 + 0.68 * ln(n)) Max.: tJIT(per)max * (1 + 0.68 * ln(n)) | | | | pS | 7 |



AC Timing and Operating Condition for -12/12I/12J/-15/15I/15J speed grades, continued

| SYMBOL | SPEED GRADE | | DDR3L-1600 (-12/12I/12J) | | DDR3L-1333 (-15/15I/15J) | | UNITS | NOTES |
|-----------------------------------|---|--------------------|-----------------------------|---------|-----------------------------|---------|----------|------------|
| | PARAMETER | | MIN. | MAX. | MIN. | MAX. | | |
| Data Timing | | | | | | | | |
| tDQSQ | DQS, DQS# to DQ skew, per group, per access | | - | 100 | - | 125 | pS | 23 |
| tQH | DQ output hold time from DQS, DQS# | | 0.38 | - | 0.38 | - | tCK(avg) | 18, 23 |
| tLZ(DQ) | DQ low impedance time from CK, CK# | | -450 | 225 | -500 | 250 | pS | 17, 23, 24 |
| tHZ(DQ) | DQ high impedance time from CK, CK# | | - | 225 | - | 250 | pS | 17, 23, 24 |
| tDS(AC135) | Data setup time to DQS, DQS# | Base specification | 25 | - | 45 | - | pS | 11, 40 |
| | | VREF @ 1 V/nS | 160 | - | 180 | - | | 11, 40, 42 |
| tDH(DC90) | Data hold time from DQS, DQS# | Base specification | 55 | - | 75 | - | pS | 11, 40 |
| | | VREF @ 1 V/nS | 145 | - | 165 | - | | 11, 40, 42 |
| tDIPW | DQ and DM input pulse width for each input | | 360 | - | 400 | - | pS | 10 |
| Data Strobe Timing | | | | | | | | |
| tRPRE | DQS,DQS# differential READ Preamble | | 0.9 | Note 21 | 0.9 | Note 21 | tCK(avg) | 18, 21, 23 |
| tRPST | DQS,DQS# differential READ Postamble | | 0.3 | Note 22 | 0.3 | Note 22 | tCK(avg) | 18, 22, 23 |
| tQSH | DQS,DQS# differential output high time | | 0.4 | - | 0.4 | - | tCK(avg) | 18, 23 |
| tQSL | DQS,DQS# differential output low time | | 0.4 | - | 0.4 | - | tCK(avg) | 18, 23 |
| tWPRE | DQS,DQS# differential WRITE Preamble | | 0.9 | - | 0.9 | - | tCK(avg) | 46 |
| tWPST | DQS,DQS# differential WRITE Postamble | | 0.3 | - | 0.3 | - | tCK(avg) | 46 |
| tDQSCK | DQS,DQS# rising edge output access time from rising CK, CK# | | -225 | 225 | -255 | 255 | pS | 17, 23 |
| tLZ(DQS) | DQS and DQS# low-impedance time from CK, CK# (Referenced from RL - 1) | | -450 | 225 | -500 | 250 | pS | 17, 23, 24 |
| tHZ(DQS) | DQS and DQS# high-impedance time from CK, CK# (Referenced from RL + BL/2) | | - | 225 | - | 250 | pS | 17, 23, 24 |
| tDQSL | DQS,DQS# differential input low pulse width | | 0.45 | 0.55 | 0.45 | 0.55 | tCK(avg) | 12, 14 |
| tDQSH | DQS,DQS# differential input high pulse width | | 0.45 | 0.55 | 0.45 | 0.55 | tCK(avg) | 13, 14 |
| tDQSS | DQS,DQS# rising edge to CK,CK# rising edge | | -0.27 | 0.27 | -0.25 | 0.25 | tCK(avg) | 16 |
| tDSS | DQS,DQS# falling edge setup time to CK,CK# rising edge | | 0.18 | - | 0.2 | - | tCK(avg) | 15, 16 |
| tDSH | DQS,DQS# falling edge hold time from CK,CK# rising edge | | 0.18 | - | 0.2 | - | tCK(avg) | 15, 16 |
| Command and Address Timing | | | | | | | | |
| tAA | Internal read command to first data | | See "Speed Bin" on page 134 | | See "Speed Bin" on page 133 | | nS | 8 |
| tRCD | ACT to internal read or write delay time | | | | | | nS | 8 |
| tRP | PRE command period | | | | | | nS | 8 |
| tRC | ACT to ACT or REF command period | | | | | | nS | 8 |
| tRAS | ACT to PRE command period | | | | | | nS | 8 |
| tDLLK | DLL locking time | | 512 | - | 512 | - | nCK | |
| tRTP | Internal READ Command to PRECHARGE Command delay | | max(4nCK, 7.5nS) | - | max(4nCK, 7.5nS) | - | | 8 |
| tWTR | Delay from start of internal write transaction to internal read command | | max(4nCK, 7.5nS) | - | max(4nCK, 7.5nS) | - | | 8, 26 |



AC Timing and Operating Condition for -12/12I/12J/-15/15I/15J speed grades, continued

| SYMBOL | SPEED GRADE | | DDR3L-1600 (-12/12I/12J) | | DDR3L-1333 (-15/15I/15J) | | UNITS | NOTES |
|-----------------------------------|---|-----------------------|----------------------------------|------|-----------------------------|------|-------|-----------|
| | PARAMETER | | MIN. | MAX. | MIN. | MAX. | | |
| Command and Address Timing | | | | | | | | |
| tWR | WRITE recovery time | | 15 | - | 15 | - | nS | 8, 26 |
| tMRD | Mode Register Set command cycle time | | 4 | - | 4 | - | nCK | |
| tMOD | Mode Register Set command update delay | | max(12nCK, 15nS) | - | max(12nCK, 15nS) | - | | |
| tCCD | CAS# to CAS# command delay | | 4 | - | 4 | - | nCK | |
| tDAL(min) | Auto precharge write recovery + precharge time | | WR + roundup(tRP(min)/ tCK(avg)) | | | | nCK | 6 |
| tMPRR | Multi-Purpose Register Recovery Time | | 1 | - | 1 | - | nCK | 29 |
| tRRD | ACTIVE to ACTIVE command period for 1KB page size | | max(4nCK, 6nS) | - | max(4nCK, 6nS) | - | | 8 |
| tFAW | Four activate window for 1KB page size | | 30 | - | 30 | - | nS | 8 |
| tIS(AC160) | Command and Address setup time to CK, CK# | Base specification | 60 | - | 80 | - | pS | 9, 41 |
| | | VREF @ 1 V/nS | 220 | - | 240 | - | pS | 9, 41, 42 |
| tIS(AC135) | Command and Address setup time to CK, CK# | Base specification | 185 | - | 205 | - | pS | 9, 41 |
| | | VREF @ 1 V/nS | 320 | - | 340 | - | pS | 9, 41, 42 |
| tIH(DC90) | Command and Address hold time from CK, CK# | Base specification | 130 | - | 150 | - | pS | 9, 41 |
| | | VREF @ 1 V/nS | 220 | - | 240 | - | pS | 9, 41, 42 |
| tIPW | Control, address and control input pulse width for each input | | 560 | - | 620 | - | pS | 10 |
| Calibration Timing | | | | | | | | |
| tZQinit | Power-up and RESET calibration time | | max(512nCK, 640nS) | - | max(512nCK, 640nS) | - | | |
| tZQoper | Normal operation Full calibration time | | max(256nCK, 320nS) | - | max(256nCK, 320nS) | - | | |
| tZQCS | Normal operation Short calibration time | | max(64nCK, 80nS) | - | max(64nCK, 80nS) | - | | 33 |
| Reset Timing | | | | | | | | |
| tXPR | Exit Reset from CKE HIGH to a valid command | | max(5nCK, 270nS) | - | max(5nCK, 270nS) | - | | |
| Self Refresh Timing | | | | | | | | |
| tXS | Exit Self Refresh to commands not requiring a locked DLL | | max(5nCK, 270nS) | - | max(5nCK, 270nS) | - | | 34 |
| tXSDLL | Exit Self Refresh to commands requiring a locked DLL | | tDLLK(min) | - | tDLLK(min) | - | nCK | 35 |
| tCKESR | Minimum CKE low width for Self Refresh entry to exit timing | | tCKE(min) + 1nCK | - | tCKE(min) + 1nCK | - | | |
| tCKSRE | Valid Clock Requirement after Self Refresh Entry (SRE) | | max(5 nCK, 10nS) | - | max(5 nCK, 10nS) | - | | |
| tCKSRX | Valid Clock Requirement before Self Refresh Exit (SRX) | | max(5 nCK, 10nS) | - | max(5 nCK, 10nS) | - | | |
| Refresh Timing | | | | | | | | |
| tRFC | REF command to ACT or REF command time | | 260 | - | 260 | - | nS | 36 |
| tREFI | Average periodic refresh Interval | -40°C ≤ TCASE ≤ 85°C* | - | 7.8 | - | 7.8 | μS | |
| | | 0°C ≤ TCASE ≤ 85°C | - | 7.8 | - | 7.8 | μS | |
| | | 85°C < TCASE ≤ 95°C | - | 3.9 | - | 3.9 | μS | |
| | | 95°C < TCASE ≤ 105°C* | - | 3.9 | - | 3.9 | μS | |

* -40°C ≤ TCASE ≤ 85°C is for 12I, 12J, 15I and 15J grade parts only. 95°C ≤ TCASE ≤ 105°C is for 12J and 15J grade parts only.



AC Timing and Operating Condition for -12/12/12J/-15/15/15J speed grades, continued

| SYMBOL | SPEED GRADE | DDR3L-1600 (-12/12/12J) | | DDR3L-1333 (-15/15/15J) | | UNITS | NOTES |
|------------------------------|--|--|-----------|----------------------------|-----------|----------|--------|
| | | MIN. | MAX. | MIN. | MAX. | | |
| Power Down Timing | | | | | | | |
| tXP | Exit Power Down with DLL on to any valid command; Exit Precharge Power Down with DLL frozen to commands not requiring a locked DLL | max(3nCK, 6nS) | - | max(3nCK, 6nS) | - | | 34 |
| tXPDLL | Exit Precharge Power Down with DLL frozen to commands requiring a locked DLL | max(10nCK, 24nS) | - | max(10nCK, 24nS) | - | | 35 |
| tCKE | CKE minimum pulse width | max(3nCK, 5nS) | - | max(3nCK, 5.625nS) | - | | |
| tCPDED | Command pass disable delay | 1 | - | 1 | - | nCK | |
| tPD | Power Down Entry to Exit Timing | tCKE(min) | 9 * tREFI | tCKE(min) | 9 * tREFI | | 25 |
| tACTPDEN | Timing of ACT command to Power Down entry | 1 | - | 1 | - | nCK | 27 |
| tPRPDEN | Timing of PRE or PREA command to Power Down entry | 1 | - | 1 | - | nCK | 27 |
| tRDPDEN | Timing of RD/RDA command to Power Down entry | RL + 4 + 1 | - | RL + 4 + 1 | - | nCK | |
| tWRPDEN | Timing of WR command to Power Down entry (BL8OTF, BL8MRS, BC4OTF) | Min.: WL + 4 + roundup (tWR(min)/ tCK(avg)) Max.: - | | | | nCK | 20 |
| tWRAPDEN | Timing of WRA command to Power Down entry (BL8OTF, BL8MRS, BC4OTF) | Min.: WL + 4 + WR + 1 Max.: - | | | | nCK | 19 |
| tWRPDEN | Timing of WR command to Power Down entry (BC4MRS) | Min.: WL + 2 + roundup (tWR(min)/ tCK(avg)) Max.: - | | | | nCK | 20 |
| tWRAPDEN | Timing of WRA command to Power Down entry (BC4MRS) | Min.: WL + 2 + WR + 1 Max.: - | | | | nCK | 19 |
| tREFPDEN | Timing of REF command to Power Down entry | 1 | - | 1 | - | nCK | 27, 28 |
| tMRSPDEN | Timing of MRS command to Power Down entry | tMOD(min) | - | tMOD(min) | - | | |
| ODT Timing | | | | | | | |
| ODTH4 | ODT high time without write command or with write command and burst chop 4 | 4 | - | 4 | - | nCK | 30 |
| ODTH8 | ODT high time with Write command and burst length 8 | 6 | - | 6 | - | nCK | 31 |
| tAONPD | Asynchronous RTT turn-on delay (Power Down with DLL frozen) | 2 | 8.5 | 2 | 8.5 | nS | 32 |
| tAOFPD | Asynchronous RTT turn-off delay (Power Down with DLL frozen) | 2 | 8.5 | 2 | 8.5 | nS | 32 |
| tAON | RTT turn-on | -225 | 225 | -250 | 250 | pS | 17, 43 |
| tAOF | Rtt_Nom and Rtt_WR turn-off time from ODTLoff reference | 0.3 | 0.7 | 0.3 | 0.7 | tCK(avg) | 17, 44 |
| tADC | RTT dynamic change skew | 0.3 | 0.7 | 0.3 | 0.7 | tCK(avg) | 17 |
| Write Leveling Timing | | | | | | | |
| tWLMRD | First DQS/DQS# rising edge after write leveling mode is programmed | 40 | - | 40 | - | nCK | 5 |
| tWLDQSEN | DQS/DQS# delay after write leveling mode is programmed | 25 | - | 25 | - | nCK | 5 |
| tWLS | Write leveling setup time from (CK, CK#) zero crossing to rising (DQS, DQS#) zero crossing | 165 | - | 195 | - | pS | |
| tWLH | Write leveling hold time from rising (DQS, DQS#) zero crossing to (CK, CK#) zero crossing | 165 | - | 195 | - | pS | |
| tWLO | Write leveling output delay | 0 | 7.5 | 0 | 9 | nS | |
| tWLOE | Write leveling output error | 0 | 2 | 0 | 2 | nS | |



10.16.3 Timing Parameter Notes

1. Unit 'tCK(avg)' represents the actual tCK(avg) of the input clock under operation. Unit 'nCK' represents one clock cycle of the input clock, counting the actual clock edges.
For example, tMRD = 4 [nCK] means; if one Mode Register Set command is registered at T_m, another Mode Register Set command may be registered at T_m+4, even if (T_m+4 - T_m) is 4 x tCK(avg) + tERR(4per),min (which is smaller than 4 x tCK(avg)).
2. Timing that is not specified is illegal and after such an event, in order to provide proper operation, the DRAM must be resetted or powered down and then restarted through the specified initialization sequence before normal operation can continue.
3. The CK/CK# input reference level (for timing reference to CK / CK#) is the point at which CK and CK# cross.
The DQS/DQS# input reference level is the point at which DQS and DQS# cross;
The input reference level for signals other than CK/CK#, DQS/DQS# and RESET# is VREFCA and VREFDQ respectively.
4. Inputs are not recognized as valid until VREFCA stabilizes within specified limits.
5. The max values are system dependent.
6. tCK(avg) refers to the actual application clock period. WR refers to the WR parameter stored in mode register MR0.
7. n = from 13 cycles to 50 cycles. This row defines 38 parameters.
8. For these parameters, the DDR3L SDRAM device supports t_nPARAM [nCK] = RU{ tPARAM [nS] / tCK(avg) [nS] }, which is in clock cycles, assuming all input clock jitter specifications are satisfied.
For example, the device will support t_nRP = RU{tRP / tCK(avg)}, which is in clock cycles, if all input clock jitter specifications are met. This means: For DDR3L-1333 (9-9-9), of which tRP = 13.5nS, the device will support t_nRP = RU{tRP / tCK(avg)} = 9, as long as the input clock jitter specifications are met, i.e. Precharge command at T_m and Active command at T_m+9 is valid even if (T_m+9 - T_m) is less than 13.5nS due to input clock jitter.
9. These parameters are measured from a command/address signal (CKE, CS#, RAS#, CAS#, WE#, ODT, BA0, A0, A1, etc.) transition edge to its respective clock signal (CK/CK#) crossing. The spec values are not affected by the amount of clock jitter applied (i.e. tJIT(per), tJIT(cc), etc.), as the setup and hold are relative to the clock signal crossing that latches the command/address. That is, these parameters should be met whether clock jitter is present or not.
10. Pulse width of a input signal is defined as the width between the first crossing of VREF(DC) and the consecutive crossing of VREF(DC).
11. These parameters are measured from a data signal (DM, DQ0, DQ1, etc.) transition edge to its respective data strobe signal (DQS, DQS#) crossing.
12. tDQSL describes the instantaneous differential input low pulse width on DQS - DQS#, as measured from one falling edge to the next consecutive rising edge.
13. tDQSH describes the instantaneous differential input high pulse width on DQS - DQS#, as measured from one rising edge to the next consecutive falling edge.
14. tDQSH,act + tDQSL,act = 1 tCK,act ; with tXYZ,act being the actual measured value of the respective timing parameter in the application.
15. tDSH,act + tDSS,act = 1 tCK,act ; with tXYZ,act being the actual measured value of the respective timing parameter in the application.
16. These parameters are measured from a data strobe signal (DQS, DQS#) crossing to its respective clock signal (CK, CK#) crossing. The spec values are not affected by the amount of clock jitter applied (i.e. tJIT(per), tJIT(cc), etc.), as these are relative to the clock signal crossing. That is, these parameters should be met whether clock jitter is present or not.



17. When the device is operated with input clock jitter, this parameter needs to be derated by the actual $t_{ERR(mper),act}$ of the input clock, where $2 \leq m \leq 12$. (output deratings are relative to the actual SDRAM input clock.)
- For example, if the measured jitter into a DDR3L-1333 SDRAM has $t_{ERR(mper),act,min} = -138$ pS and $t_{ERR(mper),act,max} = +155$ pS, then
- $$t_{DQCK,min}(derated) = t_{DQCK,min} - t_{ERR(mper),act,max} = -255 \text{ pS} - 155 \text{ pS} = -410 \text{ pS}$$
- $$t_{DQCK,max}(derated) = t_{DQCK,max} - t_{ERR(mper),act,min} = 255 \text{ pS} + 138 \text{ pS} = +393 \text{ pS}$$
- Similarly, $t_{LZ(DQ)}$ for DDR3L-1333 derates to $t_{LZ(DQ),min}(derated) = -500 \text{ pS} - 155 \text{ pS} = -655 \text{ pS}$ and $t_{LZ(DQ),max}(derated) = 250 \text{ pS} + 138 \text{ pS} = +388 \text{ pS}$. (Caution on the min/max usage!)
- Note that $t_{ERR(mper),act,min}$ is the minimum measured value of $t_{ERR(nper)}$ where $2 \leq n \leq 12$, and $t_{ERR(mper),act,max}$ is the maximum measured value of $t_{ERR(nper)}$ where $2 \leq n \leq 12$.
18. When the device is operated with input clock jitter, this parameter needs to be derated by the actual $t_{JIT(per),act}$ of the input clock. (output deratings are relative to the SDRAM input clock.)
- For example, if the measured jitter into a DDR3L-1333 SDRAM has $t_{CK(avg),act} = 1500$ pS, $t_{JIT(per),act,min} = -58$ pS and $t_{JIT(per),act,max} = +74$ pS, then
- $$t_{RPRE,min}(derated) = t_{RPRE,min} + t_{JIT(per),act,min} = 0.9 \times t_{CK(avg),act} + t_{JIT(per),act,min} = 0.9 \times 1500 \text{ pS} - 58 \text{ pS} = +1292 \text{ pS}$$
- Similarly, $t_{QH,min}(derated) = t_{QH,min} + t_{JIT(per),act,min} = 0.38 \times t_{CK(avg),act} + t_{JIT(per),act,min} = 0.38 \times 1500 \text{ pS} - 58 \text{ pS} = +512 \text{ pS}$. (Caution on the min/max usage!).
19. WR in clock cycles as programmed in mode register MR0.
20. $t_{WR(min)}$ is defined in nS, for calculation of t_{WRPDEN} it is necessary to round up $t_{WR(min)}/t_{CK(avg)}$ to the next integer value.
21. The maximum read preamble is bound by $t_{LZ(DQS)min}$ on the left side and $t_{DQCK(max)}$ on the right side. See Figure 24 - **“READ Timing; Clock to Data Strobe relationship”** on page 45.
22. The maximum read postamble is bound by $t_{DQCK(min)}$ plus $t_{QSH(min)}$ on the left side and $t_{HZ(DQS)max}$ on the right side. See Figure 24 - **“READ Timing; Clock to Data Strobe relationship”** on page 45.
23. Value is only valid for RON34.
24. Single ended signal parameter.
25. t_{REFI} depends on T_{OPER} .
26. Start of internal write transaction is defined as follows:
- For BL8 (fixed by MRS and on- the-fly): Rising clock edge 4 clock cycles after WL.
 - For BC4 (on- the- fly): Rising clock edge 4 clock cycles after WL.
 - For BC4 (fixed by MRS): Rising clock edge 2 clock cycles after WL.
27. t_{CKE} is allowed to be registered low while operations such as row activation, precharge, auto-precharge or refresh are in progress, but power down IDD spec will not be applied until finishing those operations.
28. Although t_{CKE} is allowed to be registered LOW after a REFRESH command once $t_{REFPDEN(min)}$ is satisfied, there are cases where additional time such as $t_{XPDLL(min)}$ is also required. See section 8.17.3 **“Power-Down clarifications - Case 2”** on page 75.
29. Defined between end of MPR read burst and MRS which reloads MPR or disables MPR function.
30. t_{ODTH4} is measured from ODT first registered high (without a Write command) to ODT first registered low, or from ODT registered high together with a Write command with burst length 4 to ODT registered low.
31. t_{ODTH8} is measured from ODT registered high together with a Write command with burst length 8 to ODT registered low.
32. This parameter applies upon entry and during precharge power down mode with DLL frozen.



33. One ZQCS command can effectively correct a minimum of 0.5 % (ZQ Correction) of RON and RTT impedance error within 64 nCK for all speed bins assuming the maximum sensitivities specified in the 'Output Driver Voltage and Temperature Sensitivity' and 'ODT Voltage and Temperature Sensitivity' tables. The appropriate interval between ZQCS commands can be determined from these tables and other application-specific parameters.

One method for calculating the interval between ZQCS commands, given the temperature (Tdriftrate) and voltage (Vdriftrate) drift rates that the SDRAM is subject to in the application, is illustrated. The interval could be defined by the following formula:

$$\frac{ZQCorrection}{(TSens \times Tdriftrate) + (VSens \times Vdriftrate)}$$

where TSens = max(dRTTdT, dRONdTM) and VSens = max(dRTTdV, dRONdVM) define the SDRAM temperature and voltage sensitivities.

For example, if TSens = 1.5% / °C, VSens = 0.15% / mV, Tdriftrate = 1 °C / sec and Vdriftrate = 15 mV/sec, then the interval between ZQCS commands is calculated as:

$$\frac{0.5}{(1.5 \times 1) + (0.15 \times 15)} = 0.133 \approx 128\text{mS}$$

34. Commands not requiring a locked DLL are all commands except Read, Read with Auto-Precharge and Synchronous ODT.
35. Commands requiring a locked DLL are Read, Read with Auto-Precharge and Synchronous ODT.
36. A maximum of one regular plus eight posted refresh commands can be issued to any given DDR3L SDRAM device meaning that the maximum absolute interval between any refresh command and the next refresh command is 9 x tREFI.
37. Parameter tCK(avg) is specified per its average value. However, it is understood that the relationship between the average timing tCK(avg) and the respective absolute instantaneous timing tCK(abs) holds all times.
38. tCH(abs) is the absolute instantaneous clock high pulse width, as measured from one rising edge to the following falling edge.
39. tCL(abs) is the absolute instantaneous clock low pulse width, as measured from one falling edge to the following rising edge.
40. tDS(base) and tDH(base) values are for a single-ended 1V/nS slew rate DQs (DQs are at 2V/nS for DDR3L-1866 and DDR3L-2133) and 2V/nS DQS, DQS# differential slew rate. Note for DQ and DM signals, VREF(DC) = VREFDQ(DC). For input only pins except RESET#, VREF(DC) = VREFCA(DC). See section 10.16.5 "Data Setup, Hold and Slew Rate Derating" on page 156.
41. tIS(base) and tIH(base) values are for 1V/nS CMD/ADD single-ended slew rate and 2V/nS CK, CK# differential slew rate. Note for DQ and DM signals, VREF(DC) = VREFDQ(DC). For input only pins except RESET#, VREF(DC) = VREFCA(DC). See section 10.16.4 "Address / Command Setup, Hold and Derating" on page 149.
42. The setup and hold times are listed converting the base specification values (to which derating tables apply) to VREF when the slew rate is 1 V/nS (DQs are at 2V/nS for DDR3L-1866 and DDR3L-2133). These values, with a slew rate of 1 V/nS (DQs are at 2V/nS for DDR3L-1866 and DDR3L-2133), are for reference only.
43. For definition of RTT turn-on time tAON See 8.19.2.2 "Timing Parameters" on page 80.
44. For definition of RTT turn-off time tAOF See 8.19.2.2 "Timing Parameters" on page 80.
45. There is no maximum cycle time limit besides the need to satisfy the refresh interval, tREFI.
46. Actual value dependent upon measurement level definitions See Figure 41 - "Method for calculating tWPRES transitions and endpoints" on page 58 and See Figure 42 - "Method for calculating tWPST transitions and endpoints" on page 58.



10.16.4 Address / Command Setup, Hold and Derating

For all input signals the total t_{IS} (setup time) and t_{IH} (hold time) required is calculated by adding the datasheet $t_{IS(base)}$ and $t_{IH(base)}$ value (see Table 49) to the Δt_{IS} and Δt_{IH} derating value (see Table 50 to Table 52) respectively. Example: t_{IS} (total setup time) = $t_{IS(base)} + \Delta t_{IS}$

Setup (t_{IS}) nominal slew rate for a rising signal is defined as the slew rate between the last crossing of $V_{REF(DC)}$ and the first crossing of $V_{IH(AC)min}$. Setup (t_{IS}) nominal slew rate for a falling signal is defined as the slew rate between the last crossing of $V_{REF(DC)}$ and the first crossing of $V_{IL(AC)max}$. If the actual signal is always earlier than the nominal slew rate line between shaded 'VREF(DC) to AC region', use nominal slew rate for derating value (see Figure 107). If the actual signal is later than the nominal slew rate line anywhere between shaded 'VREF(DC) to AC region', the slew rate of a tangent line to the actual signal from the AC level to DC level is used for derating value (see Figure 109).

Hold (t_{IH}) nominal slew rate for a rising signal is defined as the slew rate between the last crossing of $V_{IL(DC)max}$ and the first crossing of $V_{REF(DC)}$. Hold (t_{IH}) nominal slew rate for a falling signal is defined as the slew rate between the last crossing of $V_{IH(DC)min}$ and the first crossing of $V_{REF(DC)}$. If the actual signal is always later than the nominal slew rate line between shaded 'DC to VREF(DC) region', use nominal slew rate for derating value (see Figure 108). If the actual signal is earlier than the nominal slew rate line anywhere between shaded 'DC to VREF(DC) region', the slew rate of a tangent line to the actual signal from the DC level to $V_{REF(DC)}$ level is used for derating value (see Figure 110).

For a valid transition the input signal has to remain above/below $V_{IH/IL(AC)}$ for some time t_{VAC} (see Table 53).

Although for slow slew rates the total setup time might be negative (i.e. a valid input signal will not have reached $V_{IH/IL(AC)}$ at the time of the rising clock transition, a valid input signal is still required to complete the transition and reach $V_{IH/IL(AC)}$).

For slew rates in between the values listed in the tables, the derating values may obtained by linear interpolation.

These values are typically not subject to production test. They are verified by design and characterization.

Table 49 – ADD/CMD Setup and Hold Base-Values for 1V/nS

| Symbol | Reference | DDR3L-1333 | DDR3L-1600 | DDR3L-1866 | DDR3L-2133 | Unit | Note |
|----------------------|----------------------------|------------|------------|------------|------------|------|------|
| $t_{IS(base)}$ AC160 | $V_{IH/L(AC)} : SR=1 V/nS$ | 80 | 60 | - | - | pS | 1 |
| $t_{IS(base)}$ AC135 | $V_{IH/L(AC)} : SR=1 V/nS$ | 205 | 185 | 65 | 60 | pS | 1, 2 |
| $t_{IS(base)}$ AC125 | $V_{IH/L(AC)} : SR=1 V/nS$ | - | - | 150 | 135 | pS | 1, 3 |
| $t_{IH(base)}$ DC90 | $V_{IH/L(DC)} : SR=1 V/nS$ | 150 | 130 | 110 | 105 | pS | 1 |

Notes:

- (AC/DC referenced for 1V/nS Address/Command slew rate and 2 V/nS differential CK-CK# slew rate)
- The $t_{IS(base)}$ AC135 specifications are adjusted from the $t_{IS(base)}$ AC160 specification by adding an additional 100pS for DDR3L-1333/1600 of derating to accommodate for the lower alternate threshold of 135 mV and another 25 pS to account for the earlier reference point [(160 mV - 135 mV) / 1 V/nS].
- The $t_{IS(base)}$ AC125 specifications are adjusted from the $t_{IS(base)}$ AC135 specification by adding an additional 75 pS for DDR3L-1866 or 65pS for DDR3L-2133 of derating to accommodate for the lower alternate threshold of 125 mV and another 10 pS to account for the earlier reference point [(135 mV - 125 mV) / 1 V/nS].



Table 50 – Derating values DDR3L-1333/1600 tIS/tIH - AC/DC based

| CMD/ ADD Slew rate (V/nS) | Δt_{IS} , Δt_{IH} derating in [pS] AC/DC based | | | | | | | | | | | | | | | |
|---------------------------------------|--|-----------------|-----------------|-----------------|-----------------|-----------------|-----------------|-----------------|-----------------|-----------------|-----------------|-----------------|-----------------|-----------------|-----------------|----|
| | AC160 Threshold -> $V_{IH}(AC)=V_{REF}(DC)+160mV$, $V_{IL}(AC)=V_{REF}(DC)-160mV$ | | | | | | | | | | | | | | | |
| | CK, CK# Differential Slew Rate | | | | | | | | | | | | | | | |
| | 4.0 V/nS | | 3.0 V/nS | | 2.0 V/nS | | 1.8 V/nS | | 1.6 V/nS | | 1.4 V/nS | | 1.2 V/nS | | 1.0 V/nS | |
| Δt_{IS} | Δt_{IH} | Δt_{IS} | Δt_{IH} | Δt_{IS} | Δt_{IH} | Δt_{IS} | Δt_{IH} | Δt_{IS} | Δt_{IH} | Δt_{IS} | Δt_{IH} | Δt_{IS} | Δt_{IH} | Δt_{IS} | Δt_{IH} | |
| 2.0 | 80 | 45 | 80 | 45 | 80 | 45 | 88 | 53 | 96 | 61 | 104 | 69 | 112 | 79 | 120 | 95 |
| 1.5 | 53 | 30 | 53 | 30 | 53 | 30 | 61 | 38 | 69 | 46 | 77 | 54 | 85 | 64 | 93 | 80 |
| 1.0 | 0 | 0 | 0 | 0 | 0 | 0 | 8 | 8 | 16 | 16 | 24 | 24 | 32 | 34 | 40 | 50 |
| 0.9 | -1 | -3 | -1 | -3 | -1 | -3 | 7 | 5 | 15 | 13 | 23 | 21 | 31 | 31 | 39 | 47 |
| 0.8 | -3 | -8 | -3 | -8 | -3 | -8 | 5 | 1 | 13 | 9 | 21 | 17 | 29 | 27 | 37 | 43 |
| 0.7 | -5 | -13 | -5 | -13 | -5 | -13 | 3 | -5 | 11 | 3 | 19 | 11 | 27 | 21 | 35 | 37 |
| 0.6 | -8 | -20 | -8 | -20 | -8 | -20 | 0 | -12 | 8 | -4 | 16 | 4 | 24 | 14 | 32 | 30 |
| 0.5 | -20 | -30 | -20 | -30 | -20 | -30 | -12 | -22 | -4 | -14 | 4 | -6 | 12 | 4 | 20 | 20 |
| 0.4 | -40 | -45 | -40 | -45 | -40 | -45 | -32 | -37 | -24 | -29 | -16 | -21 | -8 | -11 | 0 | 5 |

Table 51 – Derating values DDR3L-1333/1600 tIS/tIH - AC/DC based - Alternate AC135 Threshold

| CMD/ ADD Slew rate (V/nS) | Δt_{IS} , Δt_{IH} derating in [pS] AC/DC based | | | | | | | | | | | | | | | |
|---------------------------------------|--|-----------------|-----------------|-----------------|-----------------|-----------------|-----------------|-----------------|-----------------|-----------------|-----------------|-----------------|-----------------|-----------------|-----------------|----|
| | Alternate AC135 Threshold -> $V_{IH}(AC)=V_{REF}(DC)+135mV$, $V_{IL}(AC)=V_{REF}(DC)-135mV$ | | | | | | | | | | | | | | | |
| | CK, CK# Differential Slew Rate | | | | | | | | | | | | | | | |
| | 4.0 V/nS | | 3.0 V/nS | | 2.0 V/nS | | 1.8 V/nS | | 1.6 V/nS | | 1.4 V/nS | | 1.2 V/nS | | 1.0 V/nS | |
| Δt_{IS} | Δt_{IH} | Δt_{IS} | Δt_{IH} | Δt_{IS} | Δt_{IH} | Δt_{IS} | Δt_{IH} | Δt_{IS} | Δt_{IH} | Δt_{IS} | Δt_{IH} | Δt_{IS} | Δt_{IH} | Δt_{IS} | Δt_{IH} | |
| 2.0 | 68 | 45 | 68 | 45 | 68 | 45 | 76 | 53 | 84 | 61 | 92 | 69 | 100 | 79 | 108 | 95 |
| 1.5 | 45 | 30 | 45 | 30 | 45 | 30 | 53 | 38 | 61 | 46 | 69 | 54 | 77 | 64 | 85 | 80 |
| 1.0 | 0 | 0 | 0 | 0 | 0 | 0 | 8 | 8 | 16 | 16 | 24 | 24 | 32 | 34 | 40 | 50 |
| 0.9 | 2 | -3 | 2 | -3 | 2 | -3 | 10 | 5 | 18 | 13 | 26 | 21 | 34 | 31 | 42 | 47 |
| 0.8 | 3 | -8 | 3 | -8 | 3 | -8 | 11 | 1 | 19 | 9 | 27 | 17 | 35 | 27 | 43 | 43 |
| 0.7 | 6 | -13 | 6 | -13 | 6 | -13 | 14 | -5 | 22 | 3 | 30 | 11 | 38 | 21 | 46 | 37 |
| 0.6 | 9 | -20 | 9 | -20 | 9 | -20 | 17 | -12 | 25 | -4 | 33 | 4 | 41 | 14 | 49 | 30 |
| 0.5 | 5 | -30 | 5 | -30 | 5 | -30 | 13 | -22 | 21 | -14 | 29 | -6 | 37 | 4 | 45 | 20 |
| 0.4 | -3 | -45 | -3 | -45 | -3 | -45 | 6 | -37 | 14 | -29 | 22 | -21 | 30 | -11 | 38 | 5 |



Table 52 – Derating values DDR3L-1866/2133 tIS/tIH - AC/DC based Alternate AC125 Threshold

| CMD/ ADD Slew rate (V/nS) | ΔtIS, ΔtIH derating in [pS] AC/DC based Alternate AC125 Threshold -> VIH(AC)=VREF(DC)+125mV, VIL(AC)=VREF(DC)-125mV | | | | | | | | | | | | | | | |
|---------------------------------------|--|------|----------|------|----------|------|----------|------|----------|------|----------|------|----------|------|----------|------|
| | CK, CK# Differential Slew Rate | | | | | | | | | | | | | | | |
| | 4.0 V/nS | | 3.0 V/nS | | 2.0 V/nS | | 1.8 V/nS | | 1.6 V/nS | | 1.4 V/nS | | 1.2 V/nS | | 1.0 V/nS | |
| | ΔtIS | ΔtIH | ΔtIS | ΔtIH | ΔtIS | ΔtIH | ΔtIS | ΔtIH | ΔtIS | ΔtIH | ΔtIS | ΔtIH | ΔtIS | ΔtIH | ΔtIS | ΔtIH |
| 2.0 | 63 | 45 | 63 | 45 | 63 | 45 | 71 | 53 | 79 | 61 | 87 | 69 | 95 | 79 | 103 | 95 |
| 1.5 | 42 | 30 | 42 | 30 | 42 | 30 | 50 | 38 | 58 | 46 | 66 | 54 | 74 | 64 | 82 | 80 |
| 1.0 | 0 | 0 | 0 | 0 | 0 | 0 | 8 | 8 | 16 | 16 | 24 | 24 | 32 | 34 | 40 | 50 |
| 0.9 | 3 | -3 | 3 | -3 | 3 | -3 | 11 | 5 | 19 | 13 | 27 | 21 | 35 | 31 | 43 | 47 |
| 0.8 | 6 | -8 | 6 | -8 | 6 | -8 | 14 | 1 | 22 | 9 | 30 | 17 | 38 | 27 | 46 | 43 |
| 0.7 | 10 | -13 | 10 | -13 | 10 | -13 | 18 | -5 | 26 | 3 | 34 | 11 | 42 | 21 | 50 | 37 |
| 0.6 | 16 | -20 | 16 | -20 | 16 | -20 | 24 | -12 | 32 | 4 | 40 | -4 | 48 | 14 | 56 | 30 |
| 0.5 | 15 | -30 | 15 | -30 | 15 | -30 | 23 | -22 | 31 | -14 | 39 | -6 | 47 | 4 | 55 | 20 |
| 0.4 | 13 | -45 | 13 | -45 | 13 | -45 | 21 | -37 | 29 | -29 | 37 | -21 | 45 | -11 | 53 | 5 |

Table 53 – Required time tvAC above VIH(AC) {below VIL(AC)} for valid ADD/CMD transition

| Slew Rate [V/nS] | DDR3L-1333/1600 | | | | DDR3L-1866/2133 | | | |
|---------------------|-------------------|------|-------------------|------|-------------------|------|-------------------|------|
| | tvAC @ 160mV [pS] | | tvAC @ 135mV [pS] | | tvAC @ 135mV [pS] | | tvAC @ 125mV [pS] | |
| | Min. | Max. | Min. | Max. | Min. | Max. | Min. | Max. |
| > 2.0 | 200 | - | 213 | - | 200 | - | 205 | - |
| 2.0 | 200 | - | 213 | - | 200 | - | 205 | - |
| 1.5 | 173 | - | 190 | - | 178 | - | 184 | - |
| 1.0 | 120 | - | 145 | - | 133 | - | 143 | - |
| 0.9 | 102 | - | 130 | - | 118 | - | 129 | - |
| 0.8 | 80 | - | 111 | - | 99 | - | 111 | - |
| 0.7 | 51 | - | 87 | - | 75 | - | 89 | - |
| 0.6 | 13 | - | 55 | - | 43 | - | 59 | - |
| 0.5 | Note | - | 10 | - | Note | - | 18 | - |
| < 0.5 | Note | - | 10 | - | Note | - | 18 | - |

Note: Rising input signal shall become equal to or greater than VIH(AC) level and Falling input signal shall become equal to or less than VIL(AC) level.



Figure 107 – Illustration of nominal slew rate and tvAC for setup time tDS (for DQ with respect to strobe) and tIS (for ADD/CMD with respect to clock)



Figure 108 – Illustration of nominal slew rate for hold time tDH (for DQ with respect to strobe) and tIH (for ADD/CMD with respect to clock)



Figure 109 – Illustration of tangent line for setup time t_{DS} (for DQ with respect to strobe) and t_{IS} (for ADD/CMD with respect to clock)



Figure 110 – Illustration of tangent line for hold time tDH (for DQ with respect to strobe) and tIH (for ADD/CMD with respect to clock)



10.16.5 Data Setup, Hold and Slew Rate Derating

For all input signals the total tDS (setup time) and tDH (hold time) required is calculated by adding the data sheet tDS(base) and tDH(base) value (see Table 54) to the Δt_{DS} and Δt_{DH} (see Table 55 and Table 56) derating value respectively. Example: tDS (total setup time) = tDS(base) + Δt_{DS} .

Setup (tDS) nominal slew rate for a rising signal is defined as the slew rate between the last crossing of VREF(DC) and the first crossing of VIH(AC)min. Setup (tDS) nominal slew rate for a falling signal is defined as the slew rate between the last crossing of VREF(DC) and the first crossing of VIL(AC)max (see Figure 107). If the actual signal is always earlier than the nominal slew rate line between shaded 'VREF(DC) to AC region', use nominal slew rate for derating value. If the actual signal is later than the nominal slew rate line anywhere between shaded 'VREF(DC) to AC region', the slew rate of a tangent line to the actual signal from the AC level to DC level is used for derating value (see Figure 109).

Hold (tDH) nominal slew rate for a rising signal is defined as the slew rate between the last crossing of VIL(DC)max and the first crossing of VREF(DC). Hold (tDH) nominal slew rate for a falling signal is defined as the slew rate between the last crossing of VIH(DC)min and the first crossing of VREF(DC) (see Figure 108). If the actual signal is always later than the nominal slew rate line between shaded 'DC level to VREF(DC) region', use nominal slew rate for derating value. If the actual signal is earlier than the nominal slew rate line anywhere between shaded 'DC to VREF(DC) region', the slew rate of a tangent line to the actual signal from the DC level to VREF(DC) level is used for derating value (see Figure 110).

For a valid transition the input signal has to remain above/below VIH/IL(AC) for some time tvAC (see Table 57).

Although for slow slew rates the total setup time might be negative (i.e. a valid input signal will not have reached VIH/IL(AC) at the time of the rising clock transition) a valid input signal is still required to complete the transition and reach VIH/IL(AC).

For slew rates in between the values listed in the tables the derating values may obtained by linear interpolation.

These values are typically not subject to production test. They are verified by design and characterization.

Table 54 – Data Setup and Hold Base-Values

| Symbol | Reference | DDR3L-1333 | DDR3L-1600 | DDR3L-1866 | DDR3L-2133 | Unit | Notes |
|-----------------|--------------------------|------------|------------|------------|------------|------|-------|
| tDS(base) AC135 | VIH/L(AC) : SR=1 V/nS | 45 | 25 | – | - | pS | 1 |
| tDS(base) AC130 | VIH/L(AC) : SR=2 V/nS | – | – | 70 | 55 | pS | 2 |
| tDH(base) DC90 | VIH/L(DC) : SR=1 V/nS | 75 | 55 | – | - | pS | 1 |
| tDH(base) DC90 | VIH/L(DC) : SR=2 V/nS | – | – | 75 | 60 | pS | 2 |

Notes:

1. (AC/DC referenced for 1V/nS DQ-slew rate and 2 V/nS DQS slew rate)
2. (AC/DC referenced for 2V/nS DQ-slew rate and 4 V/nS DQS slew rate).



Table 55 – Derating values for DDR3L-1333/1600 tds/tDH - (AC135)

| DQ Slew rate (V/nS) | ΔtDS, ΔtDH derating in [pS] AC/DC based' Alternate AC135 Threshold -> VIH(AC)=VREF(DC)+135mV, VIL(AC)=VREF(DC)-135mV | | | | | | | | | | | | | | | |
|---------------------|---|------|----------|------|----------|------|----------|------|----------|------|----------|------|----------|------|----------|------|
| | DQS, DQS# Differential Slew Rate | | | | | | | | | | | | | | | |
| | 4.0 V/nS | | 3.0 V/nS | | 2.0 V/nS | | 1.8 V/nS | | 1.6 V/nS | | 1.4 V/nS | | 1.2 V/nS | | 1.0 V/nS | |
| | ΔtDS | ΔtDH | ΔtDS | ΔtDH | ΔtDS | ΔtDH | ΔtDS | ΔtDH | ΔtDS | ΔtDH | ΔtDS | ΔtDH | ΔtDS | ΔtDH | ΔtDS | ΔtDH |
| 2.0 | 68 | 45 | 68 | 45 | 68 | 45 | - | - | - | - | - | - | - | - | - | - |
| 1.5 | 45 | 30 | 45 | 30 | 45 | 30 | 53 | 38 | - | - | - | - | - | - | - | - |
| 1.0 | 0 | 0 | 0 | 0 | 0 | 0 | 8 | 8 | 16 | 16 | - | - | - | - | - | - |
| 0.9 | - | - | 2 | -3 | 2 | -3 | 10 | 5 | 18 | 13 | 26 | 21 | - | - | - | - |
| 0.8 | - | - | - | - | 3 | -8 | 11 | 1 | 19 | 9 | 27 | 17 | 35 | 27 | - | - |
| 0.7 | - | - | - | - | - | - | 14 | -5 | 22 | 3 | 30 | 11 | 38 | 21 | 46 | 37 |
| 0.6 | - | - | - | - | - | - | - | - | 25 | -4 | 33 | 4 | 41 | 14 | 49 | 30 |
| 0.5 | - | - | - | - | - | - | - | - | - | - | 29 | -6 | 37 | 4 | 45 | 20 |
| 0.4 | - | - | - | - | - | - | - | - | - | - | - | - | 30 | -11 | 38 | 5 |

Note: Cell contents '-' are defined as not supported.

Table 56 –Derating values for DDR3L-1866/2133 tds/tDH - (AC130)

| DQ Slew rate (V/nS) | ΔtDS, ΔtDH derating in [pS] AC/DC based' Alternate AC130 Threshold -> VIH(AC)=VREF(DC)+130mV, VIL(AC)=VREF(DC)-130mV | | | | | | | | | | | | | | | | | | | | | | | |
|---------------------|---|------|----------|------|----------|------|----------|------|----------|------|----------|------|----------|------|----------|------|----------|------|----------|------|----------|------|----------|------|
| | DQS, DQS# Differential Slew Rate | | | | | | | | | | | | | | | | | | | | | | | |
| | 8.0 V/nS | | 7.0 V/nS | | 6.0 V/nS | | 5.0 V/nS | | 4.0 V/nS | | 3.0 V/nS | | 2.0 V/nS | | 1.8 V/nS | | 1.6 V/nS | | 1.4 V/nS | | 1.2 V/nS | | 1.0 V/nS | |
| | ΔtDS | ΔtDH | ΔtDS | ΔtDH | ΔtDS | ΔtDH | ΔtDS | ΔtDH | ΔtDS | ΔtDH | ΔtDS | ΔtDH | ΔtDS | ΔtDH | ΔtDS | ΔtDH | ΔtDS | ΔtDH | ΔtDS | ΔtDH | ΔtDS | ΔtDH | ΔtDS | ΔtDH |
| 4.0 | 33 | 23 | 33 | 23 | 33 | 23 | - | - | - | - | - | - | - | - | - | - | - | - | - | - | - | - | - | - |
| 3.5 | 28 | 19 | 28 | 19 | 28 | 19 | 28 | 19 | - | - | - | - | - | - | - | - | - | - | - | - | - | - | - | - |
| 3.0 | 22 | 15 | 22 | 15 | 22 | 15 | 22 | 15 | 22 | 15 | - | - | - | - | - | - | - | - | - | - | - | - | - | - |
| 2.5 | - | - | 13 | 9 | 13 | 9 | 13 | 9 | 13 | 9 | 13 | 9 | - | - | - | - | - | - | - | - | - | - | - | - |
| 2.0 | - | - | - | - | 0 | 0 | 0 | 0 | 0 | 0 | 0 | 0 | 0 | - | - | - | - | - | - | - | - | - | - | - |
| 1.5 | - | - | - | - | - | - | -22 | -15 | -22 | -15 | -22 | -15 | -22 | -15 | -14 | -7 | - | - | - | - | - | - | - | - |
| 1.0 | - | - | - | - | - | - | - | - | -65 | -45 | -65 | -45 | -65 | -45 | -57 | -37 | -49 | -29 | - | - | - | - | - | - |
| 0.9 | - | - | - | - | - | - | - | - | - | - | -62 | -48 | -62 | -48 | -54 | -40 | -46 | -32 | -38 | -24 | - | - | - | - |
| 0.8 | - | - | - | - | - | - | - | - | - | - | - | - | -61 | -53 | -53 | -45 | -45 | -37 | -37 | -29 | -29 | -19 | - | - |
| 0.7 | - | - | - | - | - | - | - | - | - | - | - | - | - | - | -49 | -50 | -41 | -42 | -33 | -34 | -25 | -24 | -17 | -8 |
| 0.6 | - | - | - | - | - | - | - | - | - | - | - | - | - | - | - | -37 | -49 | -29 | -41 | -21 | -31 | -13 | -15 | - |
| 0.5 | - | - | - | - | - | - | - | - | - | - | - | - | - | - | - | - | - | -31 | -51 | -23 | -41 | -15 | -25 | - |
| 0.4 | - | - | - | - | - | - | - | - | - | - | - | - | - | - | - | - | - | - | - | - | -28 | -56 | -20 | -40 |

Note: Cell contents '-' are defined as not supported.

Table 57 – Required time tVAC above VIH(AC) {below VIL(AC)} for valid transition

| Slew Rate [V/nS] | DDR3L-1333/1600 (AC 135) | | DDR3L-1866/2133 (AC 130) | |
|------------------|--------------------------|------|--------------------------|------|
| | tVAC [pS] | | tVAC [pS] | |
| | Min. | Max. | Min. | Max. |
| > 2.0 | 113 | - | 95 | - |
| 2.0 | 113 | - | 95 | - |
| 1.5 | 90 | - | 73 | - |
| 1.0 | 45 | - | 30 | - |
| 0.9 | 30 | - | 16 | - |
| 0.8 | 11 | - | Note | - |
| 0.7 | Note | - | - | - |
| 0.6 | Note | - | - | - |
| 0.5 | Note | - | - | - |
| < 0.5 | Note | - | - | - |

Note: Rising input signal shall become equal to or greater than VIH(AC) level and Falling input signal shall become equal to or less than VIL(AC) level.



11. Backward Compatible to 1.5V DDR3 SDRAM VDD/VDDQ Requirements

11.1 Input/Output Functional

| Symbol | Type | Function |
|--------|--------|--|
| VDD | Supply | Power Supply: DDR3L operation = 1.283V to 1.45V; DDR3 operation = 1.425V to 1.575V |
| VDDQ | Supply | DQ Power Supply: DDR3L operation = 1.283V to 1.45V; DDR3 operation = 1.425V to 1.575V |

11.2 Recommended DC Operating Conditions - DDR3L (1.35V) operation

| Symbol | Parameter/Condition | Min. | Typ. | Max. | Unit | Notes |
|--------|---------------------------|-------|------|------|------|------------|
| VDD | Supply Voltage | 1.283 | 1.35 | 1.45 | V | 1, 2, 3, 4 |
| VDDQ | Supply Voltage for Output | 1.283 | 1.35 | 1.45 | V | 1, 2, 3, 4 |

Notes:

1. Maximum DC value may not be greater than 1.425V. The DC value is the linear average of VDD/VDDQ(t) over a very long period of time (e.g., 1 sec).
2. If maximum limit is exceeded, input levels shall be governed by DDR3 specifications.
3. Under these supply voltages, the device operates to this DDR3L specification.
4. Once initialized for DDR3L operation, DDR3 operation may only be used if the device is in reset while VDD and VDDQ are changed for DDR3 operation (see Figure 111).

11.3 Recommended DC Operating Conditions - DDR3 (1.5V) operation

| Symbol | Parameter/Condition | Min. | Typ. | Max. | Unit | Notes |
|--------|---------------------------|-------|------|-------|------|---------|
| VDD | Supply Voltage | 1.425 | 1.5 | 1.575 | V | 1, 2, 3 |
| VDDQ | Supply Voltage for Output | 1.425 | 1.5 | 1.575 | V | 1, 2, 3 |

Notes:

1. If minimum limit is exceeded, input levels shall be governed by DDR3L specifications.
2. Under 1.5 V operation, this DDR3L device operates to the DDR3 specifications under the same speed timings as defined for this device.
3. Once initialized for DDR3 operation, DDR3L operation may only be used if the device is in reset while VDD and VDDQ are changed for DDR3L operation (see Figure 111).

11.4 VDD/VDDQ Voltage Switch between DDR3L and DDR3

If the SDRAM is powered up and initialized for the 1.35V operating voltage range, voltage can be increased to the 1.5V operating range provided that:

- Just prior to increasing the 1.35V operating voltages, no further commands are issued, other than NOPs or COMMAND INHIBITs, and all banks are in the precharge state.
- The 1.5V operating voltages are stable prior to issuing new commands, other than NOPs or COMMAND INHIBITs.
- The DLL is reset and relocked after the 1.5V operating voltages are stable and prior to any READ command.
- The ZQ calibration is performed. tzQinit must be satisfied after the 1.5V operating voltages are stable and prior to any READ command.



If the SDRAM is powered up and initialized for the 1.5V operating voltage range, voltage can be reduced to the 1.35V operating range provided that:

- Just prior to reducing the 1.5V operating voltages, no further commands are issued, other than NOPs or COMMAND INHIBITS, and all banks are in the precharge state.
- The 1.35V operating voltages are stable prior to issuing new commands, other than NOPs or COMMAND INHIBITS.
- The DLL is reset and relocked after the 1.35V operating voltages are stable and prior to any READ command.
- The ZQ calibration is performed. t_{ZQinit} must be satisfied after the 1.35V operating voltages are stable and prior to any READ command.

After the DDR3L DRAM is powered up and initialized, the power supply can be altered between the DDR3L and DDR3 levels, provided the sequence in Figure 111 is maintained.



Note:

1. From time point “Td” until “Tk” NOP or DES commands must be applied between MRS and ZQCL commands.

Figure 111 –VDD/VDDQ Voltage Switch between DDR3L and DDR3



12. PACKAGE SPECIFICATION

Package Outline VFBGA78 Ball (9x10.5 mm², ball pitch: 0.8mm) – (Window BGA Type)



**13. REVISION HISTORY**

| VERSION | DATE | PAGE | DESCRIPTION |
|---------|---------------|------|----------------------------|
| A01 | Jan. 24, 2018 | All | Initial formally datasheet |

*Please note that all data and specifications are subject to change without notice.
All the trademarks of products and companies mentioned in this datasheet belong to their respective owners.*

*Publication Release Date: Jan. 24, 2018
Revision: A01*