

PLEASE CHECK WWW.MOLEX.COM FOR LATEST PART INFORMATION

Part Number: [0678005022](#)
Status: **Active**
Overview: [serial_ata_products](#)
Description: 1.27mm (.050") Pitch Serial ATA High Speed Header, Vertical, Surface Mount, with Locking Latch, 7 Circuits, 0.76µm (30µ") Gold (Au) Plating, for 2.40mm (.094") PCB, with PCB Locator Pegs, Lead-free

Documents:

[3D Model](#) [RoHS Certificate of Compliance \(PDF\)](#)
[Drawing \(PDF\)](#)

Agency Certification

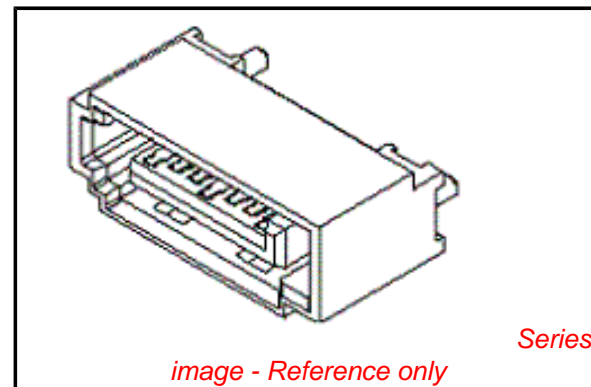
CSA LR 19980
 UL E29179

General

Product Family PCB Headers
 Series [67800](#)
 Application Board-to-Board, Wire-to-Board
 Comments Staggered Solder Pin|Metal Post Length 3.45mm (.136")
 Overview [serial_ata_products](#)
 Product Name Serial ATA

Physical

Breakaway No
 Circuits (Loaded) 7
 Circuits (maximum) 7
 Color - Resin Black
 Durability (mating cycles max) 50
 First Mate / Last Break Yes
 Flammability 94V-0
 Glow-Wire Compliant No
 Guide to Mating Part No
 Keying to Mating Part Yes
 Lock to Mating Part Yes
 Material - Metal Brass
 Material - Plating Mating Gold
 Material - Plating Termination Tin
 Material - Resin High Temperature Thermoplastic
 Number of Rows 1
 Orientation Vertical
 PCB Locator Yes
 PCB Retention Yes
 Packaging Type Tray
 Pitch - Mating Interface (in) 0.050 In
 Pitch - Mating Interface (mm) 1.27 mm
 Pitch - Term. Interface (in) 0.050 In
 Pitch - Term. Interface (mm) 1.27 mm
 Plating min: Mating (µin) 30
 Plating min: Mating (µm) 0.76
 Plating min: Termination (µin) 75
 Plating min: Termination (µm) 1.9
 Polarized to Mating Part Yes
 Polarized to PCB Yes
 Shrouded Fully
 Stackable No



EU RoHS

ELV and RoHS Compliant
REACH SVHC
 Not Reviewed
Halogen-Free Status
Not Reviewed

China RoHS



Need more information on product environmental compliance?

Email productcompliance@molex.com
 For a multiple part number RoHS Certificate of Compliance, [click here](#)

Please visit the [Contact Us](#) section for any non-product compliance questions.

Search Parts in this Series
[67800Series](#)

Temperature Range - Operating -35°C to +85°C
Termination Interface: Style Surface Mount

Electrical

Current - Maximum per Contact 1.5A
Voltage - Maximum 15V DC

Solder Process Data

Lead-free Process Capability Reflow Capable (SMT only)

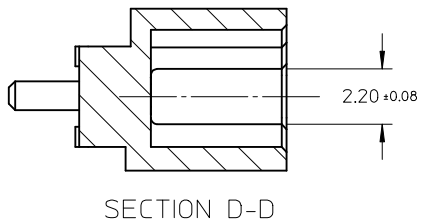
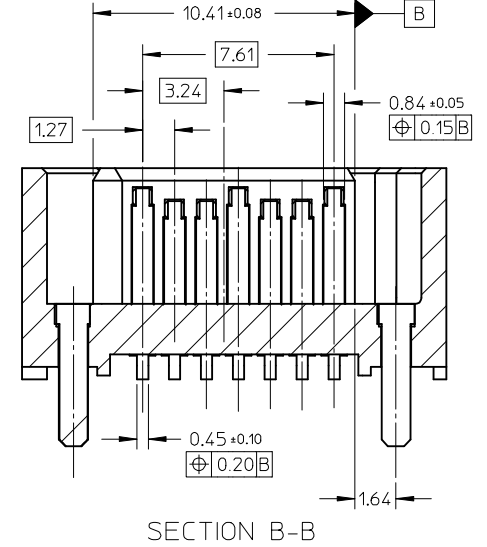
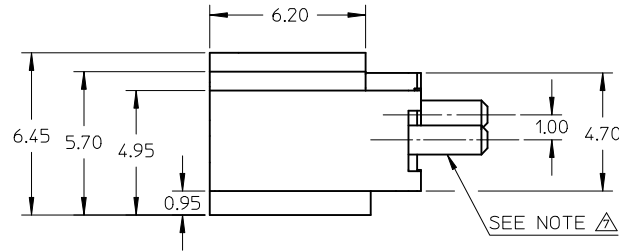
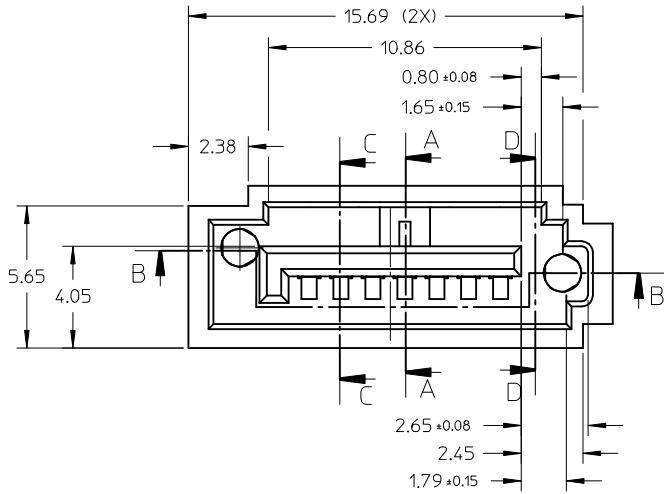
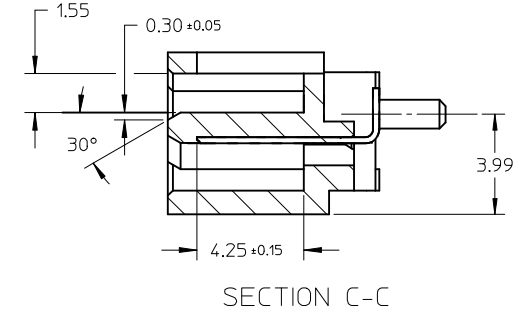
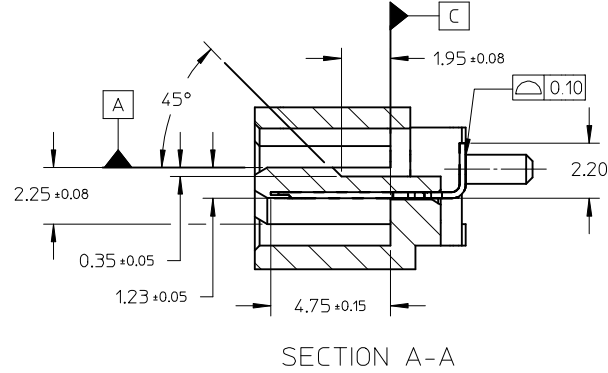
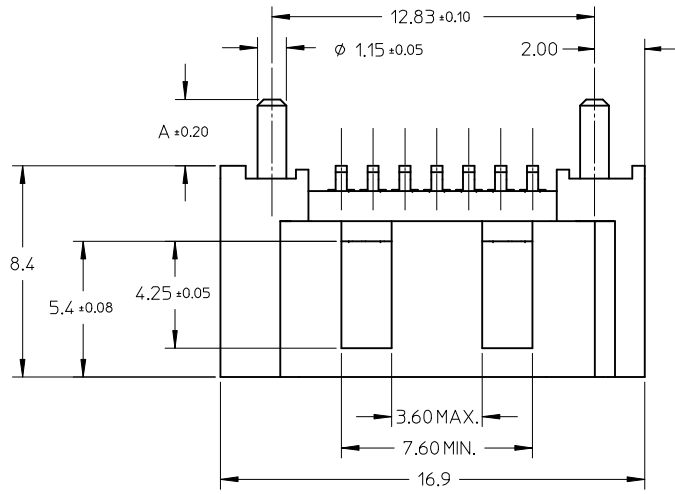
Material Info

Reference - Drawing Numbers

Packaging Specification PK-67800-001
Sales Drawing SD-67800-005

This document was generated on 05/26/2010

PLEASE CHECK WWW.MOLEX.COM FOR LATEST PART INFORMATION



| | | | | | | | | | |
|--|-------------|-----------------|--|--------|-----------------|--------------|---|-----------------------|------------------------|
| REVISED EC NO: SH2010-0043 DRAWING: 2009/08/07 CHKD: XJSONG 2009/08/10 APPR: RZHANG 2009/09/13 | DESCRIPTION | QUALITY SYMBOLS | GENERAL TOLERANCES (UNLESS SPECIFIED) | | DIMENSION STYLE | | SCALE | DESIGN UNITS | THIRD ANGLE PROJECTION |
| | | ▼ = 0 C = 0 | mm | INCH | MM ONLY | 5:1 | METRIC | | |
| | | | 4 PLACES | ± --- | ± --- | DRAWN BY | DATE | TITLE | |
| | | | 3 PLACES | ± --- | ± --- | GRATE MA | 2004/02/02 | HIGH SPEED CONNECTOR | |
| | | | 2 PLACES | ± 0.15 | ± --- | CHECKED BY | DATE | 1.27MM PITCH VERTICAL | |
| | | | 1 PLACE | ± 0.25 | ± --- | YA JUN | 2004/02/02 | SMT SOLDER TAIL | |
| | | | ANGULAR ± 1 ° | | | APPROVED BY | DATE | MOLEX INCORPORATED | |
| | | | DRAFT WHERE APPLICABLE MUST REMAIN WITHIN DIMENSIONS | | | SAM | 2004/02/02 | MOLEX INCORPORATED | |
| | | | | | | MATERIAL NO. | DOCUMENT NO. | SD-67800-005 | |
| | | | | | | SIZE | THIS DRAWING CONTAINS INFORMATION THAT IS PROPRIETARY TO MOLEX INCORPORATED AND SHOULD NOT BE USED WITHOUT WRITTEN PERMISSION | | SHEET NO. |
| | | | | | | A3 | | | 1 OF 2 |

NOTES:

1. MATERIAL:

HOUSING: HIGH TEMPERATURE THERMAL PLASTIC, GLASS FILLED,
UL94V-0, COLOR: REFER TO CHART.

TERMINAL: BRASS

POST: BRASS

2. TERMINAL PLATING:

CONTACT AREA: (a) GOLD FLASH

(b) GOLD, THICKNESS=0.76 MICRON MINIMUM

(c) GOLD, THICKNESS=0.38 MICRON MINIMUM

SOLDER TAIL: TIN, THICKNESS=1.27 MICRON MINIMUM

UNDER PLATE: NICKEL PLATED, THICKNESS=1.27 MICRON MINIMUM

3. POST PLATING: UNDER PLATE: NICKEL, THICKNESS=1.25 MICRON MINIMUM

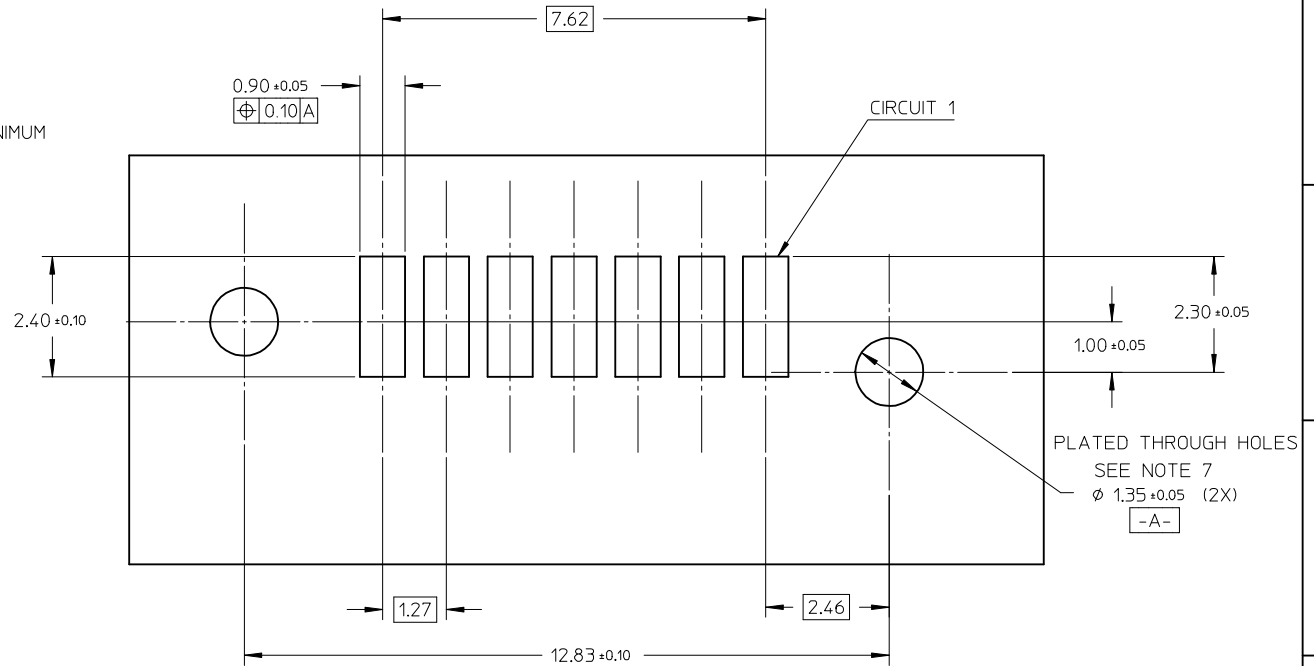
TIN, THICKNESS=1.9 MICRON MINIMUM OVER ALL

4. PACKAGING: PK-67800-001

5. PRODUCT SPECIFICATION REFER TO PS-67491-001

6. RECOMMENDED SOLDERING PROCESS: IR PROCESS

△ METAL POSTS TO BE SOLDERED TO PCB



RECOMMENDED P.C.B LAYOUT
CONNECTOR SIDE

| | | | | |
|-------------|--------------|---------------|-------|----------|
| 678005025 | SEE NOTE2(c) | BLACK | 3.45 | PURE TIN |
| 678005022 | SEE NOTE2(b) | | | |
| 678005021 | SEE NOTE2(a) | | | |
| 678005015 | SEE NOTE2(c) | BLACK | 3.05 | |
| 678005012 | SEE NOTE2(b) | | | |
| 678005011 | SEE NOTE2(a) | BLACK | 2.65 | |
| 678005005 | SEE NOTE2(c) | | | |
| 678005004 | SEE NOTE2(c) | | | |
| 678005003 | SEE NOTE2(c) | BLUE | 2.65 | |
| 678005002 | SEE NOTE2(b) | BLACK | | |
| 678005001 | SEE NOTE2(a) | | | |
| MATERIAL NO | PLATING TYPE | HOUSING COLOR | DIM A | REMARK |

| | | | | | | | | | |
|---|-------------------------------|---------------------------------------|----------------------|-----------------------------------|---|--|-------------------------------|-------------------------------------|----------------------------|
| REVISED EC NO: SH2010-0043 2009/08/07 TIDRWIN@LLI CHKD:XJSONG APPR:RZHANG 2009/08/10 2009/09/13 | QUALITY SYMBOLS ▽=0 □=0 | GENERAL TOLERANCES (UNLESS SPECIFIED) | | DIMENSION STYLE MM ONLY | | SCALE 5:1 | DESIGN UNITS METRIC | THIRD ANGLE PROJECTION | |
| | | 4 PLACES ± --- ± --- | 3 PLACES ± --- ± --- | DRAWN BY GRATE MA | DATE 2004/02/02 | TITLE HIGH SPEED CONNECTOR 1.27MM PITCH VERTICAL SMT SOLDER TAIL | | | |
| | | 2 PLACES ± 0.15 ± --- | 1 PLACE ± 0.25 ± --- | CHECKED BY YA JUN | DATE 2004/02/02 | MOLEX INCORPORATED | | | |
| | | ANGULAR ± 1 ° | | APPROVED BY SAM | DATE 2004/02/02 | MATERIAL NO. SEE CHART | | DOCUMENT NO. SD-67800-005 | SHEET NO. 2 OF 2 |
| DRAFT WHERE APPLICABLE MUST REMAIN WITHIN DIMENSIONS | | | | SIZE A3 | THIS DRAWING CONTAINS INFORMATION THAT IS PROPRIETARY TO MOLEX INCORPORATED AND SHOULD NOT BE USED WITHOUT WRITTEN PERMISSION | | | | |