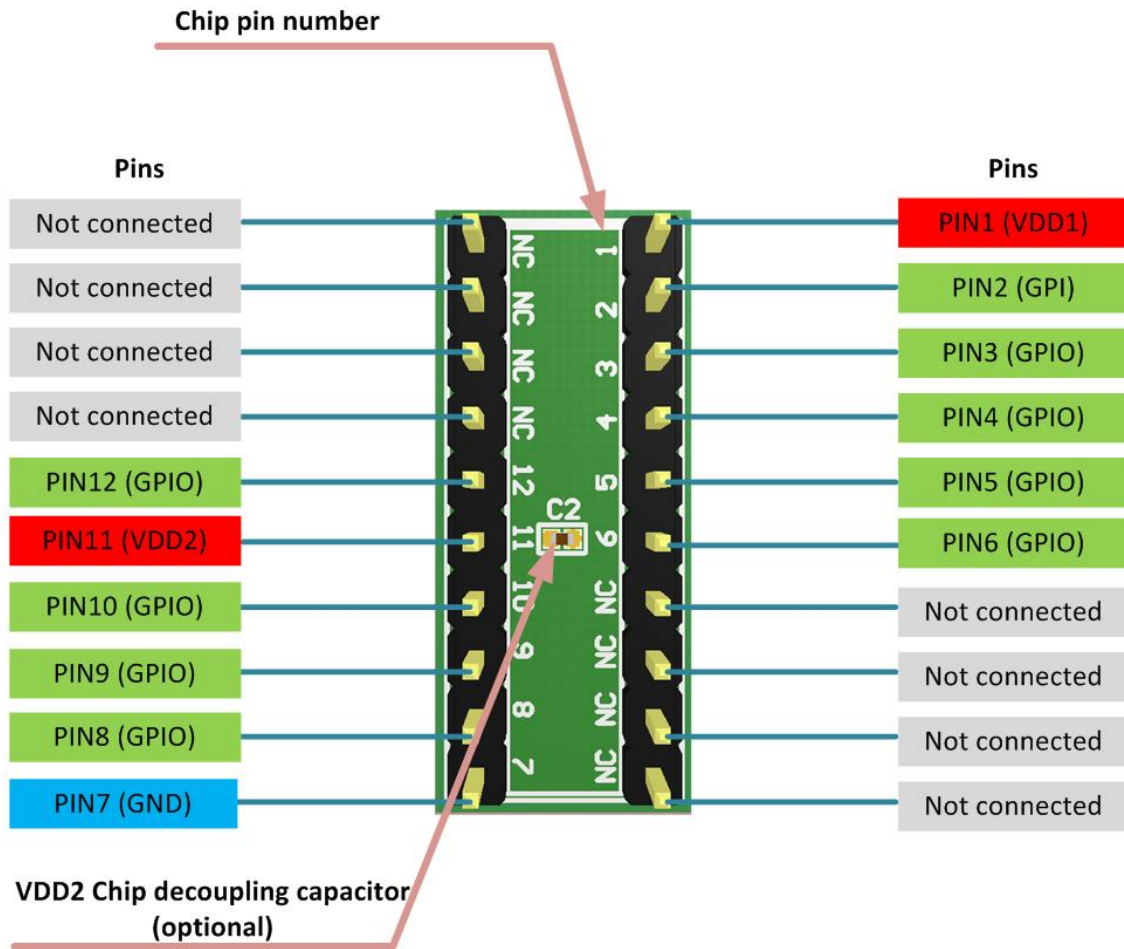


Bottom view



Board schematic

