

4

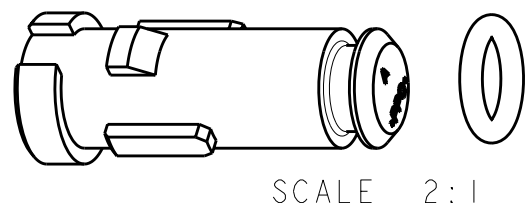
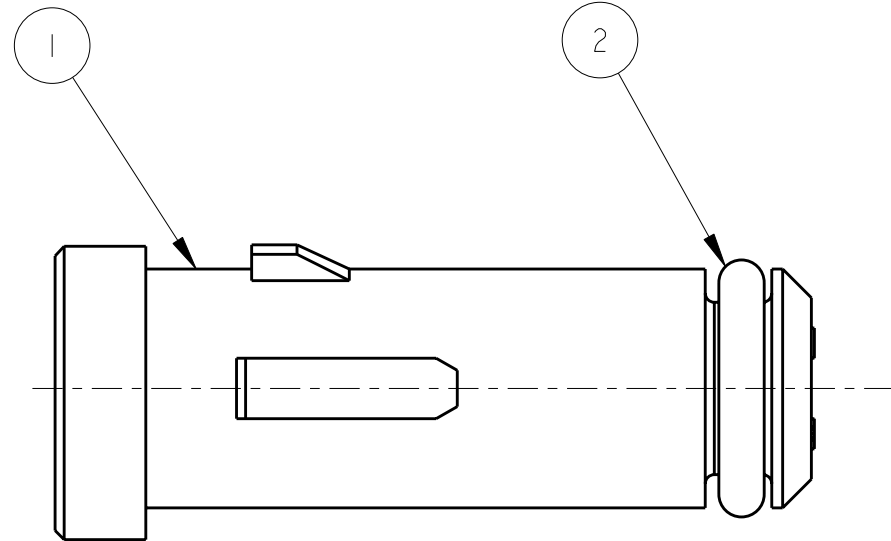
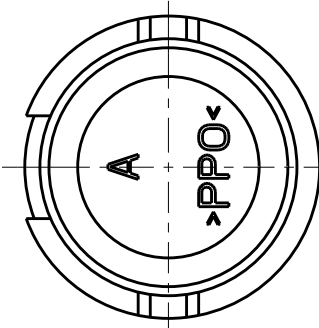
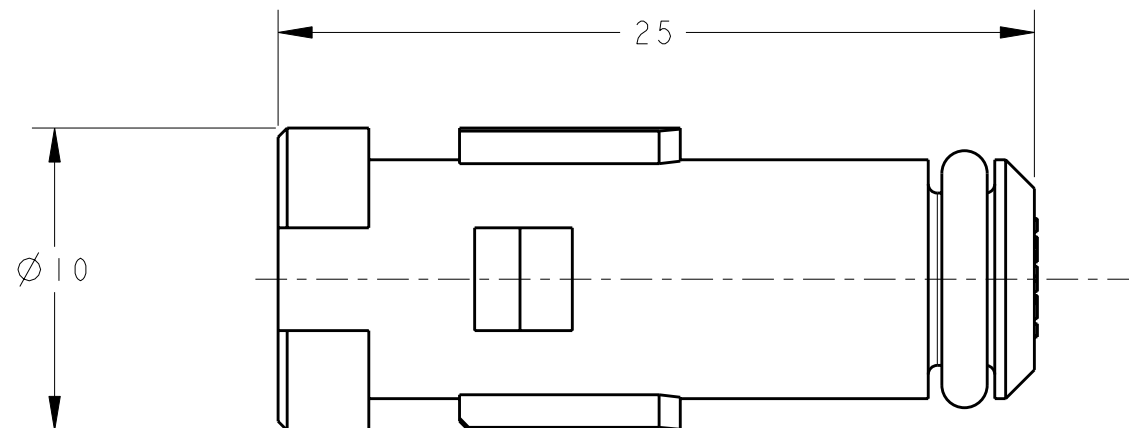
3

2

1

THIS DRAWING IS UNPUBLISHED. RELEASED FOR PUBLICATION 20
 © COPYRIGHT 20 BY TYCO ELECTRONICS CORPORATION. ALL RIGHTS RESERVED.

LOC	DIST	REVISIONS			
P	LTR	DESCRIPTION	DATE	DWN	APVD
ES	00	A2	ECR-09-019931	05SEP2009	OW JZ



QTY	DESCRIPTION	MATERIAL	ITEM No.
1	O RING	SI RUBBER	2
1	END SOCKET	PPO	1

PART LIST

THIS DRAWING IS A CONTROLLED DOCUMENT FOR TYCO ELECTRONICS CORPORATION. IT IS SUBJECT TO CHANGE AND THE CONTROLLING ENGINEERING ORGANIZATION SHOULD BE CONTACTED FOR THE LATEST REVISION.

DIMENSIONS:	TOLERANCES UNLESS OTHERWISE SPECIFIED:	DWN 23APR2008 OLIVER WANG	Tyco Electronics Shanghai, China OBSELETE NOT the LATEST REVISION
mm	0 PLC ±0.2	CHK 23APR2008 DIGO CHEN	
	1 PLC ±0.2	APVD 23APR2008 JULIAN ZHOU	
	2 PLC ±0.2	PRODUCT SPEC	
	3 PLC ±0.2	APPLICATION SPEC	NAME
	4 PLC ±0.2	WEIGHT	END SOCKET ASSY
	ANGLES ±	CUSTOMER DRAWING	SIZE CAGE CODE DRAWING NO RESTRICTED TO
MATERIAL	FINISH	SCALE 4:1	A300779C-1971133
		SHEET 1 OF 1	REV A2