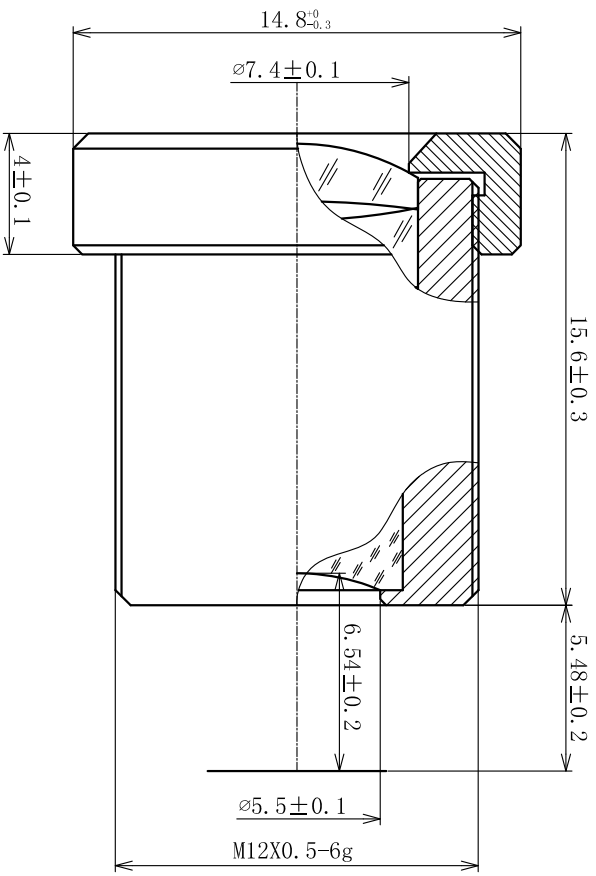
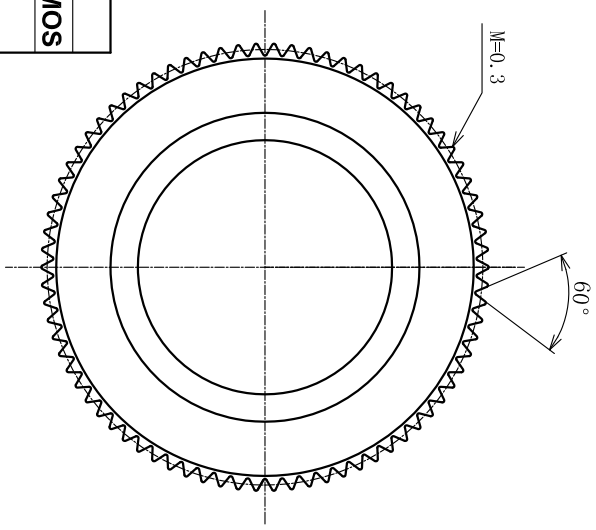


PART NO. M13B1218IRR2 REV. 0



SPECIFICATION

Sensor Type 1/3.0 CCD/CMOS

Focal Length 12.0mm

F.No. 1.8

Optical FOV
D 28.4°
H 22.7°
V 17.2°

Back Focal Length 6.54mm

Lens Effective Diameter
Front Ø7.4mm
Back Ø5.5mm

OP Distortion MP

Resolution MP

Relative Illumination Fixed

Iris Max Chief Ray Angle 0.2m

M.O.D M12X0.5-6g

Mount Weight g

REV.	DATE	DESCRIPTION	REVISED	APPR.	APPR.	NAME	DATE
0	13.12.12	新機作成	YWB	MCY	AUDI		

厦门力鼎光电技术有限公司
Xiamen Leading Optics Co., Ltd.

UNLESS TOLERANCE

Single Part Size ± 0.1 | Portfolio Size ± 0.2



3RD ANGLE PROJECTION