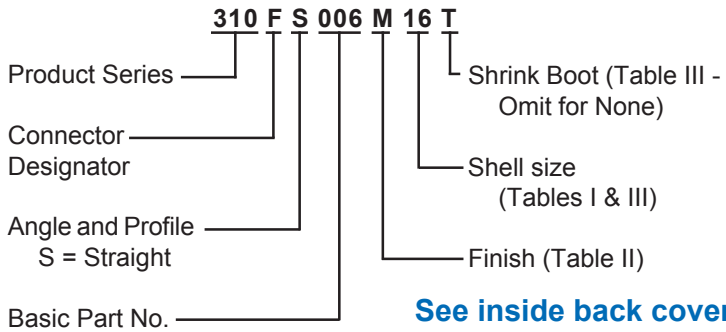
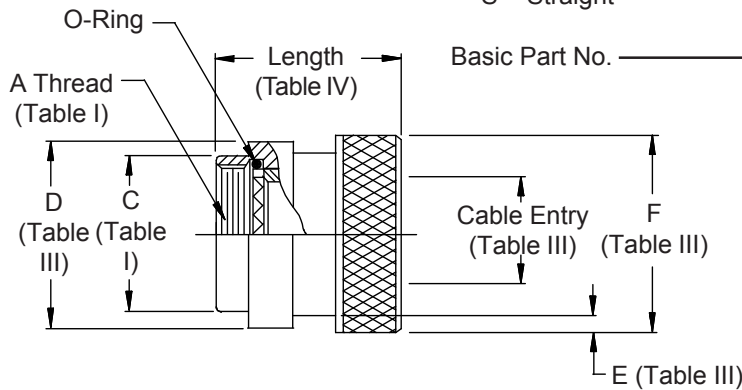




**CONNECTOR
DESIGNATORS
A-F-H-L-S
DIRECT
COUPLING**



See inside back cover
fold-out or pages 13 and
14 for unabridged
Tables I and II.

1. See Shrink Boot Reference Information (page 40).
2. Metric dimensions (mm) are indicated in parentheses.

TABLE III: CABLE ENTRY AND SHRINK BOOT

Shell Size	D Max	Cable Entry Min	E Min	F Max	Shrink Boot
08/09	.657 (16.7)	.250 (6.4)	.044 (1.1)	.688 (17.5)	770-001S103
10/11	.774 (19.7)	.355 (9.0)	.044 (1.1)	.803 (20.4)	770-001S103
12/13	.818 (20.8)	.491 (12.5)	.044 (1.1)	.938 (23.8)	770-001S104
14/15	1.024 (26.0)	.565 (14.4)	.044 (1.1)	1.063 (27.0)	770-001S104
16/17	1.152 (29.3)	.690 (17.5)	.069 (1.8)	1.238 (31.4)	770-001S106
18/19	1.243 (31.6)	.769 (19.5)	.069 (1.8)	1.310 (33.3)	770-001S106
20/21	1.370 (34.8)	.844 (21.4)	.069 (1.8)	1.436 (36.5)	770-001S106
22/23	1.443 (36.7)	1.019 (25.9)	.069 (1.8)	1.560 (39.6)	770-001S107
24/25	1.618 (41.1)	1.134 (28.8)	.069 (1.8)	1.686 (42.8)	770-001S108
28/29	1.969 (50.0)	1.369 (34.8)	.086 (2.2)	2.062 (52.4)	770-001S108*
32	2.219 (56.4)	1.615 (41.0)	.086 (2.2)	2.312 (58.7)	770-001S109*
36	2.469 (62.7)	1.830 (46.5)	.086 (2.2)	2.562 (65.1)	Consult Factory
40	2.719 (69.1)	2.045 (51.9)	.086 (2.2)	2.812 (71.4)	Overmolded
44	2.969 (75.4)	2.300 (58.4)	.086 (2.2)	3.062 (77.8)	Overmolded
48	3.219 (81.8)	2.550 (64.8)	.086 (2.2)	3.312 (84.1)	Overmolded

*Equivalent boot may be supplied in lieu of stated part number.

TABLE IV: LENGTH

Shell Sizes	Length Max - Connector Designator			
	A	F	H	L & S
08-25	.540 (13.7)	.625 (15.9)	.688 (17.5)	.750 (19.1)
28-48	.702 (17.8)	---	---	---

TABLE II - STANDARD FINISHES

GLENAIR SYMBOL	FINISH
B	Cadmium Plate, Olive Drab
C	Anodize, Black
G	Hard Coat, Anodic
M	Electroless Nickel
NF	Cadmium Plate, Olive Drab Over Electroless Nickel

See Back Cover for Complete Finish Information and Additional Finish Options

-445

Add "-445" to Specify Glenair's Non-Detent, ("NESTOR") Spring-Loaded, Self-Locking Coupling. See Page 41 for Details.