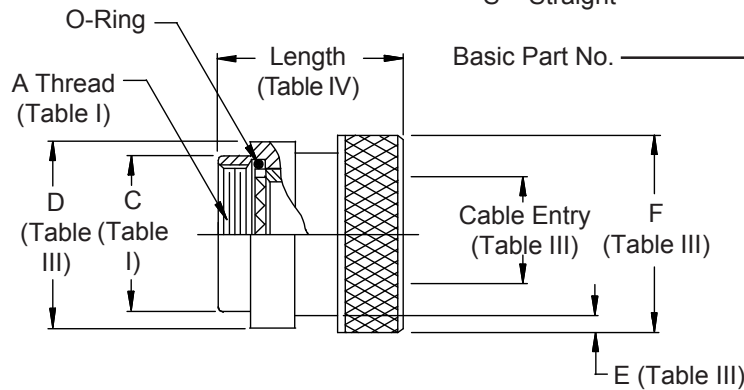




**CONNECTOR  
DESIGNATORS  
A-F-H-L-S  
DIRECT  
COUPLING**



Product Series — 310 F S 006 M 16 T  
 Connector Designator —  
 Angle and Profile — S = Straight  
 Basic Part No. —

Shrink Boot (Table III - Omit for None)  
 Shell size (Tables I & III)  
 Finish (Table II)

See inside back cover fold-out or pages 13 and 14 for unabridged Tables I and II.

1. See Shrink Boot Reference Information (page 40).
2. Metric dimensions (mm) are indicated in parentheses.

**TABLE III: CABLE ENTRY AND SHRINK BOOT**

Shell Size	D Max	Cable Entry Min	E Min	F Max	Shrink Boot
08/09	.657 (16.7)	.250 (6.4)	.044 (1.1)	.688 (17.5)	770-001S103
10/11	.774 (19.7)	.355 (9.0)	.044 (1.1)	.803 (20.4)	770-001S103
12/13	.818 (20.8)	.491 (12.5)	.044 (1.1)	.938 (23.8)	770-001S104
14/15	1.024 (26.0)	.565 (14.4)	.044 (1.1)	1.063 (27.0)	770-001S104
16/17	1.152 (29.3)	.690 (17.5)	.069 (1.8)	1.238 (31.4)	770-001S106
18/19	1.243 (31.6)	.769 (19.5)	.069 (1.8)	1.310 (33.3)	770-001S106
20/21	1.370 (34.8)	.844 (21.4)	.069 (1.8)	1.436 (36.5)	770-001S106
22/23	1.443 (36.7)	1.019 (25.9)	.069 (1.8)	1.560 (39.6)	770-001S107
24/25	1.618 (41.1)	1.134 (28.8)	.069 (1.8)	1.686 (42.8)	770-001S108
28/29	1.969 (50.0)	1.369 (34.8)	.086 (2.2)	2.062 (52.4)	770-001S108*
32	2.219 (56.4)	1.615 (41.0)	.086 (2.2)	2.312 (58.7)	770-001S109*
36	2.469 (62.7)	1.830 (46.5)	.086 (2.2)	2.562 (65.1)	Consult Factory
40	2.719 (69.1)	2.045 (51.9)	.086 (2.2)	2.812 (71.4)	Overmolded
44	2.969 (75.4)	2.300 (58.4)	.086 (2.2)	3.062 (77.8)	Overmolded
48	3.219 (81.8)	2.550 (64.8)	.086 (2.2)	3.312 (84.1)	Overmolded

\*Equivalent boot may be supplied in lieu of stated part number.

**TABLE IV: LENGTH**

Shell Sizes	Length Max - Connector Designator			
	A	F	H	L & S
08-25	.540 (13.7)	.625 (15.9)	.688 (17.5)	.750 (19.1)
28-48	.702 (17.8)	---	---	---

**TABLE II - STANDARD FINISHES**

GLENAIR SYMBOL	FINISH
B	Cadmium Plate, Olive Drab
C	Anodize, Black
G	Hard Coat, Anodic
M	Electroless Nickel
NF	Cadmium Plate, Olive Drab Over Electroless Nickel

See Back Cover for Complete Finish Information and Additional Finish Options

**-445**

Add "-445" to Specify Glenair's Non-Detent, ("NESTOR") Spring-Loaded, Self-Locking Coupling. See Page 41 for Details.