

FJ-20-D-06.50-4

FJ-05-D-04.80-4

(1.00 mm) .0394"

FJ SERIES

FLAT FLEXIBLE CABLE (FFC) JUMPER

SPECIFICATIONS

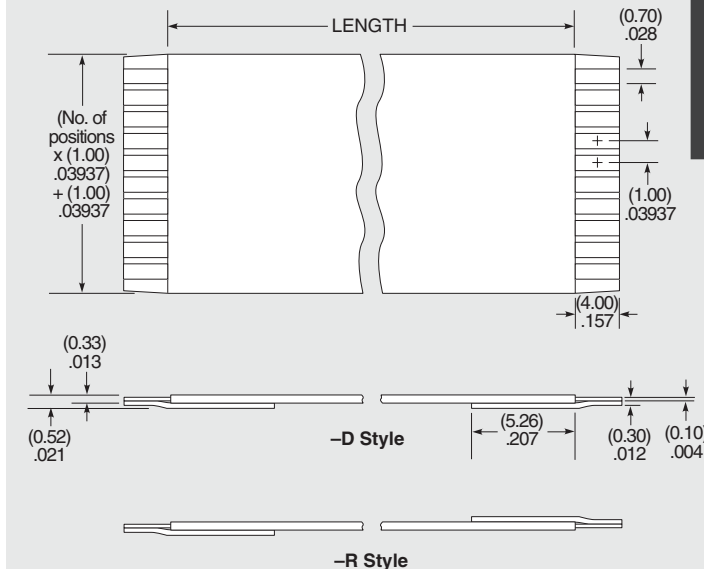
For complete specifications see www.samtec.com/FJ

- Conductor:** Tin Plated Copper
- Conductor Resistance:** 300 Ω/km max
- Insulation Resistance:** 10 MΩ/km min (conductor-to-conductor)
- Dielectric Test:** 400 VAC during 1 minute (conductor-to-conductor)
- Temperature Rating:** -30 °C to +80 °C
- Voltage Rating:** 300 VAC
- RoHS Compliant:** Yes

Mates with:
FC1, ZF1



FJ	NO. OF POSITIONS	STYLE	LENGTH	STRIP LENGTH
	-05, -10, -15, -20, -25, -30	-D = Double End -R = Reversed End	Length in inches -03.00 = (76.2 mm) 3.00" -06.00 = (152.4 mm) 6.00" -12.00 = (304.8 mm) 12.00" -24.00 = (609.6 mm) 24.00" (Standard Lengths)	-4 = (4.00 mm) .157" (Required for mating with FC1 & ZF1)



ALSO AVAILABLE (MOQ Required)

- Other Lengths

Notes:
Stiffener color will be blue or black at Samtec's discretion.
Some sizes, styles and options are non-standard, non-returnable.

Due to technical progress, all designs, specifications and components are subject to change without notice.

WWW.SAMTEC.COM

All parts within this catalog are built to Samtec's specifications. Customer specific requirements must be approved by Samtec and identified in a Samtec customer-specific drawing to apply.