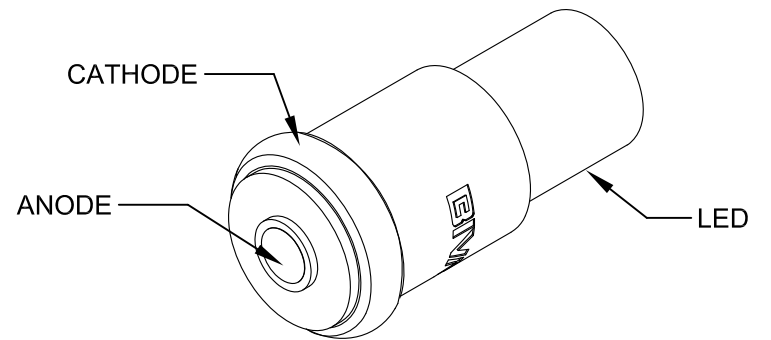
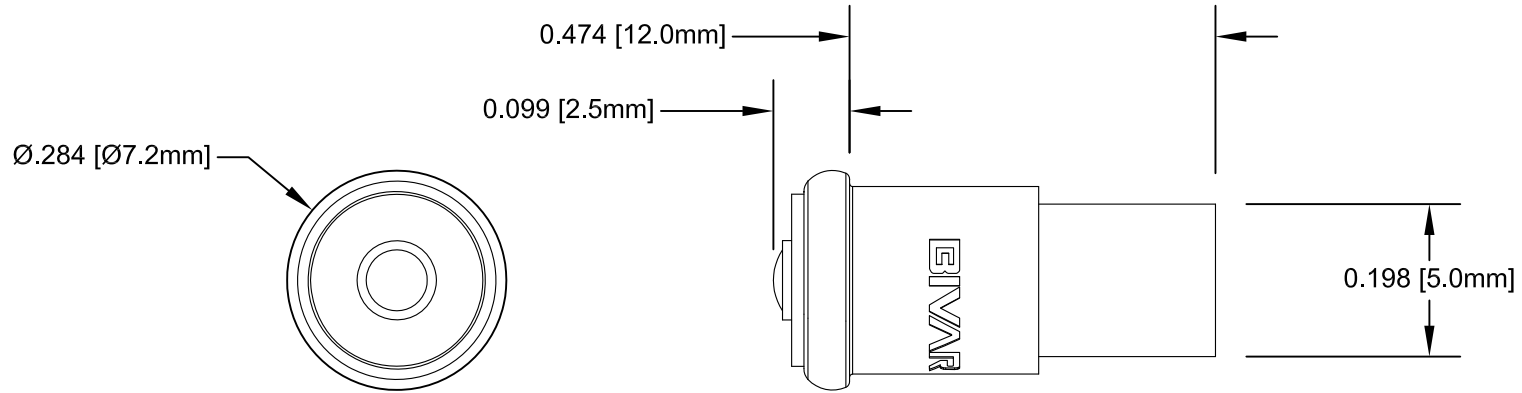

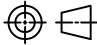


REV.	DESCRIPTION	DATE	APPROVED
A	Engineering Release	10/21/13	G. W.



NOTES:

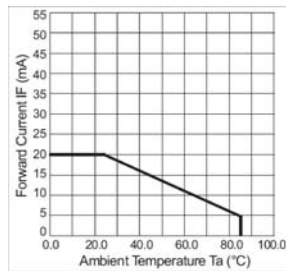
2. DIRECT REPLACEMENT FOR T1 $\frac{3}{4}$ MIDGET FLANGE SX6s BASED LAMPS
1. CENTER CONTACT ANODE

STANDARD TOLERANCE (UNLESS OTHERWISE SPECIFIED)		 4 THOMAS, IRVINE, CA. 92618	
DECIMALS	ANGULAR		
.X ± .1	X° ± 1°		TITLE: 206 SERIES INCANDESCENT REPLACEMENT LED
.XX ± .02			PART NO: LFR-206X-XXX
.XXX ± .010			CAGE CODE : 32559 SHEET # 1 OF 2
DESIGNED: Alex Wright	DATE: 10/21/13	DATE: 10/21/13	REVISION: A
CHECKED: Minh Doan	DATE: 10/21/13	CAD GENERATED DOCUMENT, DO NOT MEASURE DRAWING.	

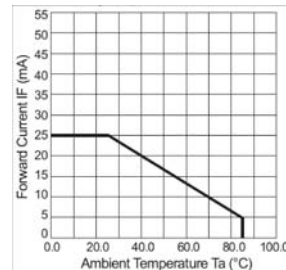
REV.	DESCRIPTION	DATE	APPROVED
	SEE SHEET #1		

DERATING CURVES

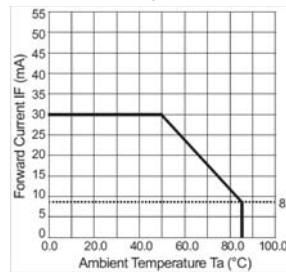
Derating Graph 1



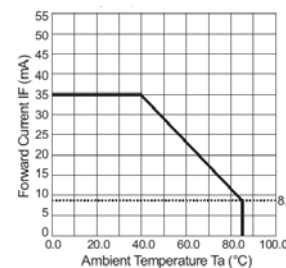
Derating Graph 2



Derating Graph 3




Derating Graph 4



Bivar Part Number	Wave Length λp(nm)	Emitted Color	Lens Appearance	Operating Voltage	Electro-Optical Data		Viewing Angle	De-rating Graphs
				Vopr (Vdc)	Current DC (mA)	Iv (mcd)		
				TYP	TYP	TYP		
LFR-206R12V	630	RED	CLEAR	12	10	600	120	1
LFR-206R28V	630	RED	CLEAR	28	8	600	120	1
LFR-206Y12V	585	YELLOW	CLEAR	12	10	600	120	1
LFR-206Y28V	585	YELLOW	CLEAR	28	8	600	120	1
LFR-206G12V	515	GREEN	CLEAR	12	10	800	120	2
LFR-206G28V	515	GREEN	CLEAR	28	8	800	120	2
LFR-206B12V	465	BLUE	CLEAR	12	10	230	120	4
LFR-206B28V	465	BLUE	CLEAR	28	8	230	120	4
Bivar Part Number	Chromaticity Coordinates	Emitted Color	Lens Appearance	Operating Voltage	Electro-Optical Data		Viewing Angle	De-rating Graphs
				Vopr (Vdc)	Current DC (mA)	Iv (mcd)		
				TYP	TYP	TYP		
LFR-206WW12V	X=0.4255~0.4680 Y=0.4000~0.4385	WARM WHITE	CLEAR	12	10	850	120	3
LFR-206WW28V	X=0.4255~0.4680 Y=0.4000~0.4385	WARM WHITE	CLEAR	28	8	850	120	3
LFR-206CW12V	X=0.31 Y=0.32	COOL WHITE	CLEAR	12	10	1100	120	3
LFR-206CW28V	X=0.31 Y=0.32	COOL WHITE	CLEAR	28	8	1100	120	3

ABSOLUTE MAXIMUM RATINGS (Ta = 25°C)

MAXIMUM POWER DISSIPATION _____ 500 mW
 OPERATING TEMPERATURE RANGE _____ -40°C ~ 85°C
 STORAGE TEMPERATURE _____ -40°C ~ 100°C

STANDARD TOLERANCE (UNLESS OTHERWISE SPECIFIED)		 4 THOMAS, IRVINE, CA. 92618 TEL: (949) 951-8808 FAX: (949) 951-3974		
DECIMALS ANGULAR				
DESIGNED: Alex Wright		DATE:	10/21/13	TITLE: 206 SERIES INCANDESCENT REPLACEMENT LED
		CHECKED:	Minh Doan	
PART NO: LFR-206X-XXX		REVISION: A		
CAGE CODE : 32559		SHEET # 2 OF 2		
CAD GENERATED DOCUMENT, DO NOT MEASURE DRAWING.				