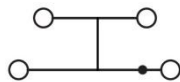
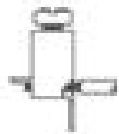
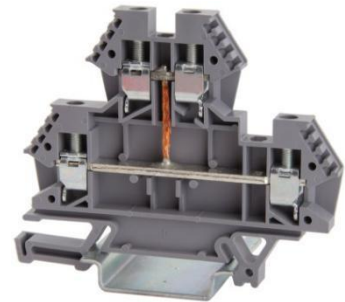


# Euro Two Stage Feed-through Terminal Block

Article: **10134289-001LF**

Two stage Feed-through cross connected terminal block - Grey  
Screw connection - 4mm<sup>2</sup> / 10AWG - Width 6 mm



## GENERAL DATA

Series	<b>EURO D4-2</b>
Item	<b>10134289</b>
Weight/Piece	<b>19 g</b>
Colour	<b>Grey</b>
Q.ty p.pkg.	<b>50</b>
Q.ty p. box	<b>1.000</b>

## TECHNICAL DATA / DIMENSIONS

### Dimensions

Width mm(in.)	6 (0.24)
Length mm(in.)	75 (2.95)
Height mm(in.)	56 (2.20)
Mounting type (EN 60715)	Omega TH35

### Technical data

Maximum load current	32A
Insulating material	PA 68
Self-extinguishing degree acc. to UL94	V0
Rated surge voltage	8kV
Pollution degree	3
Surge voltage category	III
Insulating material group	I
Nominal Voltage	1000V
Nominal Current	32A
Temperature index, insulating material – Elec. UL 746 B - RTI	130°C
Static insulating material lower permissible temperature	-60°C

### Connection data

Conductor cross-section solid min/max	0.50 / 6 mm <sup>2</sup>
Conductor cross-section stranded min/max	0.50 / 4 mm <sup>2</sup>

AWG min/max	24-10AWG
Max conductor cross-section stranded with ferrule with plastic sleeve	4 mm <sup>2</sup> / L=8 mm
Stripping length	max 6 mm
Screw	M3 – Zinc plated steel
Tightening torque	0,6Nm / 7. 0 Lb-In
Clamp	Zinc plated steel
Current bar	Tin Plated copper alloy

## APPROVALS



RINA

**EN60947-7-1**

4mm<sup>2</sup> – 1000V – 32A

**EN60068-2-11**

Salt mist test for 96 hours

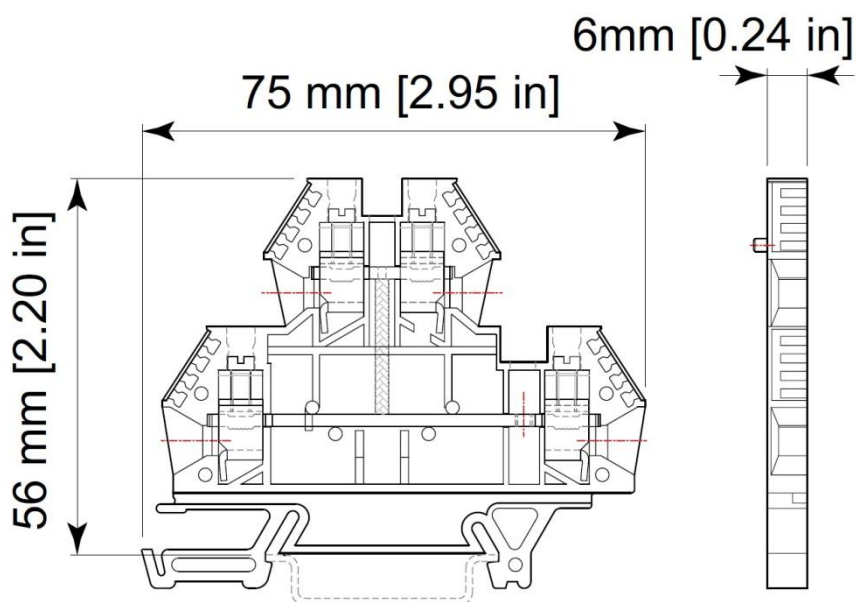


**UL1059**

**SCCR** 100kA

AWG 24-10 – 600V – 30A

## TECHNICAL DRAWINGS



## ACCESSORIES

**Marking**

Item	Description
<b>10134398-001LF</b>	Single-digit marking tag (5 x 3 mm) - white
<b>10134398-002LF ~ 10134398-011LF</b>	Single-digit marking tag (5 x 3 mm) – with marking: 0 ~ 9
<b>10134398-012LF ~ 10134398-036LF</b>	Single-digit marking tag (5 x 3 mm) – with marking: A ~ Z
<b>10134399-001LF</b>	Marking tag adapter – 6 slots for marking tags
<b>10134400-001LF</b>	Marking tags (5 x 12 mm) - white ( <i>special marking on request</i> )
<b>10134401-001LF</b>	Marking tags (6 x 12 mm) - white ( <i>special marking on request</i> )
<b>10134401-001LF</b>	Tags 6x12mm (39tags x 20cards)

**DIN RAIL system - Mounting and Installation material**

Item	Description
<b>10134392-001LF</b>	Steel Omega rail 35/7,5mm - 2mt length
<b>10134393-001LF</b>	Slotted steel Omega rail 35/7,5mm - 2mt length
<b>10134394-001LF</b>	Steel Omega rail 35/15mm - 2mt length
<b>10134395-001LF</b>	Slotted steel Omega rail 35/15mm - 2mt length
<b>10134387-001LF</b>	Angled support bracket
<b>10134389-001LF</b>	EURO STOP - End bracket width 9
<b>10134390-001LF</b>	EURO STOP - End bracket width 6
<b>10134391-001LF</b>	EURO STOP - Snap-on end bracket width 6

**Additional items**

Item	Description
<b>10134292 -001LF</b>	End plate
<b>10134291-001LF</b>	Cover for EURO D4
<b>10134272-001LF</b>	EURO J4 - Jumper bar 2 poles - pitch 5,1mm
<b>10134272-002LF</b>	EURO J4 - Jumper bar 3 poles - pitch 5,1mm
<b>10134272-003LF</b>	EURO J4 - Jumper bar 24 poles - pitch 5,1mm
<b>10134271-002LF</b>	Ratchet Cutting Tool for Jumpers - yellow - pitch 6,1mm
<b>10134276-001LF</b>	Red test plug adapter
<b>10134276-002LF</b>	Black test plug adapter