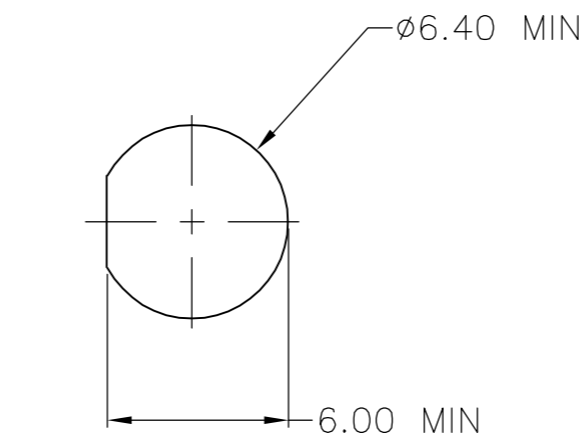
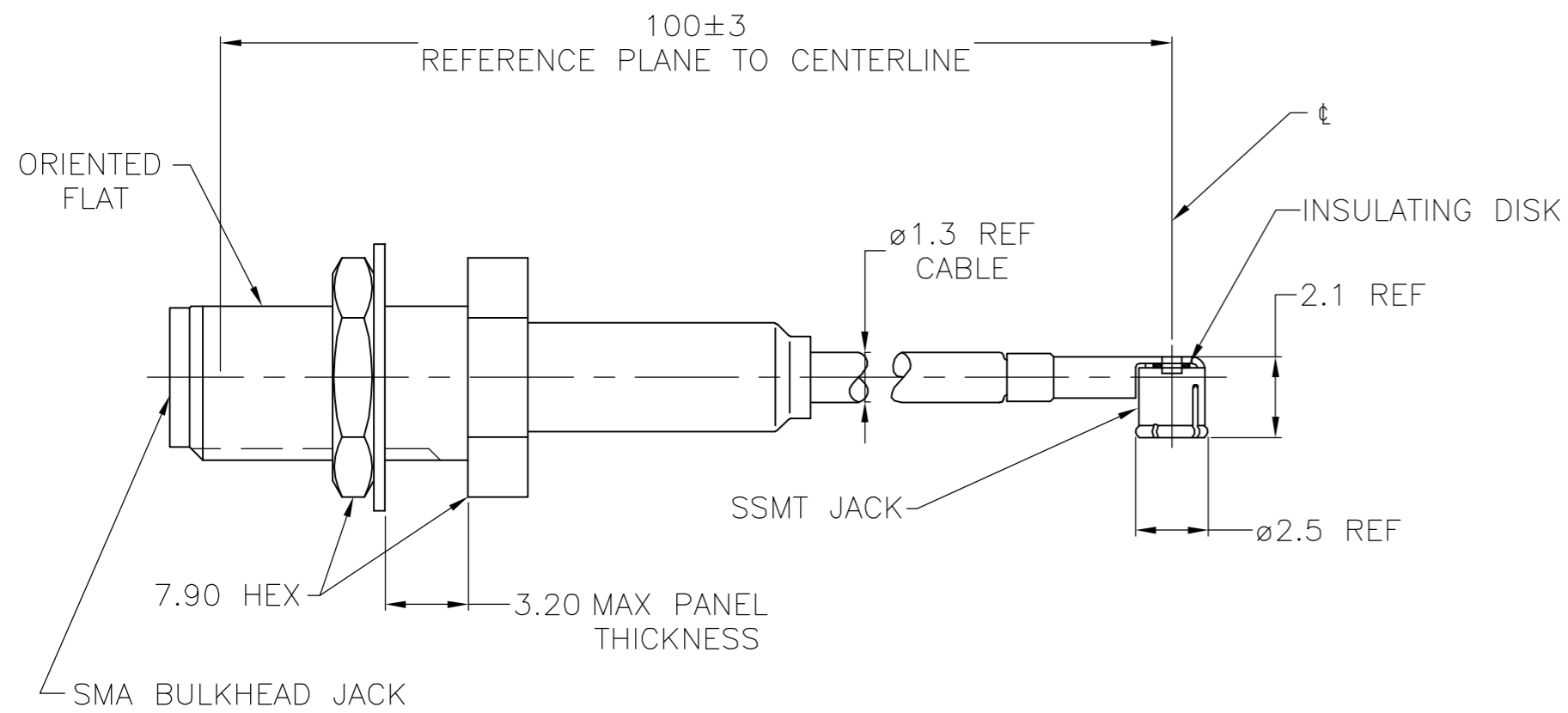


THIS DRAWING IS UNPUBLISHED. RELEASED FOR PUBLICATION  
 © COPYRIGHT BY TYCO ELECTRONICS CORPORATION. ALL RIGHTS RESERVED.

LOC	DIST	REVISIONS			
P	LTR	DESCRIPTION	DATE	DWN	APVD
AJ	17	B	REVISED PER EC OS14-0098-05	11MAY2006	KS KW



RECOMENDED MOUNTING HOLE

- PERFORMANCE SHOWN FOR SSMT CONNECTOR AND CABLE ONLY. FOR CABLE ASSEMBLY DATA CONSULT FACTORY.
- FLAT ORIENTED AS SHOWN TO WITHIN 90°±30° OF SSMT CENTERLINE

COMPONENT	MATERIAL	FINISH
<b>SMA CONNECTOR</b>		
HOUSING & COUPLING NUT	STAINLESS STEEL	PASSIVATE
CENTER CONTACT	BERYLLIUM COPPER	GOLD PLATE
INNER CONTACT	BERYLLIUM COPPER	GOLD PLATE
DIELECTRIC	TETRAFLUOROETHYLENE (TFE)	N/A
RETAINING RING	BERYLLIUM COPPER	N/A
GASKET	SILICONE RUBBER	N/A
FERRULE	COPPER OR BRASS	NICKEL PLATE
SHRINK TUBING	HEAT SHRINKABLE POLYOLEFIN COMPOUND	N/A
<b>SSMT CONNECTOR</b>		
OUTER CONTACT	BERYLLIUM COPPER	GOLD PLATE OVER NICKEL PLATE
CENTER CONTACT	BERYLLIUM COPPER	GOLD PLATE OVER NICKEL PLATE
DIELECTRIC	POLYPROPYLENE, GF	N/A
<b>CABLE</b>		
JACKET	FLUORINATED ETHYLENE PROPYLENE (FEP)	N/A
SHIELD	COPPER WIRE, 44 AWG	SILVER PLATED
DIELECTRIC	POLYTETRAFLUOROETHYLENE (PTFE)	N/A
CENTER CONDUCTOR	COPPER CLAD STEEL, 30 AWG	SILVER PLATED
INSULATING DISK	POLYESTER	N/A

1064544-1  
PART NUMBER

ELECTRICAL	MECHANICAL	ENVIRONMENTAL
FREQUENCY	CONNECTOR DURABILITY	TEMPERATURE RATING
NOMINAL IMPEDENCE	100 MATING CYCLES	-40°C(-40°F) TO +125°C(257°F)
VOLTAGE RATING		
VSWR (MATED CONNECTORS ONLY)		
INSULATION RESISTANCE		
DIELECTRIC WITHSTANDING VOLTAGE		

PRODUCT SPEC

THIS DRAWING IS A CONTROLLED DOCUMENT.		DWN DK SCHRUM 11MAY2006	Tyco Electronics Corporation Harrisburg, PA 17105-3608	
DIMENSIONS: mm		CHK KE WEIDNER 11MAY2006	NAME SSMT RIGHT ANGLE JACK TO SMA BULKHEAD JACK INTERSERIES CABLE ASSEMBLY	
TOLERANCES UNLESS OTHERWISE SPECIFIED:		APVD KE WEIDNER 11MAY2006	SIZE A2 CAGE CODE 00779 DRAWING NO C=1064544	
0 PLC ± -	1 PLC ± -	PRODUCT SPEC -	RESTRICTED TO -	
2 PLC ± -	3 PLC ± -	APPLICATION SPEC -	SCALE 4:1 SHEET 1 OF 1 REV B	
4 PLC ± -	ANGLES ± -	WEIGHT -	CUSTOMER DRAWING	
MATERIAL -	FINISH -			