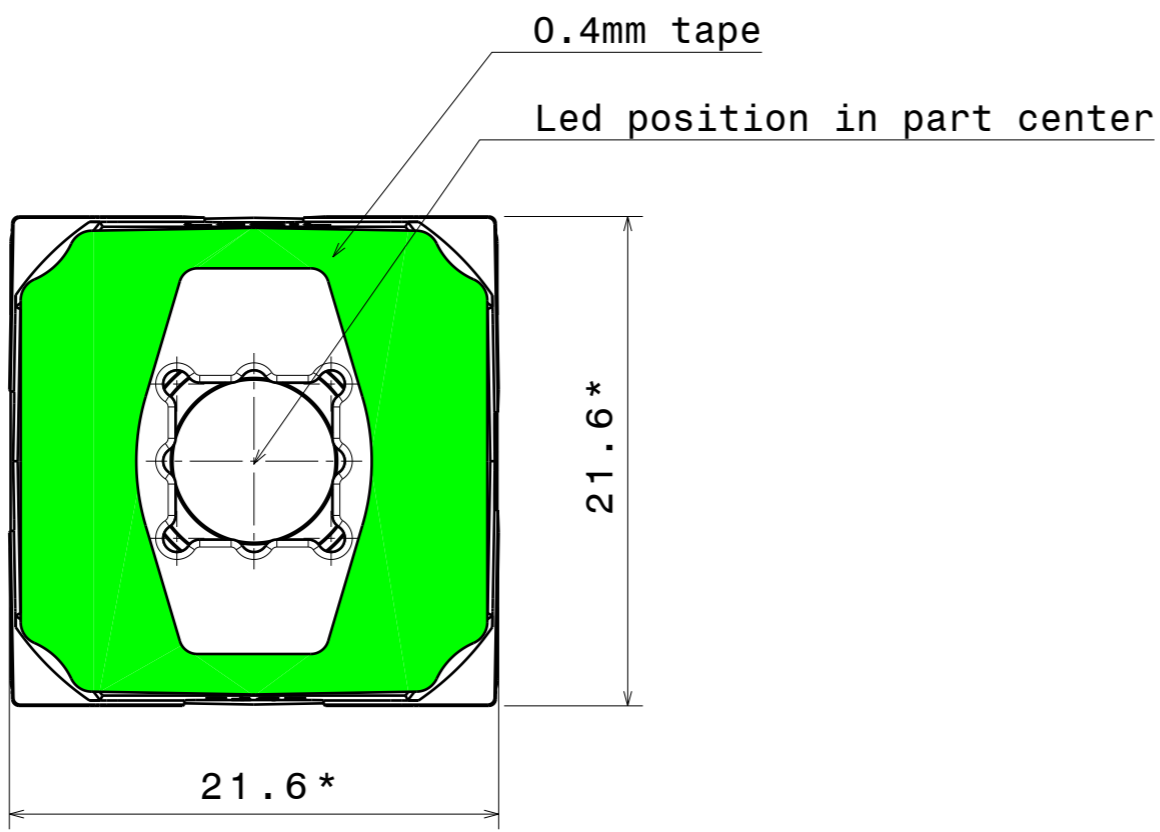
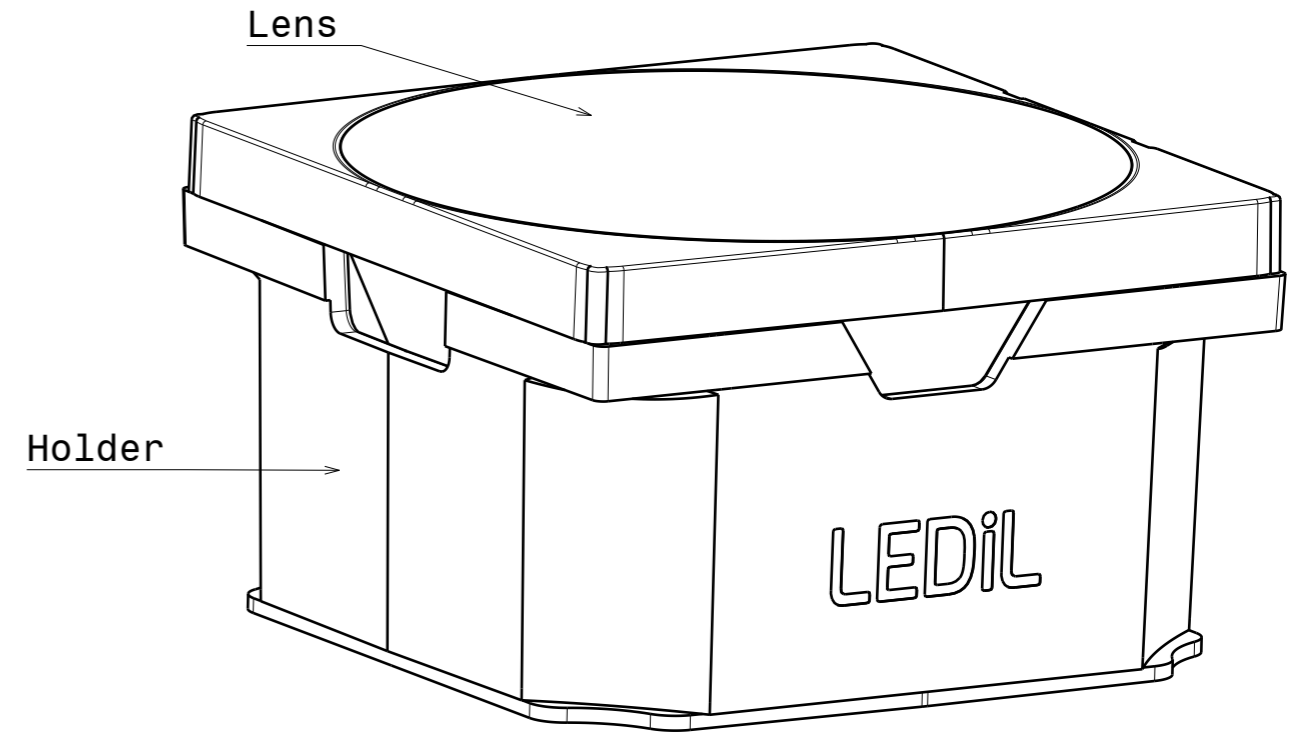
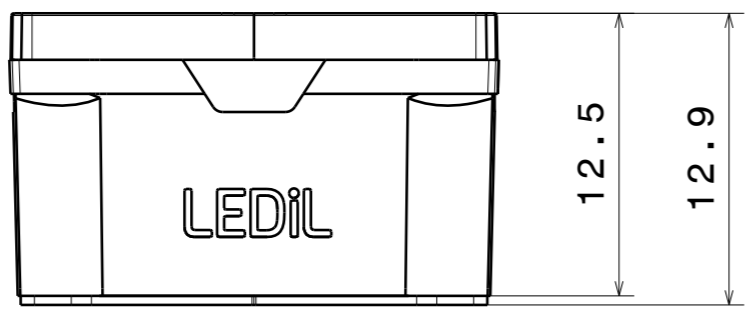


H G F E D C B A

Bottom view




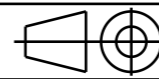
Front view



Isometric view

\*Local adhesive layer between lens and holder part ->  
21.6mm tolerance according DIN ISO 2768-1 class C

INDEX	PART NO	DESCRIPTION	MATERIAL	COLOUR
1	FCA14464	G2-NIS033U-W	Lens optical grade silicon / Holder PC black / Tape PU 2-sided adhesive foam tape	Black

Tolerances if not otherwise shown According to DIN ISO 2768-1 Linear measures: class C. According to DIN ISO 2768-2 Form and position: class L		 Ledil Oy Salorankatu 10 FIN 24240 SALO Finland	
THIRD ANGLE PROJECTION: 		DRAWING TITLE <b>FCA14464_G2-NIS033U-W</b>	
This drawing is the property of LEDiL Oy. It may not be reproduced, copied or communicated without a written agreement with LEDiL Oy.		SIZE <b>A3</b>	PART NUMBER <b>FCA14464</b>
		SCALE 1:1	WEIGHT SHEET 1/1

H G B A