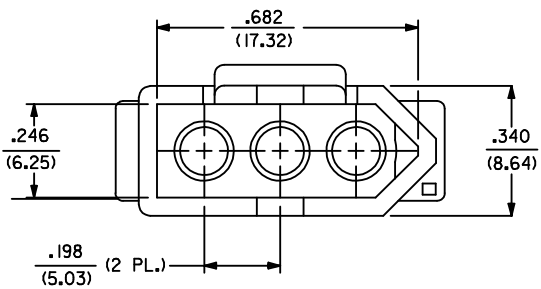
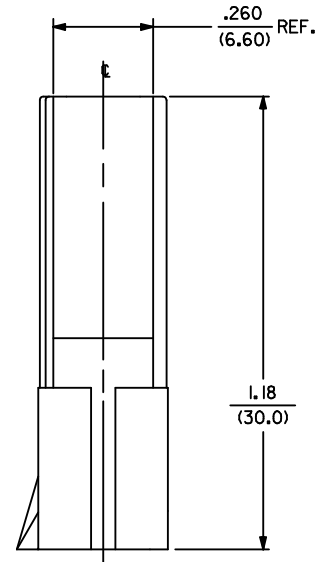
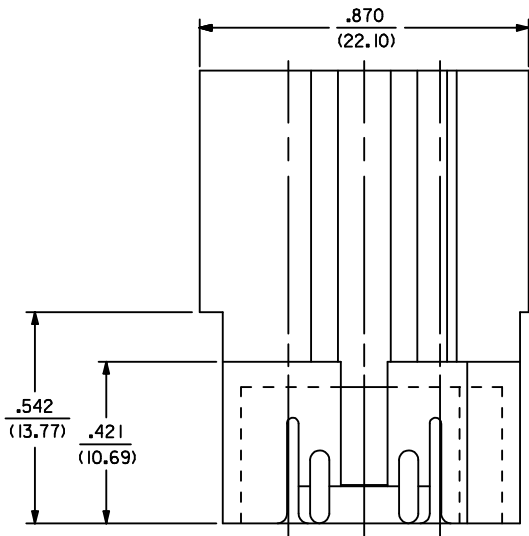
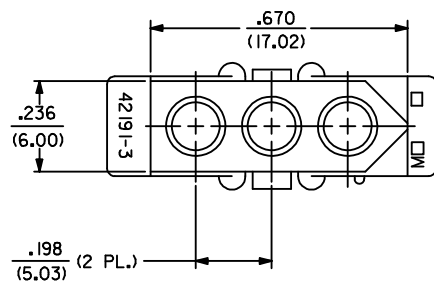
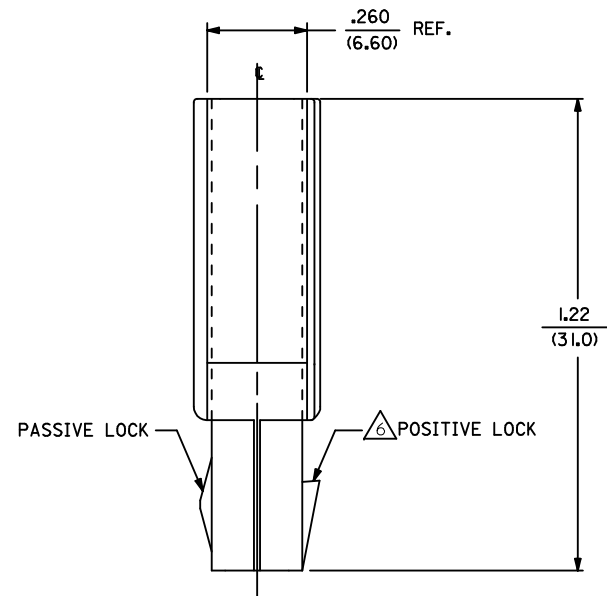
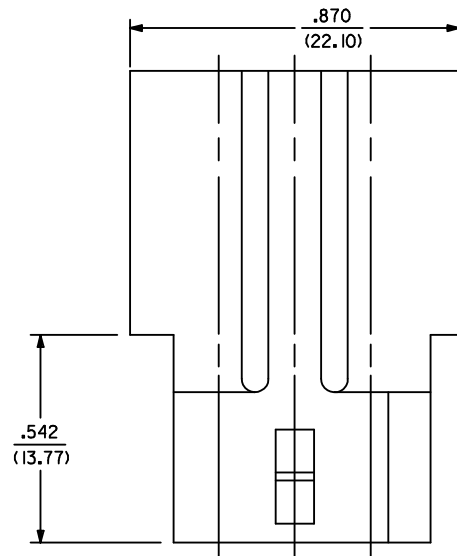
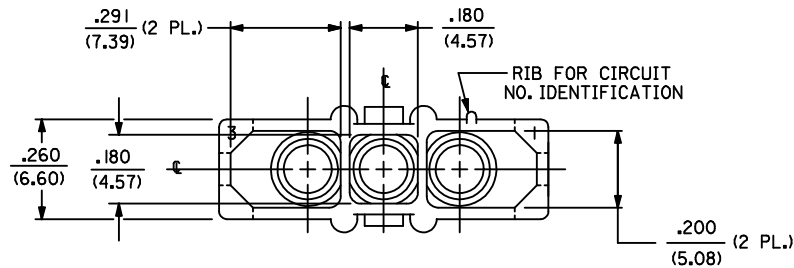


RIB FOR CIRCUIT NO. IDENTIFICATION



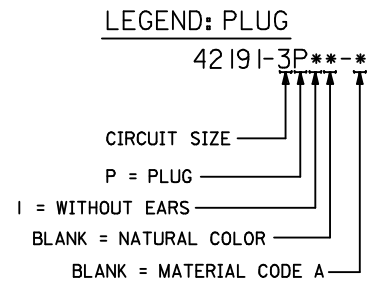
REMOVE EARS EC NO: UCP2015-1601 DRWN: JDFOX 2014/10/23 CHKD: MKIPPER 2014/10/23 APPR: FSMITH 2014/11/13	QUALITY SYMBOLS 	GENERAL TOLERANCES (UNLESS SPECIFIED)		DIMENSION STYLE IN/MM	SCALE 4:1	DESIGN UNITS INCH	THIRD ANGLE PROJECTION
		4 PLACES ± --- ± --- 3 PLACES ± --- ± .010 2 PLACES ± 0.25 ± .014 1 PLACE ± 0.36 ± --- 0 PLACE ± --- ± ---	DRAWN BY JDFOX	DATE 2014/10/23	CHECKED BY RW	DATE 2014/11/13	TITLE .093/(2.36) HOUSING PLUG AND RECEPTACLE 3 CIRCUIT
REV G	DESCRIPTION REMOVE EARS	ANGULAR ±1/2°		MATERIAL NO. SEE CHART	DOCUMENT NO. SD-42191-3*	SHEET NO. 1 OF 3	
DRAFT WHERE APPLICABLE MUST REMAIN WITHIN DIMENSIONS				THIS DRAWING CONTAINS INFORMATION THAT IS PROPRIETARY TO MOLEX INCORPORATED AND SHOULD NOT BE USED WITHOUT WRITTEN PERMISSION			



SEE SHEET 1 EC NO: UCP2015-1601 DRWN:JDOX 2014/10/23 CHKD:HKIPPR 2014/10/23 APPR:FSMITH 2014/11/13	QUALITY SYMBOLS ▽=0 ▽=0 ▽=0	GENERAL TOLERANCES (UNLESS SPECIFIED)		DIMENSION STYLE IN/MM	SCALE 4:1	DESIGN UNITS INCH	THIRD ANGLE PROJECTION
			mm	INCH	DRAWN BY JDOX	DATE 2014/10/23	TITLE .093/(2.36) HOUSING PLUG AND RECEPTACLE 3 CIRCUIT
		4 PLACES ± --- ± ---	3 PLACES ± --- ± .010	2 PLACES ± 0.25 ± .014	CHECKED BY RW	DATE	molex
		1 PLACE ± 0.36 ± ---	0 PLACE ± --- ± ---	ANGULAR ±1/2°	APPROVED BY FSMITH	DATE 2014/11/13	
	DRAFT WHERE APPLICABLE MUST REMAIN WITHIN DIMENSIONS		SIZE C	MATERIAL NO. SEE CHART	DOCUMENT NO. SD-42191-3*	SHEET NO. 2 OF 3	
THIS DRAWING CONTAINS INFORMATION THAT IS PROPRIETARY TO MOLEX INCORPORATED AND SHOULD NOT BE USED WITHOUT WRITTEN PERMISSION							

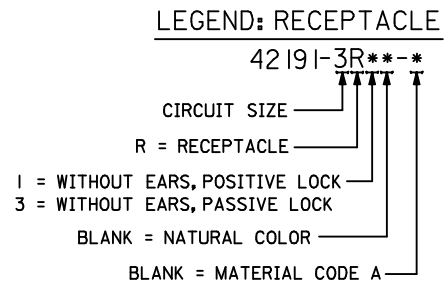
PLUG	
PART NO.	ENG. NO.
03-09-2171	42191-3P1

RECEPTACLE	
PART NO.	ENG. NO.
03-09-1171	42191-3R1
03-09-1173	42191-3R3



NOTES:

- MATERIAL CODES:
A = NYLON TYPE 6/6, 94V-2
- FINISH: NONE
- PRODUCT SPECIFICATION: NONE
- PACKAGING INFORMATION: NONE
- ALL THREE CIRCUITS ACCEPT DOUBLE WIRE CRIMPS OF 18 AWG MAXIMUM. CIRCUIT NO'S. 1 AND 3 WILL EACH ALLOW ONE OF THE WIRES TO HAVE AN OVERSIZE INSULATION THICKNESS OF .062/(1.57). CIRCUIT NO. 2 REQUIRES THAT BOTH WIRES NOT EXCEED AN INSULATION THICKNESS OF .031/(0.79).
- LOCK RAMP STYLE IS OPTIONAL ON THIS SIDE OF PART. CHOICE OF EITHER A POSITIVE LOCK RAMP OR A PASSIVE LOCK RAMP IS AVAILABLE.
- PARTS CONFORM TO CLASS 'B' REQUIREMENTS OF COSMETIC SPECIFICATION PS-45499-002.



SEE SHEET 1 EC NO: UCP2015-1601 DRWN: JDFOX 2014/10/23 CHKD: JHK/PPER 2014/10/23 APPR: FSMITH 2014/11/13	QUALITY SYMBOLS ▽=0 ▽=0 ▽=0	GENERAL TOLERANCES (UNLESS SPECIFIED)		DIMENSION STYLE IN/MM		SCALE 1:1	DESIGN UNITS INCH	THIRD ANGLE PROJECTION			
		4 PLACES ± --- ± ---	3 PLACES ± --- ± .010	2 PLACES ± 0.25 ± .014	1 PLACE ± 0.36 ± ---	0 PLACE ± --- ± ---	DRAWN BY JDFOX	DATE 2014/10/23	TITLE .093/(2.36) HOUSING PLUG AND RECEPTACLE 3 CIRCUIT		
		DRAFT WHERE APPLICABLE MUST REMAIN WITHIN DIMENSIONS					CHECKED BY RW	DATE			
		ANGULAR ±1/2°					APPROVED BY FSMITH	DATE 2014/11/13	DOCUMENT NO. SD-42191-3*		SHEET NO. 3 OF 3
SIZE THIS DRAWING CONTAINS INFORMATION THAT IS PROPRIETARY TO MOLEX INCORPORATED AND SHOULD NOT BE USED WITHOUT WRITTEN PERMISSION											