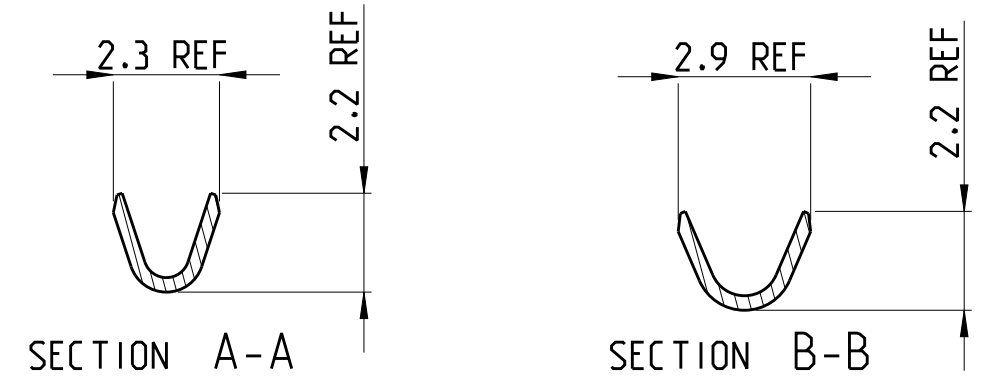
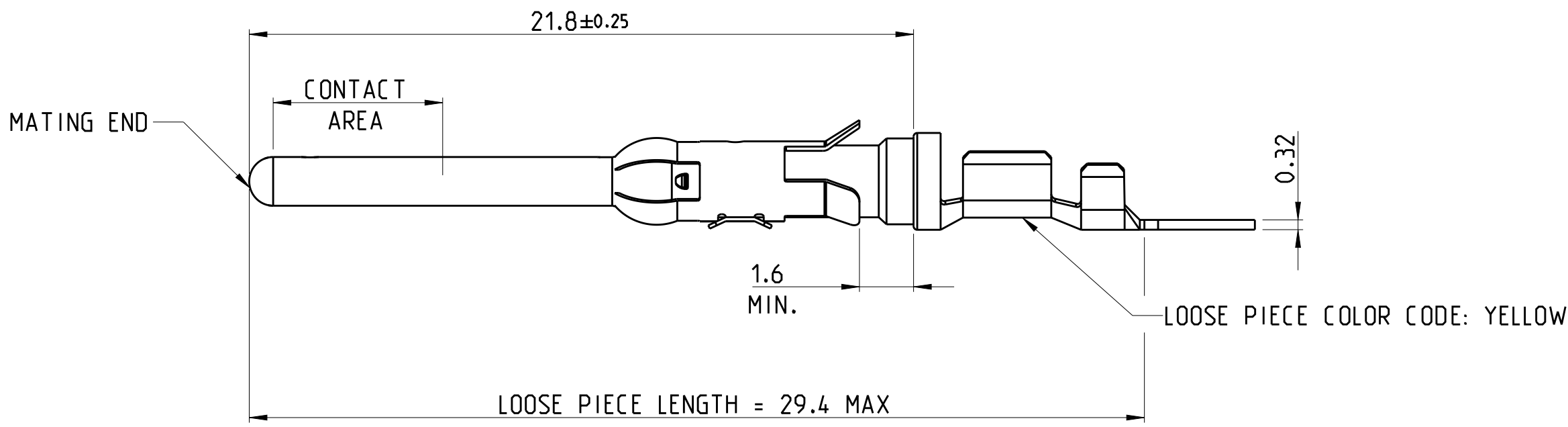
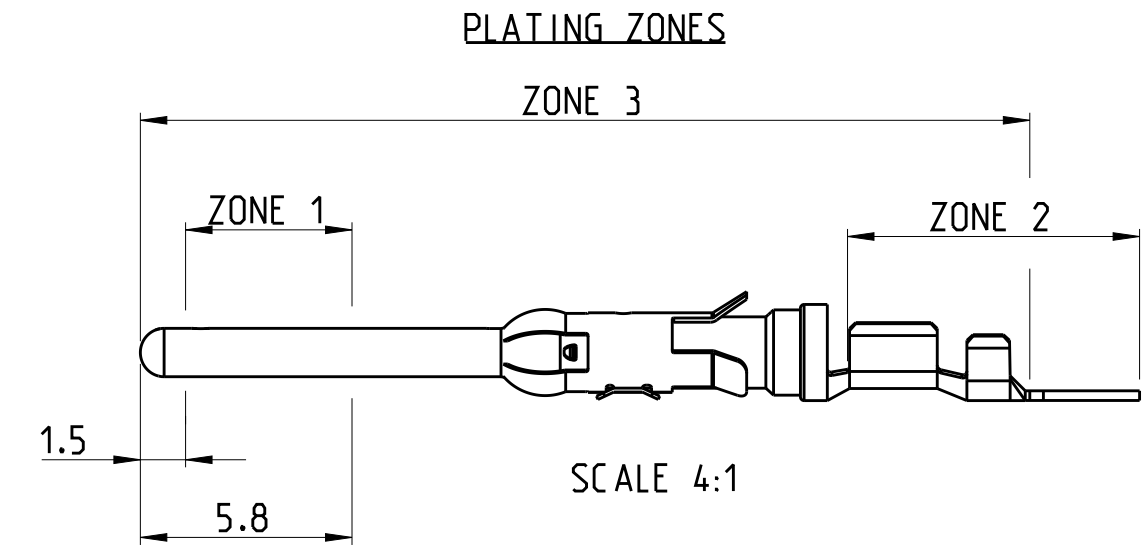
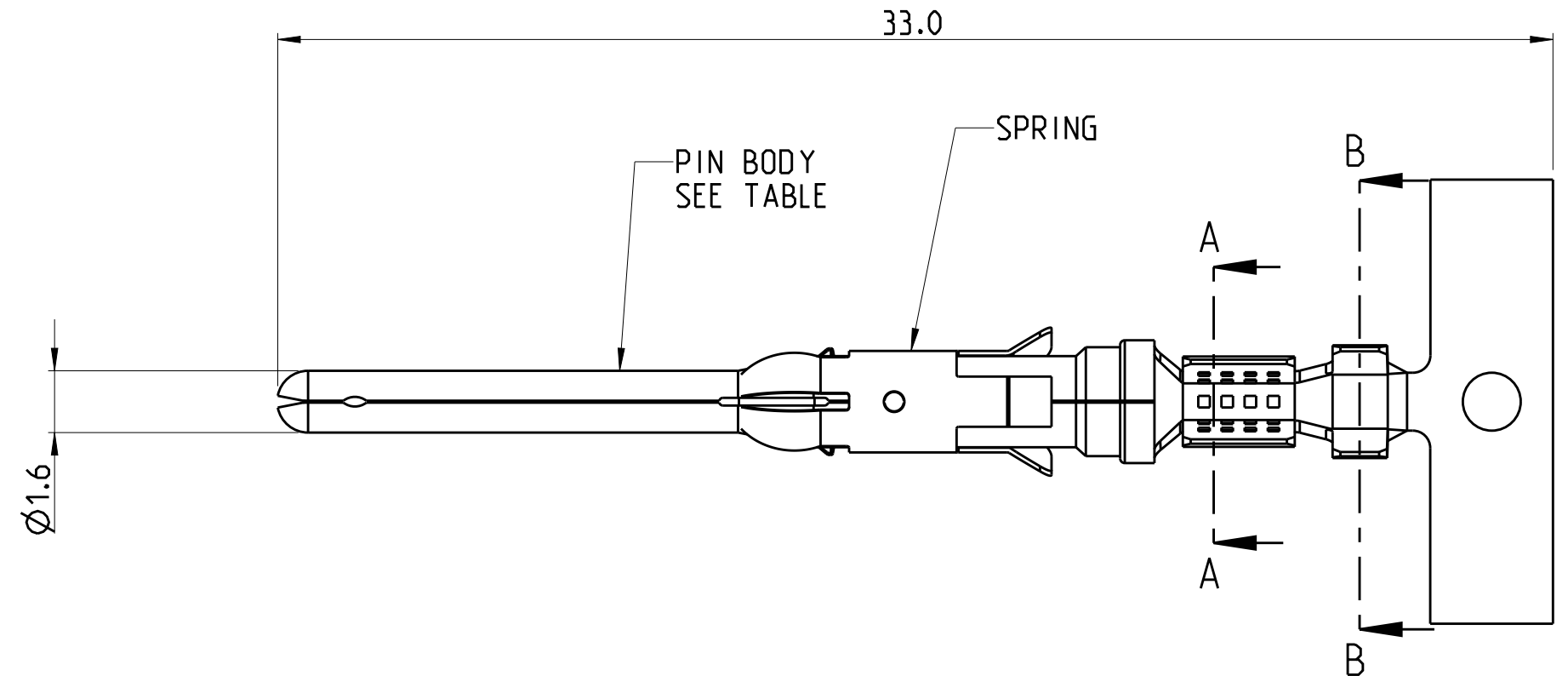


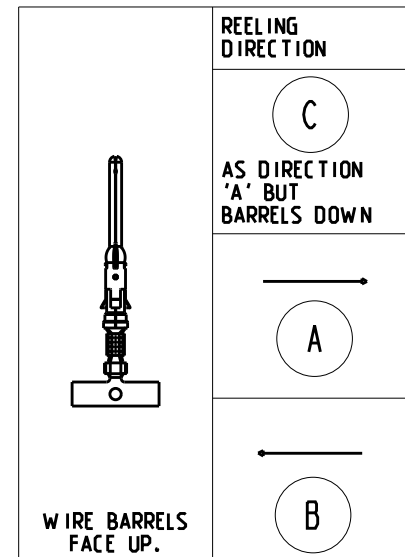
THIS DRAWING IS UNPUBLISHED. RELEASED FOR PUBLICATION 2011  
 © COPYRIGHT 2011 ALL RIGHTS RESERVED.

LOC	DIST	REVISIONS					
A1	-	P	LTR	DESCRIPTION	DATE	DWN	APVD
		H1		COLOR CODE DETAILS ADDED	04 JAN 2014	TJ	JK
		H2		ADDITION OF NOTE 13. TEXT "REF" DIM 2.3 & 2.9 IN ZONE C1 & C2. "29.4 MAX" IN ZONE B3	21 JULY 2015	TJ	PS



- 1 1.27 MICRON MIN NICKEL PLATE OVER ZONE 3.  
0.76 MICRON MIN PRECIOUS METAL PLATE OVER ZONE 1.  
1 MICRON MIN TIN PLATE OVER ZONE 2.  
CONFORMS TO THE REQUIREMENTS OF TE CONNECTIVITY PRODUCT SPEC 108-10042  
BASED ON EIA/ECA-364-1000.01A (CONTROLLED ENVIRONMENT APPLICATIONS)
- 2 1.27 MICRONS MIN NICKEL PLATE OVER ZONE 3.  
0.76 MICRON MIN PRECIOUS METAL ELECTROPLATE OVER ZONE 1.  
0.076 MICRON MIN GOLD FLASH PLATE OVER THE REMAINDER OF ZONE 3.  
CONFORMS TO THE REQUIREMENTS OF TE CONNECTIVITY PRODUCT SPEC 108-10042  
BASED ON EIA/ECA-364-1000.01A (CONTROLLED ENVIRONMENT APPLICATIONS)
- 3 1.54 - 2.54 MICRON SILVER PLATE OVER ZONE 3.
- 4 1.27 MICRON MIN NICKEL PLATE OVER ZONE 3.  
0.76 MICRON MIN GOLD PLATE OVER ZONE 1.  
0.076 MICRON MIN GOLDFLASH PLATE OVER THE REMAINDER OF ZONE 3.
- 5 1.27 MICRON MIN NICKEL PLATE OVER ZONE 3.  
0.76 MICRON MIN GOLD PLATE OVER ZONE 1.  
1 MICRON MIN TIN PLATE OVER ZONE 2.
- 6 HOT-DIPPED PRETIN
- 7 1.27 MICRONS MIN NICKEL PLATE OVER ZONE 3.  
1 - 3 MICRON ELECTRO-TIN PLATE OVER ZONE 3
- 8 0.76 MICRON MIN NICKEL PLATE OVER ZONE 3 PER QQ-N-290  
1.5 - 2.54 MICRON SILVER PLATE OVER ZONE 3.
- 9 SERRATIONS CAN BE MULTILOCK OR TWO SLOTS
- 10. WIRE RANGE: 0.20 - 0.50 mm<sup>2</sup> (24-20 AWG)
- 11. INSULATION RANGE: 1.1 - 1.8 mm (.043-.070) DIA
- 12 SPECIAL REEL WITH 200 PCS FOR REEL-FED HANDTOOL
- 13. OMISSION OF 6 CONTACTS MAX PER REEL OF 5000PCS

A	7	STAINLESS STEEL	PHBR	164163-8	164160-8		
A	1	STAINLESS STEEL	BRASS		164160-7		
B	1	STAINLESS STEEL	BRASS	164163-4	164160-6		
A	2	STAINLESS STEEL	BRASS	164163-2	164160-4		
A	7	STAINLESS STEEL	BRASS	164163-1	164160-3		
B	2	STAINLESS STEEL	BRASS		164160-2		
		REELING	FINISH	SPRING MATERIAL	PIN BODY	LOOSE PIECE	PART NUMBER



THIS DRAWING IS A CONTROLLED DOCUMENT.

DIMENSIONS:	TOLERANCES UNLESS OTHERWISE SPECIFIED:
mm	0 PLC ±0.5
	1 PLC ±0.25
	2 PLC ±0.15
	3 PLC ±0.15
	4 PLC ±
	ANGLES ±2°
	FINISH

MATERIAL SEE TABLE

DWN J. BRIGHT 28/11/11  
 CHK M. GREENER 28/11/11

APVD -

PRODUCT SPEC 108-10042  
 APPLICATION SPEC 114-19000

NAME: TYPE III+, SIZE 16, PIN ASS'Y LONG SERIES, 24-20 AWG, 1.1-1.8mm DIA INSULATION

SIZE A2 CAGE CODE 00779 DRAWING NO. 164160

RESTRICTED TO -

CUSTOMER DRAWING SCALE NTS SHEET 1 OF 1 REV H2