

# Series 804 Push-Pull Mighty Mouse Protective Cover Ordering Information

667-202 and 809-198



Series 804



## 807-198 Plug Cover

See next page for ordering info

**Protect Connectors From Damage** – Machined aluminum covers prevent ingress of contamination and water.

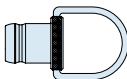
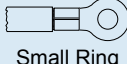
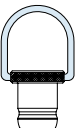
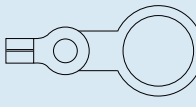
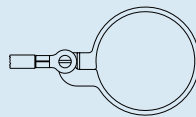
**Stainless Steel Fittings and Rings** – Choose small diameter eye fittings for panel attachment. Larger rings fit under the jam nut or over cable jackets. Split rings can be installed on fully assembled cables.

**Polyurethane-Coated SST Wire Rope** offers high strength, excellent abrasion resistance and good flexibility. Or, choose Teflon® jacket for high temperature exposure.

**Braided Nylon Rope** provides excellent flexibility and good abrasion resistance, and can be ordered with slip knot fittings for easy installation on any size cable.

## HOW TO ORDER 667-202 RECEPTACLE COVERS

Sample Part Number

| 667-202   | M  | 9  | H   | 6   | -14  | R  |   |
|---|--|--|---|---|--|--|---|
| Series  | Shell Material / Finish  | Shell Size   | Attachment Type   | Attachment Length in Inches   | Ring Type and Dia. Code  | Pull Ring Option   |   |
|  <p><b>667-202</b><br/>Protective Cover for use with Receptacle Connectors</p> | <p><b>C</b><br/>Aluminum / Black Anodize (Non-Conductive) RoHS Compliant</p> <p><b>M</b><br/>Aluminum / Electroless Nickel RoHS Compliant</p> <p><b>NF</b><br/>Aluminum / Cadmium with Olive Drab Chromate</p> <p><b>ZN</b><br/>Aluminum / Zinc-Nickel with Olive Drab Chromate</p> <p><b>ZNU</b><br/>Aluminum / Zinc-Nickel with Black Chromate</p> <p><b>MT</b><br/>Aluminum / Nickel-PTFE RoHS Compliant</p> <p><b>Z1</b><br/>Stainless Steel / Passivated RoHS Compliant</p> | <p><b>5</b></p> <p><b>6</b></p> <p><b>7</b></p> <p><b>8</b></p> <p><b>9</b></p> <p><b>10</b></p> <p><b>12</b></p> <p><b>14</b></p> | <p><b>G</b><br/>Nylon Rope</p> <p><b>H</b><br/>SST Wire Rope, Teflon® Jacket</p> <p><b>N</b><br/>No Attachment</p> <p><b>S</b><br/>SST Sash Chain</p> <p><b>SK</b><br/>Nylon Rope With Slip Knot</p> <p><b>T</b><br/>SST Wire Rope, No Jacket</p> <p><b>U</b><br/>SST Wire Rope, Polyurethane Jacket</p> <p>"SST" = Stainless Steel</p> | <p>Omit for attachment Type <b>N</b> (No Attachment)</p> <p><b>Example</b></p> <p>"-6" equals six inch length</p> | Omit for attachment Types <b>N</b> (No Attachment) and <b>SK</b> (Slip Knot)                           | Omit for None  |   |
|   |  |  |   |   |  <p>Small Ring</p> | <p><b>-01</b> – .126 (3.20) I.D.</p> <p><b>-02</b> – .145 (3.68) I.D.</p> <p><b>-04</b> – .188 (4.78) I.D.</p> <p><b>-06</b> – .197 (5.00) I.D.</p>  | <p><b>R</b><br/>Supplied With Pull Ring</p>  |
|   |  |  |   |   |  <p>Large Ring</p> | <p><b>-14</b> – .385 (9.78) I.D.</p> <p><b>-15</b> – .445 (11.30) I.D.</p> <p><b>-16</b> – .570 (14.48) I.D.</p> <p><b>-17</b> – .635 (16.13) I.D.</p> <p><b>-18</b> – .695 (17.65) I.D.</p> <p><b>-19</b> – .885 (22.48) I.D.</p> <p><b>-20</b> – 1.070 (27.17) I.D.</p> <p><b>-21</b> – 1.135 (28.83) I.D.</p>   |   |
|   |  |  |   |   |  <p>Split Ring</p> | <p><b>-50</b> – .420 (10.67) I.D.</p> <p><b>-52</b> – .480 (12.19) I.D.</p> <p><b>-54</b> – .635 (16.13) I.D.</p> <p><b>-56</b> – .745 (18.92) I.D.</p> <p><b>-58</b> – .885 (22.48) I.D.</p> <p><b>-60</b> – 1.010 (25.65) I.D.</p> <p><b>-64</b> – 1.125 (28.58) I.D.</p> <p><b>-68</b> – 1.345 (34.16) I.D.</p> |   |

Dimensions in inches (millimeters) and are subject to change without notice.

© 2010 Glenair, Inc.

CAGE Code 06324

Printed in U.S.A.

GLENAIR, INC. • 1211 AIR WAY • GLENDALE, CA 91201-2497 • 818-247-6000 • FAX 818-500-9912

www.glenair.com

G-25

E-Mail: sales@glenair.com

Rev. 01-JANUARY-2010

#### HOW TO ORDER 809-198 PLUG COVERS

| Sample Part Number  |  |   |                                      |  |  |                    |   |  |
|---|--|---|--------------------------------------|--|--|--------------------|---|--|
| 809-198   | M  | 12                                      | H                                    | 6  | -14  |                    |   |  |
| Series  | Shell Material / Finish  | Shell Size                              | Attachment Type                      | Attachment Length in Inches  | Ring Type and Dia. Code  | Shell Key Position |   |  |
|  <p><b>809-198</b><br/>Protective Cover for use with Plug Connectors</p> | <b>C</b><br>Aluminum / Black Anodize<br>(Non-Conductive)<br>RoHS Compliant | 5<br>6<br>7<br>8<br>9<br>10<br>12<br>14 | <b>G</b><br>Nylon Rope               | Omit for attachment Type <b>N</b> (No Attachment)<br><b>Example</b><br>"-6" equals six inch length | Omit for attachment Types <b>N</b> (No Attachment) and <b>SK</b> (Slip Knot) |                    | <b>Omit</b><br>for Single Master Key<br><br><b>A</b><br>Pos. A (Normal)<br><br><b>B</b><br>Pos. B<br><br><b>C</b><br>Pos. C<br><br><b>D</b><br>Pos. D |  |
|   | <b>M</b><br>Aluminum / Electroless Nickel<br>RoHS Compliant                |   | <b>N</b><br>No Attachment            |  | <b>H</b><br>SST Wire Rope, Teflon® Jacket                                    | <b>Small Ring</b>  |   | <b>-01</b> - .126 (3.20) I.D.<br><b>-02</b> - .145 (3.68) I.D.<br><b>-04</b> - .188 (4.78) I.D.<br><b>-06</b> - .197 (5.00) I.D.   |
|   | <b>NF</b><br>Aluminum / Cadmium with Olive Drab Chromate                   |   | <b>S</b><br>SST Sash Chain           |  | <b>SK</b><br>Nylon Rope With Slip Knot                                       | <b>Large Ring</b>  |   | <b>-08</b> - .510 (13.0) I.D.<br><b>-10</b> - .766 (19.4) I.D.<br><b>-12</b> - 1.015 (25.8) I.D.<br><b>-14</b> - .385 (9.78) I.D.<br><b>-15</b> - .445 (11.30) I.D.<br><b>-16</b> - .570 (14.48) I.D.<br><b>-17</b> - .635 (16.13) I.D.<br><b>-18</b> - .695 (17.65) I.D.<br><b>-19</b> - .885 (22.48) I.D.<br><b>-20</b> - 1.070 (27.17) I.D.<br><b>-21</b> - 1.135 (28.83) I.D.<br><b>-25</b> - .820 (20.8) I.D. |
|   | <b>ZN</b><br>Aluminum / Zinc-Nickel with Olive Drab Chromate               |   | <b>T</b><br>SST Wire Rope, No Jacket |  | <b>U</b><br>SST Wire Rope, Polyurethane Jacket                               | <b>Split Ring</b>  |   | <b>-50</b> - .420 (10.67) I.D.<br><b>-52</b> - .480 (12.19) I.D.<br><b>-54</b> - .635 (16.13) I.D.<br><b>-56</b> - .745 (18.92) I.D.<br><b>-58</b> - .885 (22.48) I.D.<br><b>-60</b> - 1.010 (25.65) I.D.<br><b>-64</b> - 1.125 (28.58) I.D.<br><b>-68</b> - 1.345 (34.16) I.D.  |
|   | <b>ZNU</b><br>Aluminum / Zinc-Nickel with Black Chromate                   |   | <b>"SST"</b> =<br>Stainless Steel    |  |  |                    |   |  |
|   | <b>MT</b><br>Aluminum / Nickel-PTFE<br>RoHS Compliant                      |   |                                      |  |  |                    |   |  |
|   | <b>Z1</b><br>Stainless Steel / Passivated<br>RoHS Compliant                |   |                                      |  |  |                    |   |  |

Dimensions in inches (millimeters) and are subject to change without notice.

# Series 804 Push-Pull Mighty Mouse Protective Receptacle Cover Information

## 667-202



### Attaching a 667-202 Receptacle Cover to a Front Panel Mounted Jam Nut Receptacle



| Solid Ring | Dia. Code | Shell Size | Conn. Thread Ref | Ring I.D. |      | Ring O.D. |      |
|------------|-----------|------------|------------------|-----------|------|-----------|------|
|            |           |            |                  | In.       | mm.  | In.       | mm.  |
|            | 08        | 5          | .5000-32         | .510      | 13.0 | .620      | 15.7 |
|            | 16        | 6          | .5625-28         | .570      | 14.5 | .690      | 17.5 |
|            | 18        | 7, 8       | .6875-28         | .695      | 17.7 | .820      | 20.8 |
|            | 10        | 9          | .7500-28         | .766      | 19.4 | .890      | 22.6 |
|            | 25        | 10         | .8125-28         | .820      | 20.8 | .940      | 23.9 |
|            | 12        | 12         | 1.000-28         | 1.015     | 25.8 | 1.200     | 30.5 |
|            | 20        | 14         | 1.062-20         | 1.070     | 27.2 | 1.200     | 30.5 |
|            | 21        | 15         | 1.125-28         | 1.135     | 28.8 | 1.250     | 31.8 |

### Attaching a 667-202 Receptacle Cover to a Rear Panel Mounted Jam Nut Receptacle



| Solid Ring | Dia. Code | Shell Size | Conn. Thread Ref | Ring I.D. |       | Ring O.D. |       |
|------------|-----------|------------|------------------|-----------|-------|-----------|-------|
|            |           |            |                  | In.       | mm.   | In.       | mm.   |
|            | 15        | 5          | .4375-32         | ±.010     | ±0.25 | ±.015     | ±0.38 |
|            | 08        | 6          | .5000-32         | .510      | 13.0  | .620      | 15.7  |
|            | 17        | 7, 8       | .6250-28         | .635      | 16.1  | .760      | 19.3  |
|            | 18        | 9          | .6875-28         | .695      | 17.7  | .820      | 20.8  |
|            | 10        | 10         | .7500-28         | .766      | 19.4  | .890      | 22.6  |
|            | 19        | 12         | .8750-28         | .885      | 22.5  | 1.010     | 25.7  |
|            | 12        | 14         | 1.000-28         | 1.015     | 25.8  | 1.200     | 30.5  |

### Attaching a 667-202 Receptacle Cover to a Panel With a Screw



| Small Ring for Attaching Receptacle Covers to a Panel with a Screw | Dia. Code | Screw Size | Ring I.D. |       | Ring O.D. |      |
|--|-----------|------------|-----------|-------|-----------|------|
|  |           |            | In.       | mm.   | In.       | mm.  |
|  | 01        | #4, M3     | ±.005     | ±0.13 | Max.      | Max. |
|  | 02        | #6         | .126      | 3.20  | .31       | 7.9  |
|  | 04        | #8, M4     | .145      | 3.68  | .31       | 7.9  |
|  | 06        | #10        | .188      | 4.78  | .31       | 7.9  |

Dimensions in inches (millimeters) and are subject to change without notice.

CAGE Code 06324

Printed in U.S.A.

© 2010 Glenair, Inc.

GLENAIR, INC. • 1211 AIR WAY • GLENDALE, CA 91201-2497 • 818-247-6000 • FAX 818-500-9912

www.glenair.com

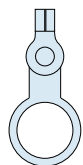
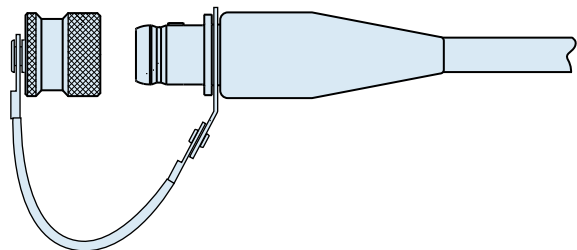
G-27

E-Mail: sales@glenair.com

Rev. 05-MARCH-2011

## Attaching a Cover to a Cable Assembly With a Solid Ring

Install cover onto the back of the connector before overmolding or backshell installation.

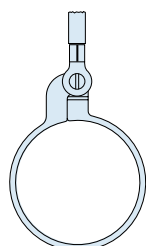
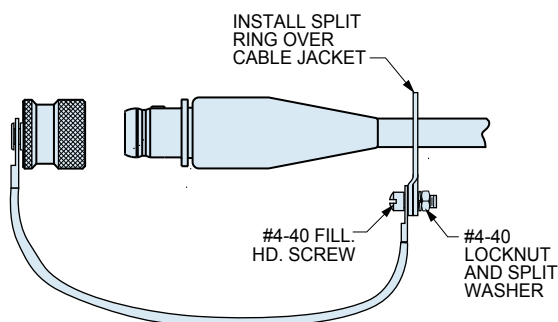


Solid Ring

| Dia. Code | Shell Size | Ring I.D. |        | Ring O.D. |        |
|-----------|------------|-----------|--------|-----------|--------|
|           |            | In.       | mm.    | In.       | mm.    |
| <b>14</b> | 5, 6       | ± .010    | ± 0.25 | ± .015    | ± 0.38 |
| <b>15</b> | 7          | .385      | 9.78   | .510      | 12.95  |
| <b>16</b> | 8, 9       | .445      | 11.30  | .565      | 14.35  |
| <b>18</b> | 10, 12     | .570      | 14.48  | .685      | 17.40  |
| <b>20</b> | 14         | .695      | 17.65  | .820      | 20.82  |
|           |            | 1.070     | 27.17  | 1.195     | 30.35  |

## Attaching a Cover to a Cable Using a Split Ring or Slip Knot

Split rings can be installed onto finished cables.

Large Split Ring for  
Attaching Covers to  
Cables

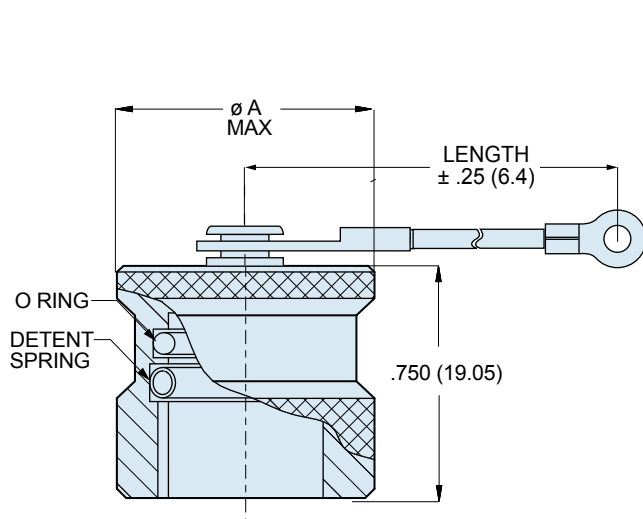
| Dia. Code | Max. Cable Dia. (in.) | Ring Diameter |       |         |       |
|-----------|-----------------------|---------------|-------|---------|-------|
|           |                       | Min. ID       |       | Max. OD |       |
|           |                       | In.           | mm.   | In.     | mm.   |
| <b>50</b> | .410                  | .420          | 10.67 | .580    | 14.73 |
| <b>52</b> | .470                  | .480          | 12.19 | .640    | 16.26 |
| <b>54</b> | .625                  | .635          | 16.13 | .796    | 20.22 |
| <b>56</b> | .735                  | .745          | 18.92 | .905    | 22.99 |
| <b>58</b> | .875                  | .885          | 22.48 | 1.046   | 26.57 |
| <b>60</b> | 1.000                 | 1.010         | 25.65 | 1.171   | 29.74 |
| <b>64</b> | 1.115                 | 1.125         | 28.58 | 1.285   | 32.64 |
| <b>68</b> | 1.335                 | 1.345         | 34.16 | 1.505   | 38.23 |

Dimensions in inches (millimeters) and are subject to change without notice.

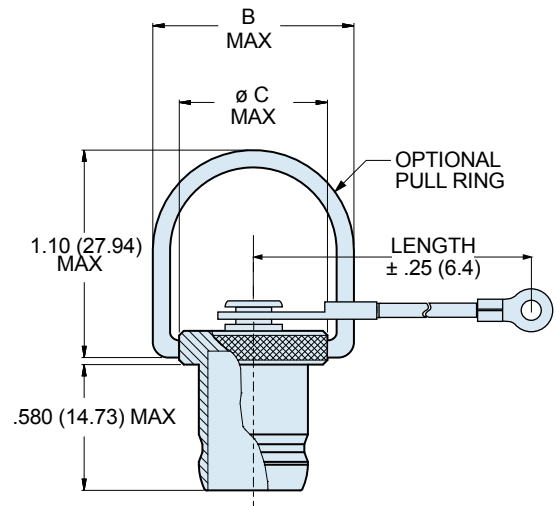
# Series 804 Push-Pull Mighty Mouse Protective Plug and Receptacle Cover Dimensions 809-198 and 667-202



Series 804



**809-198 Plug Cover**



**667-202 Receptacle Cover**

| Shell Size | Ø A Max. |       | Ø B Max. |       | Ø C Max. |       |
|------------|----------|-------|----------|-------|----------|-------|
|            | In       | mm    | In       | mm    | In       | mm    |
| 5          | .496     | 12.60 | .740     | 18.80 | .490     | 12.45 |
| 6          | .540     | 13.72 | .740     | 18.80 | .490     | 12.45 |
| 7          | .645     | 16.38 | .820     | 20.83 | .570     | 14.48 |
| 8          | .665     | 16.89 | .870     | 22.10 | .619     | 15.72 |
| 9          | .720     | 18.29 | .920     | 23.37 | .670     | 17.02 |
| 10         | .790     | 20.07 | 1.030    | 26.16 | .783     | 19.89 |
| 12         | .915     | 23.24 | 1.110    | 28.19 | .860     | 21.84 |
| 14         | 1.040    | 26.42 | 1.230    | 31.24 | .980     | 24.89 |

## MATERIALS AND FINISHES

|                |                                   |
|----------------|-----------------------------------|
| Cover          | Aluminum alloy or stainless steel |
| O-ring         | Fluorosilicone rubber             |
| Wire, Hardware | Stainless steel, passivated       |

## LANYARD OPTIONS

|  |  |
|--|--|
| <br><b>Nylon Rope</b>                                      | -55° to +100°C., black, very flexible, very good abrasion resistance, good resistance to fuels, .120" (3mm) diameter   |
| <br><b>Polyurethane Coated Wire Rope</b>                   | Black polyurethane over stainless steel rope, -55° to +125°C., very flexible, excellent abrasion resistance, excellent resistance to fuels, .080" (2mm) diameter |
| <br><b>Teflon® Jacketed Wire Rope</b>                      | Translucent FEP jacket over stainless steel, -55° to +200°C., fair flexibility, good abrasion resistance, .100" diameter   |
| <br><b>Sash Chain</b>                                      | Stainless steel, #8 chain, .240" (6mm)   |
| <br><b>Slip Knot (SK)</b><br>for Attaching Covers to Cable | 55° to +100°C., black, very flexible, very good abrasion resistance, good resistance to fuels, .120" (3mm) diameter. Length includes .5" (13mm) diameter loop.   |

Dimensions in inches (millimeters) and are subject to change without notice.

© 2010 Glenair, Inc.

CAGE Code 06324

Printed in U.S.A.

**GLENAIR, INC. • 1211 AIR WAY • GLENDALE, CA 91201-2497 • 818-247-6000 • FAX 818-500-9912**

www.glenair.com

**G-29**

E-Mail: sales@glenair.com

Rev. 01-JANUARY-2010