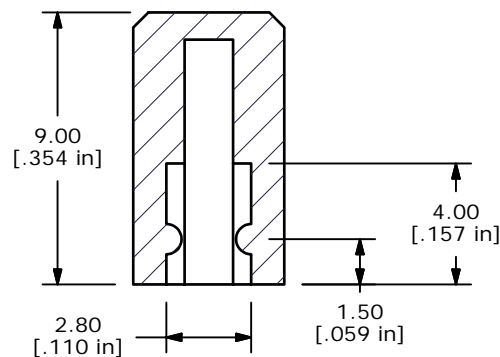
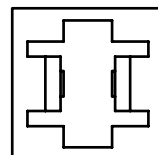


ISOMETRIC



SECTION A-A
SCALE 4 : 1



NOTES:

1. ALL DIMENSIONS IN MM [INCH]
2. GENERAL TOLERANCE: X.XX=±0.15
- ▲ 3. MATERIAL: ABS, UL94V0
- ▲ 4. COLOR: WHITE
5. ▲ DENOTES CRITICAL PARAMETER.
6. 2002/95/EC (ROHS) COMPLIANT.

E-SWITCH®

A	15960	RELEASED FOR PRODUCTION	4/13/06	CT
REV	PCR NO	DESCRIPTION	DATE	BY

TITLE 1SWHT				
SCALE 4:1	DATE 4/13/2006	DR CT	DWG Q800311	REV A

THE INFORMATION CONTAINED IN THIS DOCUMENT IS PROPRIETARY TO E-SWITCH AND IS NOT TO BE COPIED OR TRANSFERRED