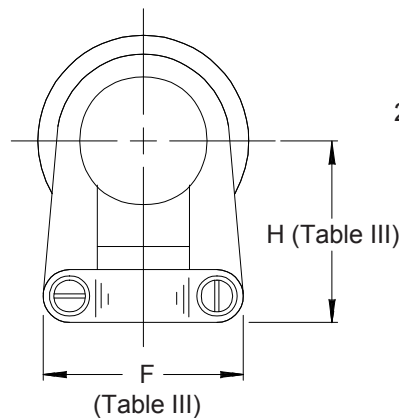
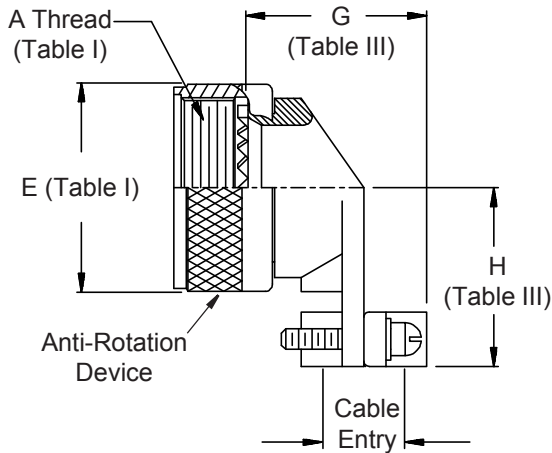
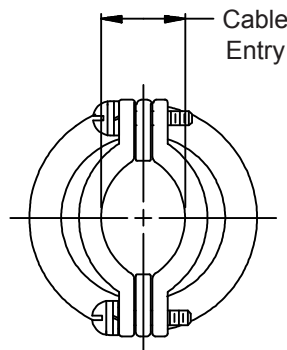
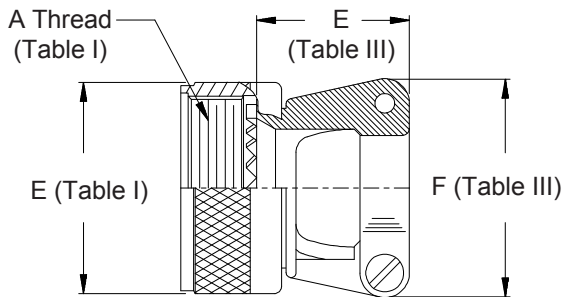
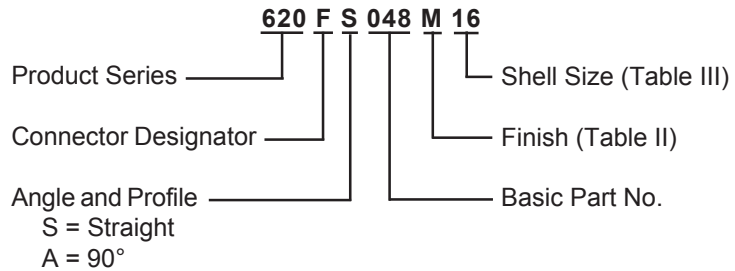


**620-048**  
**Strain Relief**  
**Self-Locking Rotatable Coupling - Straight and 90°**



**CONNECTOR  
DESIGNATOR  
F-H-L-S**

**SELF-LOCKING  
ROTATABLE  
COUPLING**



**See inside back cover fold-out or pages 13 and 14 for Tables I and II.**

1. Cable Entry is defined as the accommodation entry for the wire bundle or cable. Dimensions are not intended for inspection criteria.
2. Metric dimensions (mm) are indicated in parentheses.

**TABLE III: CABLE ENTRY**

Shell Size	E Max	F Max	G Max	H Max	Cable Entry	
					Closed	Open
08/09	.830 (21.1)	.850 (21.6)	.704 (17.9)	.808 (20.5)	.098 (2.5)	.234 (5.9)
10/11	.900 (22.9)	.900 (22.9)	.786 (20.0)	.867 (22.0)	.153 (3.9)	.234 (5.9)
12/13	.950 (24.1)	1.100 (27.9)	.979 (24.9)	.929 (23.6)	.190 (4.8)	.328 (8.3)
14/15	.950 (24.1)	1.150 (29.2)	1.039 (26.4)	.992 (25.2)	.260 (6.6)	.457 (11.6)
16/17	.990 (25.2)	1.300 (33.0)	1.188 (30.2)	1.056 (26.8)	.283 (7.2)	.614 (15.6)
18/19	1.070 (27.2)	1.500 (38.1)	1.300 (33.0)	1.233 (31.3)	.325 (8.3)	.634 (16.1)
20/21	1.120 (28.5)	1.600 (40.6)	1.425 (36.2)	1.296 (32.9)	.343 (8.7)	.698 (17.7)
22/23	1.240 (31.5)	1.700 (43.2)	1.550 (39.4)	1.358 (34.5)	.381 (9.7)	.823 (20.9)
24/25	1.270 (32.3)	1.800 (45.7)	1.675 (42.5)	1.420 (36.1)	.418 (10.6)	.853 (21.7)