

MICRO SWITCH

A DIVISION OF MINNEAPOLIS-HONEYWELL REGULATOR COMPANY
MINNEAPOLIS, MINNESOTA
FED. MFR. CODE 91929

SWITCH-ENCLOSED

CATALOG LISTING
DTE6-2RQ81

M DTE6-2RQ81

DRAWING NUMBER
8

ISSUE
8

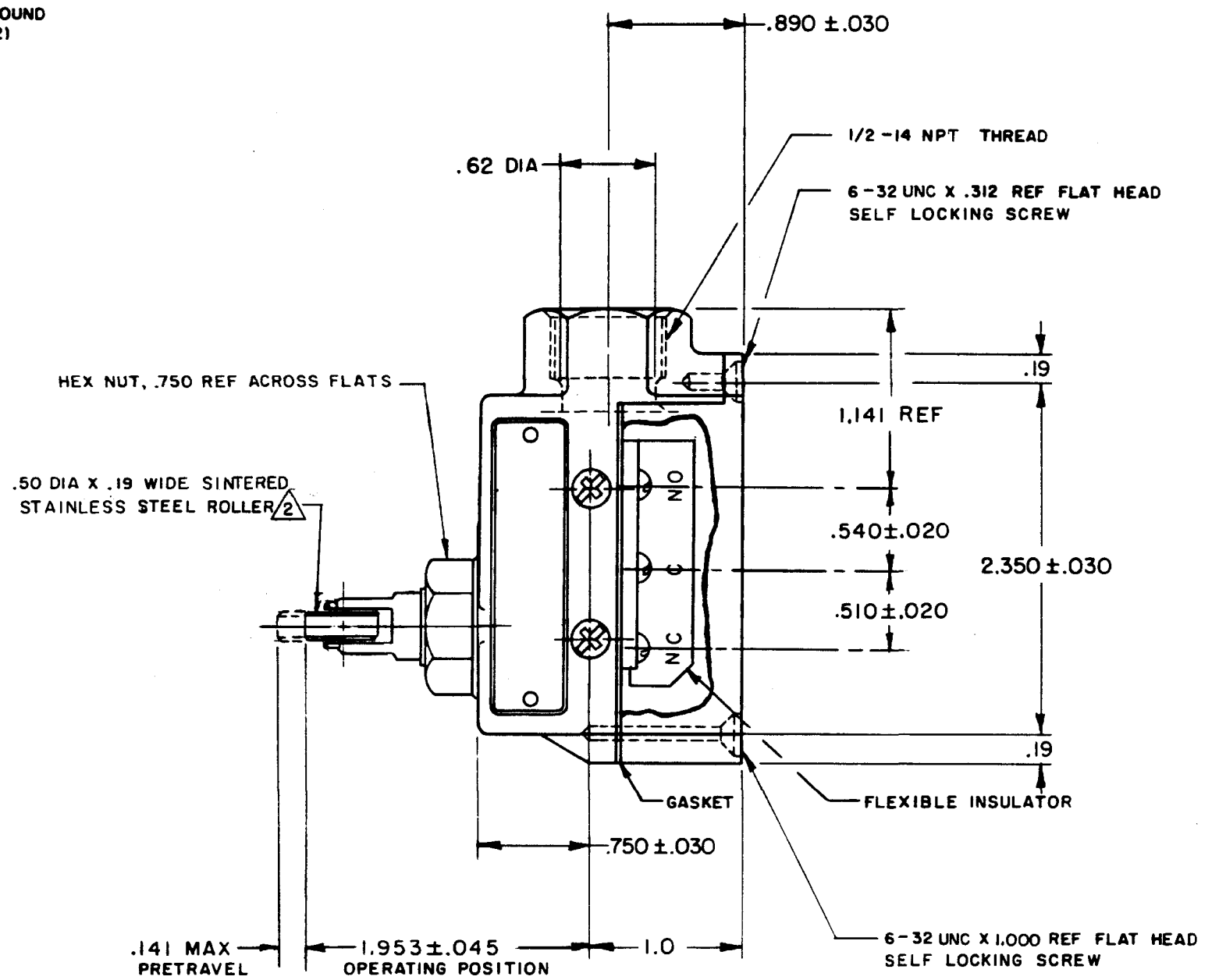
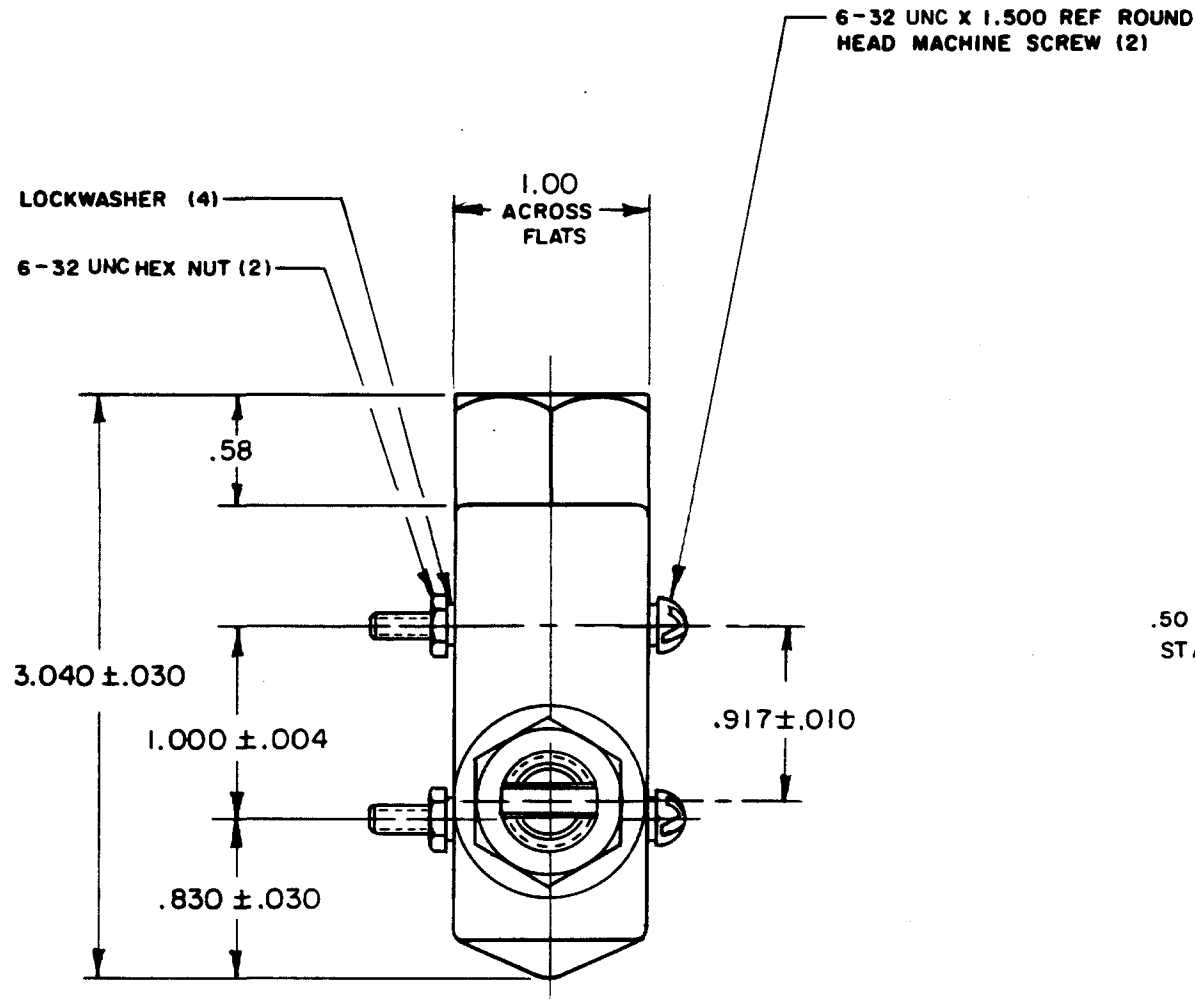
CHECK NO.
BP

RELEASE NO.
14FEB06

REPLACES
PR-110

REVISIONS


A	CO	53191-D	KJS	MAR 84
B	CO	55989	CJH	NOV 84
C	CO	54958	TSK	FEB 85
D	CO	72661	DAW	SEP 92
E	CO	7426 C	SA D	JUL 94
F	00	16894	KRB	NOV 05
G	00	18962	VKR	14FEB06



NOTE -

- 1 - 4-40 UNC X .125 REF TERMINAL SCREW AND LOCKWASHER (6)
- 2 - ROLLER MAY BE SET AT ANY POSITION AROUND AXIS OF PLUNGER
- 3 - SEAL RATING: NEMA 1 IP40

THIS DRAWING COVERS A PROPRIETARY ITEM AND IS THE PROPERTY OF MICRO SWITCH, A DIVISION OF MINNEAPOLIS-HONEYWELL REGULATOR CO. THIS DRAWING IS NOT TO BE COPIED OR USED WITHOUT THE APPROVAL OF MICRO SWITCH.

CHARACTERISTICS	ELECTRICAL DATA	SCALE FULL
OPERATING FORCE ----- 1 1/2 - 3 LB	CONTACT ARRANGEMENT D P D T	DO NOT SCALE PRINT
RELEASE FORCE ----- 8 OZ MIN	-L59- 10 A-125 OR 250 VAC 0.3 A-125 VDC ; 0.15 A-250 VDC 	UNLESS OTHERWISE SPECIFIED DIMENSIONS ARE IN INCHES
DIFFERENTIAL TRAVEL ----- .060 MAX		TOLERANCES ARE:
OVERTRAVEL ----- .125 MIN		ONE PLACE (.0) ±.030
SWITCH-BASIC REPLACEMENT- DT-2R3-A7		TWO PLACE (.00) ±.015
		THREE PLACE (.000) ±.005
		ANGLES ±
		WEIGHT .56 LB

FO-80378-003

DRAWN

MBF 22 FEB 68

CHECK

LSD

CHECK

23 FEB 68

CHECK

23 FEB 68

CHECK

23 FEB 68

CHECK

23 FEB 68

CHECK

23 FEB 68

CHECK

23 FEB 68

CHECK

23 FEB 68

CHECK

23 FEB 68

CHECK

23 FEB 68

CHECK

23 FEB 68

CHECK

23 FEB 68

CHECK

23 FEB 68

CHECK

23 FEB 68

CHECK

23 FEB 68

CHECK

23 FEB 68

CHECK

23 FEB 68

CHECK

23 FEB 68

CHECK

23 FEB 68

CHECK

23 FEB 68

CHECK

23 FEB 68

CHECK

23 FEB 68

CHECK

23 FEB 68

CHECK

23 FEB 68

CHECK

23 FEB 68

CHECK

23 FEB 68

CHECK

23 FEB 68

CHECK

23 FEB 68

CHECK

23 FEB 68

CHECK