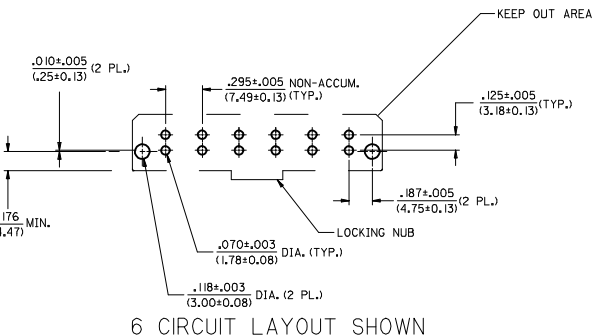


SEE SHEET 2 AND 3 FOR ITEM NUMBER CHART

RECOMMENDED P.C. BOARD LAYOUT FOR VERTICAL HEADERS

SCALE 2:1



6 CIRCUIT LAYOUT SHOWN

NOTES:

- INSULATOR MATERIAL (SEE CHART):
A = 30% GLASS FILLED 46 NYLON, 94V-0, COLOR: BLACK.
TERMINAL MATERIAL: BRASS
- TERMINAL FINISH: 60 MICRINCH (1.5 MICROMETER) MINIMUM TIN OVER 50 MICRINCH (1.25 MICROMETER) MINIMUM NICKEL.
- PRODUCT SPECIFICATION: PSX-4441-9999.
- PACKAGING: SEE CHART.
- THESE HEADERS MATE WITH 43179, 43335, OR 44441 RECEPTACLE HOUSINGS.
- SEE SHEETS 1, 2 AND 3, FOR VERTICAL HEADER ASSEMBLIES AND THEIR RESPECTIVE PART NUMBERS.
- SEE SHEETS 4, 5 AND 6, FOR RIGHT ANGLE HEADER ASSEMBLIES AND THEIR RESPECTIVE PART NUMBERS.
- DIMENSIONS ARE FOR REFERENCE ONLY, UNLESS INDICATED OTHERWISE.

SOLDER TAIL	DIM. "A" ±.020/(0,51)
SHORT	.150/(3,81)
LONG	.210/(5,33)

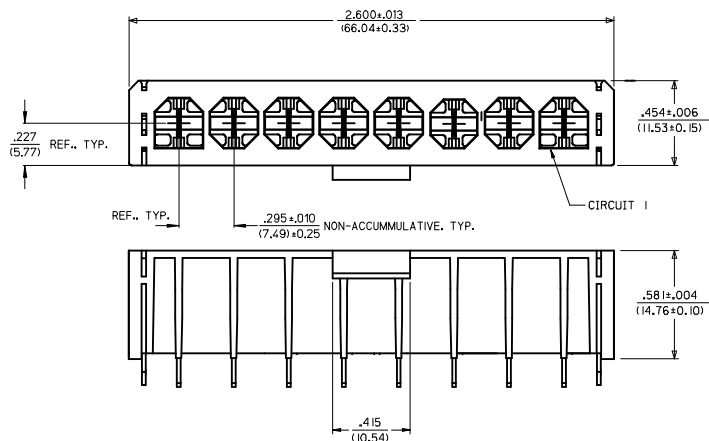
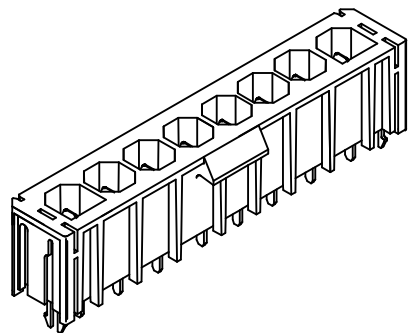
BOARD LOCK	DIM. "B" ±.004/(0,15)
.062	.070/(1,78)
.094	.102/(2,59)
.125	.133/(3,38)

ADD 43160-9001 W/VID EC NO: UCP2015-5276 DRAWN/MONTI 2015/06/12 CHKD/BANDERSON 2015/06/12 APPR/FSMITH 2015/06/15 REV DESCRIPTION	QUALITY SYMBOLS ▽=0 ▽=0 ▽=0	GENERAL TOLERANCES (UNLESS SPECIFIED) mm INCH 4 PLACES ±.005 ±.005 3 PLACES ±.01 ±.01 2 PLACES ±.013 ±.01 1 PLACE ±.025 ±.01 0 PLACE ±.05 ±.01 ANGULAR ±1/2° DRAFT WHERE APPLICABLE MUST REMAIN WITHIN DIMENSIONS	DIMENSION STYLE IN/MM SCALE 3:1 DESIGN UNITS INCH THIRD ANGLE PROJECTION	DRAWN BY DATE GC 11/30/195 CHECKED BY DATE KBP 11/30/195 APPROVED BY DATE FSMITH 2015/06/15	MATERIAL NO. SEE CHART DOCUMENT NO. SDA-43160-**** SHEET NO. 1 OF 6
	TITLE SABRE HEADER, ASSY RA & VERT, 2-6 & 8 CIR. .125/(3,18)X .020/(0,51)			moxle logo	

6	J
5	J
4	J
3	J
2	J
1	J
SHT. REV.	

	20	19	18	17	16	15	14	13	12	11	10	9	8	7	6	5	4	3	2	1					
M	VERTICAL HEADER ASSEMBLY ITEM NO.	PART CHARACTERISTICS FOR VERTICAL HEADER				PACKAGING SPECIFICATIONS	VERTICAL HEADER ASSEMBLY ITEM NO.	PART CHARACTERISTICS FOR VERTICAL HEADER				PACKAGING SPECIFICATIONS	VERTICAL HEADER ASSEMBLY ITEM NO.	PART CHARACTERISTICS FOR VERTICAL HEADER				PACKAGING SPECIFICATIONS							
		CIRCUIT SIZE	HSG. MAT'L (SEE NOTE 1)	SOLDER TAIL	BOARD LOCK			CIRCUIT SIZE	HSG. MAT'L (SEE NOTE 1)	SOLDER TAIL	BOARD LOCK			CIRCUIT SIZE	HSG. MAT'L (SEE NOTE 1)	SOLDER TAIL	BOARD LOCK								
		43160-0102	2	A	SHORT			N/A	PK-43160-0010	43160-0104	4			A	SHORT	N/A	PK-43160-0010			43160-0106	6	A	SHORT	N/A	PK-43160-0010
		43160-0302	2	A	LONG			N/A	PK-43789-001	43160-0304	4			A	LONG	N/A	PK-43789-001			43160-0306	6	A	LONG	N/A	PK-43789-001
		43160-2102	2	A	SHORT			.062	PK-43789-001	43160-2104	4			A	SHORT	.062	PK-43789-001			43160-2106	6	A	SHORT	.062	PK-43789-001
	L	43160-4102	2	A	SHORT	.094	PK-43789-001	43160-4104	4	A	SHORT	.094	PK-43789-001	43160-4106	6	A	SHORT	.094		PK-43789-001					
		43160-4302	2	A	LONG	.094	PK-43789-001	43160-4304	4	A	LONG	.094	PK-43789-001	43160-4306	6	A	LONG	.094		PK-43789-001					
		43160-6302	2	A	LONG	.125	PK-43789-001	43160-6304	4	A	LONG	.125	PK-43789-001	43160-6306	6	A	LONG	.125		PK-43789-001					
		43160-0103	3	A	SHORT	N/A	PK-43160-0010	43160-0105	5	A	SHORT	N/A	PK-43160-0010												
		43160-0303	3	A	LONG	N/A	PK-43789-001	43160-0305	5	A	LONG	N/A	PK-43789-001												
K	43160-2103	3	A	SHORT	.062	PK-43789-001	43160-2105	5	A	SHORT	.062	PK-43789-001													
	43160-4103	3	A	SHORT	.094	PK-43789-001	43160-4105	5	A	SHORT	.094	PK-43789-001													
	43160-4303	3	A	LONG	.094	PK-43789-001	43160-4305	5	A	LONG	.094	PK-43789-001													
J	43160-6303	3	A	LONG	.125	PK-43789-001	43160-6305	5	A	LONG	.125	PK-43789-001													

SEE SHEET 1 IEC NO: UCP2015-5276 DRAWN: MONT CHECKED: BANDERSON APPR: FSMTH	QUALITY SYMBOLS ▽=0 ▽=0 ▽=0	GENERAL TOLERANCES (UNLESS SPECIFIED)		DIMENSION STYLE		SCALE	DESIGN UNITS	THIRD ANGLE PROJECTION	
				IN/MM		1:1	INCH		
				DRAWN BY DATE		CHECKED BY DATE		TITLE	
				KBP 11/30/95		APPROVED BY DATE		SABRE HEADER, ASSY RA & VERT, 2-6 & 8 CIR. .125/(3.18)X .020/(0.51)	
		ANGULAR ±1/2°		MATERIAL NO.		DOCUMENT NO.		SHEET NO.	
		DRAFT WHERE APPLICABLE MUST REMAIN WITHIN DIMENSIONS		SEE CHART		SDA-43160-****		2 OF 6	
				SIZE D		THIS DRAWING CONTAINS INFORMATION THAT IS PROPRIETARY TO MOLEX INCORPORATED AND SHOULD NOT BE USED WITHOUT WRITTEN PERMISSION			



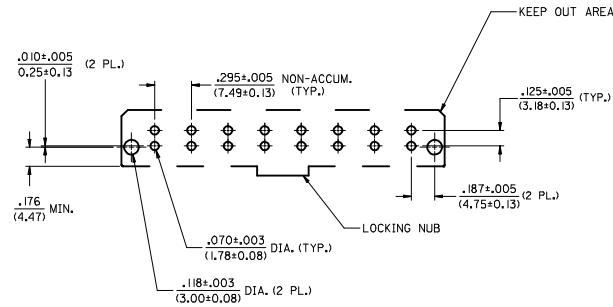
BOARD LOCK		DIM. "B" ±.004/(0, 10)	
.062		.070/(1,78)	
.094		.102/(2,59)	
.125		.133/(3,38)	

SOLDER TAIL		DIM. "A" ±.020/(0,51)	
SHORT		.150/(3,81)	
LONG		.210/(5,33)	

VERTICAL HEADER ASSEMBLY ITEM NO.	PART CHARACTERISTICS FOR VERTICAL HEADER				PACKAGING SPECIFICATIONS
	CIRCUIT SIZE	HSG. MAT'L (SEE NOTE 1)	SOLDER TAIL	BOARD LOCK	
43160-0108	8	A	SHORT	N/A	PK-43160-0010
43160-0308	8	A	LONG	N/A	PK-43789-001
43160-2108	8	A	SHORT	.062	PK-43789-001
43160-4108	8	A	SHORT	.094	PK-43789-001
43160-4308	8	A	LONG	.094	PK-43789-001
43160-6308	8	A	LONG	.125	PK-43789-001

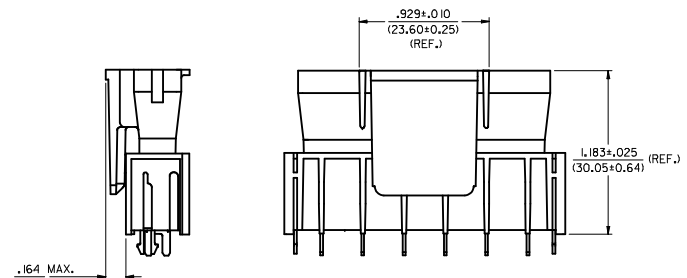
RECOMMENDED P.C. BOARD LAYOUT FOR VERTICAL HEADERS

SCALE 2:1



NOTES:

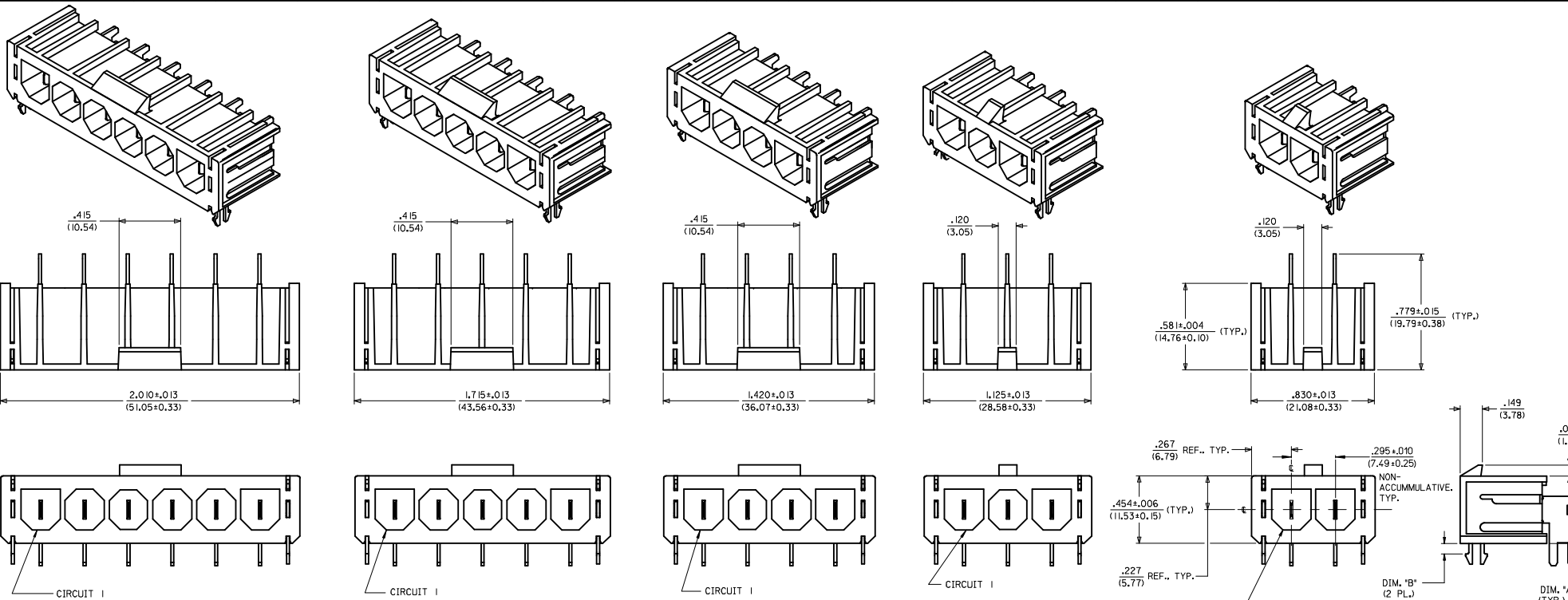
- INSULATOR MATERIAL (SEE CHART):
A = 30% GLASS FILLED 46 NYLON, 94V-0, COLOR: BLACK.
TERMINAL MATERIAL: BRASS
- TERMINAL FINISH: 60 MICRONS (1.50 MICROMETER) MINIMUM TIN OVER.
50 MICRONS (1.25 MICROMETER) MINIMUM NICKEL.
- PRODUCT SPECIFICATION: PSX-44441-9999.
- PACKAGING: SEE CHART.
- THESE HEADERS MATE WITH 43179, 43335, OR 44441 RECEPTACLE HOUSING.
- SEE SHEETS 1, 2 AND 3, FOR VERTICAL HEADER ASSEMBLIES AND THEIR RESPECTIVE PART NUMBERS.
- SEE SHEETS 4, 5 AND 6, FOR RIGHT ANGLE HEADER ASSEMBLIES AND THEIR RESPECTIVE PART NUMBERS.
- DIMENSIONS ARE FOR REFERENCE ONLY, UNLESS INDICATED OTHERWISE.



MATED SABRE CONNECTOR

NO SCALE

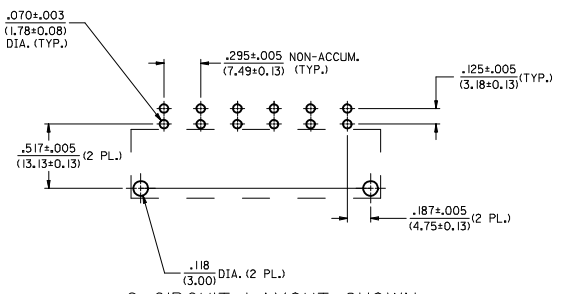
SEE SHEET 1 IEC NO. UCP2015-5276 DRAWN BY: CHYK/BANDERSON CHECKED BY: APPR:FSM/TH DATE: 2015/06/12 DATE: 2015/06/12	QUALITY SYMBOLS ∇=0 ∇=0 ∇=0	GENERAL TOLERANCES (UNLESS SPECIFIED) mm INCH		DIMENSION STYLE IN/MM	SCALE 3:1	DESIGN UNITS INCH	THIRD ANGLE PROJECTION
		4 PLACES ±.005 ±.005 3 PLACES ±.01 ±.01 2 PLACES ±0.13 ±.01 1 PLACE ±0.25 ±.01 0 PLACE ±.00 ±.00	DRAWN BY: GC CHECKED BY: KBP APPROVED BY: FSMITH DATE: 11/30/95 DATE: 11/30/95 DATE: 2015/06/25	MATERIAL NO. SEE CHART		DOCUMENT NO. SDA-43160-****	SHEET NO. 3 OF 6



SEE SHEET 5 AND 6 FOR ITEM NUMBER CHART

RECOMMENDED P.C. BOARD LAYOUT FOR RIGHT ANGLE HEADERS

SCALE 2:1



6 CIRCUIT LAYOUT SHOWN

- NOTES:**
- INSULATOR MATERIAL (SEE CHART):
A = 30% GLASS-FILLED 46 NYLON, 94V-0, COLOR: BLACK
TERMINAL MATERIAL: BRASS
 - TERMINAL FINISH: 60 MICRON (1.50 MICROMETER) MINIMUM TIN OVER
50 MICRON (1.25 MICROMETER) MINIMUM NICKEL.
 - PRODUCT SPECIFICATION: PSX-44441-9999.
 - PACKAGING: SEE CHART.
 - THESE HEADERS MATE WITH 43179, 43335, OR 44441 RECEPTACLE HOUSINGS.
 - SEE SHEETS 1, 2 AND 3 FOR VERTICAL HEADER ASSEMBLIES AND THEIR RESPECTIVE PART NUMBERS.
 - SEE SHEETS 4, 5 AND 6 FOR RIGHT ANGLE HEADER ASSEMBLIES AND THEIR RESPECTIVE PART NUMBERS.
 - DIMENSIONS ARE FOR REFERENCE ONLY UNLESS INDICATED OTHERWISE.

SOLDER TAIL	DIM. "A" ±.01/(0.28)
SHORT	.150/(3.81)
LONG	.210/(5.33)

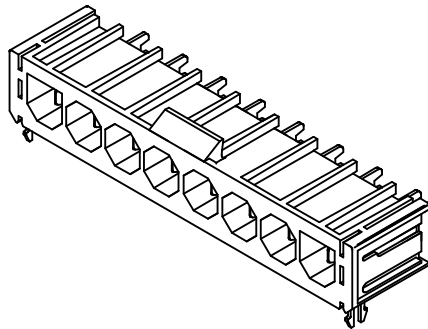
BOARD LOCK	DIM. "B" ±.004/(0.10)
.062	.070/(1.78)
.094	.102/(2.59)
.125	.133/(3.38)

SEE SHEET 1 IEC NO. UCP 2015-5276 DRAWN/MONT CHYK/BANDERSON 2015/06/12 APPROV/FSM TH 2015/06/25 REV DESCRIPTION	QUALITY SYMBOLS ▽=0 ▽=0 ▽=0	GENERAL TOLERANCES (UNLESS SPECIFIED) mm INCH 4 PLACES ±.005 ±.005 3 PLACES ±.01 ±.01 2 PLACES ±0.13 ±.01 1 PLACE ±0.25 ±.01 0 PLACE ±.005 ±.005 ANGULAR ±1/2° DRAFT WHERE APPLICABLE MUST REMAIN WITHIN DIMENSIONS	DIMENSION STYLE IN/MM DRAWN BY DATE GC 11/30/95 CHECKED BY DATE KBP 11/30/95 APPROVED BY DATE FSMITH 2015/06/25	SCALE 3:1 DESIGN UNITS INCH THIRD ANGLE PROJECTION	TITLE SABRE HEADER, ASSY RA & VERT, 2-6 & 8 CIR. .125/(3.18) X .020/(0.51)	MATERIAL NO. SEE CHART DOCUMENT NO. SDA-43160-**** SHEET NO. 4 OF 6
	THIS DRAWING CONTAINS INFORMATION THAT IS PROPRIETARY TO MOLEX INCORPORATED AND SHOULD NOT BE USED WITHOUT WRITTEN PERMISSION					
	MOLEX					
	SDA-43160-****					

RT. ANGLE HEADER ASSEMBLY ITEM NO.	PART CHARACTERISTICS FOR RIGHT ANGLE HEADER				PACKAGING SPECIFICATIONS	RT. ANGLE HEADER ASSEMBLY ITEM NO.	PART CHARACTERISTICS FOR RIGHT ANGLE HEADER				PACKAGING SPECIFICATIONS	VOID CIRCUIT NUMBER(S)
	CIRCUIT SIZE	HSG. MAT'L (SEE NOTE 1)	SOLDER TAIL	BOARD LOCK			CIRCUIT SIZE	HSG. MAT'L (SEE NOTE 1)	SOLDER TAIL	BOARD LOCK		
43160-1102	2	A	SHORT	N/A	PK-43160-0010	43160-1104	4	A	SHORT	N/A	PK-43160-0010	-
43160-1302	2	A	LONG	N/A	PK-43789-001	43160-1304	4	A	LONG	N/A	PK-43789-001	-
43160-3102	2	A	SHORT	.062	PK-43789-001	43160-3104	4	A	SHORT	.062	PK-43789-001	-
43160-5102	2	A	SHORT	.094	PK-43789-001	43160-5104	4	A	SHORT	.094	PK-43789-001	-
43160-5302	2	A	LONG	.094	PK-43789-001	43160-5304	4	A	LONG	.094	PK-43789-001	-
43160-7302	2	A	LONG	.125	PK-43789-001	43160-7304	4	A	LONG	.125	PK-43789-001	-
43160-1103	3	A	SHORT	N/A	PK-43160-0010	43160-1105	5	A	SHORT	N/A	PK-43160-0010	-
43160-1303	3	A	LONG	N/A	PK-43789-001	43160-1305	5	A	LONG	N/A	PK-43789-001	-
43160-3103	3	A	SHORT	.062	PK-43789-001	43160-3105	5	A	SHORT	.062	PK-43789-001	-
43160-5103	3	A	SHORT	.094	PK-43789-001	43160-5105	5	A	SHORT	.094	PK-43789-001	-
43160-5303	3	A	LONG	.094	PK-43789-001	43160-5305	5	A	LONG	.094	PK-43789-001	-
43160-7303	3	A	LONG	.125	PK-43789-001	43160-7305	5	A	LONG	.125	PK-43789-001	-
						43160-9001	4	A	SHORT	.062	PK-43789-001	2

RT. ANGLE HEADER ASSEMBLY ITEM NO.	PART CHARACTERISTICS FOR RIGHT ANGLE HEADER				PACKAGING SPECIFICATIONS
	CIRCUIT SIZE	HSG. MAT'L (SEE NOTE 1)	SOLDER TAIL	BOARD LOCK	
43160-1106	6	A	SHORT	N/A	PK-43160-0010
43160-1306	6	A	LONG	N/A	PK-43789-001
43160-3106	6	A	SHORT	.062	PK-43789-001
43160-5106	6	A	SHORT	.094	PK-43789-001
43160-5306	6	A	LONG	.094	PK-43789-001
43160-7306	6	A	LONG	.125	PK-43789-001

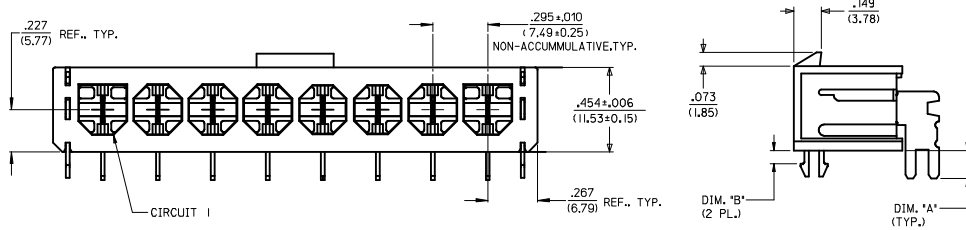
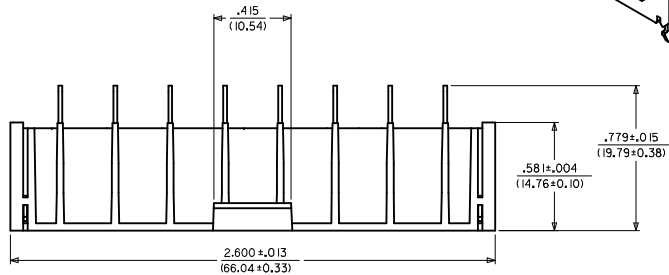
SEE SHEET 1 IEC NO: UCP2015-5276 DRAWN: MONTI 2015/06/12 CHECKED: BANDERSON 2015/06/12 APPR: FSMITH 2015/06/25	QUALITY SYMBOLS	GENERAL TOLERANCES (UNLESS SPECIFIED)	DIMENSION STYLE	SCALE	DESIGN UNITS	THIRD ANGLE PROJECTION
	▽=0	mm INCH	IN/MM	1:1	INCH	
	▽=0	4 PLACES ±.005	DRAWN BY DATE	GC 11/30/95	TITLE	SABRE HEADER, ASSY
	▽=0	3 PLACES ±.01	CHECKED BY DATE	KBP 11/30/95	RA & VERT, 2-6 & 8 CIR.	.125/(3.18)X .020/(0.51)
	ANGULAR ±1/2°	1 PLACE ±0.25	APPROVED BY DATE	FSMITH 2015/06/25		
	DRAFT WHERE APPLICABLE MUST REMAIN WITHIN DIMENSIONS	0 PLACE ±.005	MATERIAL NO.	SEE CHART	DOCUMENT NO.	SDA-43160-****
			SIZE	D		SHEET NO. 5 OF 6
			THIS DRAWING CONTAINS INFORMATION THAT IS PROPRIETARY TO MOLEX INCORPORATED AND SHOULD NOT BE USED WITHOUT WRITTEN PERMISSION			



BOARD LOCK	DIM. "B" ±.004/(0.10)
.062	.070/(1.78)
.094	.102/(2.59)
.125	.133/(3.38)

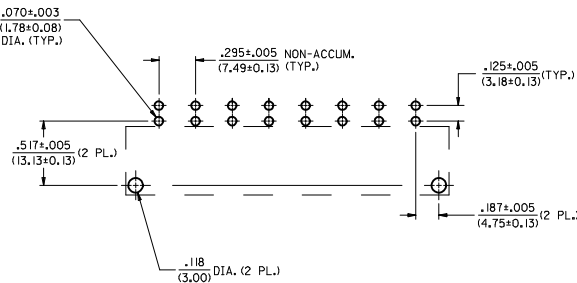
SOLDER TAIL	DIM. "A" ±.011/(0.28)
SHORT	.150/(3.81)
LONG	.210/(5.33)

RT. ANGLE HEADER ASSEMBLY ITEM NO.	PART CHARACTERISTICS FOR RIGHT ANGLE HEADER				PACKAGING SPECIFICATIONS
	CIRCUIT SIZE	HSG. MAT'L (SEE NOTE 1)	SOLDER TAIL	BOARD LOCK	
43160-1108	8	A	SHORT	N/A	PK-43160-0010
43160-1308	8	A	LONG	N/A	PK-43789-001
43160-3108	8	A	SHORT	.062	PK-43789-001
43160-5108	8	A	SHORT	.094	PK-43789-001
43160-5308	8	A	LONG	.094	PK-43789-001
43160-7308	8	A	LONG	.125	PK-43789-001



RECOMMENDED P.C. BOARD LAYOUT FOR RIGHT ANGLE HEADERS

SCALE 2:1



8 CIRCUIT LAYOUT SHOWN

NOTES:

- INSULATOR MATERIAL (SEE CHART):
A = 30% GLASS FILLED 46 NYLON, 94V-0, COLOR: BLACK.
- TERMINAL MATERIAL: BRASS
- TERMINAL FINISH: 60 MICRINCH (1.50 MICROMETER) MINIMUM TIN OVER 50 MICRINCH (1.25 MICROMETER) MINIMUM NICKEL.
- PRODUCT SPECIFICATION: PSX-44441-9999.
- PACKAGING: SEE CHART.
- THESE HEADERS MATE WITH 43179, 43335, OR 44441 RECEPTACLE HOUSINGS.
- SEE SHEETS 1, 2 AND 3, FOR VERTICAL HEADER ASSEMBLIES AND THEIR RESPECTIVE PART NUMBERS.
- SEE SHEETS 4, 5 AND 6, FOR RIGHT ANGLE HEADER ASSEMBLIES AND THEIR RESPECTIVE PART NUMBERS.
- DIMENSIONS ARE FOR REFERENCE ONLY, UNLESS INDICATED OTHERWISE.

SEE SHEET 1 IEC NO. UCP2015-5276 DRAWN: MONTI 2015/06/12 CHECKED: BANDERSON 2015/06/12 APPROVED: FSMITH 2015/06/25 REV DESCRIPTION	QUALITY SYMBOLS ▽=0 ▽=0 ▽=0	GENERAL TOLERANCES (UNLESS SPECIFIED) <table border="1"> <thead> <tr> <th></th> <th>mm</th> <th>INCH</th> </tr> </thead> <tbody> <tr> <td>4 PLACES</td> <td>±.005</td> <td>±.0005</td> </tr> <tr> <td>3 PLACES</td> <td>±.013</td> <td>±.01</td> </tr> <tr> <td>2 PLACES</td> <td>±.025</td> <td>±.005</td> </tr> <tr> <td>1 PLACE</td> <td>±.050</td> <td>±.010</td> </tr> <tr> <td>0 PLACE</td> <td>±.100</td> <td>±.020</td> </tr> </tbody> </table>		mm	INCH	4 PLACES	±.005	±.0005	3 PLACES	±.013	±.01	2 PLACES	±.025	±.005	1 PLACE	±.050	±.010	0 PLACE	±.100	±.020	DIMENSION STYLE IN/MM DRAWN BY DATE GC 11/30/95 CHECKED BY DATE KBP 11/30/95 APPROVED BY DATE FSMITH 2015/06/25	SCALE 3:1 DESIGN UNITS INCH THIRD ANGLE PROJECTION	TITLE SABRE HEADER, ASSY RA & VERT, 2-6 & 8 CIR. .125/(3.18)X .020/(0.51)
		mm	INCH																				
4 PLACES	±.005	±.0005																					
3 PLACES	±.013	±.01																					
2 PLACES	±.025	±.005																					
1 PLACE	±.050	±.010																					
0 PLACE	±.100	±.020																					
DRAFT WHERE APPLICABLE MUST REMAIN WITHIN DIMENSIONS	MATERIAL NO. SEE CHART	DOCUMENT NO. SDA-43160-****	SHEET NO. 6 OF 6																				