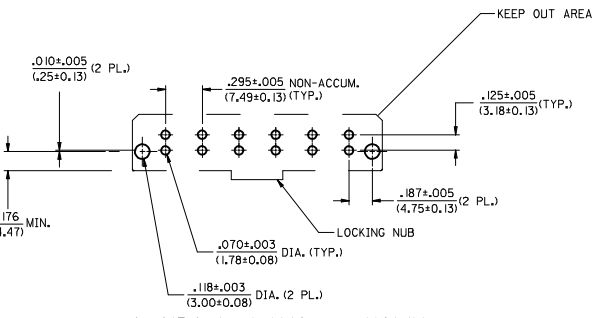


SEE SHEET 2 AND 3 FOR ITEM NUMBER CHART

RECOMMENDED P.C. BOARD LAYOUT FOR VERTICAL HEADERS

SCALE 2:1



6 CIRCUIT LAYOUT SHOWN

NOTES:

- INSULATOR MATERIAL (SEE CHART):
A = 30% GLASS FILLED 46 NYLON, 94V-0, COLOR: BLACK.
TERMINAL MATERIAL: BRASS
- TERMINAL FINISH: 60 MICRINCH (1.5 MICROMETER) MINIMUM TIN OVER 50 MICRINCH (1.25 MICROMETER) MINIMUM NICKEL.
- PRODUCT SPECIFICATION: PSX-44441-9999.
- PACKAGING: SEE CHART.
- THESE HEADERS MATE WITH 43179, 43335, OR 44441 RECEPTACLE HOUSINGS.
- SEE SHEETS 1, 2 AND 3, FOR VERTICAL HEADER ASSEMBLIES AND THEIR RESPECTIVE PART NUMBERS.
- SEE SHEETS 4, 5 AND 6, FOR RIGHT ANGLE HEADER ASSEMBLIES AND THEIR RESPECTIVE PART NUMBERS.
- DIMENSIONS ARE FOR REFERENCE ONLY, UNLESS INDICATED OTHERWISE.

| SOLDER TAIL | DIM. "A" ±.020/(0,51) |
|-------------|-----------------------|
| SHORT | .150/(3,81) |
| LONG | .210/(5,33) |

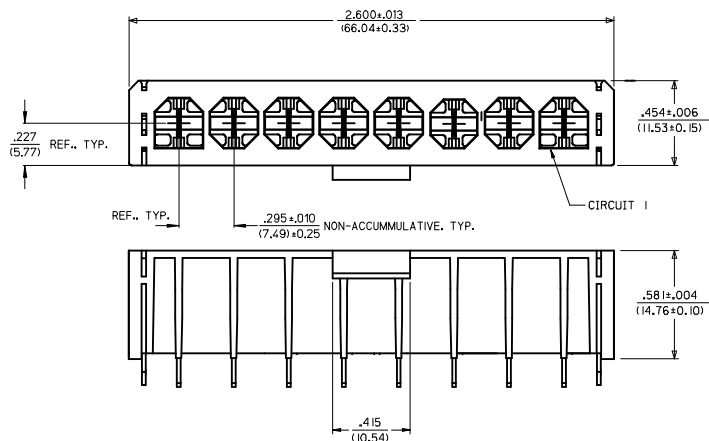
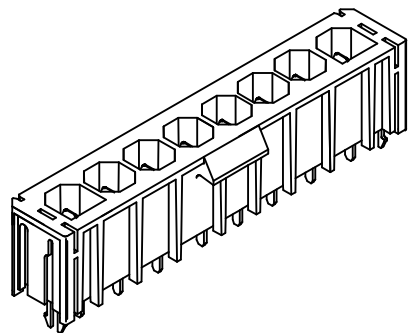
| BOARD LOCK | DIM. "B" ±.004/(0,15) |
|------------|-----------------------|
| .062 | .070/(1,78) |
| .094 | .102/(2,59) |
| .125 | .133/(3,38) |

| | | | | | |
|--|--------------------------------------|--|--|--|--|
| ADD 43160-9001 W/VID EC NO: UCP2015-5276 DRAWN/MONT: CHYD/BANDERSON APPR/FSM TH: 2015/06/12 | QUALITY SYMBOLS ▽=0 ▽=0 ▽=0 | GENERAL TOLERANCES (UNLESS SPECIFIED) mm INCH 4 PLACES ±.005 ±.005 3 PLACES ±.01 ±.01 2 PLACES ±.013 ±.01 1 PLACE ±.025 ±.01 0 PLACE ±.05 ±.01 | DIMENSION STYLE IN/MM SCALE 3:1 DESIGN UNITS INCH | DRAWN BY DATE GC 11/30/95 CHECKED BY DATE KBP 11/30/95 APPROVED BY DATE FSMITH 2015/06/25 | TITLE SABRE HEADER, ASSY RA & VERT, 2-6 & 8 CIR. .125/(3,18)X .020/(0,51) |
| | | ANGULAR ±1/2° DRAFT WHERE APPLICABLE MUST REMAIN WITHIN DIMENSIONS | MATERIAL NO. SEE CHART | DOCUMENT NO. SDA-43160-**** | SHEET NO. 1 OF 6 |

| | |
|-----------|---|
| 6 | J |
| 5 | J |
| 4 | J |
| 3 | J |
| 2 | J |
| 1 | J |
| SHT. REV. | |

| | 20 | 19 | 18 | 17 | 16 | 15 | 14 | 13 | 12 | 11 | 10 | 9 | 8 | 7 | 6 | 5 | 4 | 3 | 2 | 1 | | |
|---|-----------------------------------|--|-------------------------|-------------|------------|--------------------------|-----------------------------------|--|-------------|------------|------|--------------------------|-----------------------------------|--|------------|-------|------|--------------------------|---|---|--|--|
| M | VERTICAL HEADER ASSEMBLY ITEM NO. | PART CHARACTERISTICS FOR VERTICAL HEADER | | | | PACKAGING SPECIFICATIONS | VERTICAL HEADER ASSEMBLY ITEM NO. | PART CHARACTERISTICS FOR VERTICAL HEADER | | | | PACKAGING SPECIFICATIONS | VERTICAL HEADER ASSEMBLY ITEM NO. | PART CHARACTERISTICS FOR VERTICAL HEADER | | | | PACKAGING SPECIFICATIONS | | | | |
| | | CIRCUIT SIZE | HSG. MAT'L (SEE NOTE 1) | SOLDER TAIL | BOARD LOCK | | CIRCUIT SIZE | HSG. MAT'L (SEE NOTE 1) | SOLDER TAIL | BOARD LOCK | | CIRCUIT SIZE | HSG. MAT'L (SEE NOTE 1) | SOLDER TAIL | BOARD LOCK | | | | | | | |
| | 43160-0102 | 2 | A | SHORT | N/A | PK-43160-0010 | 43160-0104 | 4 | A | SHORT | N/A | PK-43160-0010 | 43160-0106 | 6 | A | SHORT | N/A | PK-43160-0010 | | | | |
| | 43160-0302 | 2 | A | LONG | N/A | PK-43789-001 | 43160-0304 | 4 | A | LONG | N/A | PK-43789-001 | 43160-0306 | 6 | A | LONG | N/A | PK-43789-001 | | | | |
| | 43160-2102 | 2 | A | SHORT | .062 | PK-43789-001 | 43160-2104 | 4 | A | SHORT | .062 | PK-43789-001 | 43160-2106 | 6 | A | SHORT | .062 | PK-43789-001 | | | | |
| L | 43160-4102 | 2 | A | SHORT | .094 | PK-43789-001 | 43160-4104 | 4 | A | SHORT | .094 | PK-43789-001 | 43160-4106 | 6 | A | SHORT | .094 | PK-43789-001 | | | | |
| | 43160-4302 | 2 | A | LONG | .094 | PK-43789-001 | 43160-4304 | 4 | A | LONG | .094 | PK-43789-001 | 43160-4306 | 6 | A | LONG | .094 | PK-43789-001 | | | | |
| | 43160-6302 | 2 | A | LONG | .125 | PK-43789-001 | 43160-6304 | 4 | A | LONG | .125 | PK-43789-001 | 43160-6306 | 6 | A | LONG | .125 | PK-43789-001 | | | | |
| | 43160-0103 | 3 | A | SHORT | N/A | PK-43160-0010 | 43160-0105 | 5 | A | SHORT | N/A | PK-43160-0010 | | | | | | | | | | |
| K | 43160-0303 | 3 | A | LONG | N/A | PK-43789-001 | 43160-0305 | 5 | A | LONG | N/A | PK-43789-001 | | | | | | | | | | |
| | 43160-2103 | 3 | A | SHORT | .062 | PK-43789-001 | 43160-2105 | 5 | A | SHORT | .062 | PK-43789-001 | | | | | | | | | | |
| | 43160-4103 | 3 | A | SHORT | .094 | PK-43789-001 | 43160-4105 | 5 | A | SHORT | .094 | PK-43789-001 | | | | | | | | | | |
| | 43160-4303 | 3 | A | LONG | .094 | PK-43789-001 | 43160-4305 | 5 | A | LONG | .094 | PK-43789-001 | | | | | | | | | | |
| J | 43160-6303 | 3 | A | LONG | .125 | PK-43789-001 | 43160-6305 | 5 | A | LONG | .125 | PK-43789-001 | | | | | | | | | | |

| | | | | | | |
|--|--|---------------------------------------|------------------|-------------------|---|--------------------------|
| SEE SHEET 1 IEC NO: UCP2015-5276 DRAWN: MONTI CHECKED: BANDERSON APPR: FSMITH | QUALITY SYMBOLS | GENERAL TOLERANCES (UNLESS SPECIFIED) | DIMENSION STYLE | SCALE | DESIGN UNITS | THIRD ANGLE PROJECTION |
| | ▽=0 | mm INCH | IN/MM | 1:1 | INCH | |
| | ▽=0 | 4 PLACES ±.005 | DRAWN BY DATE | GC 11/30/195 | TITLE | SABRE HEADER, ASSY |
| | ▽=0 | 3 PLACES ±.01 | CHECKED BY DATE | KBP 11/30/195 | RA & VERT, 2-6 & 8 CIR. | .125/(3.18)X .020/(0.51) |
| | ANGULAR ±1/2° | 1 PLACE ±0.25 | APPROVED BY DATE | FSMITH 2015/06/25 | | |
| | DRAFT WHERE APPLICABLE MUST REMAIN WITHIN DIMENSIONS | 0 PLACE ±.005 | MATERIAL NO. | SEE CHART | DOCUMENT NO. | SDA-43160-**** |
| | | | SIZE | D | THIS DRAWING CONTAINS INFORMATION THAT IS PROPRIETARY TO MOLEX INCORPORATED AND SHOULD NOT BE USED WITHOUT WRITTEN PERMISSION | |



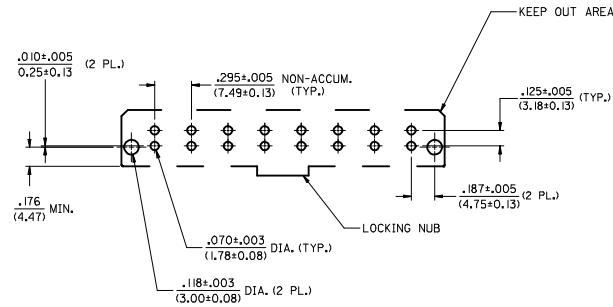
| BOARD LOCK | | DIM. "B" ±.004/(0, 10) | |
|------------|--|------------------------|--|
| .062 | | .070/(1.78) | |
| .094 | | .102/(2.59) | |
| .125 | | .133/(3.38) | |

| SOLDER TAIL | | DIM. "A" ±.020/(0, 51) | |
|-------------|--|------------------------|--|
| SHORT | | .150/(3.81) | |
| LONG | | .210/(5.33) | |

| VERTICAL HEADER ASSEMBLY ITEM NO. | PART CHARACTERISTICS FOR VERTICAL HEADER | | | | PACKAGING SPECIFICATIONS |
|-----------------------------------|--|-------------------------|-------------|------------|--------------------------|
| | CIRCUIT SIZE | HSG. MAT'L (SEE NOTE 1) | SOLDER TAIL | BOARD LOCK | |
| 43160-0108 | 8 | A | SHORT | N/A | PK-43160-0010 |
| 43160-0308 | 8 | A | LONG | N/A | PK-43789-001 |
| 43160-2108 | 8 | A | SHORT | .062 | PK-43789-001 |
| 43160-4108 | 8 | A | SHORT | .094 | PK-43789-001 |
| 43160-4308 | 8 | A | LONG | .094 | PK-43789-001 |
| 43160-6308 | 8 | A | LONG | .125 | PK-43789-001 |

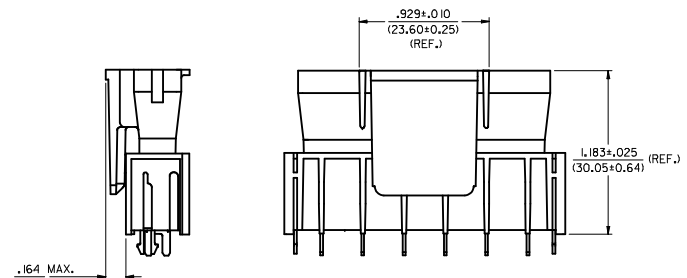
RECOMMENDED P.C. BOARD LAYOUT FOR VERTICAL HEADERS

SCALE 2:1



NOTES:

- INSULATOR MATERIAL (SEE CHART):
A = 30% GLASS FILLED 46 NYLON, 94V-0, COLOR: BLACK.
TERMINAL MATERIAL: BRASS
- TERMINAL FINISH: 60 MICRONS (1.50 MICROMETER) MINIMUM TIN OVER.
50 MICRONS (1.25 MICROMETER) MINIMUM NICKEL.
- PRODUCT SPECIFICATION: PSX-44441-9999.
- PACKAGING: SEE CHART.
- THESE HEADERS MATE WITH 43179, 43335, OR 44441 RECEPTACLE HOUSING.
- SEE SHEETS 1, 2 AND 3, FOR VERTICAL HEADER ASSEMBLIES AND THEIR RESPECTIVE PART NUMBERS.
- SEE SHEETS 4, 5 AND 6, FOR RIGHT ANGLE HEADER ASSEMBLIES AND THEIR RESPECTIVE PART NUMBERS.
- DIMENSIONS ARE FOR REFERENCE ONLY, UNLESS INDICATED OTHERWISE.

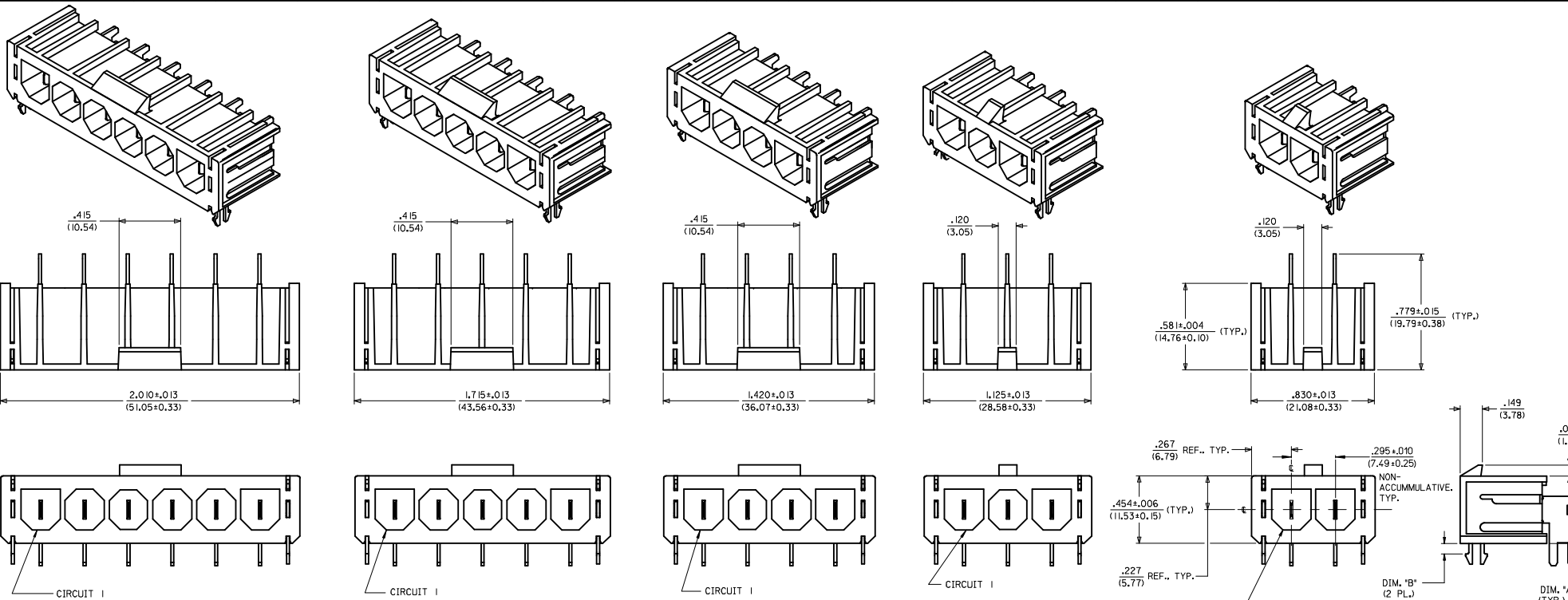


MATED SABRE CONNECTOR

NO SCALE

8 CIRCUIT LAYOUT SHOWN

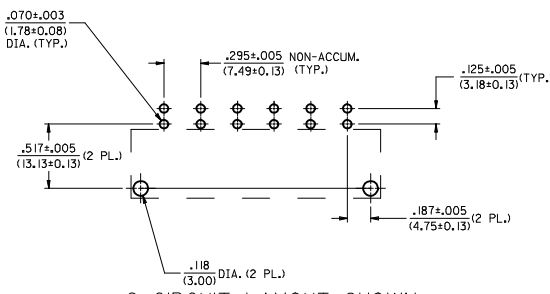
| | | | | | | | |
|---|---|--|--|---|---------------------|----------------------------------|---------------------------------------|
| SEE SHEET 1 IEC NO. UCP2015-5276 DRAWN BY: CHYK/BANDERSON CHECKED BY: APPR:FSM/TH DATE: 2015/06/12 DATE: 2015/06/12 | QUALITY SYMBOLS ∇=0 ∇=0 ∇=0 | GENERAL TOLERANCES (UNLESS SPECIFIED) mm INCH | | DIMENSION STYLE IN/MM | SCALE 3:1 | DESIGN UNITS INCH | THIRD ANGLE PROJECTION |
| | | 4 PLACES ±.005 ±.005 3 PLACES ±.01 ±.01 2 PLACES ±0.13 ±.01 1 PLACE ±0.25 ±.01 0 PLACE ±.00 ±.00 | DRAWN BY: GC CHECKED BY: KBP APPROVED BY: FSMITH DATE: 11/30/95 DATE: 11/30/95 DATE: 2015/06/25 | TITLE SABRE HEADER, ASSY RA & VERT, 2-6 & 8 CIR. .125/(3.18)X .020/(0.51) | | MATERIAL NO. SEE CHART | DOCUMENT NO. SDA-43160-**** |



SEE SHEET 5 AND 6 FOR ITEM NUMBER CHART

RECOMMENDED P.C. BOARD LAYOUT FOR RIGHT ANGLE HEADERS

SCALE 2:1



6 CIRCUIT LAYOUT SHOWN

- NOTES:**
- INSULATOR MATERIAL (SEE CHART):
A = 30% GLASS-FILLED 46 NYLON, 94V-0, COLOR: BLACK
TERMINAL MATERIAL: BRASS
 - TERMINAL FINISH: 60 MICRON (1.50 MICROMETER) MINIMUM TIN OVER 50 MICRON (1.25 MICROMETER) MINIMUM NICKEL.
 - PRODUCT SPECIFICATION: PSX-44441-9999.
 - PACKAGING: SEE CHART.
 - THESE HEADERS MATE WITH 43179, 43335, OR 44441 RECEPTACLE HOUSINGS.
 - SEE SHEETS 1, 2 AND 3 FOR VERTICAL HEADER ASSEMBLIES AND THEIR RESPECTIVE PART NUMBERS.
 - SEE SHEETS 4, 5 AND 6 FOR RIGHT ANGLE HEADER ASSEMBLIES AND THEIR RESPECTIVE PART NUMBERS.
 - DIMENSIONS ARE FOR REFERENCE ONLY UNLESS INDICATED OTHERWISE.

| SOLDER TAIL | DIM. "A" ±.01/(0.28) |
|-------------|----------------------|
| SHORT | .150/(3.81) |
| LONG | .210/(5.33) |

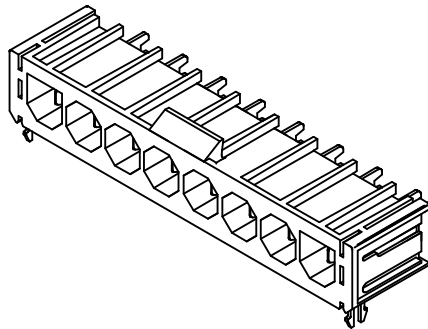
| BOARD LOCK | DIM. "B" ±.004/(0.10) |
|------------|-----------------------|
| .062 | .070/(1.78) |
| .094 | .102/(2.59) |
| .125 | .133/(3.38) |

| SEE SHEET 1 IEC NO. UCP 2015-5276 DRAWN/MONT CHYK/BANDERSON 2015/06/12 APPROV/FSMITH 2015/06/25 REV DESCRIPTION | QUALITY SYMBOLS ▽=0 ▽=0 ▽=0 | GENERAL TOLERANCES (UNLESS SPECIFIED) <table border="1"> <thead> <tr> <th></th> <th>mm</th> <th>INCH</th> </tr> </thead> <tbody> <tr> <td>4 PLACES</td> <td>±.005</td> <td>±.005</td> </tr> <tr> <td>3 PLACES</td> <td>±.01</td> <td>±.01</td> </tr> <tr> <td>2 PLACES</td> <td>±0.13</td> <td>±.01</td> </tr> <tr> <td>1 PLACE</td> <td>±0.25</td> <td>±.01</td> </tr> <tr> <td>0 PLACE</td> <td>±---</td> <td>±---</td> </tr> </tbody> </table> ANGULAR ±1/2° DRAFT WHERE APPLICABLE MUST REMAIN WITHIN DIMENSIONS | | mm | INCH | 4 PLACES | ±.005 | ±.005 | 3 PLACES | ±.01 | ±.01 | 2 PLACES | ±0.13 | ±.01 | 1 PLACE | ±0.25 | ±.01 | 0 PLACE | ±--- | ±--- | DIMENSION STYLE IN/MM DRAWN BY DATE GC 11/30/95 CHECKED BY DATE KBP 11/30/95 APPROVED BY DATE FSMITH 2015/06/25 | SCALE 3:1 DESIGN UNITS INCH THIRD ANGLE PROJECTION |
|--|--------------------------------------|--|---|-------|------|----------|-------|-------|----------|------|------|----------|-------|------|---------|-------|------|---------|------|------|--|--|
| | | mm | INCH | | | | | | | | | | | | | | | | | | | |
| | 4 PLACES | ±.005 | ±.005 | | | | | | | | | | | | | | | | | | | |
| | 3 PLACES | ±.01 | ±.01 | | | | | | | | | | | | | | | | | | | |
| 2 PLACES | ±0.13 | ±.01 | | | | | | | | | | | | | | | | | | | | |
| 1 PLACE | ±0.25 | ±.01 | | | | | | | | | | | | | | | | | | | | |
| 0 PLACE | ±--- | ±--- | | | | | | | | | | | | | | | | | | | | |
| MATERIAL NO. SEE CHART | DOCUMENT NO. SDA-43160-**** | SHEET NO. 4 OF 6 | TITLE SABRE HEADER, ASSY RA & VERT, 2-6 & 8 CIR. .125/(3.18) X .020/(0.51) | | | | | | | | | | | | | | | | | | | |
| THIS DRAWING CONTAINS INFORMATION THAT IS PROPRIETARY TO MOLEX INCORPORATED AND SHOULD NOT BE USED WITHOUT WRITTEN PERMISSION | | | | molex | | | | | | | | | | | | | | | | | | |
| | | | | molex | | | | | | | | | | | | | | | | | | |

| RT. ANGLE HEADER ASSEMBLY ITEM NO. | PART CHARACTERISTICS FOR RIGHT ANGLE HEADER | | | | PACKAGING SPECIFICATIONS | RT. ANGLE HEADER ASSEMBLY ITEM NO. | PART CHARACTERISTICS FOR RIGHT ANGLE HEADER | | | | PACKAGING SPECIFICATIONS | VOID CIRCUIT NUMBER(S) |
|------------------------------------|---|-------------------------|-------------|------------|--------------------------|------------------------------------|---|-------------------------|-------------|------------|--------------------------|------------------------|
| | CIRCUIT SIZE | HSG. MAT'L (SEE NOTE 1) | SOLDER TAIL | BOARD LOCK | | | CIRCUIT SIZE | HSG. MAT'L (SEE NOTE 1) | SOLDER TAIL | BOARD LOCK | | |
| 43160-1102 | 2 | A | SHORT | N/A | PK-43160-0010 | 43160-1104 | 4 | A | SHORT | N/A | PK-43160-0010 | - |
| 43160-1302 | 2 | A | LONG | N/A | PK-43789-001 | 43160-1304 | 4 | A | LONG | N/A | PK-43789-001 | - |
| 43160-3102 | 2 | A | SHORT | .062 | PK-43789-001 | 43160-3104 | 4 | A | SHORT | .062 | PK-43789-001 | - |
| 43160-5102 | 2 | A | SHORT | .094 | PK-43789-001 | 43160-5104 | 4 | A | SHORT | .094 | PK-43789-001 | - |
| 43160-5302 | 2 | A | LONG | .094 | PK-43789-001 | 43160-5304 | 4 | A | LONG | .094 | PK-43789-001 | - |
| 43160-7302 | 2 | A | LONG | .125 | PK-43789-001 | 43160-7304 | 4 | A | LONG | .125 | PK-43789-001 | - |
| 43160-1103 | 3 | A | SHORT | N/A | PK-43160-0010 | 43160-1105 | 5 | A | SHORT | N/A | PK-43160-0010 | - |
| 43160-1303 | 3 | A | LONG | N/A | PK-43789-001 | 43160-1305 | 5 | A | LONG | N/A | PK-43789-001 | - |
| 43160-3103 | 3 | A | SHORT | .062 | PK-43789-001 | 43160-3105 | 5 | A | SHORT | .062 | PK-43789-001 | - |
| 43160-5103 | 3 | A | SHORT | .094 | PK-43789-001 | 43160-5105 | 5 | A | SHORT | .094 | PK-43789-001 | - |
| 43160-5303 | 3 | A | LONG | .094 | PK-43789-001 | 43160-5305 | 5 | A | LONG | .094 | PK-43789-001 | - |
| 43160-7303 | 3 | A | LONG | .125 | PK-43789-001 | 43160-7305 | 5 | A | LONG | .125 | PK-43789-001 | - |
| | | | | | | 43160-9001 | 4 | A | SHORT | .062 | PK-43789-001 | 2 |

| RT. ANGLE HEADER ASSEMBLY ITEM NO. | PART CHARACTERISTICS FOR RIGHT ANGLE HEADER | | | | PACKAGING SPECIFICATIONS |
|------------------------------------|---|-------------------------|-------------|------------|--------------------------|
| | CIRCUIT SIZE | HSG. MAT'L (SEE NOTE 1) | SOLDER TAIL | BOARD LOCK | |
| 43160-1106 | 6 | A | SHORT | N/A | PK-43160-0010 |
| 43160-1306 | 6 | A | LONG | N/A | PK-43789-001 |
| 43160-3106 | 6 | A | SHORT | .062 | PK-43789-001 |
| 43160-5106 | 6 | A | SHORT | .094 | PK-43789-001 |
| 43160-5306 | 6 | A | LONG | .094 | PK-43789-001 |
| 43160-7306 | 6 | A | LONG | .125 | PK-43789-001 |

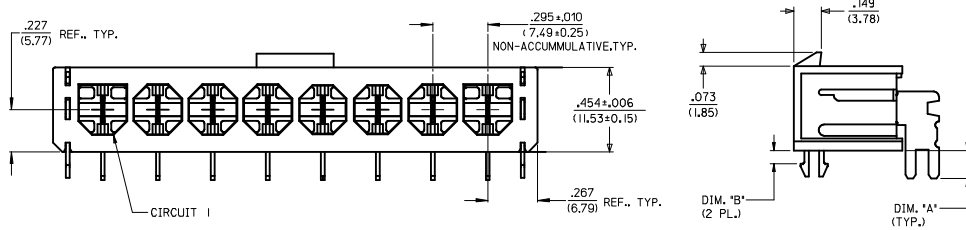
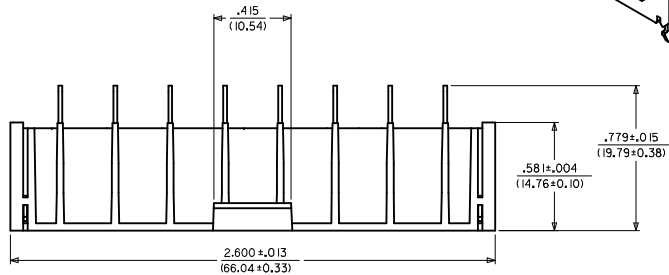
| | | | | | | |
|---|--|---------------------------------------|------------------|---|---|------------------------|
| SEE SHEET 1 IEC NO: UCP2015-5276 DRAWN: MONTI 2015/06/12 CHECKED: BANDERSON 2015/06/12 APPROVED: FSMITH 2015/06/25 | QUALITY SYMBOLS | GENERAL TOLERANCES (UNLESS SPECIFIED) | DIMENSION STYLE | SCALE | DESIGN UNITS | THIRD ANGLE PROJECTION |
| | ▽=0 | mm INCH | IN/MM | 1:1 | INCH | |
| | ▽=0 | 4 PLACES ±.005 | DRAWN BY DATE | GC 11/30/95 | TITLE | |
| | ▽=0 | 3 PLACES ±.01 | CHECKED BY DATE | KBP 11/30/95 | SABRE HEADER, ASSY RA & VERT, 2-6 & 8 CIR. .125/(3.18)X .020/(0.51) | |
| | ANGULAR ±1/2° | 1 PLACE ±0.25 | APPROVED BY DATE | FSMITH 2015/06/25 | MATERIAL NO. DOCUMENT NO. | |
| | DRAFT WHERE APPLICABLE MUST REMAIN WITHIN DIMENSIONS | 0 PLACE ±.005 | DATE | SEE CHART | SDA-43160-**** | SHEET NO. 5 OF 6 |
| | | | SIZE | THIS DRAWING CONTAINS INFORMATION THAT IS PROPRIETARY TO MOLEX INCORPORATED AND SHOULD NOT BE USED WITHOUT WRITTEN PERMISSION | | |



| BOARD LOCK | DIM. "B" ±.004/(0.10) |
|------------|-----------------------|
| .062 | .070/(1.78) |
| .094 | .102/(2.59) |
| .125 | .133/(3.38) |

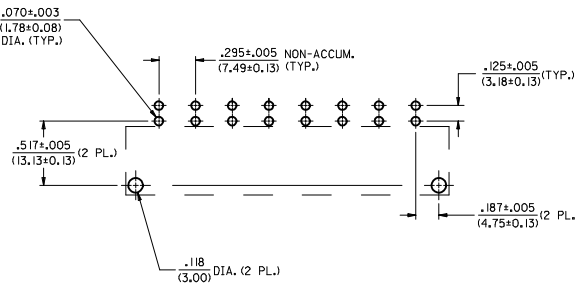
| SOLDER TAIL | DIM. "A" ±.011/(0.28) |
|-------------|-----------------------|
| SHORT | .150/(3.81) |
| LONG | .210/(5.33) |

| RT. ANGLE HEADER ASSEMBLY ITEM NO. | PART CHARACTERISTICS FOR RIGHT ANGLE HEADER | | | | PACKAGING SPECIFICATIONS |
|------------------------------------|---|-------------------------|-------------|------------|--------------------------|
| | CIRCUIT SIZE | HSG. MAT'L (SEE NOTE 1) | SOLDER TAIL | BOARD LOCK | |
| 43160-1108 | 8 | A | SHORT | N/A | PK-43160-0010 |
| 43160-1308 | 8 | A | LONG | N/A | PK-43789-001 |
| 43160-3108 | 8 | A | SHORT | .062 | PK-43789-001 |
| 43160-5108 | 8 | A | SHORT | .094 | PK-43789-001 |
| 43160-5308 | 8 | A | LONG | .094 | PK-43789-001 |
| 43160-7308 | 8 | A | LONG | .125 | PK-43789-001 |



RECOMMENDED P.C. BOARD LAYOUT FOR RIGHT ANGLE HEADERS

SCALE 2:1



8 CIRCUIT LAYOUT SHOWN

NOTES:

- INSULATOR MATERIAL (SEE CHART):
A = 30% GLASS FILLED 46 NYLON, 94V-0, COLOR: BLACK.
- TERMINAL MATERIAL: BRASS
- TERMINAL FINISH: 60 MICRONCH (1.50 MICROMETER) MINIMUM TIN OVER 50 MICRONCH (1.25 MICROMETER) MINIMUM NICKEL.
- PRODUCT SPECIFICATION: PSX-44441-9999.
- PACKAGING: SEE CHART.
- THESE HEADERS MATE WITH 43179, 43335, OR 44441 RECEPTACLE HOUSINGS.
- SEE SHEETS 1, 2 AND 3, FOR VERTICAL HEADER ASSEMBLIES AND THEIR RESPECTIVE PART NUMBERS.
- SEE SHEETS 4, 5 AND 6, FOR RIGHT ANGLE HEADER ASSEMBLIES AND THEIR RESPECTIVE PART NUMBERS.
- DIMENSIONS ARE FOR REFERENCE ONLY, UNLESS INDICATED OTHERWISE.

| | | | | | | | | |
|---|---|---|--|---|--|----------------------------------|----------------------|---|
| SEE SHEET 1 IEC NO. UCP2015-5276 DRAWN/MONT CHYD/BANDERSON APPROV/FSM TH 2015/06/12 2015/06/12 2015/06/12 | QUALITY SYMBOLS ∇=0 ∇=0 ∇=0 | GENERAL TOLERANCES (UNLESS SPECIFIED) mm INCH | | DIMENSION STYLE IN/MM | | SCALE 3:1 | DESIGN UNITS INCH | THIRD ANGLE PROJECTION |
| | | 4 PLACES ± --- ± --- 3 PLACES ± --- ± .005 2 PLACES ± 0.13 ± .01 1 PLACE ± 0.25 ± --- 0 PLACE ± --- ± --- | | DRAWN BY DATE GC 11/30/95 CHECKED BY DATE KBP 11/30/95 APPROVED BY DATE F SMITH 2015/06/12 | | MATERIAL NO. SEE CHART | | DOCUMENT NO. SDA-43160-**** |
| DRAFT WHERE APPLICABLE MUST REMAIN WITHIN DIMENSIONS | | ANGULAR ±1/2° | | SIZE D | | SHEET NO. 6 OF 6 | | THIS DRAWING CONTAINS INFORMATION THAT IS PROPRIETARY TO MOLEX INCORPORATED AND SHOULD NOT BE USED WITHOUT WRITTEN PERMISSION |