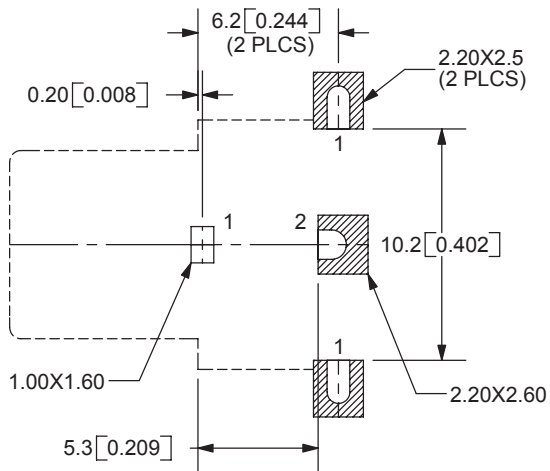
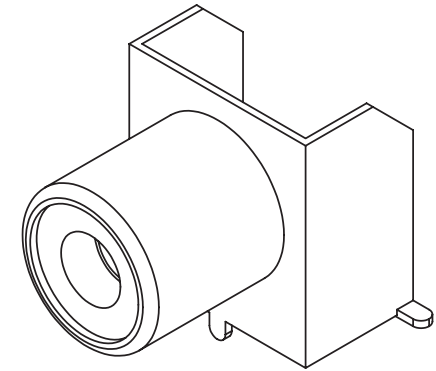
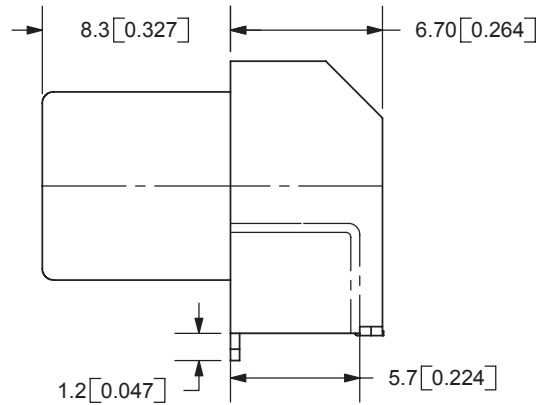
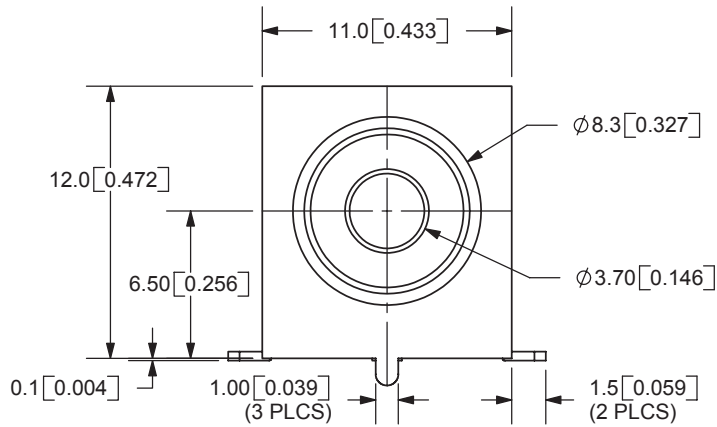


REV.	DESCRIPTION	DATE
A	NEW DRAWING	3/2/2006
B	added TR package option	11/7/2012



PCB LAYOUT  
TOP VIEW

MODEL NO.	RCJ-01X-SMT
SCHEMATIC	

COLOR INDEX	
PART NO.	COLOR
RCJ-011-SMT	Black
RCJ-012-SMT	Red
RCJ-013-SMT	White
RCJ-014-SMT	Yellow
RCJ-017-SMT	Orange

Note:  
Add suffix "-TR" to the model number for  
tape & reel packaging

TOLERANCE:  
X.X ±0.2mm  
X.XX ±0.1mm  
X.XXX ±0.05mm



20050 SW 112th Ave.  
Tualatin, OR 97062  
Phone: 503-612-2300  
800-275-4899  
Fax: 503-372-1266  
Website: www.cui.com

**SPECIFICATIONS:**  
CONTACT RESISTANCE: 25m OHMS MAX  
INSULATION RESISTANCE: 100M OHMS MIN: 500V DC  
VOLTAGE WITHSTAND: 500V AC R.M.S. FOR 1 MINUTE  
LIFE: 5,000 CYCLES  
OPERATING TEMP: -25° ~ +85°C

PC FILE NAME:  
RCJ-01X-SMT

COPYRIGHT 2012 BY CUI INC.

MATERIAL	PLATING	TITLE:	REV:
SHELL	Brass	SMD RCA SOCKET	B
BRACKET	C.R. Steel	PART NO. RCJ-01X-SMT	UNITS: MM [INCHES]
CENTER CONTACT	Brass	DRAWN BY: ZRJ	APPROVED BY:
INSULATOR	PA66		SCALE: 3:1