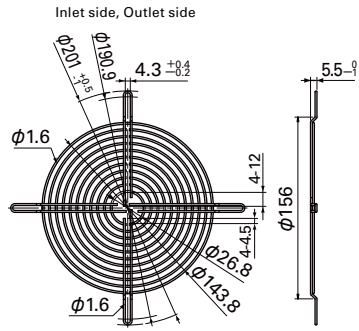


Dimensions (unit : mm)

150mm sq. type

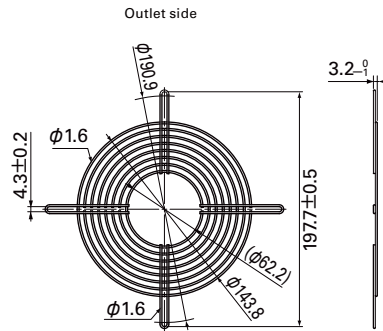
Model : 109-1051 Surface treatment : Nickel-chrome plating Color (silver)



Mass : 63g

150mm sq. type

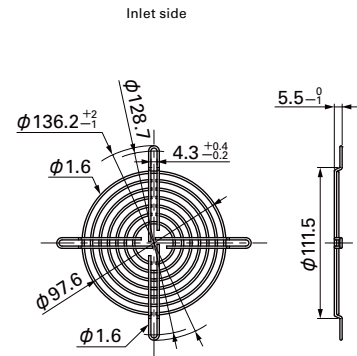
Model : 109-1052 Surface treatment : Nickel-chrome plating Color (silver)



Mass : 53g

φ150mm type

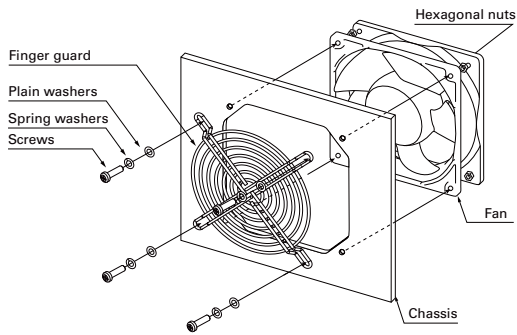
Model : 109-1104 Surface treatment : Nickel-chrome plating Color (silver)
: 109-1104H : Cation electropainting (black)



Mass : 31g

Mounting example

Axial fan



Centrifugal fan

