

# Tip Jack Insulated Deluxe



INCHES (MILLIMETERS)  
CUSTOMER DRAWINGS AVAILABLE UPON REQUEST

## SPECIFICATIONS

**Contact:** Brass per QQ-B-626D with wrap around  
beryllium copper spring per QQ-C-533

**Finish:** Silver

**Body:** Nylon 6/6 per ASTM D4066

**Hardware:** Nickel plated nut (unassembled)

**Body Thread Stripping Torque:** 0.4 lb. in (4.5 kg. cm.)

**Panel Thickness:** Up to .437 (11.10)

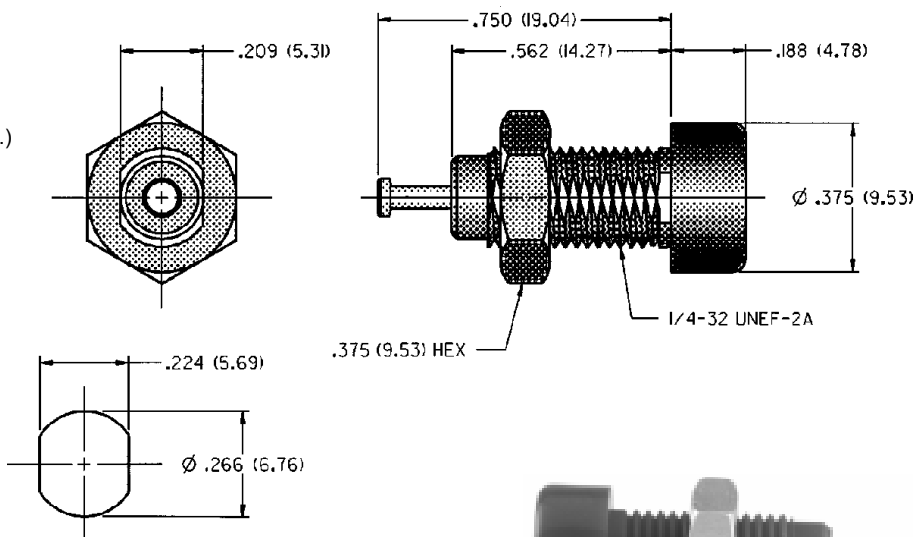
## RATINGS

**Current:** 10 amps

**Breakdown Voltage:** 5700 Vrms minimum

**Contact Resistance:** 0.010 ohms maximum

**Contact-To-Panel C:** 2 pF nominal



MOUNTING HOLE LAYOUT

SILVER PLATING	
PART NO.	COLOR
105-0601-001	White

**For Standard Tip Plug: .080 (2.00) Diameter**

## FEATURES:

- Machined contact with turret terminal
- Hex socket head .188 (4.77) for ease in mounting
- Closed entry blocks access of probes greater than .085 (2.16)
- Nylon UL approved for self extinguishing