

DETAILS

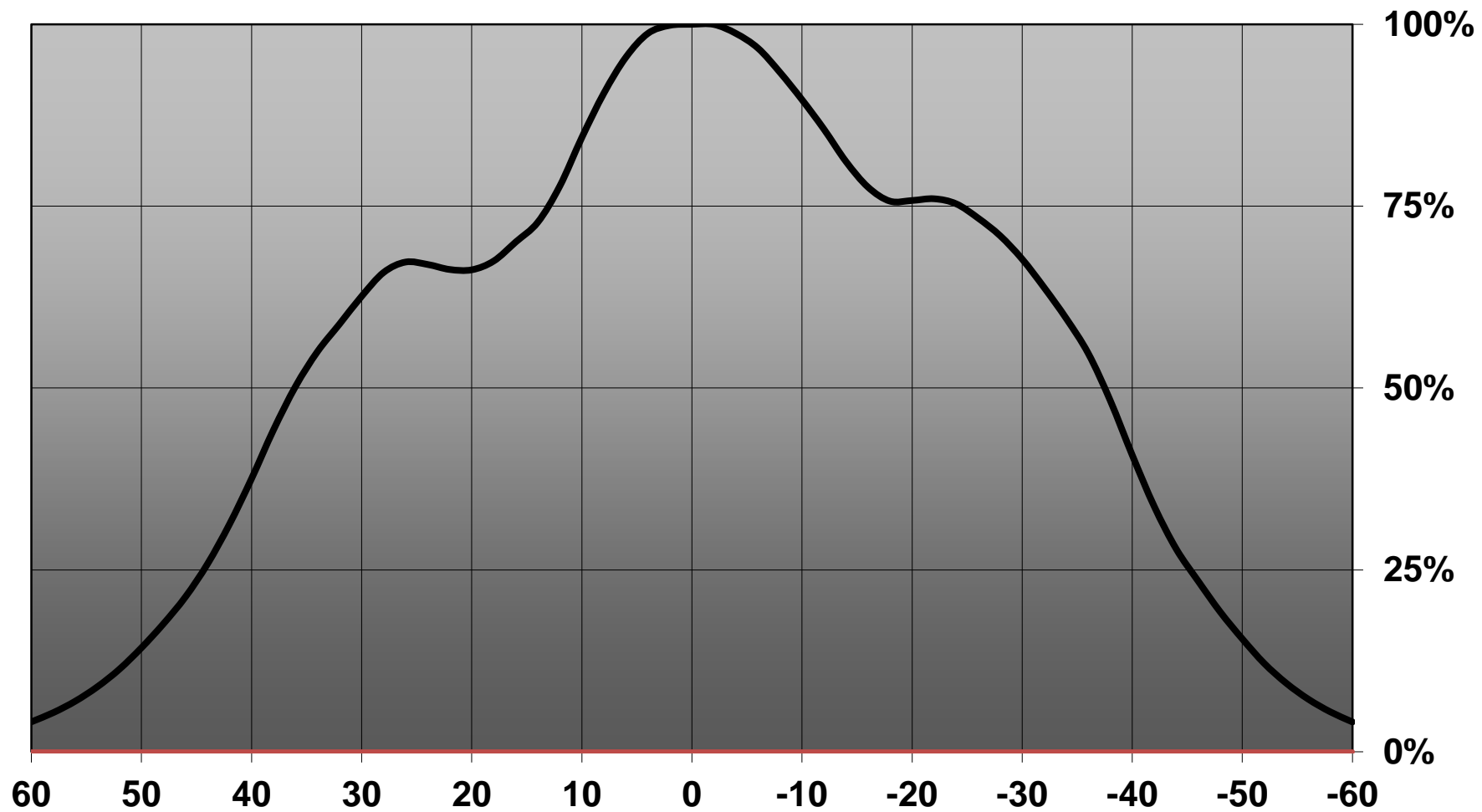
Product Number	FP11851_LISA2-O-90-PIN
Family	Lisa2
Type	Assembly
Color	black
Diameter	9.9 mm
Height	6.8 mm
Style	round
Optic Material	PMMA
Holder Material	PC
Fastening	pin, glue
Status	ready
ROHS Compliant	Yes
Date Updated	14/08/2015



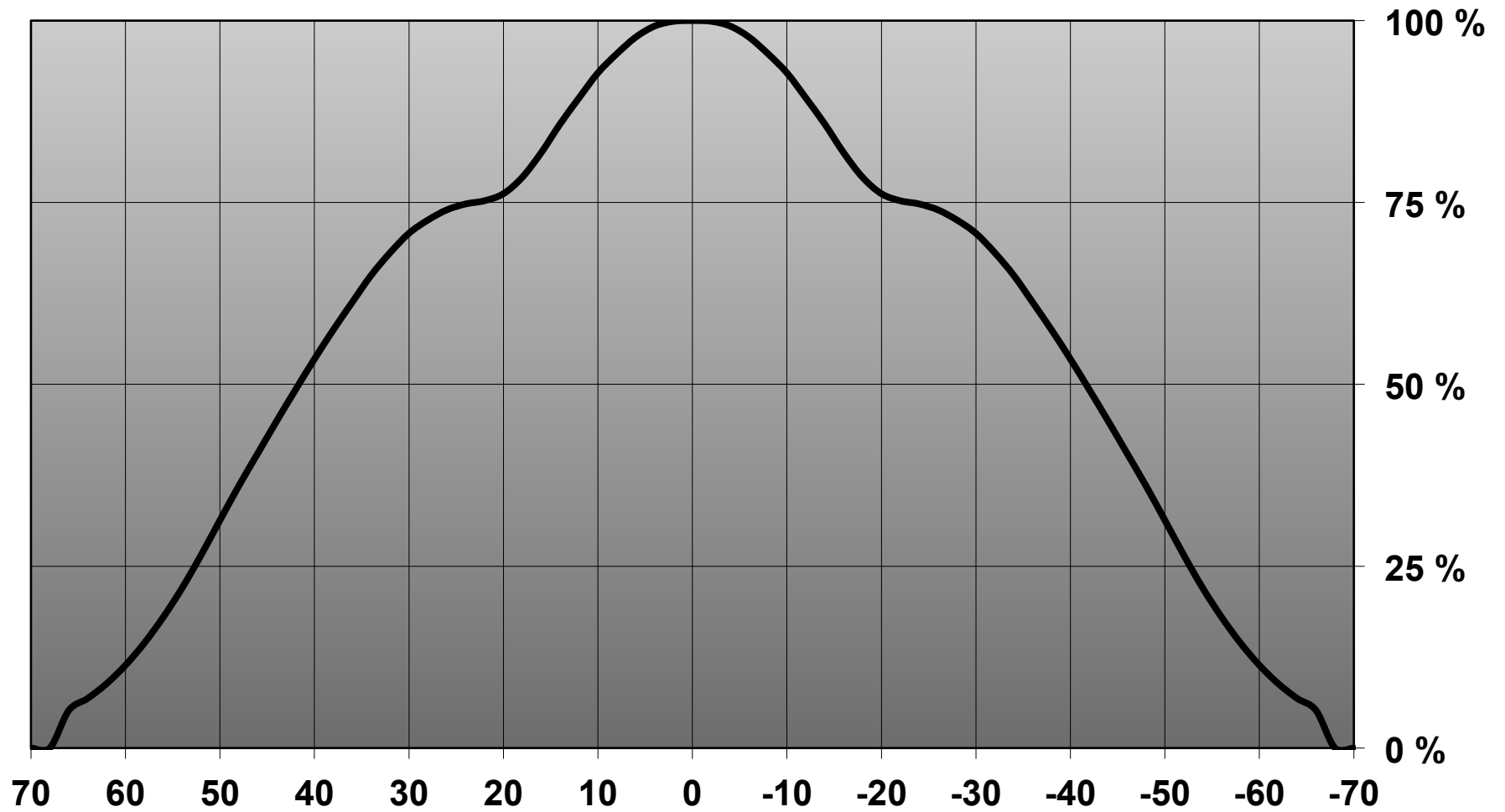
OPTICAL PROPERTIES

LED	Viewing	Light	Effi-		
	Angle	Beam	ciency	cd/lm	Connector
Double Dome (GM2BB)	sim: 48+20	O-90	-	-	-
XQ-E	sim: 40+13	O-90	sim: 86 %	sim: 3.500	-
LUXEON Z ES	18+49 deg	O-90	80 %	2.200	-
XP-E	48+18 deg	O-90	83 %	sim: 0.000	-
XP-G	48+18 deg	O-90	86 %	-	-

Relative intensity of FP11431_LISA2-WWW-CLIP_(Luxeon Z)

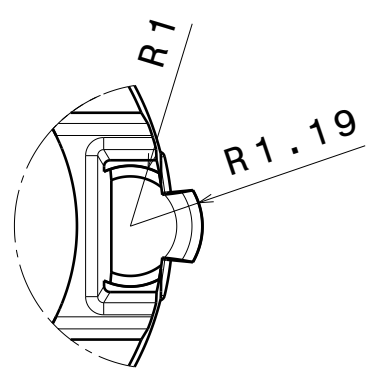


**Relative intensity of FP11431_LISA2-WWW-CLIP &
FP11429_LISA2-WWW-PIN**

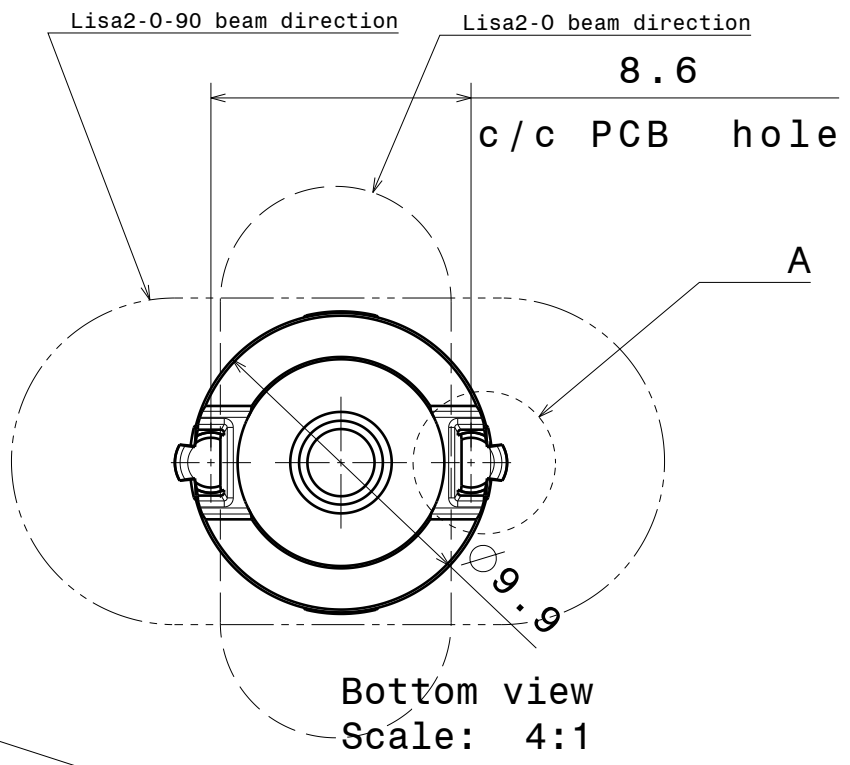


D C B A

4



Detail A
Scale: 8:1



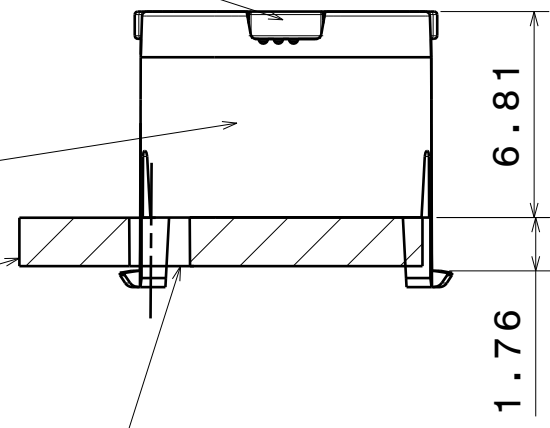
Bottom view
Scale: 4:1

3

Lens

Holder

Reference PCB



Front view
Scale: 4:1

2

Materials:
Lens PMMA
Holder PC

Note:
Take tolerances
into account
when specifying
positioning
holes for PCB

1

This drawing is our property.
It can't be reproduced
or communicated without
our written agreement.



Ledil Oy
Tehdaskatu 13
FIN-24100 SALO
Finland

DRAWING TITLE

Datasheet Lisa2-clip16-XP series Assy

DRAWN BY
ch

DATE
20.7.2011

CHECKED BY
sn

DATE
20.7.2011

SIZE A4 DRAWING NUMBER

REV
2

DESIGNED BY
hh

DATE
19.10.2009

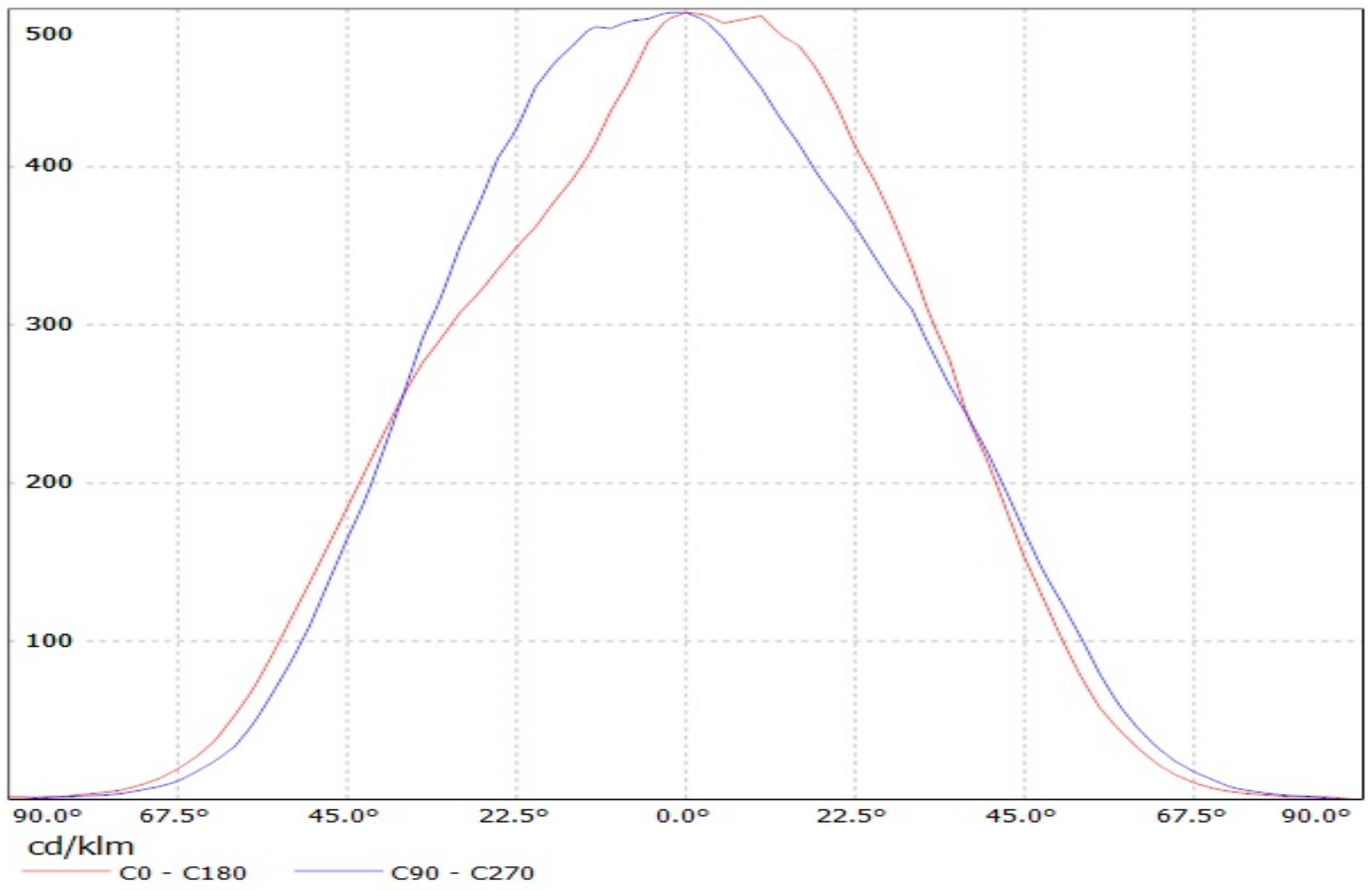
SCALE 4:1 WEIGHT (g)

SHEET 1/1

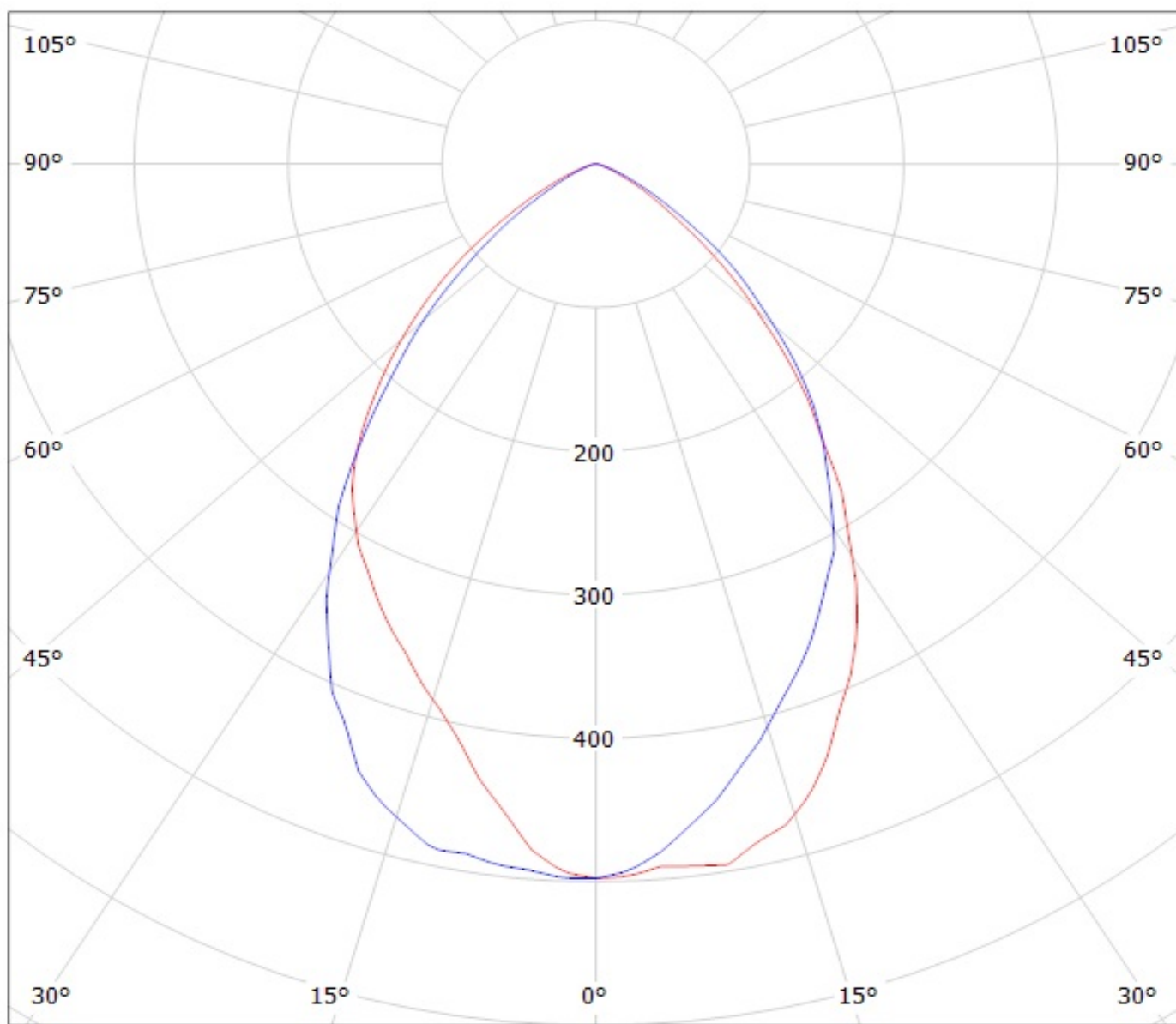
D

A

Luminaire: Ledil Oy FP11431_LISA2-WWW-CLIP (Luxeon Rebel-ES 90lm @ 250mA) Efficiency=73%
Lamps: 1 x Luxeon Rebel-ES 90lm @ 250mA



Luminaire: Ledil Oy FP11431_LISA2-WWW-CLIP (Luxeon Rebel-ES 90lm @ 250mA) Efficiency=73%
Lamps: 1 x Luxeon Rebel-ES 90lm @ 250mA



cd/klm

— C0 - C180

— C90 - C270

NOTE: The typical divergence will be changed by different color, chip size and chip position tolerance. The typical total divergence is the full angle measured where the luminous intensity is half of the peak value.