

ISL4485E

±15kV ESD Protected, 20Mbps, 5V, Low Power, RS-485/RS-422 Transceiver

FN6049
Rev 4.00
Oct 8, 2018

The [ISL4485E](#) is a high speed, BiCMOS 5V powered, single transceiver that meets both the RS-485 and RS-422 standards for balanced communication. Each driver output/receiver input is protected against ±15kV ESD strikes without latch-up. Unlike competitive devices, this device is specified for 10% tolerance supplies (4.5V to 5.5V).

The excellent differential output voltage coupled with high drive-current output stages allow 20Mbps operation over twisted pair networks up to 450ft in length. The 25kΩ receiver input resistance presents a single unit load to the RS-485 bus, allowing up to 32 transceivers on the network.

The receiver (Rx) inputs feature a “fail-safe if open” design, which ensures a logic high Rx output if the Rx inputs are floating.

The driver (Tx) outputs are short-circuit protected, even for voltages exceeding the power supply voltage. Additionally, on-chip thermal shutdown circuitry disables the Tx outputs to prevent damage if power dissipation becomes excessive.

The half duplex configuration multiplexes the Rx inputs and Tx outputs to allow transceivers with Rx and Tx disable functions in 8 Ld packages.

Related Literature

For a full list of related documents, visit our website:

- [ISL4485E](#) product page

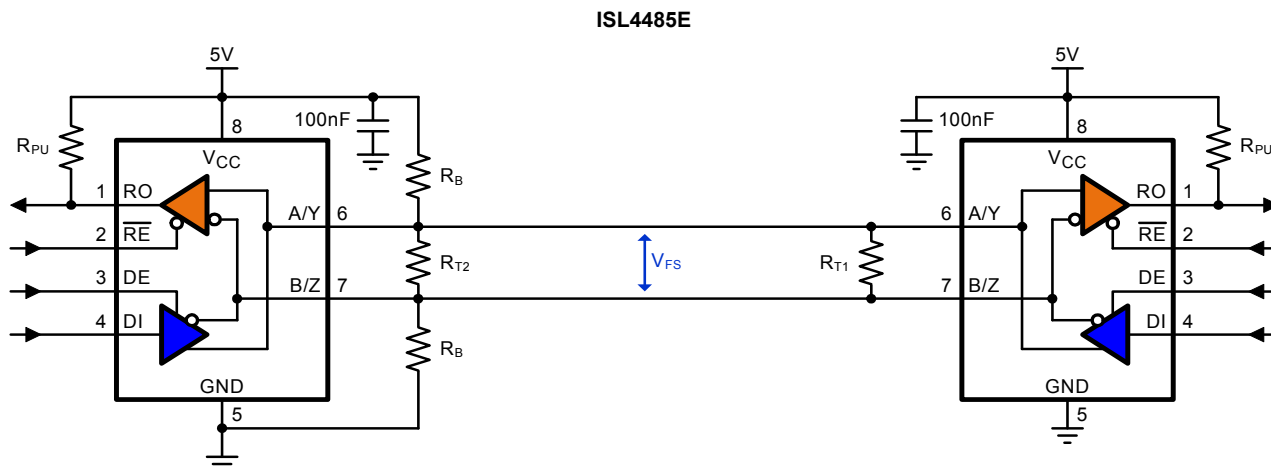
Features

- Pb-free available (RoHS compliant)
- High data rates up to 20Mbps
- RS-485 I/O pin ESD protection ±15kV HBM
- Class 3 ESD level on all other pins >7kV HBM
- Operates from a single +5V supply (10% tolerance)
- 1 unit load allows up to 32 devices on the bus
- Low quiescent current 700µA
- -7V to +12V common-mode input voltage range
- Three state Rx and Tx outputs
- 30ns propagation delays, 2ns skew
- Current limiting and thermal shutdown for driver overload protection

Applications

- SCSI “fast 20” drivers and receivers
- Data loggers
- Security networks
- Building environmental control systems
- Industrial/process control networks
- Level translators

Typical Operating Circuit



To calculate the resistor values, refer to [TB509](#).

Ordering Information

PART NUMBER (Notes 2, 3)	PART MARKING	TEMP. RANGE (°C)	TAPE AND REEL (UNITS) (Note 1)	PACKAGE (RoHS COMPLIANT)	PKG. DWG. #
ISL4485EIBZ	4485EIBZ	-40 to +85	-	8 Ld SOIC (Pb-free)	M8.15
ISL4485EIBZ-T	4485EIBZ	-40 to +85	2.5k	8 Ld SOIC Tape & Reel (Pb-free)	M8.15

NOTE:

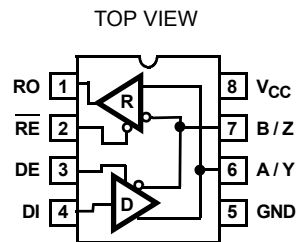
1. Refer to [TB347](#) for details about reel specifications.
2. These Pb-free products employ special Pb-free material sets; molding compounds/die attach materials and 100% matte tin plate termination finish, which are RoHS compliant and compatible with both SnPb and Pb-free soldering operations. Pb-free products are MSL classified at Pb-free peak reflow temperatures that meet or exceed the Pb-free requirements of IPC/JEDEC J STD-020.
3. For Moisture Sensitivity Level (MSL), refer to the [ISL4485E](#) product information page. For more information, refer to [TB363](#).

Truth Tables

TRANSMITTING				
INPUTS			OUTPUTS	
\overline{RE}	DE	DI	B/Z	A/Y
X	1	1	0	1
X	1	0	1	0
X	0	X	High-Z	High-Z

RECEIVING			
INPUTS			OUTPUT
\overline{RE}	DE	A-B	RO
0	0	$\geq +0.2V$	1
0	0	$\leq -0.2V$	0
0	0	Inputs Open	1
1	X	X	High-Z

Pinout



Pin Descriptions

PIN	FUNCTION
RO	Receiver output: RO is high if A > B by at least 0.2V; RO is low if A < B by 0.2V or more; RO = high if A and B are unconnected (floating).
\overline{RE}	Receiver output enable. RO is enabled when \overline{RE} is low; RO is high impedance when \overline{RE} is high.
DE	Driver output enable. The driver outputs, Y and Z, are enabled by bringing DE high. They are high impedance when DE is low.
DI	Driver input. A low on DI forces output Y low and output Z high. Similarly, a high on DI forces output Y high and output Z low.
GND	Ground connection.
A/Y	$\pm 15kV$ HBM ESD protected, noninverting receiver input and noninverting driver output. Pin is an input (A) if DE = 0; pin is an output (Y) if DE = 1.
B/Z	$\pm 15kV$ HBM ESD protected, inverting receiver input and inverting driver output. Pin is an input (B) if DE = 0; pin is an output (Z) if DE = 1.
V _{CC}	System power supply input (4.5V to 5.5V).

Absolute Maximum Ratings

V_{CC} to Ground 7V
 Input Voltages
 DI, DE, \overline{RE} -0.5V to (V_{CC} + 0.5V)
 Input / Output Voltages
 A / Y, B / Z -8V to +12.5V
 RO -0.5V to (V_{CC} + 0.5V)
 Short-Circuit Duration
 Y, Z Continuous
 ESD Rating See "Electrical Specifications"

Thermal Information

Thermal Resistance (Typical, [Note 4](#)) θ_{JA} (°C/W)
 8 Ld SOIC Package 170
 Maximum Junction Temperature (Plastic Package) 150
 Maximum Storage Temperature Range -65°C to +150
 Maximum Lead Temperature (Soldering 10s) (Lead Tips Only) 300

Operating Conditions

Temperature Range
 ISL4485EIBZ -40°C to 85°C

CAUTION: Stresses above those listed in "Absolute Maximum Ratings" can permanently damage the device. This is a stress only rating and operation of the device at these or any other conditions above those indicated in the operational sections of this specification is not implied.

NOTE:

4. θ_{JA} is measured with the component mounted on a low-effective thermal conductivity test board in free air. See [TB379](#) for details.

Electrical Specifications Test Conditions: V_{CC} = 4.5V to 5.5V; unless otherwise specified.
 Typicals are at V_{CC} = 5V, T_A = +25°C, [Note 5](#)

PARAMETER	SYMBOL	TEST CONDITIONS	TEMP (°C)	MIN	TYP	MAX	UNIT	
DC CHARACTERISTICS								
Driver Differential V _{OUT} (no load)	V _{OD1}		Full	-	-	V _{CC}	V	
Driver Differential V _{OUT} (with load)	V _{OD2}	R = 50Ω (RS-422), Figure 1	Full	2	3	-	V	
		R = 27Ω (RS-485), Figure 1	Full	1.5	2.3	5	V	
Change in Magnitude of Driver Differential V _{OUT} for Complementary Output States	ΔV_{OD}	R = 27Ω or 50Ω, Figure 1	Full	-	0.01	0.2	V	
Driver Common-Mode V _{OUT}	V _{OC}	R = 27Ω or 50Ω, Figure 1	Full	-	-	3	V	
Change in Magnitude of Driver Common-Mode V _{OUT} for Complementary Output States	ΔV_{OC}	R = 27Ω or 50Ω, Figure 1	Full	-	0.01	0.2	V	
Logic Input High Voltage	V _{IH}	DE, DI, \overline{RE}	Full	2	-	-	V	
Logic Input Low Voltage	V _{IL}	DE, DI, \overline{RE}	Full	-	-	0.8	V	
Logic Input Current	I _{IN1}	DE, DI, \overline{RE}	Full	-25	-	25	μA	
Input Current (A, B), Note 8	I _{IN2}	DE = 0V, V _{CC} = 0V or 4.5V to 5.5V	V _{IN} = 12V	Full	-	-	1	mA
			V _{IN} = -7V	Full	-	-	-0.8	mA
Receiver Differential Threshold Voltage	V _{TH}	-7V ≤ V _{CM} ≤ 12V	Full	-0.2	-	0.2	V	
Receiver Input Hysteresis	ΔV_{TH}	V _{CM} = 0V	25	-	70	-	mV	
Receiver Output High Voltage	V _{OH}	I _O = -4mA, V _{ID} = 200mV	Full	3.5	4	-	V	
Receiver Output Low Voltage	V _{OL}	I _O = -4mA, V _{ID} = 200mV	Full	-	0.1	0.4	V	
Three-State (High Impedance) Receiver Output Current	I _{OZR}	0.4V ≤ V _O ≤ 2.4V	Full	-	-	±1	μA	
Receiver Input Resistance	R _{IN}	-7V ≤ V _{CM} ≤ 12V	Full	12	25	-	kΩ	
No-Load Supply Current, Note 6	I _{CC}	DI, \overline{RE} = 0V or V _{CC}	DE = V _{CC}	Full	-	700	900	μA
			DE = 0V	Full	-	500	565	μA
Driver Short-Circuit Current, V _O = High or Low	I _{OSD1}	DE = V _{CC} , -7V ≤ V _Y or V _Z ≤ 12V, Note 7	Full	35	-	250	mA	

Electrical Specifications

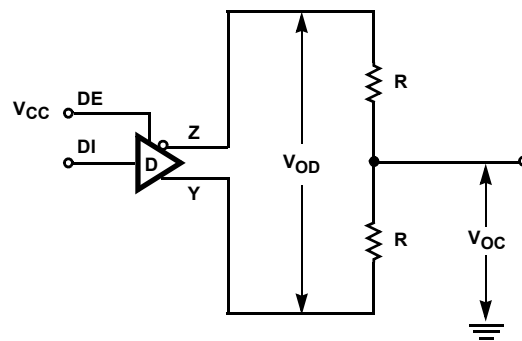
Test Conditions: $V_{CC} = 4.5V$ to $5.5V$; unless otherwise specified.
Typicals are at $V_{CC} = 5V$, $T_A = +25^\circ C$, [Note 5](#) (Continued)

PARAMETER	SYMBOL	TEST CONDITIONS	TEMP ($^\circ C$)	MIN	TYP	MAX	UNIT
Receiver Short-Circuit Current	I_{OSR}	$0V \leq V_O \leq V_{CC}$	Full	7	-	85	mA
SWITCHING CHARACTERISTICS							
Driver Input to Output Delay	t_{PLH}, t_{PHL}	$R_{DIFF} = 54\Omega, C_L = 100pF$, (Figure 2)	Full	15	30	50	ns
Driver Output Skew	t_{SKEW}	$R_{DIFF} = 54\Omega, C_L = 100pF$, (Figure 2)	Full	-	1.3	5	ns
Driver Differential Rise or Fall Time	t_R, t_F	$R_{DIFF} = 54\Omega, C_L = 100pF$, (Figure 2)	Full	3	11	25	ns
Driver Enable to Output High	t_{ZH}	$C_L = 100pF, SW = GND$, (Figure 3)	Full	-	17	30	ns
Driver Enable to Output Low	t_{ZL}	$C_L = 100pF, SW = V_{CC}$, (Figure 3)	Full	-	14	30	ns
Driver Disable from Output High	t_{HZ}	$C_L = 15pF, SW = GND$, (Figure 3)	Full	-	19	30	ns
Driver Disable from Output Low	t_{LZ}	$C_L = 15pF, SW = V_{CC}$, (Figure 3)	Full	-	13	30	ns
Driver Maximum Data Rate	f_{MAXD}	$V_{OD} \geq 1.5V$, (Figure 4, Note 9)	Full	20	-	-	Mbps
Receiver Input to Output Delay	t_{PLH}, t_{PHL}	Figure 5	Full	20	40	70	ns
Receiver Skew $t_{PLH} - t_{PHL}$	t_{SKD}	Figure 5	Full	-	3	10	ns
Receiver Enable to Output High	t_{ZH}	$C_L = 15pF, SW = GND$, (Figure 6)	Full	-	9	25	ns
Receiver Enable to Output Low	t_{ZL}	$C_L = 15pF, SW = V_{CC}$, (Figure 6)	Full	-	9	25	ns
Receiver Disable from Output High	t_{HZ}	$C_L = 15pF, SW = GND$, (Figure 6)	Full	-	9	25	ns
Receiver Disable from Output Low	t_{LZ}	$C_L = 15pF, SW = V_{CC}$, (Figure 6)	Full	-	9	25	ns
Receiver Maximum Data Rate	f_{MAXR}	$C_L = 15pF, V_{ID} \geq 1.5V$ (Note 9)	Full	20	-	-	Mbps
ESD PERFORMANCE							
RS-485 Pins (A/Y, B/Z)		Human Body Model	25	-	± 15	-	kV
All Other Pins			25	-	$> \pm 7$	-	kV

NOTE:

- All currents into device pins are positive; all currents out of device pins are negative. All voltages are referenced to device ground unless otherwise specified.
- Supply current specification is valid for loaded drivers when $DE = 0V$.
- Applies to peak current. See "[Typical Performance Curves](#)" for more information.
- Devices meeting these limits are denoted as "single unit load (1 UL)" transceivers. The RS-485 standard allows up to 32 unit loads on the bus.
- Guaranteed by characterization, but not tested.

Test Circuits and Waveforms

FIGURE 1. DRIVER V_{OD} AND V_{OC}

Test Circuits and Waveforms (Continued)

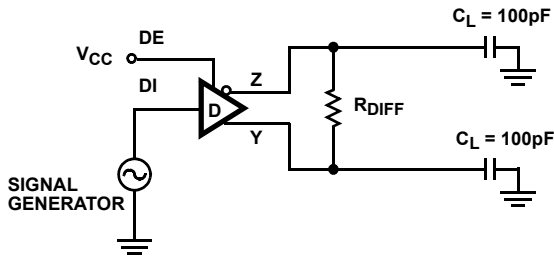
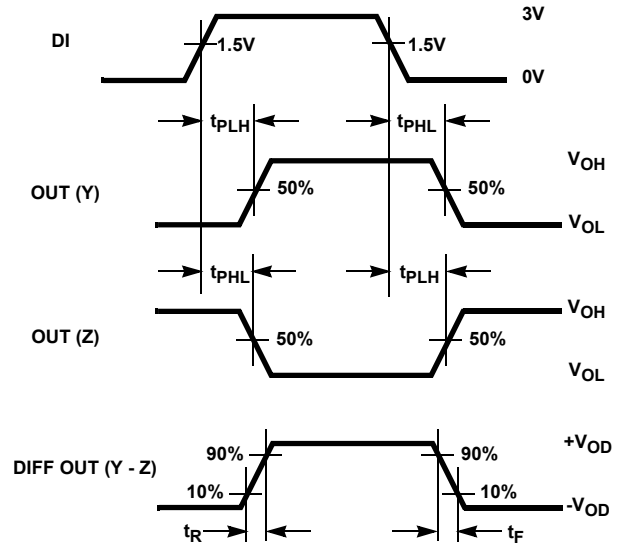


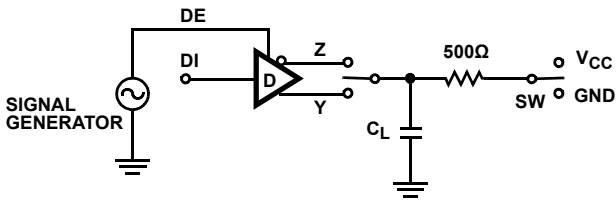
FIGURE 2A. TEST CIRCUIT



$$\text{SKEW} = |\text{CROSSING PT. OF } Y\uparrow \text{ \& } Z\downarrow - \text{CROSSING PT. OF } Y\downarrow \text{ \& } Z\uparrow|$$

FIGURE 2B. MEASUREMENT POINTS

FIGURE 2. DRIVER PROPAGATION DELAY AND DIFFERENTIAL TRANSITION TIMES



PARAMETER	OUTPUT	$\overline{\text{RE}}$	DI	SW	C_L (pF)
t_{HZ}	Y/Z	X	1/0	GND	15
t_{LZ}	Y/Z	X	0/1	V_{CC}	15
t_{ZH}	Y/Z	X	1/0	GND	100
t_{ZL}	Y/Z	X	0/1	V_{CC}	100

FIGURE 3A. TEST CIRCUIT

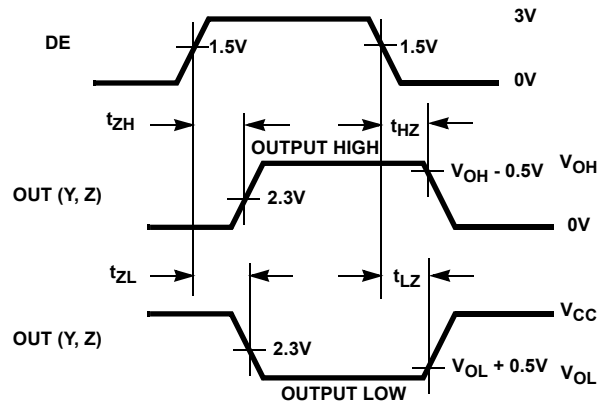


FIGURE 3B. MEASUREMENT POINTS

FIGURE 3. DRIVER ENABLE AND DISABLE TIMES

Test Circuits and Waveforms (Continued)

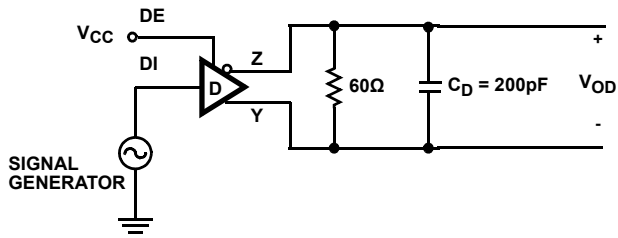


FIGURE 4A. TEST CIRCUIT

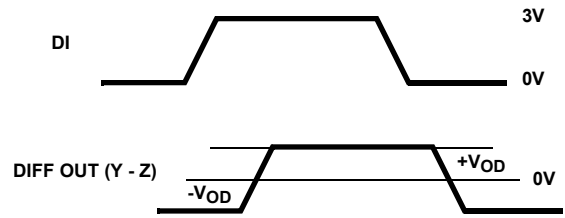


FIGURE 4B. MEASUREMENT POINTS

FIGURE 4. DRIVER DATA RATE

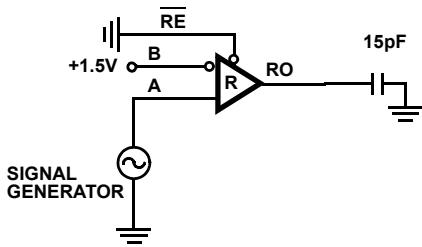


FIGURE 5A. TEST CIRCUIT

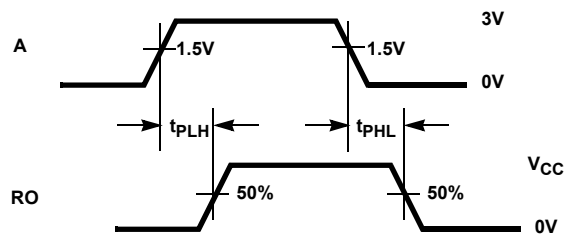


FIGURE 5B. MEASUREMENT POINTS

FIGURE 5. RECEIVER PROPAGATION DELAY

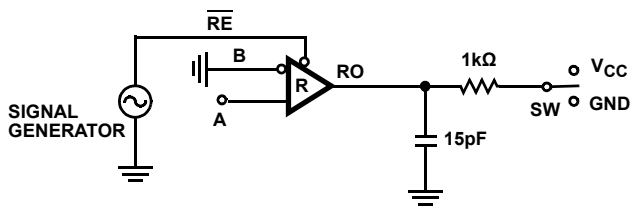


FIGURE 6A. TEST CIRCUIT

PARAMETER	DE	A	SW
t_{HZ}	0	+1.5V	GND
t_{LZ}	0	-1.5V	V_{CC}
t_{ZH}	0	+1.5V	GND
t_{ZL}	0	-1.5V	V_{CC}

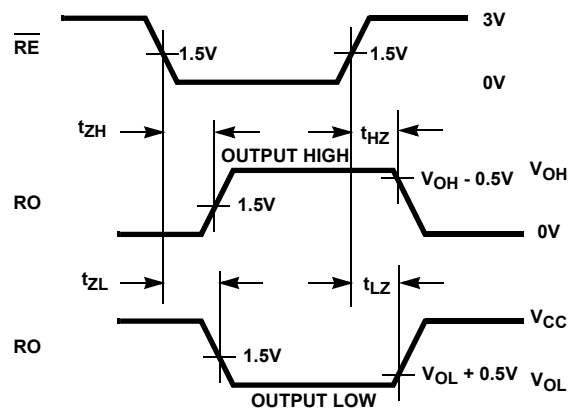


FIGURE 6B. MEASUREMENT POINTS

FIGURE 6. RECEIVER ENABLE AND DISABLE TIMES

Application Information

RS-485 and RS-422 are differential (balanced) data transmission standards for use in long haul or noisy environments. RS-422 is a subset of RS-485, so RS-485 transceivers are also RS-422 compliant. RS-422 is a point-to-multipoint (multidrop) standard that allows only one driver and up to 10 receivers on each bus (assuming one unit load devices). RS-485 is a true multipoint standard that allows up to 32 one unit load devices (any combination of drivers and receivers) on each bus. To allow for multipoint operation, the RS-485 specification requires that drivers must handle bus contention without sustaining any damage.

An important advantage of RS-485 is the extended Common-Mode Range (CMR). The CMR specifies that the driver outputs and receiver inputs withstand signals that range from +12V to -7V. RS-422 and RS-485 are intended for runs as long as 4000ft, so the wide CMR is necessary to handle ground potential differences and voltages induced in the cable by external fields.

Receiver Features

The ISL4485E uses a differential input receiver for maximum noise immunity and common-mode rejection. Input sensitivity is $\pm 200\text{mV}$, as required by the RS-422 and RS-485 specifications.

Receiver input impedance surpasses the RS-422 specification of $4\text{k}\Omega$ and meets the RS-485 unit load requirement of $12\text{k}\Omega$ minimum.

Receiver inputs function with common-mode voltages as great as $\pm 7\text{V}$ outside the power supplies (+12V and -7V), making them ideal for long networks in which induced voltages are a realistic concern.

The receiver includes a “fail-safe if open” function that guarantees a high level receiver output if the receiver inputs are unconnected (floating). The output is three-statable using the active low $\overline{\text{RE}}$ input, and the receiver meets the 20Mbps data rate.

Driver Features

The RS-485/422 driver is a differential output device that delivers at least 1.5V across a 54Ω load (RS-485) and at least 2V across a 100Ω load (RS-422). The ISL4485E driver features low propagation delay skew to maximize bit width and to minimize EMI, and the outputs are three-statable using the active high DE input.

The ISL4485E driver outputs are not slew rate limited, so faster output transition times allow data rates up to 20Mbps.

Data Rate, Cables, and Terminations

Twisted pair cable is the cable of choice for RS-485/422 networks. Twisted pair cables pick up noise and other electromagnetically induced voltages as common-mode signals that are effectively rejected by the differential receivers in these ICs.

RS-485/422 are intended for network lengths up to 4000ft, but the maximum transmission length decreases as the data rate increases. According to guidelines in the RS-422 specification, a 20Mbps network should be limited to less than 50ft of 24 AWG twisted pair. However, the ISL4485E's large differential voltage swing, fast transition times, and high drive-current output stages allow operation at 20Mbps in RS-485/422 networks as long as 450ft. [Figure 7 on page 8](#) details ISL4485E operation at 20Mbps driving 300ft of CAT 5 cable terminated in 120Ω at the driver and the receiver (that is, double terminated). The acceptance criteria for this test was the ability of the driver to deliver a 1.5V differential signal to the receiver at the end of the cable ($|A-B| \geq 1.5\text{V}$). If a more liberal acceptance criteria is used, the distance can be further extended. For example, [Figure 8 on page 8](#) illustrates the performance in the same configuration but with a cable length of 450ft and an acceptance criteria of no more than 6dB attenuation across the cable ($|A-B| = |Y-Z|/2$).

Driver differential output voltage decreases with increasing differential load capacitance, so maintaining a 1.5V differential output requires a data rate reduction as shown in [Figure 9 on page 8](#).

To minimize reflections, proper termination is imperative when using this 20Mbps device. In point-to-point or point-to-multipoint (single driver on bus) networks, terminate the main cable in its characteristic impedance (typically 120Ω) at the end farthest from the driver. In multi-receiver applications, keep stubs connecting receivers to the main cable as short as possible (preferably less than 12in). Multipoint (multi-driver) systems require that the main cable be terminated in its characteristic impedance at both ends. Keep stubs connecting a transceiver to the main cable as short as possible.

Built-In Driver Overload Protection

The RS-485 specification requires that drivers survive worst case bus contentions undamaged. The ISL4485E device meets this requirement with driver output short-circuit current limits and on-chip thermal shutdown circuitry.

The driver output stages incorporate short-circuit current limiting circuitry, ensuring that the output current never exceeds the RS-485 specification even at the common-mode voltage range extremes. These devices also use a foldback circuit that reduces the short-circuit current (and the power dissipation) when the contending voltage exceeds either supply.

In the event of a major short-circuit condition, this device's thermal shutdown feature disables the drivers whenever the die temperature becomes excessive. This eliminates the power dissipation, allowing the die to cool. The drivers automatically reenables after the die temperature drops about 15°C . If the condition persists, the thermal shutdown/reenable cycle repeats until the fault is cleared. Receivers stay operational during thermal shutdown.

ESD Protection

All pins on these interface devices include class 3 Human Body Model (HBM) ESD protection structures, but the RS-485 pins (driver outputs and receiver inputs) incorporate advanced structures allowing them to survive ESD events in excess of $\pm 15\text{kV}$ HBM. The RS-485 pins are particularly vulnerable to ESD damage because they typically connect to an exposed port on the exterior of the finished product. Simply touching the port pins or connecting a cable can cause an ESD event that destroys unprotected ICs. The ISL4485E ESD structures protect the device whether or not it is powered up, protect without allowing any latchup mechanism to activate, and without degrading the RS-485 CMR of -7V to $+12\text{V}$. This built-in ESD protection eliminates the need for board level

protection structures (for example, transient suppression diodes) and the associated undesirable capacitive load that they cause.

Human Body Model Testing

This test method emulates the ESD event delivered to an IC during human handling. The tester delivers the charge stored on a 100pF capacitor through a $1.5\text{k}\Omega$ current limiting resistor into the pin under test. The HBM method determines an IC's ability to withstand the ESD events typically present during handling and manufacturing.

The RS-485 pin survivability on this high ESD device has been characterized to be in excess of $\pm 15\text{kV}$, for discharges to GND.

Typical Performance Curves $V_{CC} = 5\text{V}$, $T_A = 25^\circ\text{C}$, Unless Otherwise Specified

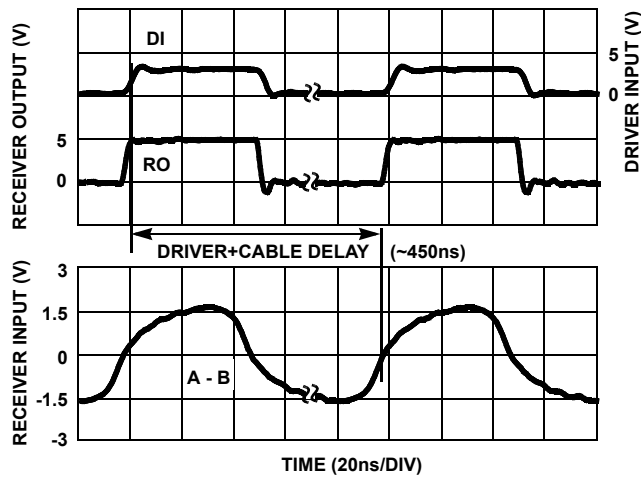


FIGURE 7. DRIVER AND RECEIVER WAVEFORMS DRIVING 300FT OF CABLE (DOUBLE TERMINATED)

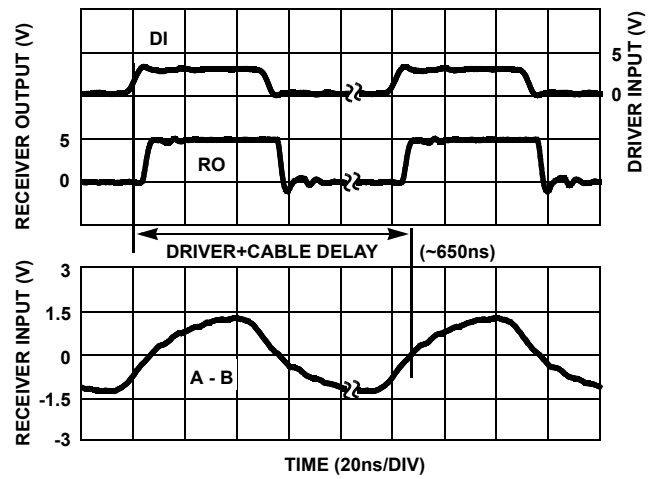


FIGURE 8. DRIVER AND RECEIVER WAVEFORMS DRIVING 450FT OF CABLE (DOUBLE TERMINATED)

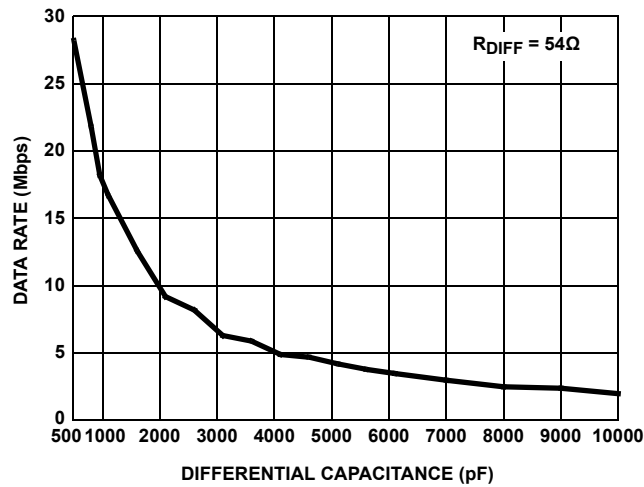


FIGURE 9. DATA RATE vs DIFFERENTIAL CAPACITANCE

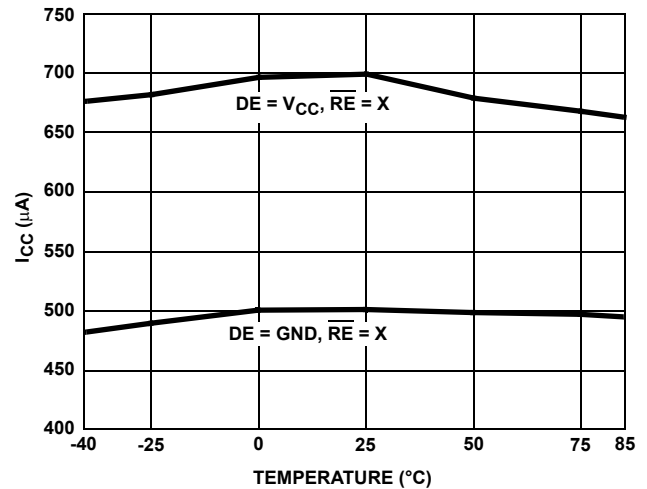


FIGURE 10. SUPPLY CURRENT vs TEMPERATURE

Typical Performance Curves (Continued) $V_{CC} = 5V$, $T_A = 25^\circ C$, Unless Otherwise Specified

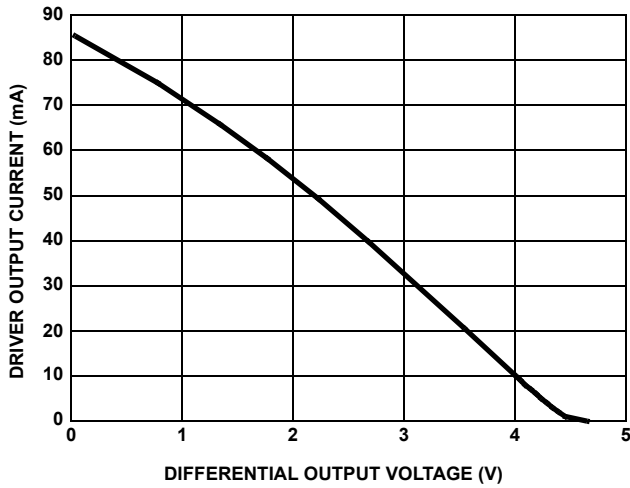


FIGURE 11. DRIVER OUTPUT CURRENT vs DIFFERENTIAL OUTPUT VOLTAGE

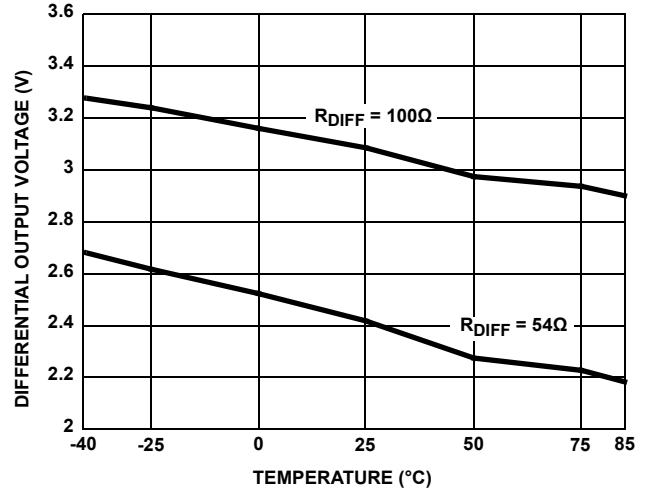


FIGURE 12. DRIVER DIFFERENTIAL OUTPUT VOLTAGE vs TEMPERATURE

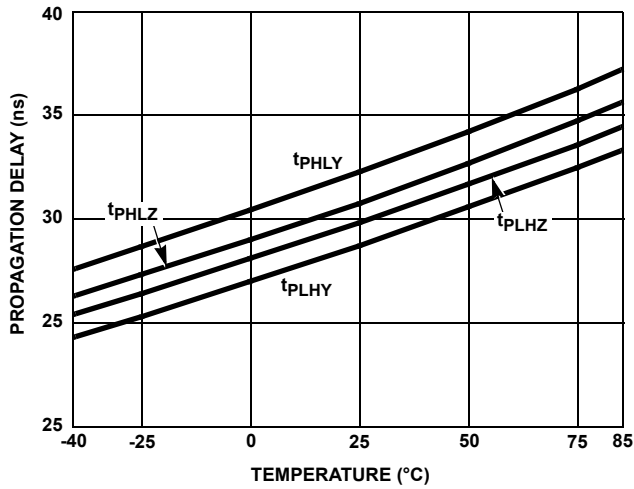


FIGURE 13. DRIVER PROPAGATION DELAY vs TEMPERATURE

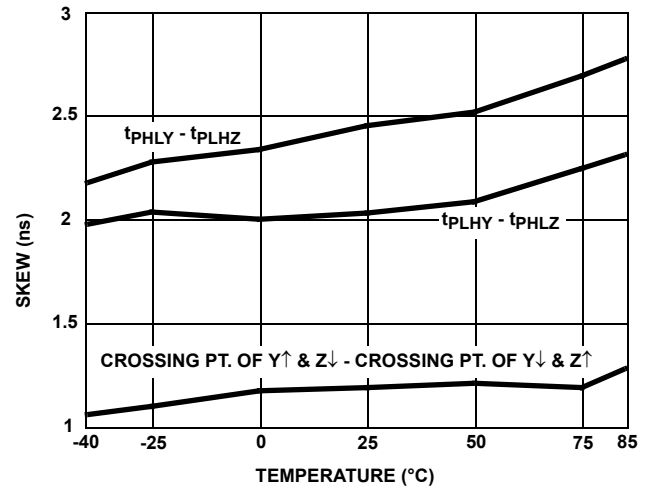


FIGURE 14. DRIVER SKEW vs TEMPERATURE

Typical Performance Curves (Continued) $V_{CC} = 5V$, $T_A = 25^\circ C$, Unless Otherwise Specified

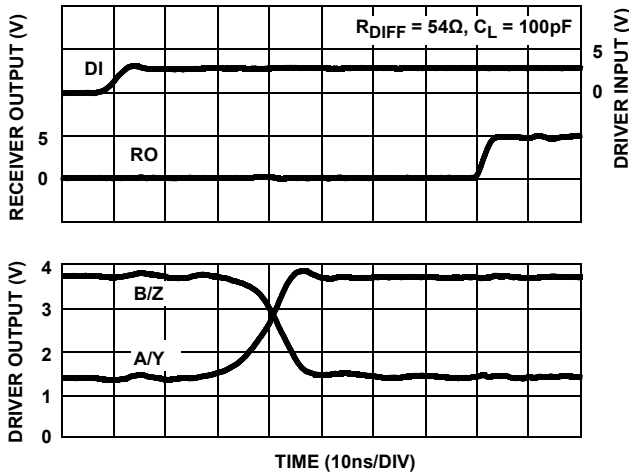


FIGURE 15. DRIVER AND RECEIVER WAVEFORMS, LOW TO HIGH

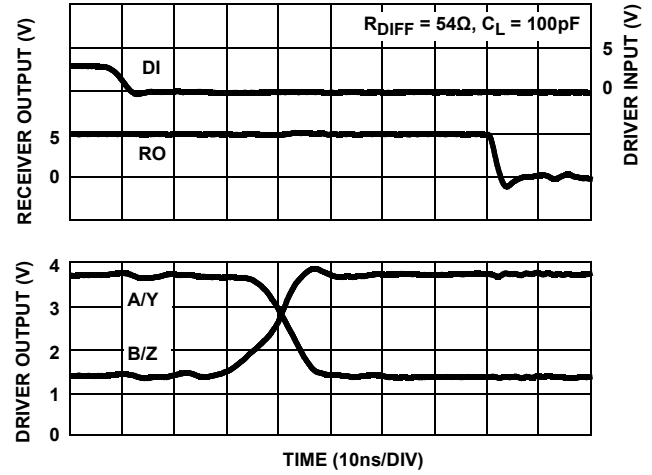


FIGURE 16. DRIVER AND RECEIVER WAVEFORMS, HIGH TO LOW

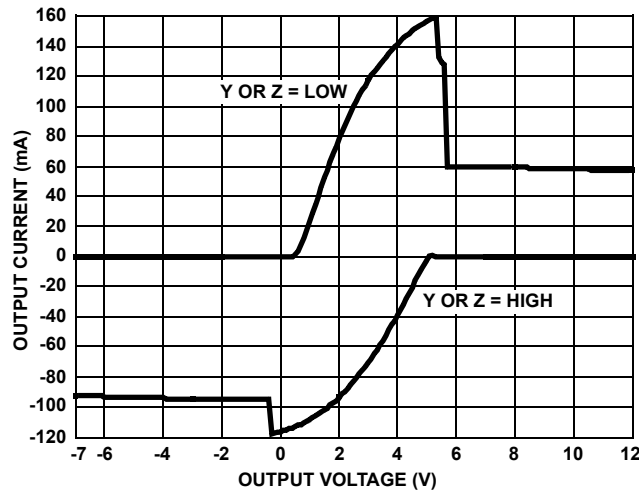
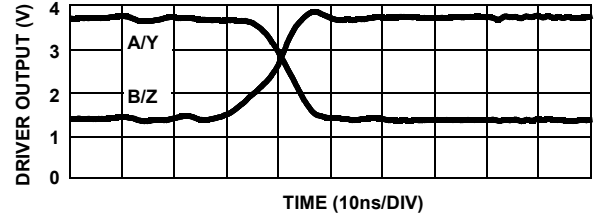
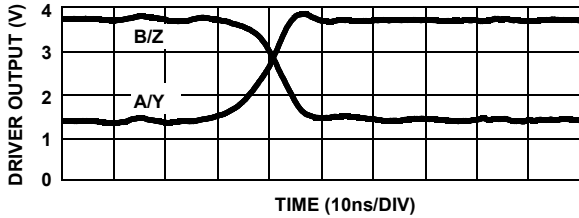


FIGURE 17. DRIVER OUTPUT CURRENT vs SHORT-CIRCUIT VOLTAGE

Die Characteristics

SUBSTRATE POTENTIAL (POWERED UP):

GND

TRANSISTOR COUNT:

518

PROCESS:

Si Gate CMOS

Revision History The revision history provided is for informational purposes only and is believed to be accurate, but not warranted. Please visit our website to make sure you have the latest revision.

DATE	REVISION	CHANGE
Oct 8, 2018	FN6049.4	<p>Updated typical operating circuit on page 1. Added Related Literature section to page 1. Removed ISL4485EIB and ISL4485EIB-T from ordering information table on page 2. Added Tape and Reel column and Notes 1, 2, and 3 to ordering information table on page 2. Removed Intersil copyright information and added Renesas disclaimer. Added Revision History to page 11. Updated package outline drawing from revision 0 to revision 4. Changes between revisions:</p> <ul style="list-style-type: none"> -Revision 1: Initial revision -Revision 1 to revision 2: Updated to new package outline drawing format by removing table, moving dimensions onto drawing, and adding land pattern -Revision 2 to revision 3: Changed the following values in Typical Recommended Landing Pattern: <ul style="list-style-type: none"> 2.41(0.095) to 2.20 (0.087) 0.76(0.030) to 0.60(0.023) 0.200 to 5.20(0.205) -Revision 3 to revision 4: Changed text in Note 1 from "1982" to "1994"

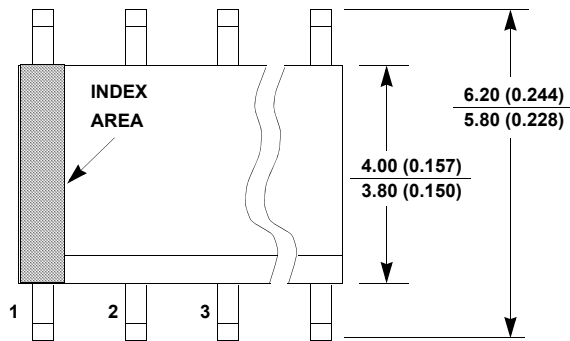
Package Outline Drawing

For the most recent package outline drawing, see [M8.15](#).

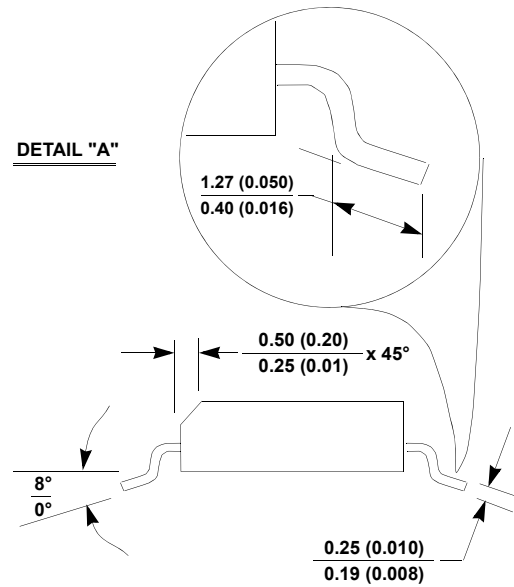
M8.15

8 LEAD NARROW BODY SMALL OUTLINE PLASTIC PACKAGE

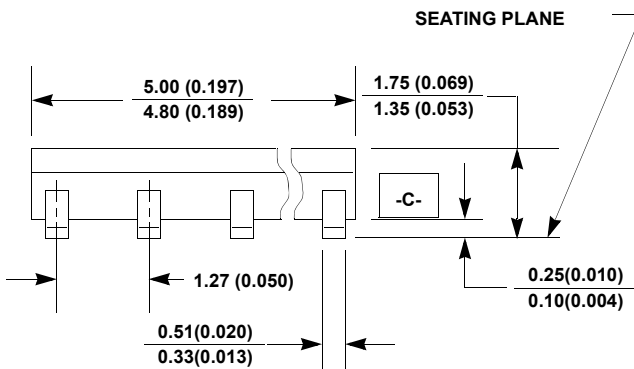
Rev 4, 1/12



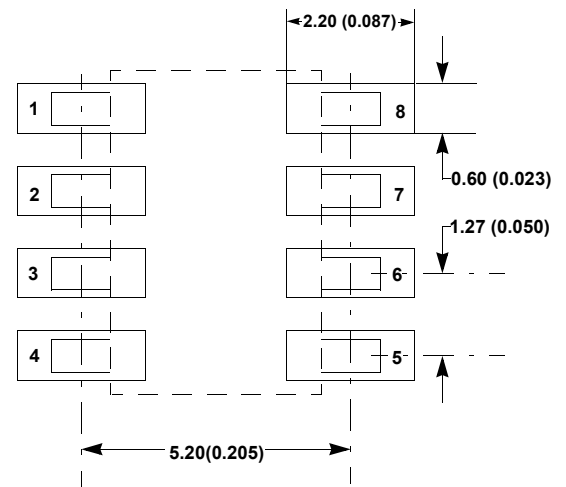
TOP VIEW



SIDE VIEW "B"



SIDE VIEW "A"



TYPICAL RECOMMENDED LAND PATTERN

NOTES:

10. Dimensioning and tolerancing per ANSI Y14.5M-1994.
11. Package length does not include mold flash, protrusions or gate burrs. Mold flash, protrusion and gate burrs shall not exceed 0.15mm (0.006 inch) per side.
12. Package width does not include interlead flash or protrusions. Interlead flash and protrusions shall not exceed 0.25mm (0.010 inch) per side.
13. The chamfer on the body is optional. If it is not present, a visual index feature must be located within the crosshatched area.
14. Terminal numbers are shown for reference only.
15. The lead width as measured 0.36mm (0.014 inch) or greater above the seating plane, shall not exceed a maximum value of 0.61mm (0.024 inch).
16. Controlling dimension: MILLIMETER. Converted inch dimensions are not necessarily exact.
17. This outline conforms to JEDEC publication MS-012-AA ISSUE C.

Notice

1. Descriptions of circuits, software and other related information in this document are provided only to illustrate the operation of semiconductor products and application examples. You are fully responsible for the incorporation or any other use of the circuits, software, and information in the design of your product or system. Renesas Electronics disclaims any and all liability for any losses and damages incurred by you or third parties arising from the use of these circuits, software, or information.
2. Renesas Electronics hereby expressly disclaims any warranties against and liability for infringement or any other claims involving patents, copyrights, or other intellectual property rights of third parties, by or arising from the use of Renesas Electronics products or technical information described in this document, including but not limited to, the product data, drawings, charts, programs, algorithms, and application examples.
3. No license, express, implied or otherwise, is granted hereby under any patents, copyrights or other intellectual property rights of Renesas Electronics or others.
4. You shall not alter, modify, copy, or reverse engineer any Renesas Electronics product, whether in whole or in part. Renesas Electronics disclaims any and all liability for any losses or damages incurred by you or third parties arising from such alteration, modification, copying or reverse engineering.
5. Renesas Electronics products are classified according to the following two quality grades: "Standard" and "High Quality". The intended applications for each Renesas Electronics product depends on the product's quality grade, as indicated below.
"Standard": Computers; office equipment; communications equipment; test and measurement equipment; audio and visual equipment; home electronic appliances; machine tools; personal electronic equipment; industrial robots; etc.
"High Quality": Transportation equipment (automobiles, trains, ships, etc.); traffic control (traffic lights); large-scale communication equipment; key financial terminal systems; safety control equipment; etc.
Unless expressly designated as a high reliability product or a product for harsh environments in a Renesas Electronics data sheet or other Renesas Electronics document, Renesas Electronics products are not intended or authorized for use in products or systems that may pose a direct threat to human life or bodily injury (artificial life support devices or systems; surgical implantations; etc.), or may cause serious property damage (space system; undersea repeaters; nuclear power control systems; aircraft control systems; key plant systems; military equipment; etc.). Renesas Electronics disclaims any and all liability for any damages or losses incurred by you or any third parties arising from the use of any Renesas Electronics product that is inconsistent with any Renesas Electronics data sheet, user's manual or other Renesas Electronics document.
6. When using Renesas Electronics products, refer to the latest product information (data sheets, user's manuals, application notes, "General Notes for Handling and Using Semiconductor Devices" in the reliability handbook, etc.), and ensure that usage conditions are within the ranges specified by Renesas Electronics with respect to maximum ratings, operating power supply voltage range, heat dissipation characteristics, installation, etc. Renesas Electronics disclaims any and all liability for any malfunctions, failure or accident arising out of the use of Renesas Electronics products outside of such specified ranges.
7. Although Renesas Electronics endeavors to improve the quality and reliability of Renesas Electronics products, semiconductor products have specific characteristics, such as the occurrence of failure at a certain rate and malfunctions under certain use conditions. Unless designated as a high reliability product or a product for harsh environments in a Renesas Electronics data sheet or other Renesas Electronics document, Renesas Electronics products are not subject to radiation resistance design. You are responsible for implementing safety measures to guard against the possibility of bodily injury, injury or damage caused by fire, and/or danger to the public in the event of a failure or malfunction of Renesas Electronics products, such as safety design for hardware and software, including but not limited to redundancy, fire control and malfunction prevention, appropriate treatment for aging degradation or any other appropriate measures. Because the evaluation of microcomputer software alone is very difficult and impractical, you are responsible for evaluating the safety of the final products or systems manufactured by you.
8. Please contact a Renesas Electronics sales office for details as to environmental matters such as the environmental compatibility of each Renesas Electronics product. You are responsible for carefully and sufficiently investigating applicable laws and regulations that regulate the inclusion or use of controlled substances, including without limitation, the EU RoHS Directive, and using Renesas Electronics products in compliance with all these applicable laws and regulations. Renesas Electronics disclaims any and all liability for damages or losses occurring as a result of your noncompliance with applicable laws and regulations.
9. Renesas Electronics products and technologies shall not be used for or incorporated into any products or systems whose manufacture, use, or sale is prohibited under any applicable domestic or foreign laws or regulations. You shall comply with any applicable export control laws and regulations promulgated and administered by the governments of any countries asserting jurisdiction over the parties or transactions.
10. It is the responsibility of the buyer or distributor of Renesas Electronics products, or any other party who distributes, disposes of, or otherwise sells or transfers the product to a third party, to notify such third party in advance of the contents and conditions set forth in this document.
11. This document shall not be reprinted, reproduced or duplicated in any form, in whole or in part, without prior written consent of Renesas Electronics.
12. Please contact a Renesas Electronics sales office if you have any questions regarding the information contained in this document or Renesas Electronics products.

(Note 1) "Renesas Electronics" as used in this document means Renesas Electronics Corporation and also includes its directly or indirectly controlled subsidiaries.

(Note 2) "Renesas Electronics product(s)" means any product developed or manufactured by or for Renesas Electronics.

(Rev.4.0-1 November 2017)



SALES OFFICES

Renesas Electronics Corporation

<http://www.renesas.com>

Refer to "<http://www.renesas.com/>" for the latest and detailed information.

Renesas Electronics Corporation

TOYOSU FORESIA, 3-2-24 Toyosu, Koto-ku, Tokyo 135-0061, Japan

Renesas Electronics America Inc.

1001 Murphy Ranch Road, Milpitas, CA 95035, U.S.A.
Tel: +1-408-432-8888, Fax: +1-408-434-5351

Renesas Electronics Canada Limited

9251 Yonge Street, Suite 8309 Richmond Hill, Ontario Canada L4C 9T3
Tel: +1-905-237-2004

Renesas Electronics Europe Limited

Dukes Meadow, Millboard Road, Bourne End, Buckinghamshire, SL8 5FH, U.K
Tel: +44-1628-651-700

Renesas Electronics Europe GmbH

Arcadiastrasse 10, 40472 Düsseldorf, Germany
Tel: +49-211-6503-0, Fax: +49-211-6503-1327

Renesas Electronics (China) Co., Ltd.

Room 1709 Quantum Plaza, No.27 ZhichunLu, Haidian District, Beijing, 100191 P. R. China
Tel: +86-10-8235-1155, Fax: +86-10-8235-7679

Renesas Electronics (Shanghai) Co., Ltd.

Unit 301, Tower A, Central Towers, 555 Langao Road, Putuo District, Shanghai, 200333 P. R. China
Tel: +86-21-2226-0888, Fax: +86-21-2226-0999

Renesas Electronics Hong Kong Limited

Unit 1601-1611, 16/F., Tower 2, Grand Century Place, 193 Prince Edward Road West, Mongkok, Kowloon, Hong Kong
Tel: +852-2265-6688, Fax: +852 2886-9022

Renesas Electronics Taiwan Co., Ltd.

13F, No. 363, Fu Shing North Road, Taipei 10543, Taiwan
Tel: +886-2-8175-9600, Fax: +886 2-8175-9670

Renesas Electronics Singapore Pte. Ltd.

80 Bendemeer Road, Unit #06-02 Hyflux Innovation Centre, Singapore 339949
Tel: +65-6213-0200, Fax: +65-6213-0300

Renesas Electronics Malaysia Sdn.Bhd.

Unit 1207, Block B, Menara Amcorp, Amcorp Trade Centre, No. 18, Jin Persiaran Barat, 46050 Petaling Jaya, Selangor Darul Ehsan, Malaysia
Tel: +60-3-7955-9390, Fax: +60-3-7955-9510

Renesas Electronics India Pvt. Ltd.

No.777C, 100 Feet Road, HAL 2nd Stage, Indiranagar, Bangalore 560 038, India
Tel: +91-80-67208700, Fax: +91-80-67208777

Renesas Electronics Korea Co., Ltd.

17F, KAMCO Yangjae Tower, 262, Gangnam-daero, Gangnam-gu, Seoul, 06265 Korea
Tel: +82-2-558-3737, Fax: +82-2-558-5338