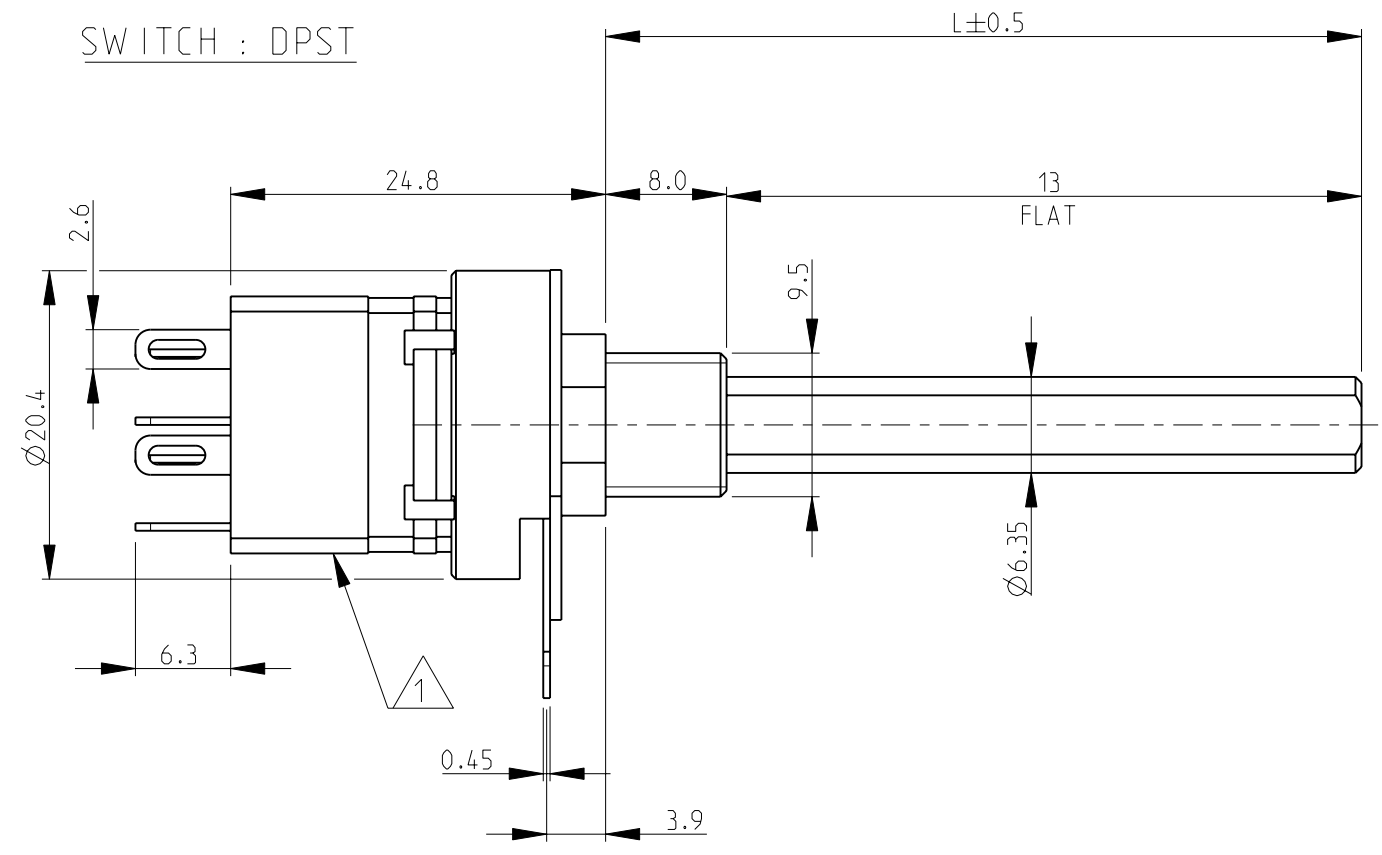


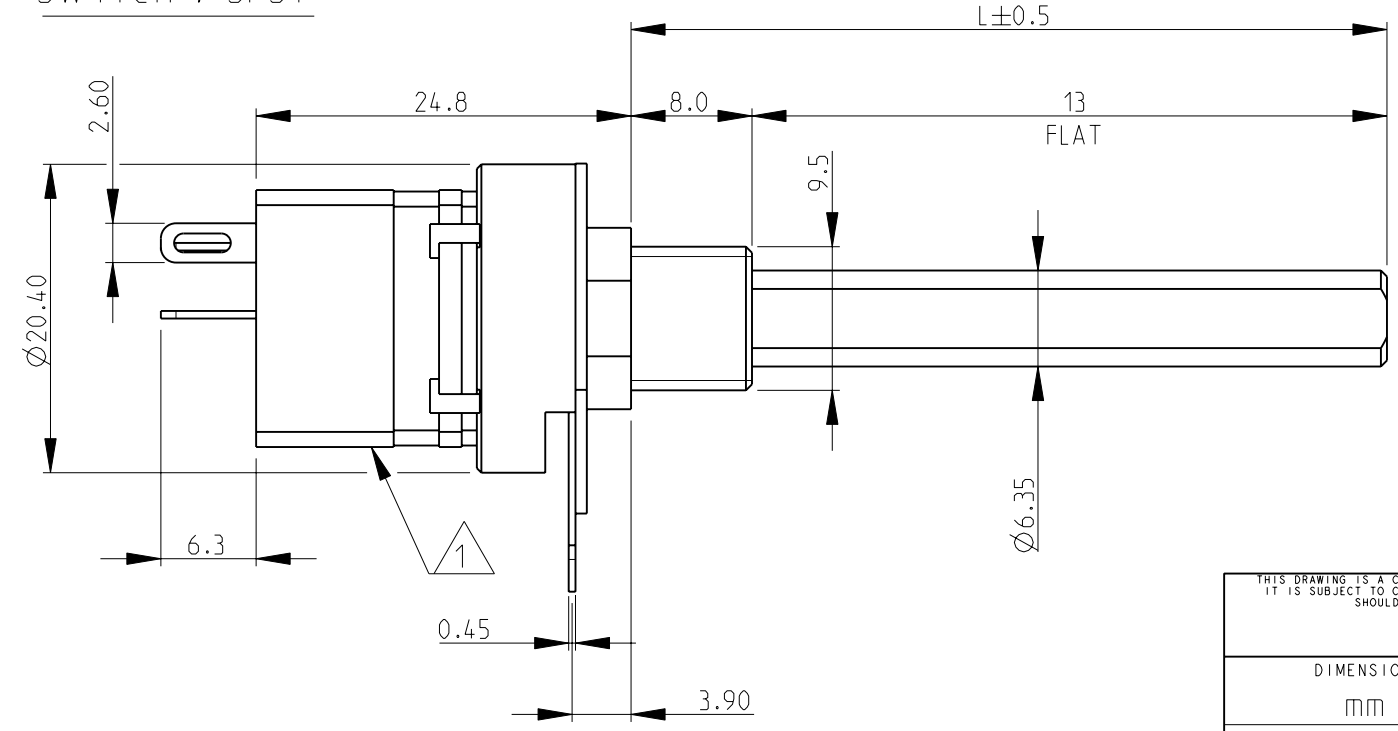
THIS DRAWING IS UNPUBLISHED. RELEASED FOR PUBLICATION 2008
 © COPYRIGHT 2008 BY TYCO ELECTRONICS CORPORATION. ALL RIGHTS RESERVED.

LOC		DIST		REVISIONS			
P	LTR	DESCRIPTION	DATE	DWN	APVD		
E	B	BA	NEW RELEASE	30-Jul-08	SM	St.P	

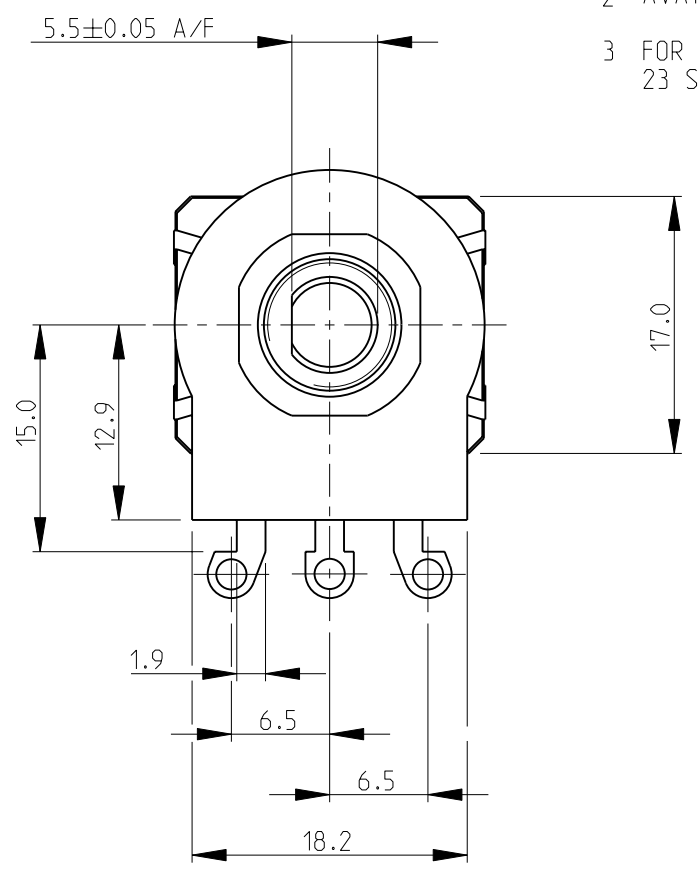
SWITCH : DPST



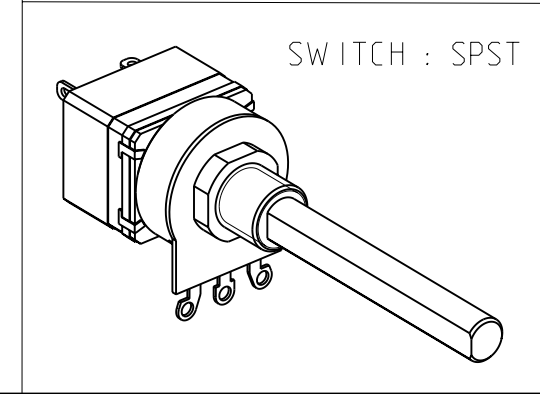
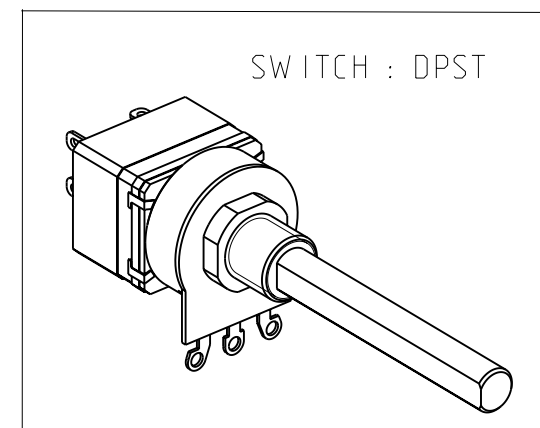
SWITCH : SPST



- 1 SWITCH TYPE: DPST (4A) SHOWN. TYPE SPST (4A) ALSO AVAILABLE
- 2 AVAILABLE IN DIFFERENT SHAFT LENGTHS (L) SEE DATA SHEET
- 3 FOR FURTHER INFORMATION SEE DATA SHEET FOR 23 SERIES-SPINDLE OPERATED POTENTIOMETER



RoHS Compliant



THIS DRAWING IS A CONTROLLED DOCUMENT FOR TYCO ELECTRONICS CORPORATION IT IS SUBJECT TO CHANGE AND THE CONTROLLING ENGINEERING ORGANIZATION SHOULD BE CONTACTED FOR THE LATEST REVISION.		DWN	SUBHASH.M	30-Jul-08	Tyco Electronics Corporation Dorcan, Swindon, SN3 5HH							
DIMENSIONS: mm 		CHK	PRAKASH.S	30-Jul-08				NAME		SPINDLE OPERATED POTENTIOMETER SERIES 23E		
		APVD	STEPHEN.P	30-Jul-08				SIZE	CAGE CODE	DRAWING NO	RESTRICTED TO	
TOLERANCES UNLESS OTHERWISE SPECIFIED:		PRODUCT SPEC	-			A3	00779	1624213	-			
0 PLC ±0.5		APPLICATION SPEC	-			SCALE		2:1	SHEET	1 OF 1	REV	BA
1 PLC ±0.2		WEIGHT	-			CUSTOMER DRAWING						
2 PLC ±0.1												
3 PLC ±												
4 PLC ±												
ANGLES ±5°												
MATERIAL -												
FINISH -												